



US00D633233S

(12) **United States Design Patent**
DeBrunner

(10) **Patent No.:** **US D633,233 S**

(45) **Date of Patent:** **** Feb. 22, 2011**

(54) **TENT LIGHT**

(75) Inventor: **Daniel E. DeBrunner**, Wichita, KS (US)

(73) Assignee: **The Coleman Company, Inc.**, Wichita, KS (US)

(**) Term: **14 Years**

(21) Appl. No.: **29/354,731**

(22) Filed: **Jan. 28, 2010**

(51) **LOC (9) Cl.** **26-05**

(52) **U.S. Cl.** **D26/24**

(58) **Field of Classification Search** D26/24,
D26/26, 37, 46, 72, 85, 87, 88, 89, 93, 104,
D26/113, 118, 1, 2, 3, 28, 38, 60; D10/111,
D10/114; D23/366, 367, 368; D13/107,
D13/108, 180, 182; 362/640, 641, 642, 643,
362/644, 652, 653, 655, 657, 249.02, 311.02,
362/800, 806, 555, 567, 116, 122, 123, 145,
362/147, 157, 183, 194, 195, 200

See application file for complete search history.

(56) **References Cited**

U.S. PATENT DOCUMENTS

D85,517 S *	11/1931	Ecker	D26/24
D224,556 S *	8/1972	Chan	D26/44
D269,210 S *	5/1983	Cutlip et al.	D26/28
D468,050 S *	12/2002	Poon	D26/104
D516,236 S *	2/2006	Yeh	D26/89

D558,369 S *	12/2007	O'Hern	D26/42
D567,417 S *	4/2008	Wu et al.	D26/37
D571,493 S *	6/2008	Li	D26/40
D584,846 S *	1/2009	Maxik et al.	D26/85
D584,847 S *	1/2009	Gaskins	D26/85
D593,236 S *	5/2009	Ng et al.	D26/37
D603,997 S *	11/2009	Shiu	D26/72
2005/0213319 A1 *	9/2005	Halasz	362/177

* cited by examiner

Primary Examiner—Angela J Lee

(74) *Attorney, Agent, or Firm*—Kelly S. Elsea

(57) **CLAIM**

The ornamental design for a tent light, as shown and described.

DESCRIPTION

FIG. 1 is a front side perspective view of my tent light;
FIG. 2 is a front elevation view thereof;
FIG. 3 is a rear elevation view thereof;
FIG. 4 is a left side elevation view thereof;
FIG. 5 is a right side elevation view thereof;
FIG. 6 is a top plan view thereof; and,
FIG. 7 is a bottom plan view thereof.

The broken line showing is for illustrative purposes only and forms no part of the claimed design.

1 Claim, 3 Drawing Sheets

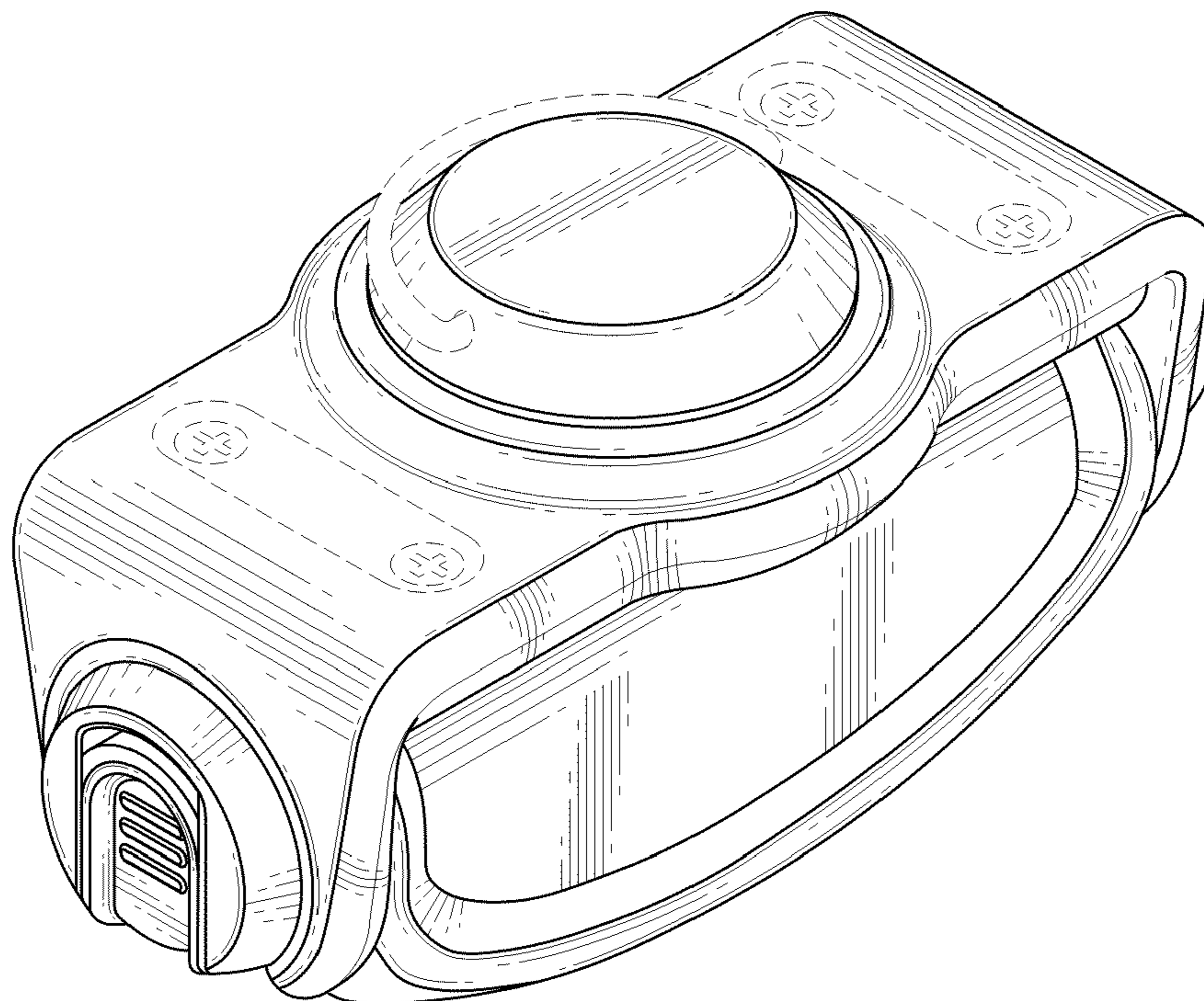


FIG. 1

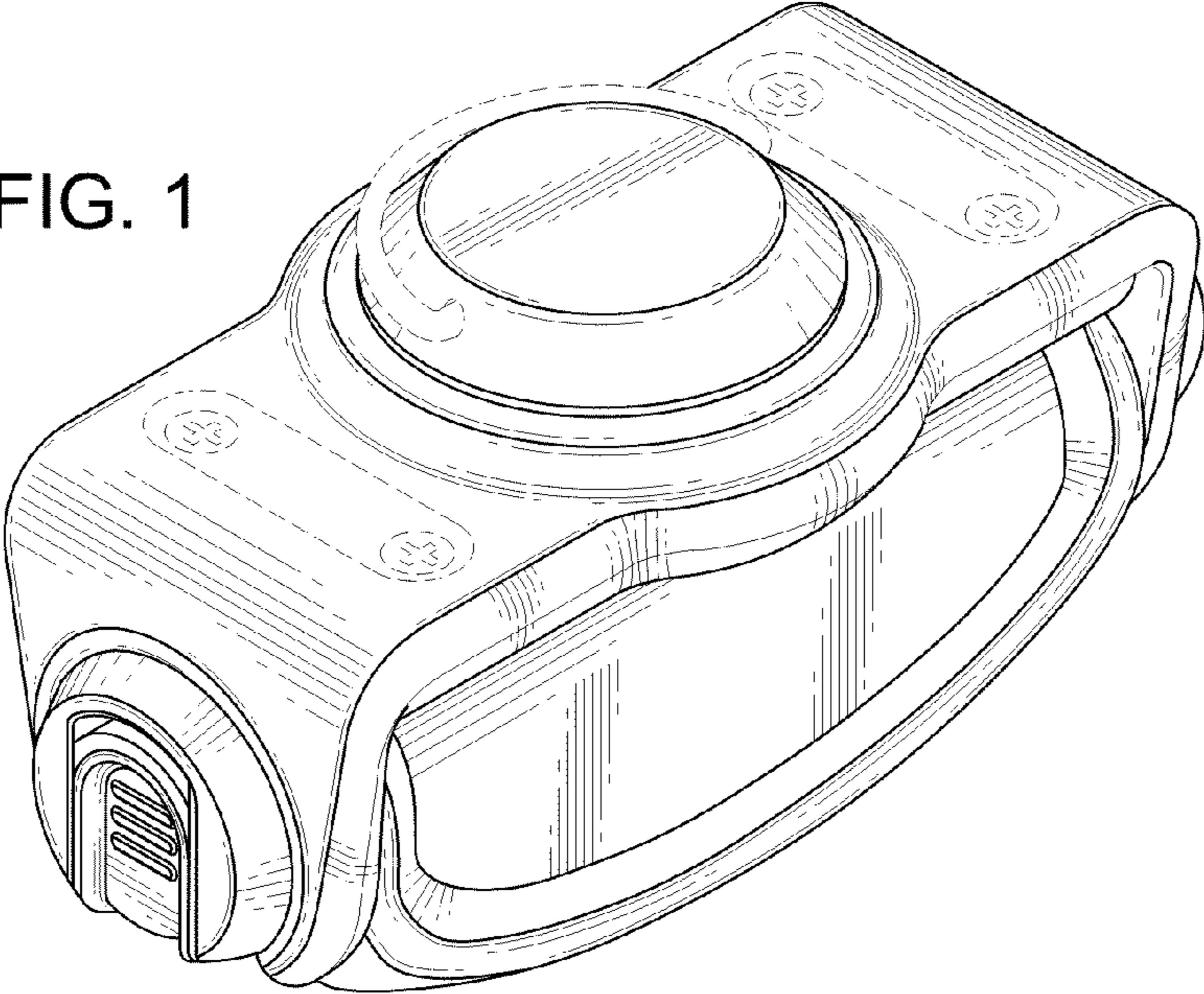


FIG. 2

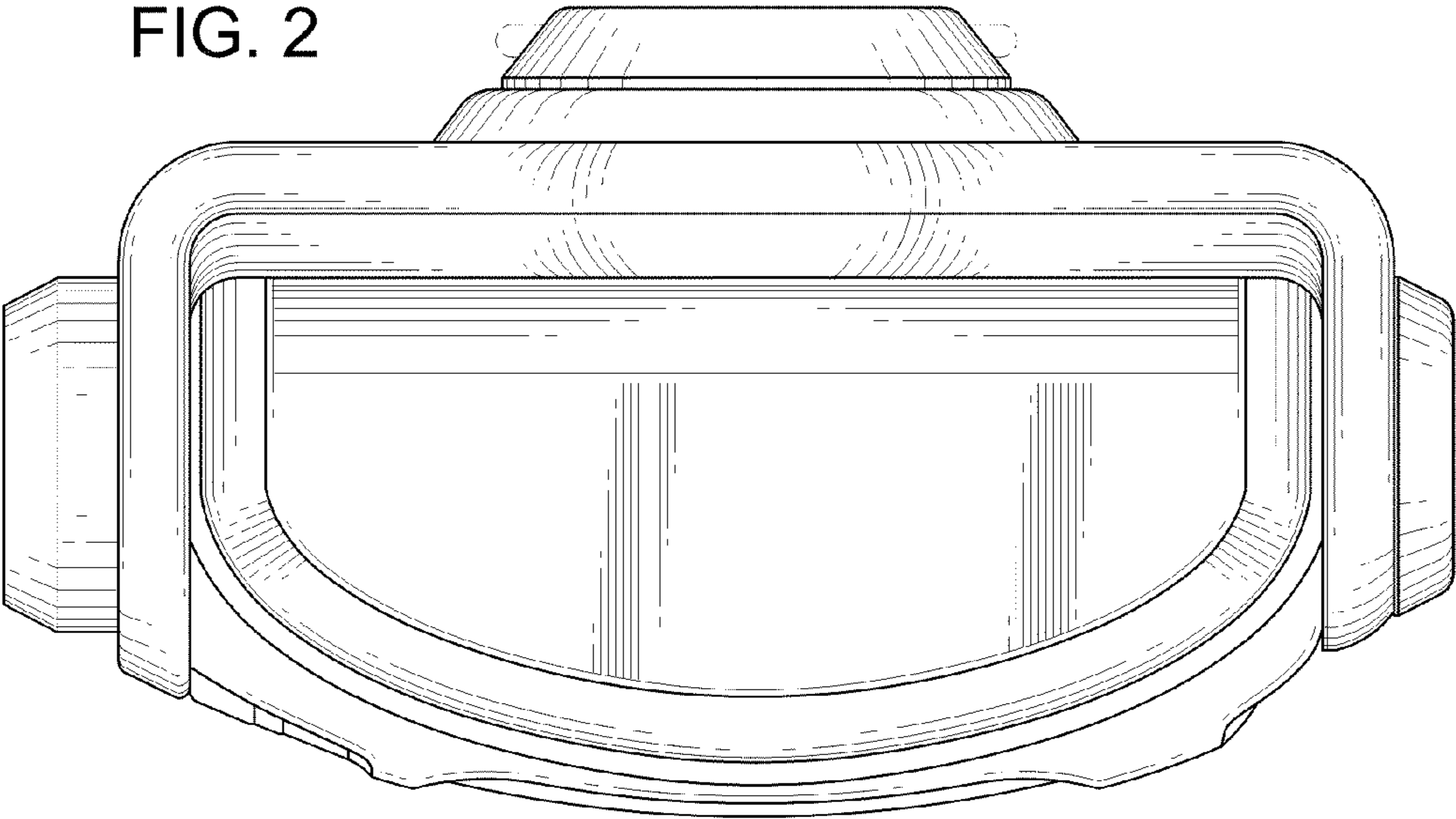


FIG. 3

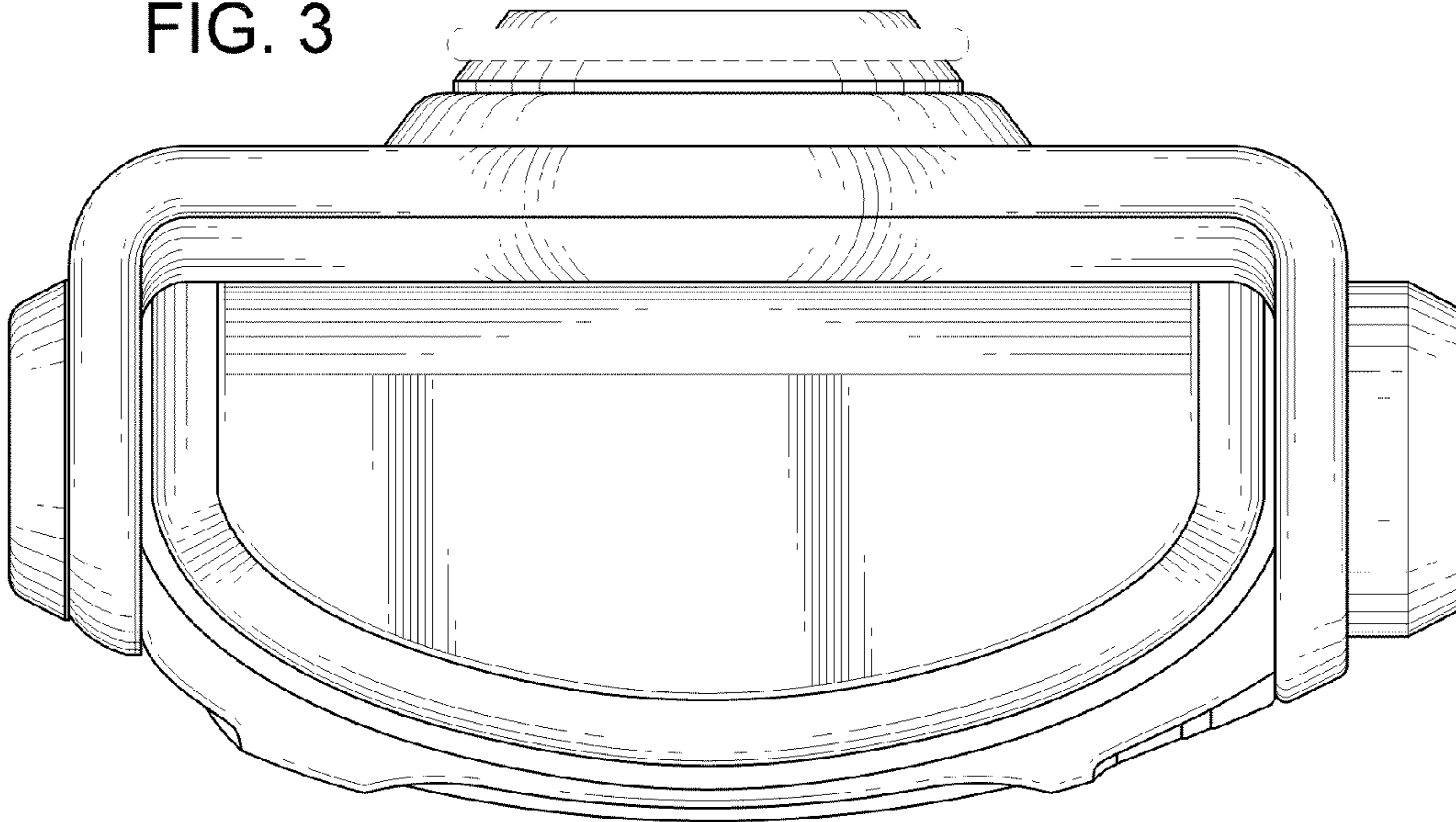


FIG. 4

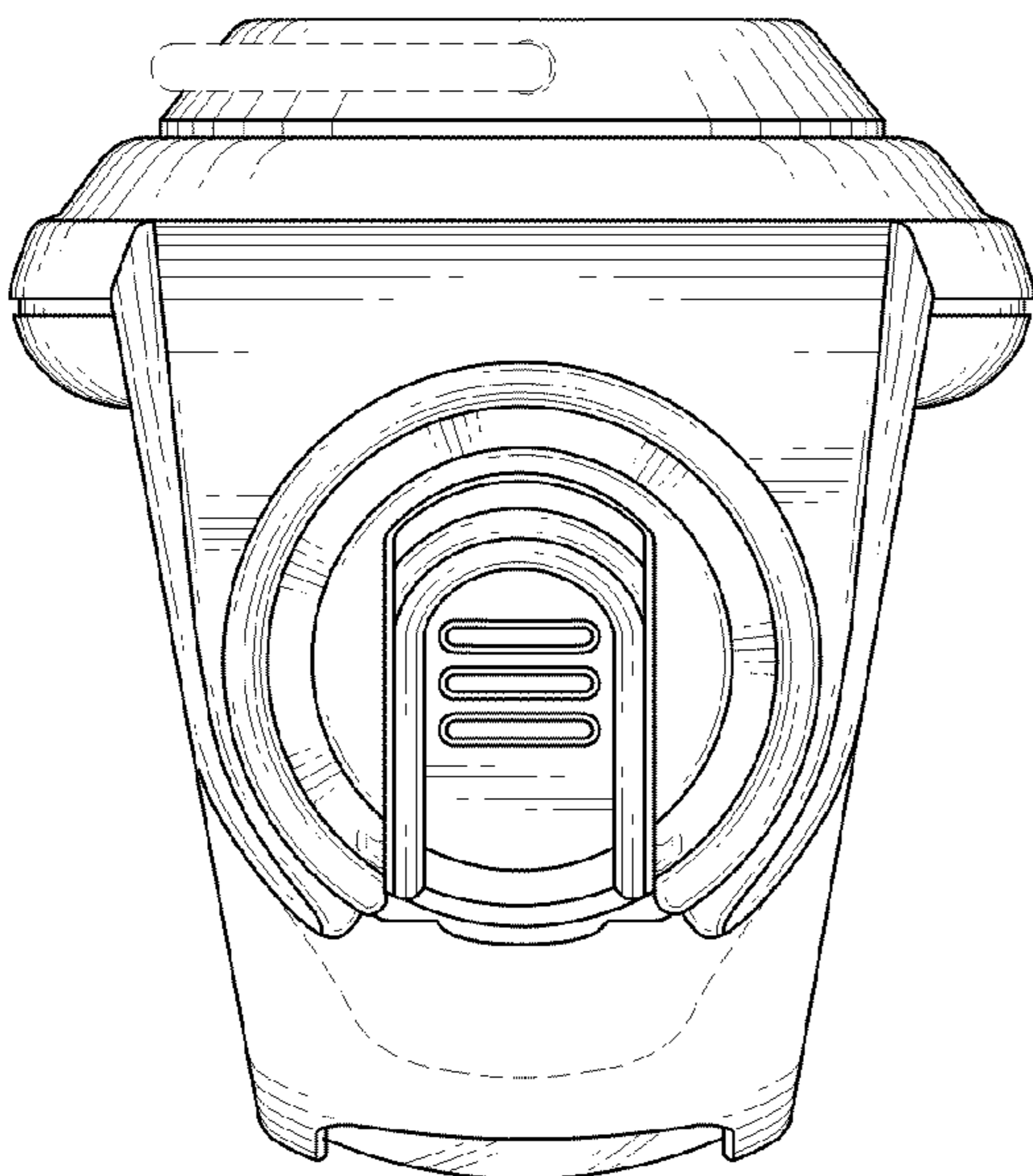


FIG. 5

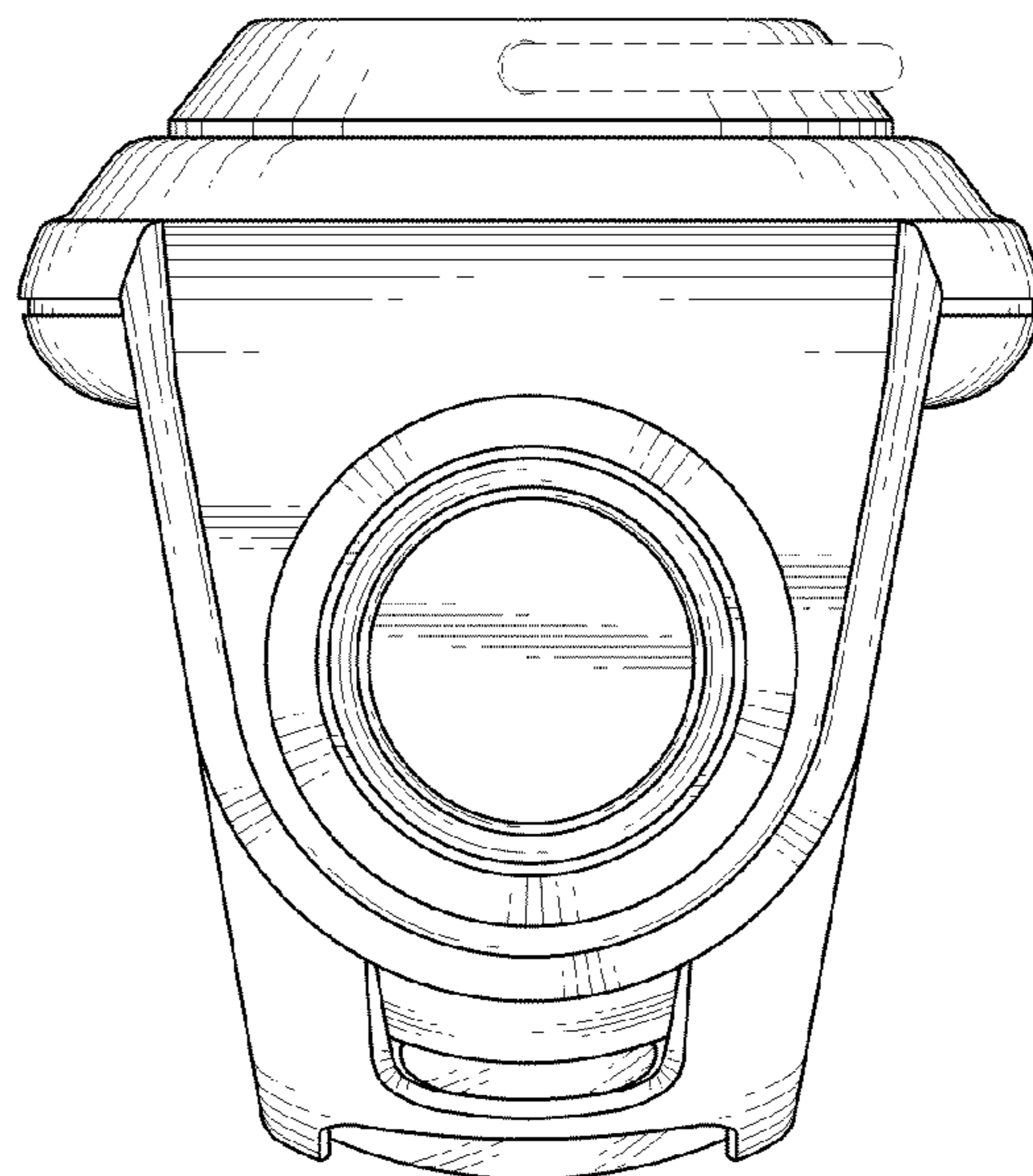


FIG. 6

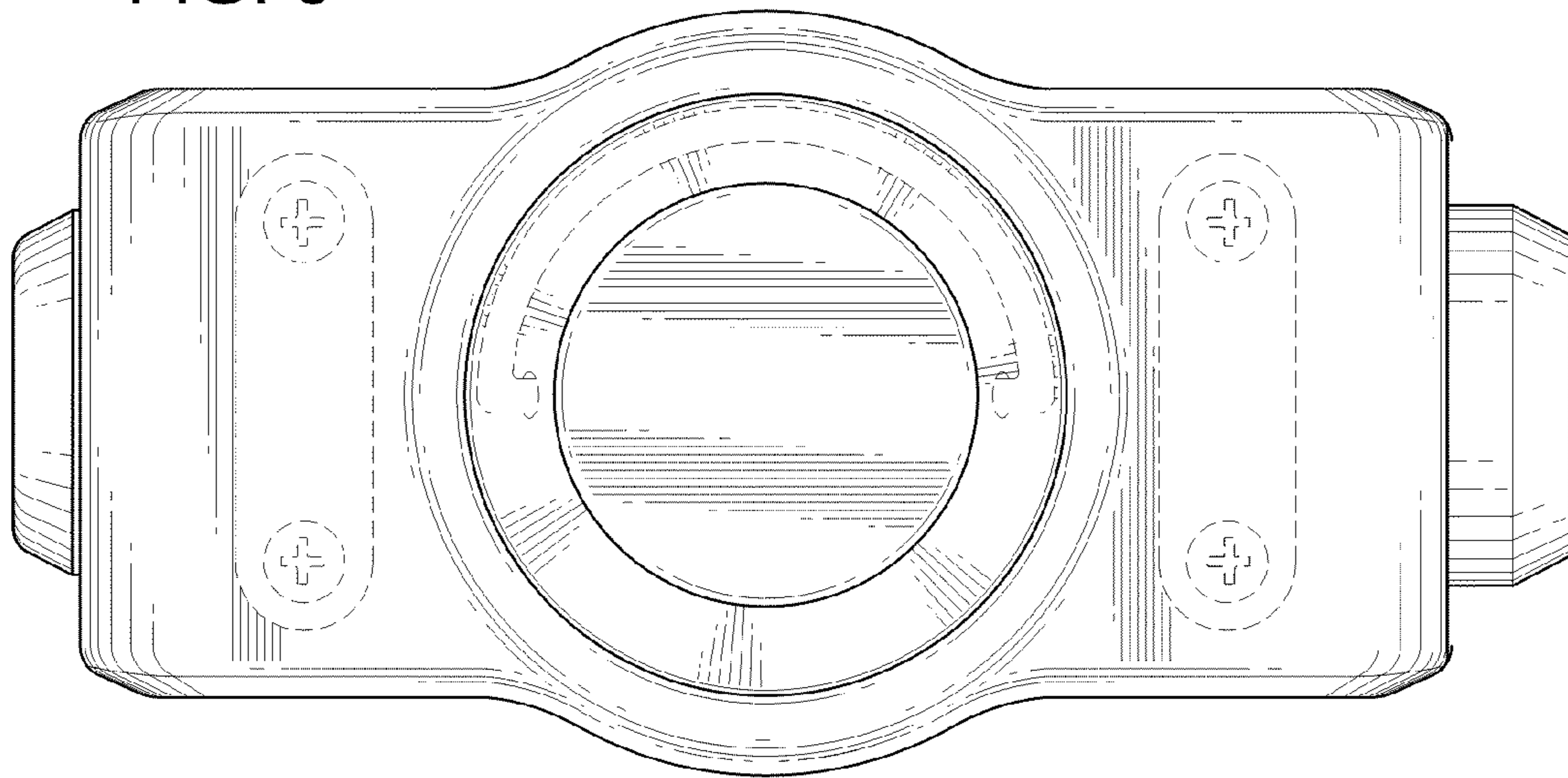


FIG. 7

