



US00D633230S

(12) **United States Design Patent**  
**Chen**

(10) **Patent No.:** **US D633,230 S**  
(45) **Date of Patent:** **\*\* Feb. 22, 2011**

(54) **OUTDOOR ILLUMINATING APPARATUS**

(75) Inventor: **Jen-Shyan Chen**, Hsinchu (TW)

(73) Assignee: **Neobulb Technologies, Inc.** (BN)

(\*\*) Term: **14 Years**

(21) Appl. No.: **29/300,994**

(22) Filed: **Jun. 9, 2008**

(30) **Foreign Application Priority Data**

Jan. 2, 2008 (TW) ..... 97300610

(51) **LOC (9) Cl.** ..... **26-05**

(52) **U.S. Cl.** ..... **D26/24; D26/67; D26/72**

(58) **Field of Classification Search** ..... D26/24,  
D26/67, 72; 362/147, 294.02, 373

See application file for complete search history.

(56) **References Cited**

**U.S. PATENT DOCUMENTS**

D322,135	S *	12/1991	Wierzbicki et al.	.....	D26/24
5,662,405	A *	9/1997	Kuo	.....	362/473
6,637,913	B2 *	10/2003	Sei et al.	.....	362/373
D528,694	S *	9/2006	Barozzini	.....	D26/72
7,540,636	B2 *	6/2009	Lai et al.	.....	362/373
7,736,032	B2 *	6/2010	Chen	.....	362/373
2007/0081338	A1 *	4/2007	Kuan	.....	362/294
2009/0052177	A1 *	2/2009	Lin et al.	.....	362/249

2009/0213588	A1 *	8/2009	Manes	.....	362/235
2009/0262533	A1 *	10/2009	Liu et al.	.....	362/249.02
2009/0323340	A1 *	12/2009	Yang et al.	.....	362/249.02
2009/0323361	A1 *	12/2009	Liu	.....	362/373

\* cited by examiner

*Primary Examiner*—Clare E Heflin

(74) *Attorney, Agent, or Firm*—Thomas, Kayden, Horstemeyer & Risley, LLP.

(57) **CLAIM**

The ornamental design for an outdoor illuminating apparatus, as shown and described.

**DESCRIPTION**

FIG. 1 is a perspective view of an outdoor illuminating apparatus showing our design;

FIG. 2 is another perspective view thereof;

FIG. 3 is a front elevation view thereof;

FIG. 4 is a rear elevation view thereof;

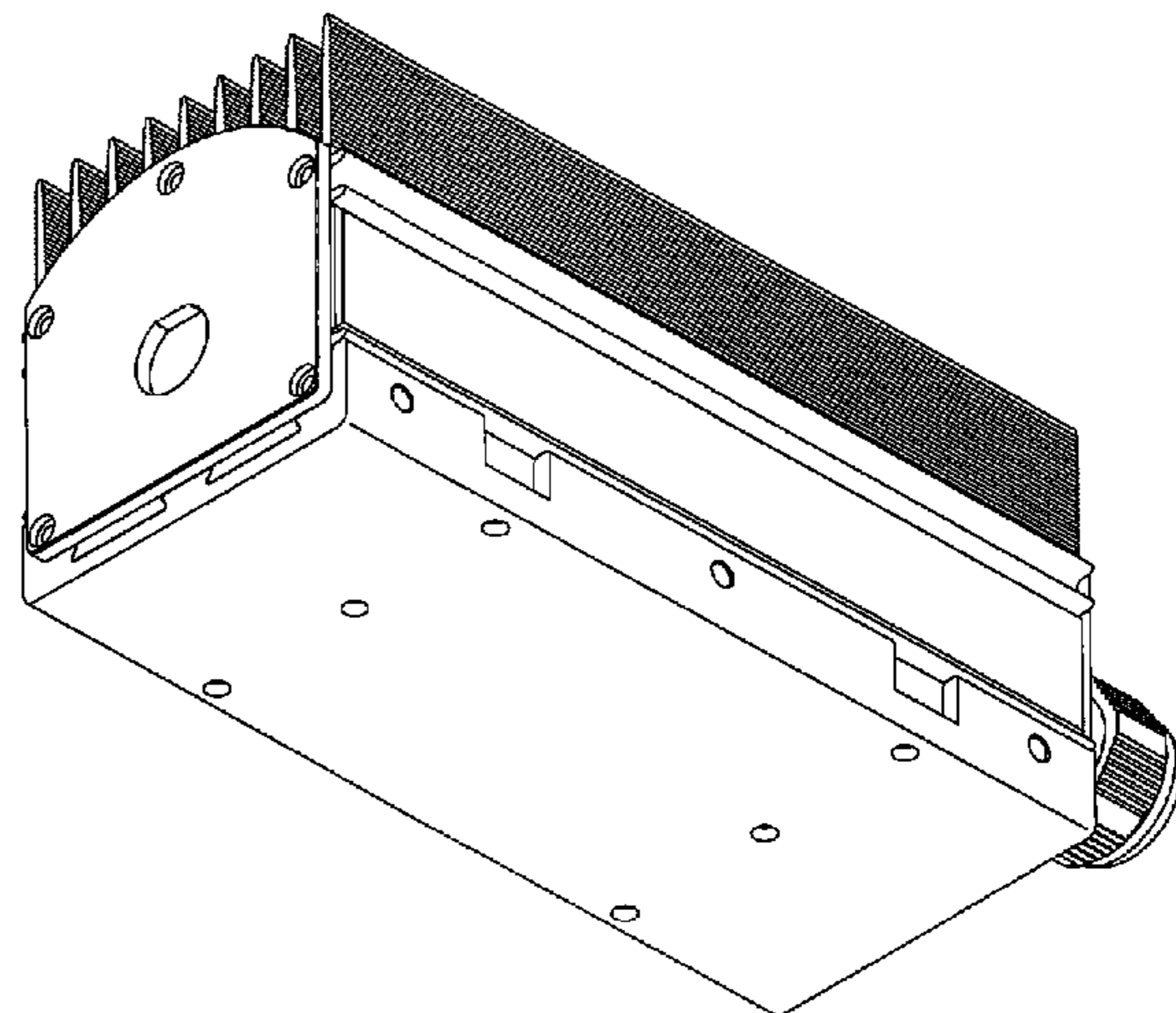
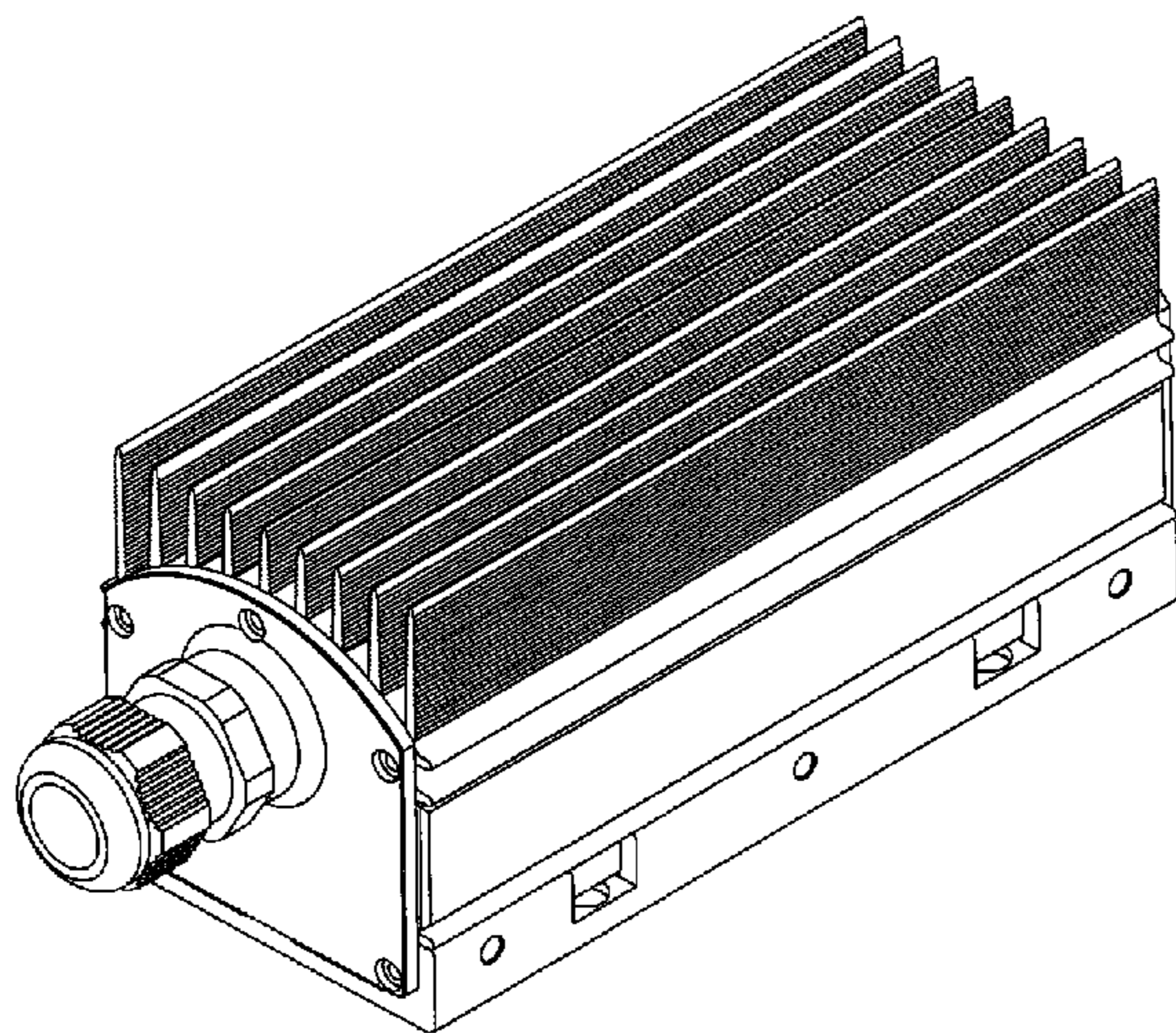
FIG. 5 is a left elevation view thereof, the right elevation view thereof being a mirror image of the left;

FIG. 6 is a top plan view thereof;

FIG. 7 is a bottom plan view thereof; and,

FIG. 8 is another perspective view of an embodiment showing that the main body is movably engaged to the seat.

**1 Claim, 5 Drawing Sheets**



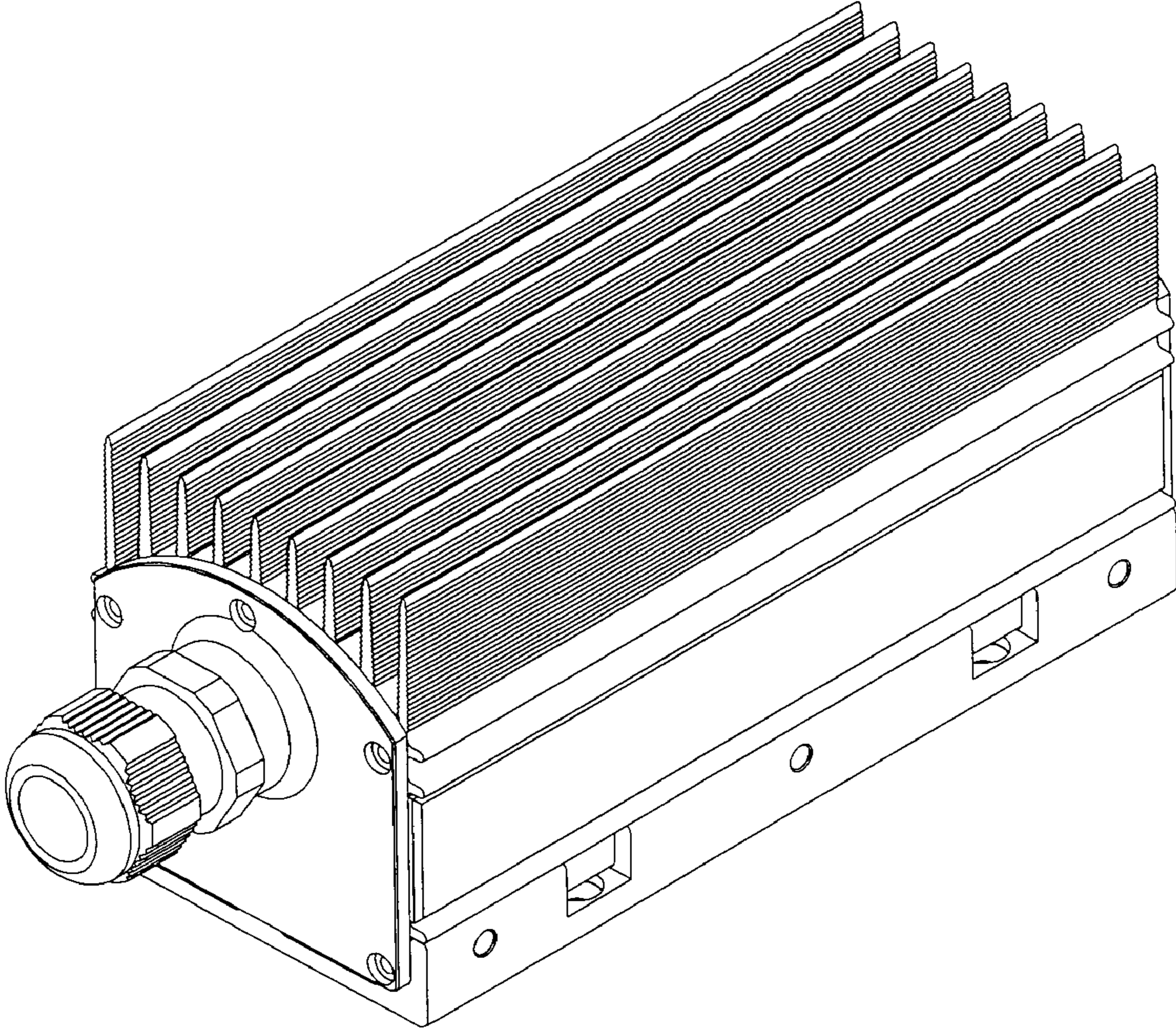


FIG. 1

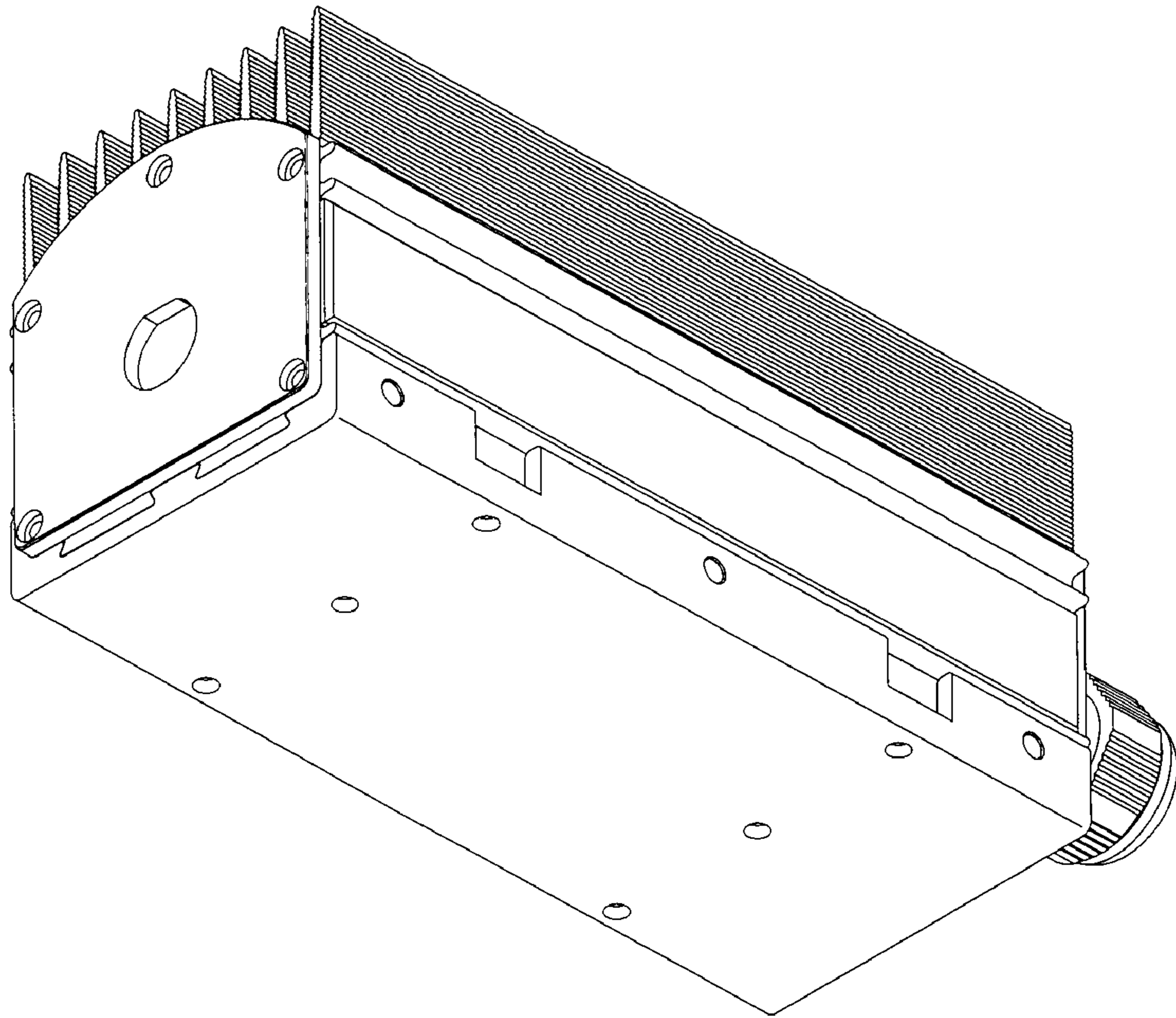


FIG. 2

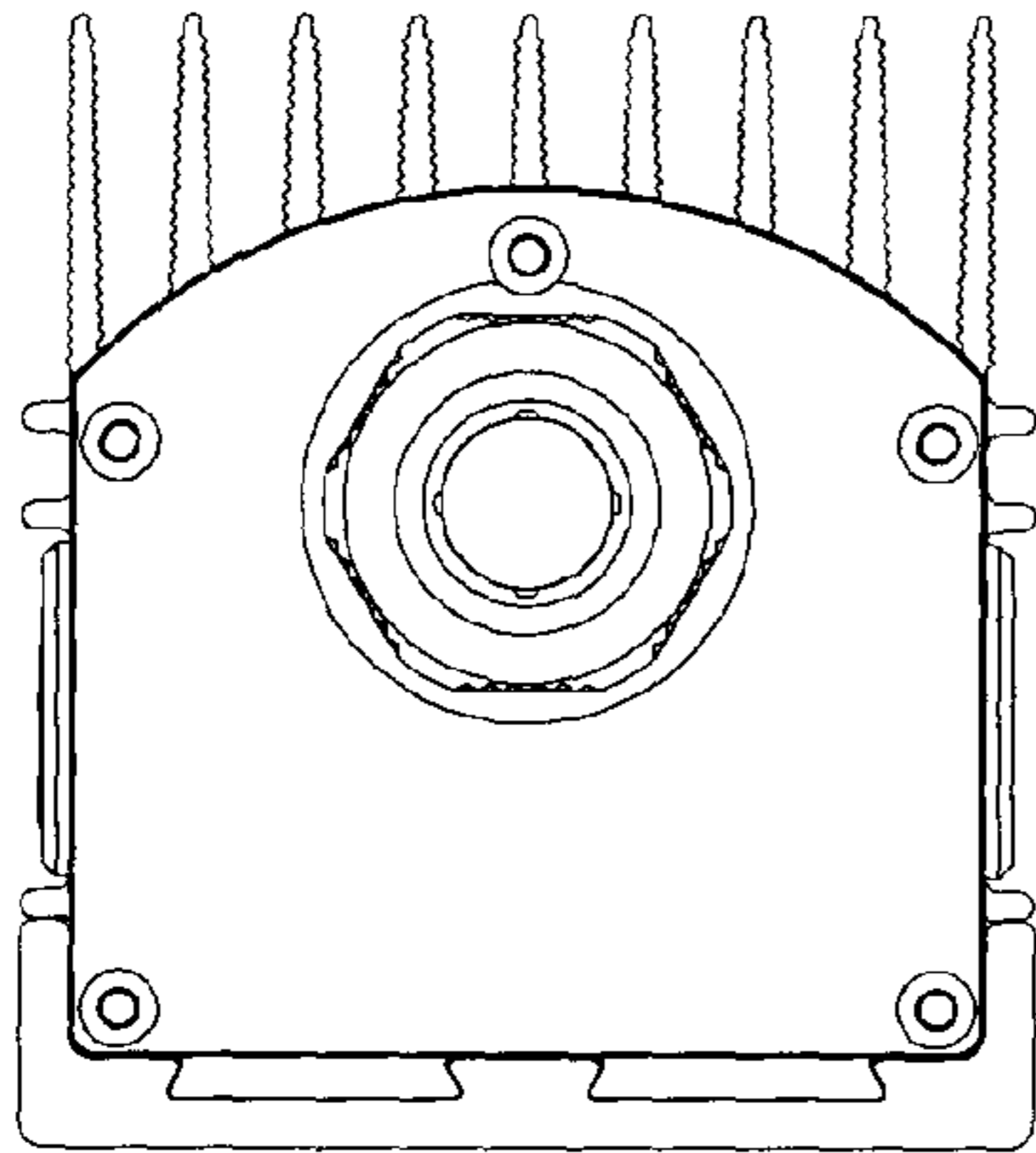


FIG. 3

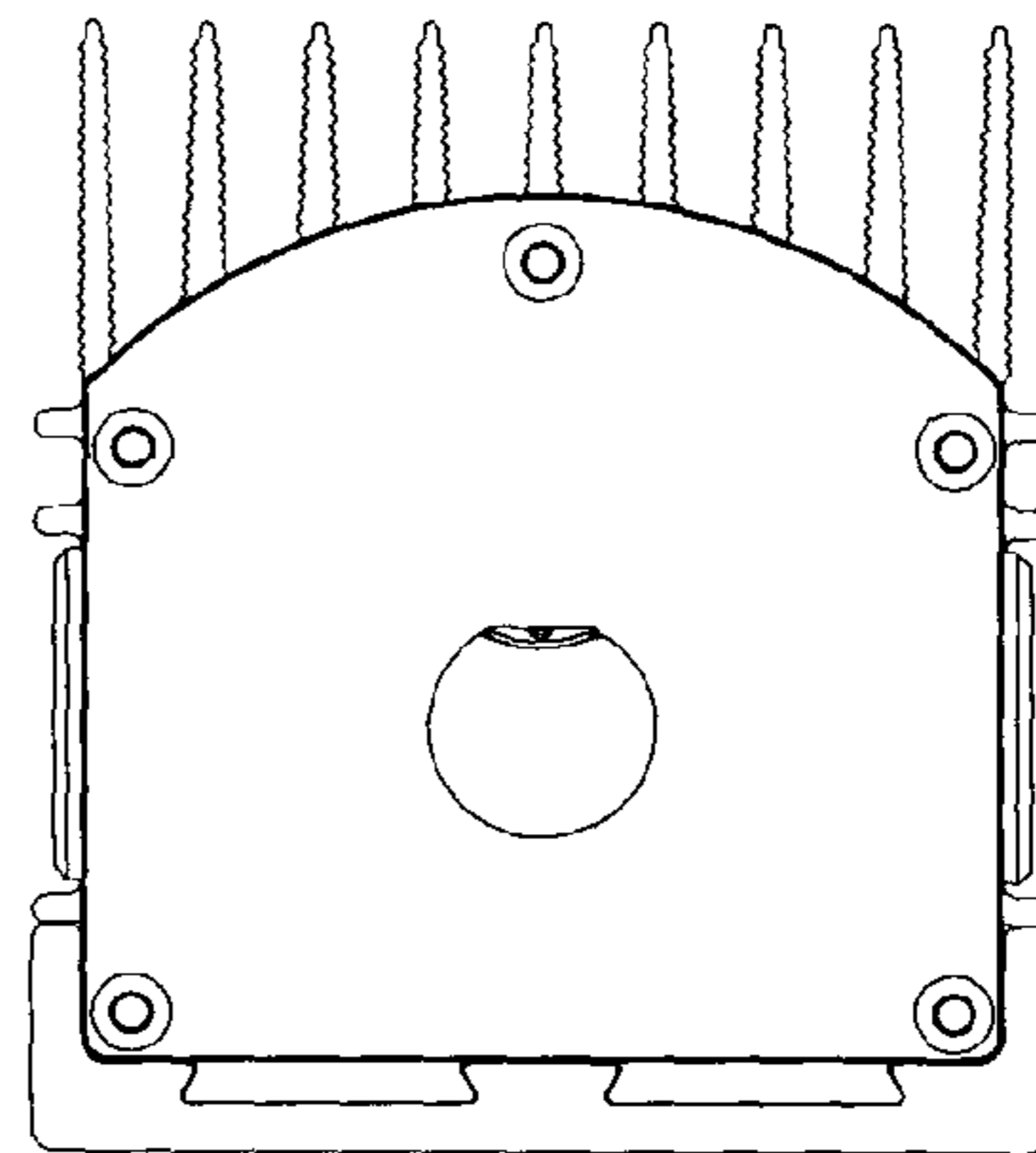


FIG. 4

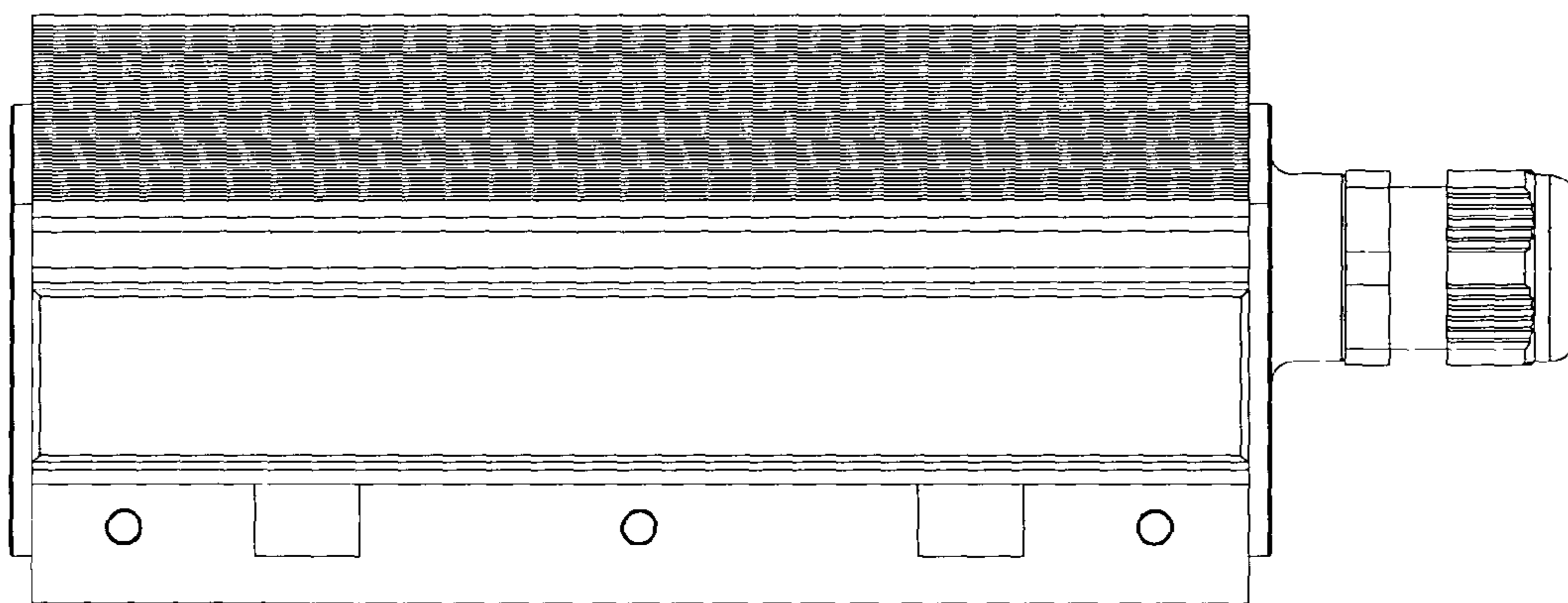


FIG. 5

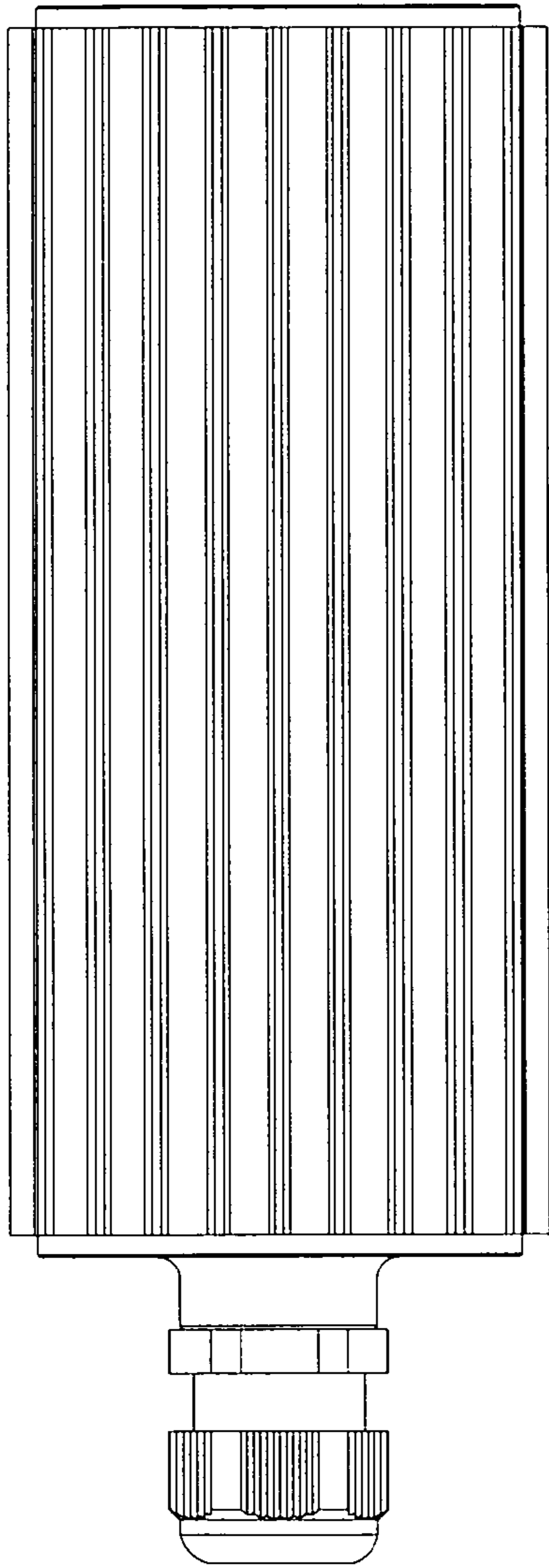


FIG. 6

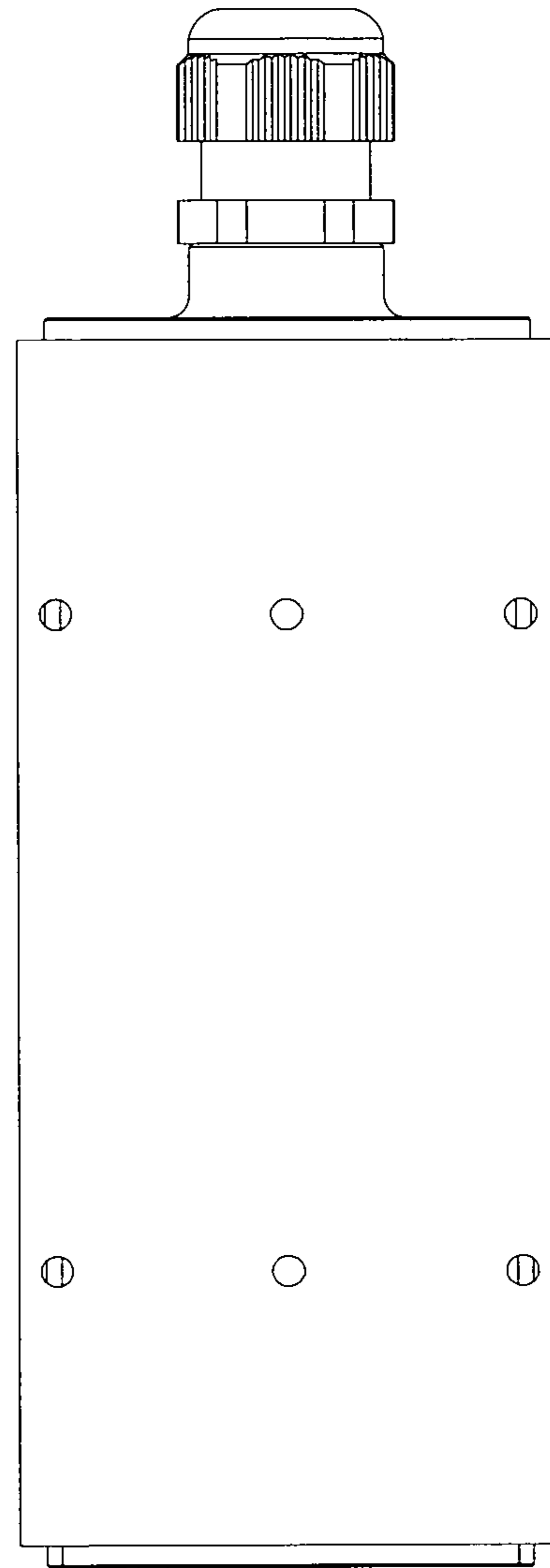


FIG. 7

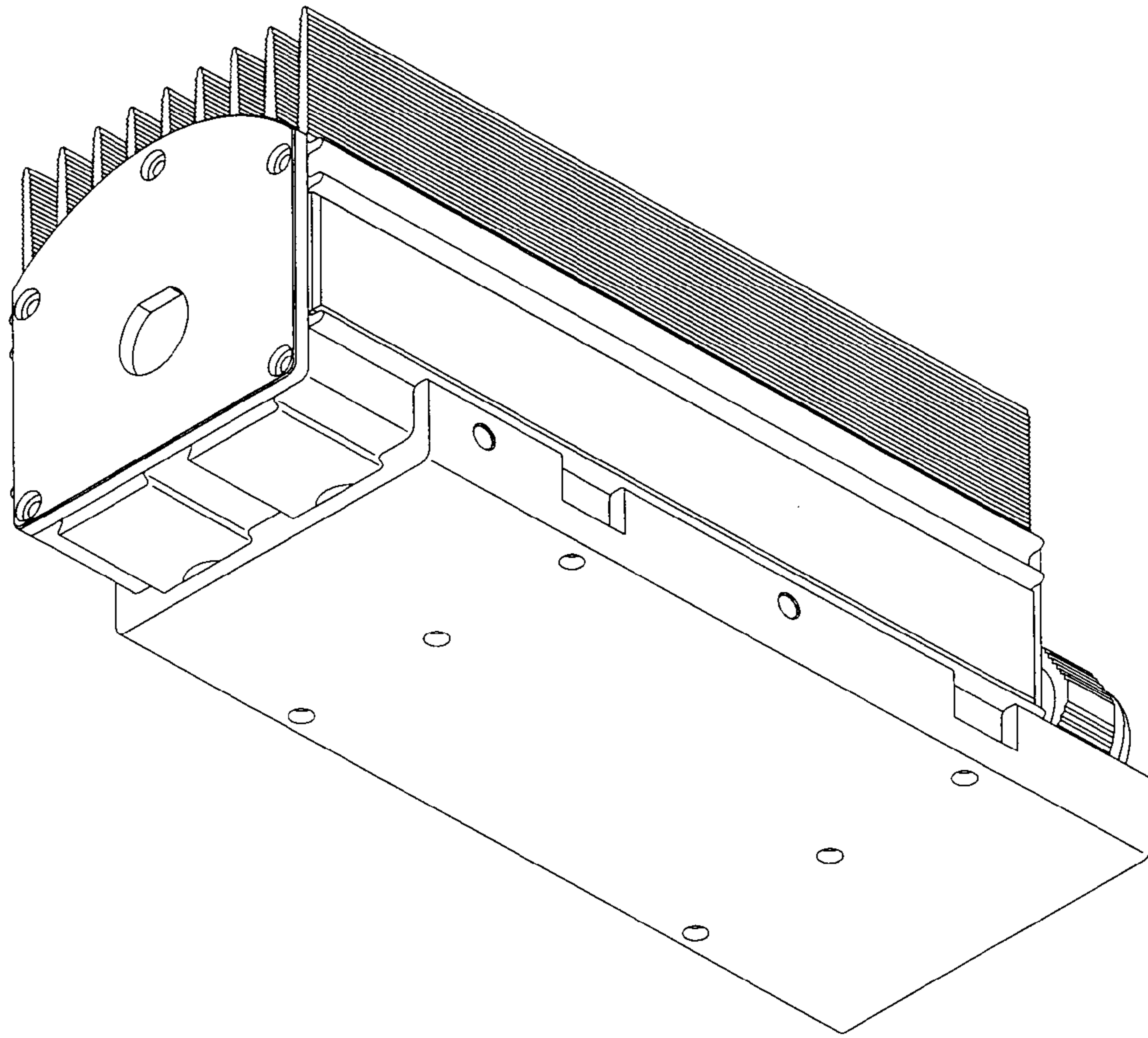


FIG. 8