



US00D633227S

(12) **United States Design Patent**  
**Murakami et al.**

(10) **Patent No.:** **US D633,227 S**

(45) **Date of Patent:** **\*\* Feb. 22, 2011**

(54) **LIGHT EMITTING DIODE LAMP**

(75) Inventors: **Yutaka Murakami**, Shiga (JP); **Kenji Takahashi**, Osaka (JP); **Nobuyuki Matsui**, Osaka (JP); **Tetsushi Tamura**, Osaka (JP); **Yasushige Tomiyoshi**, Osaka (JP)

(73) Assignee: **Panasonic Corporation**, Osaka (JP)

(\*\*) Term: **14 Years**

(21) Appl. No.: **29/366,559**

(22) Filed: **Jul. 27, 2010**

(30) **Foreign Application Priority Data**

Mar. 29, 2010 (JP) ..... 2010-007599

(51) **LOC (9) Cl.** ..... **26-04**

(52) **U.S. Cl.** ..... **D26/2**

(58) **Field of Classification Search** ..... D26/1-4;  
313/313, 315, 316, 317, 318, 493; 315/52,  
315/53, 56, 57, 58

See application file for complete search history.

(56) **References Cited**

**U.S. PATENT DOCUMENTS**

D471,294 S \* 3/2003 Bobel ..... D26/2  
D487,939 S \* 3/2004 Smith ..... D26/2

D494,688 S \* 8/2004 Van de Ven et al. .... D26/2  
D499,820 S \* 12/2004 Foo ..... D26/2  
D500,872 S \* 1/2005 Foo ..... D26/2  
D534,665 S \* 1/2007 Egawa et al. .... D26/2

\* cited by examiner

*Primary Examiner*—Marcus A Jackson

(74) *Attorney, Agent, or Firm*—Brinks Hofer Gilson & Lione

(57) **CLAIM**

We claim the ornamental design for a light emitting diode lamp, as shown and described.

**DESCRIPTION**

FIG. 1 is a top perspective view of a light emitting diode lamp of the present invention;

FIG. 2 is a front view thereof;

FIG. 3 is a rear view thereof;

FIG. 4 is a first side view thereof;

FIG. 5 is a second side view thereof;

FIG. 6 is a top view thereof; and,

FIG. 7 is a bottom view thereof.

The broken line showing of light emitting diode lamp is included for the purpose of illustrating environment and forms no part of the claimed design.

**1 Claim, 7 Drawing Sheets**

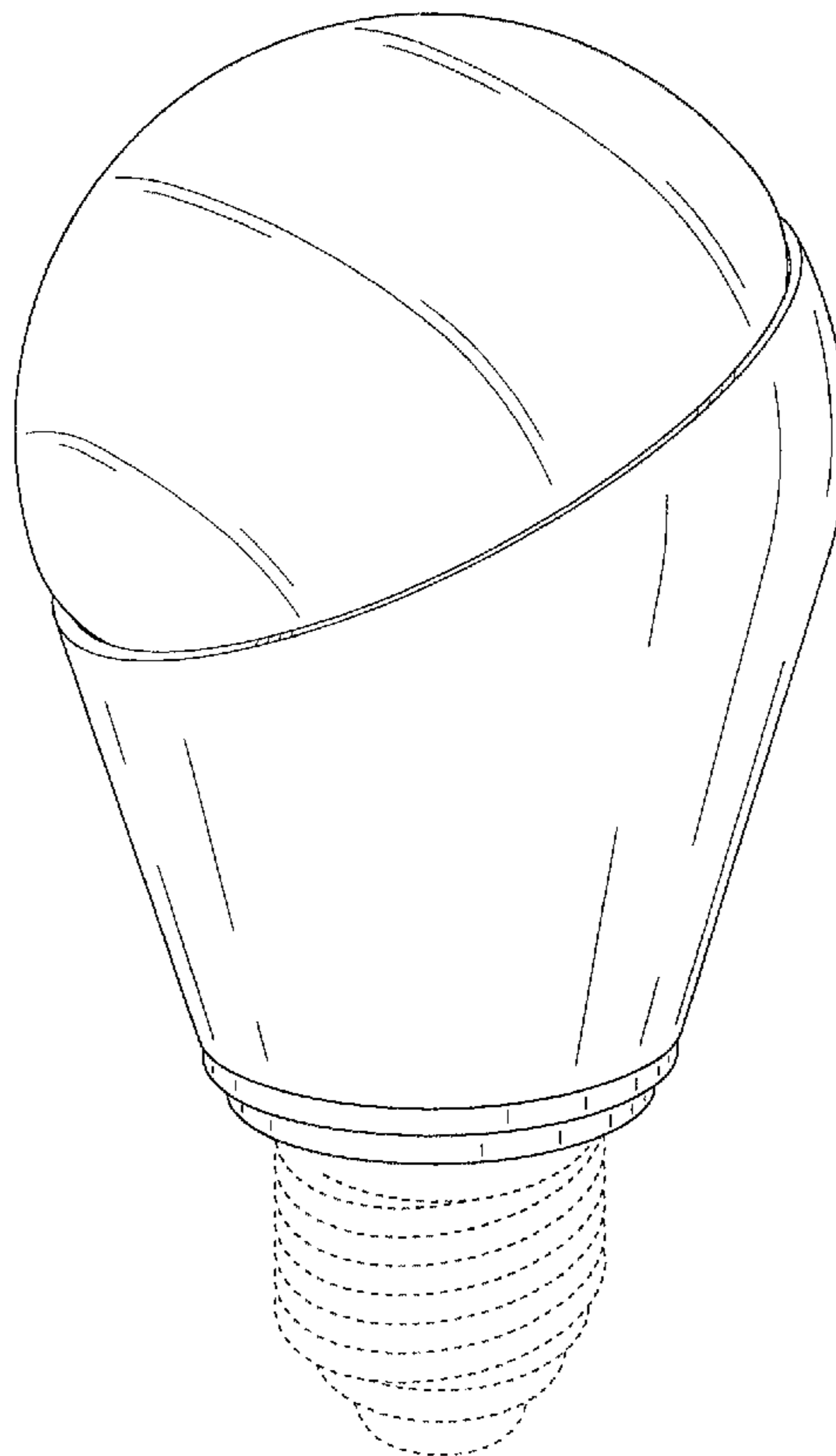


FIG.1

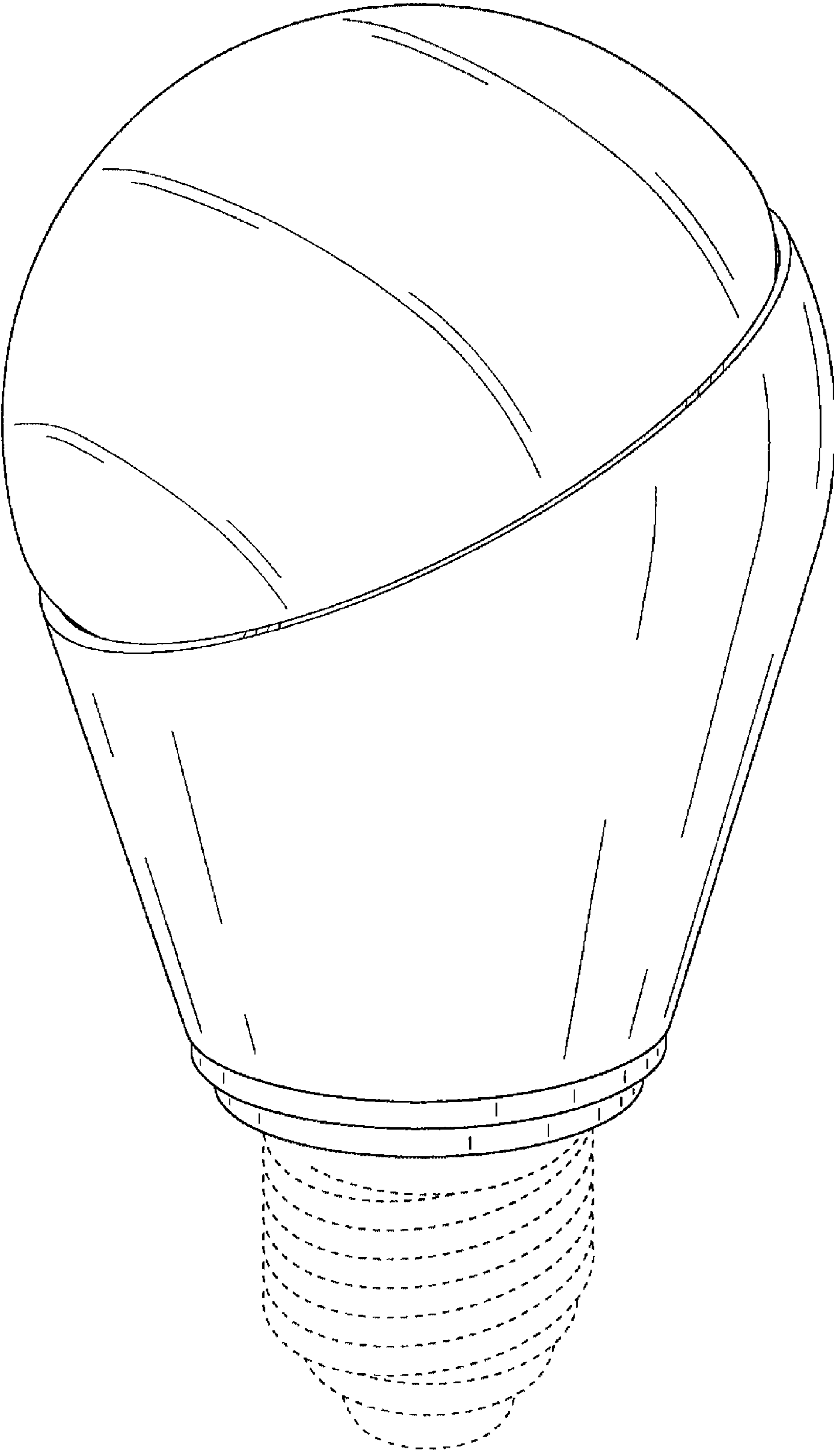
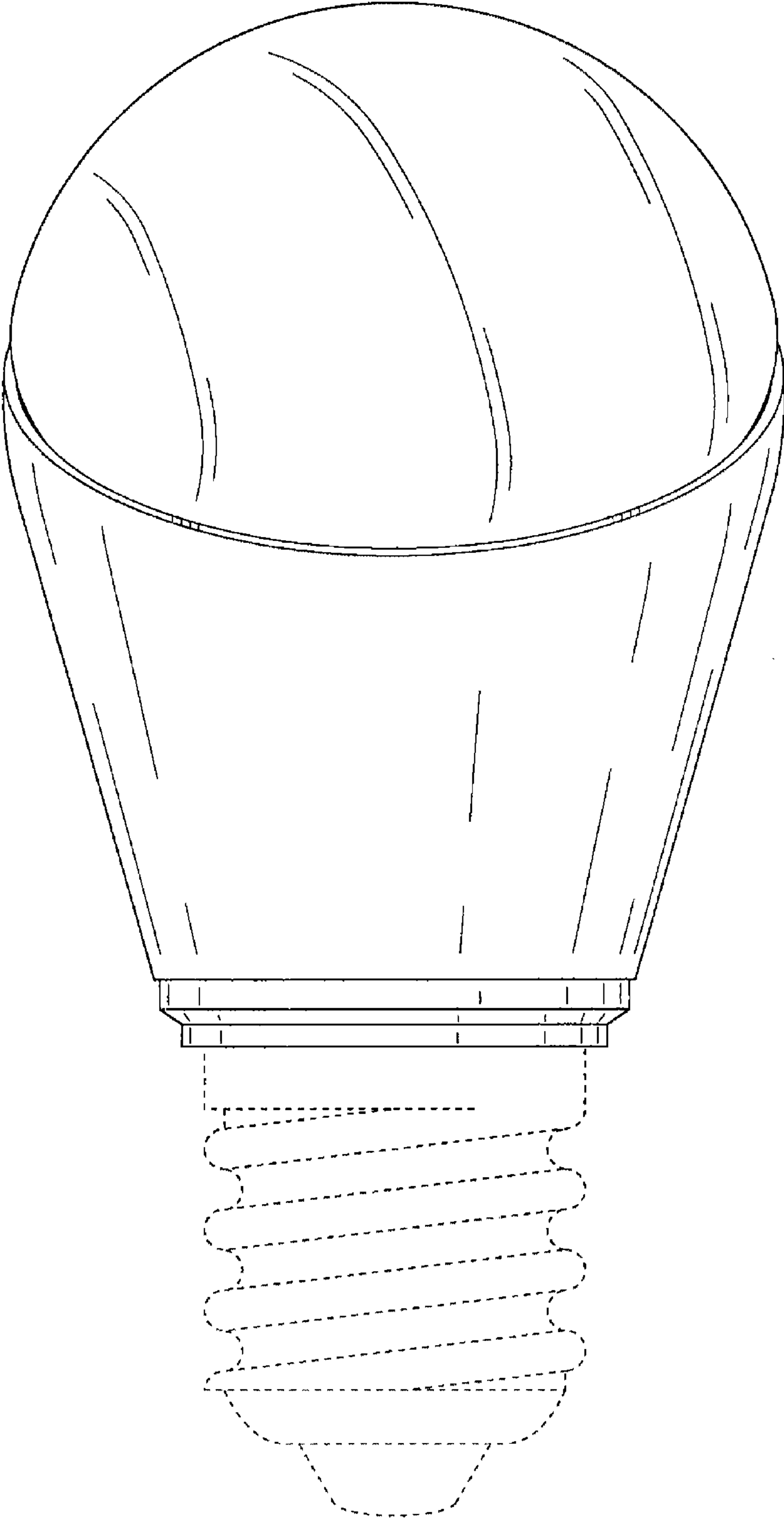


FIG.2



**FIG.3**

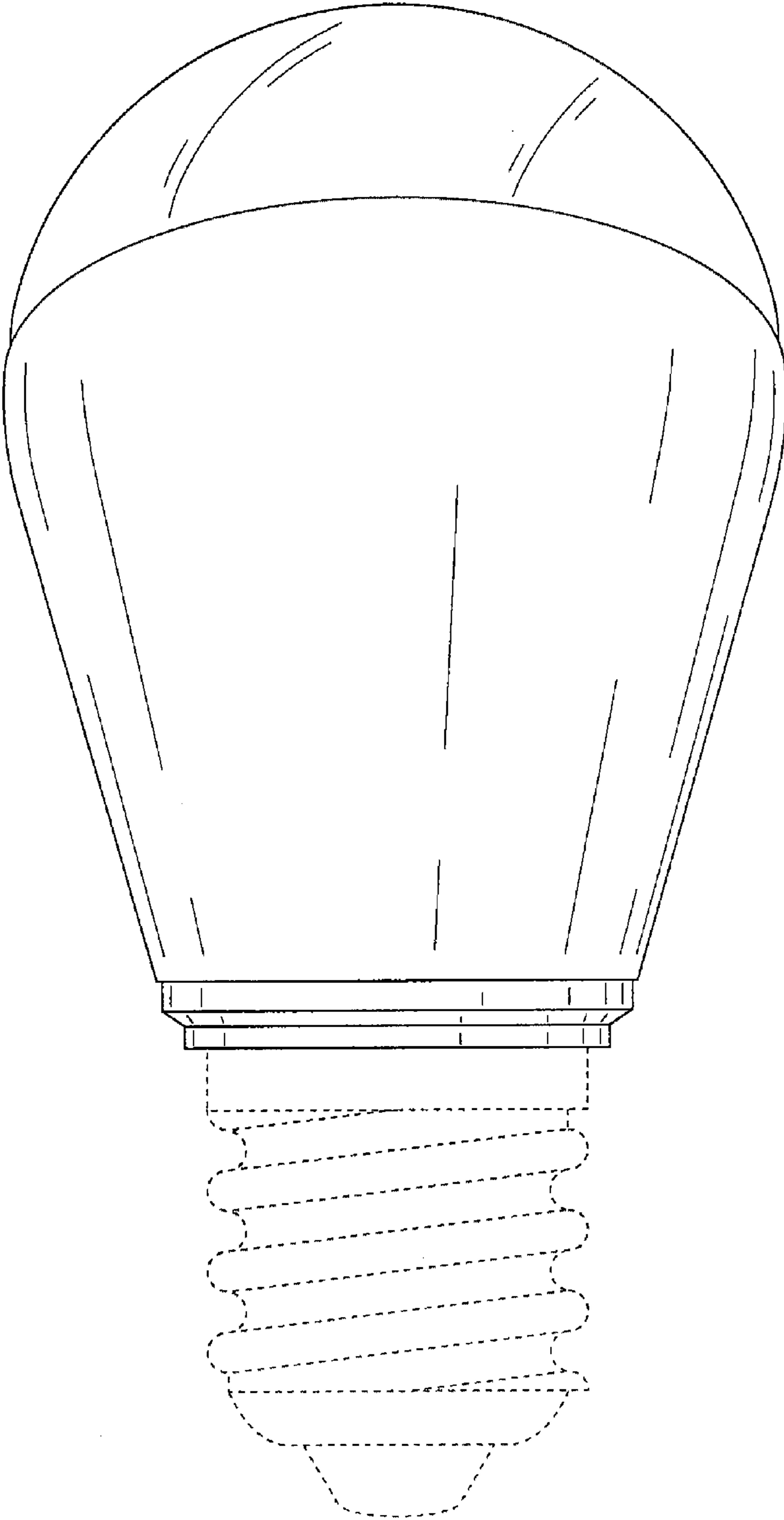
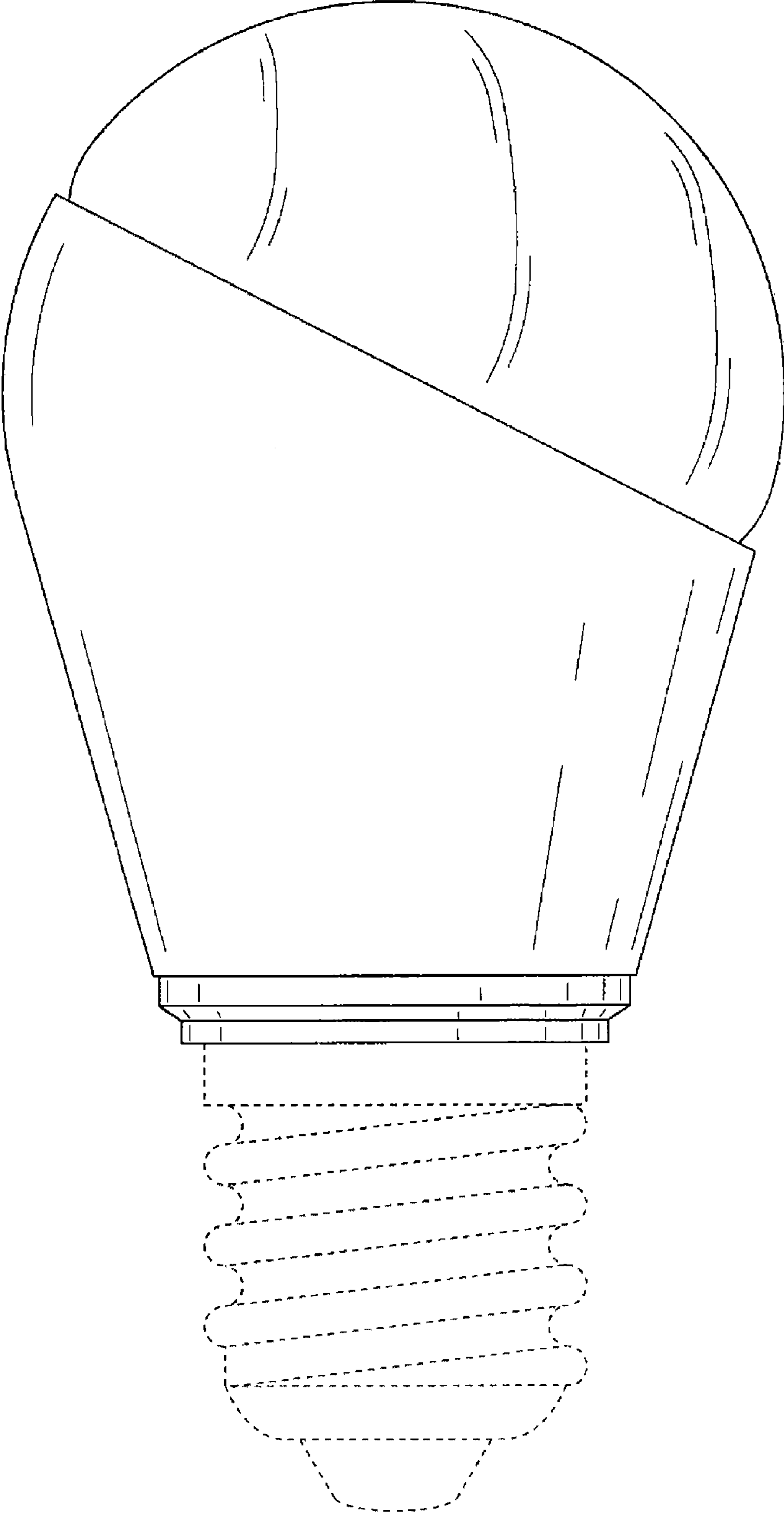
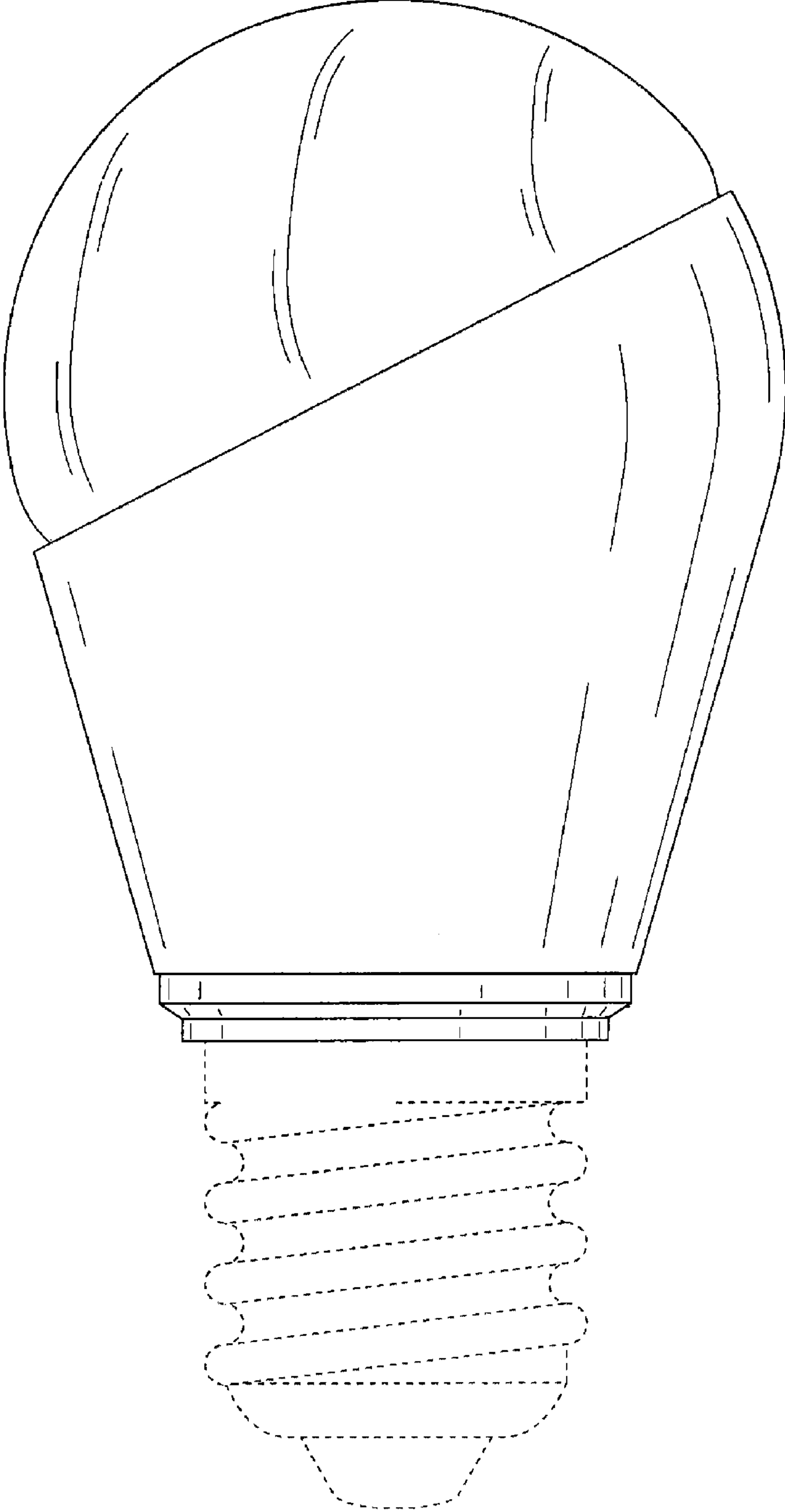


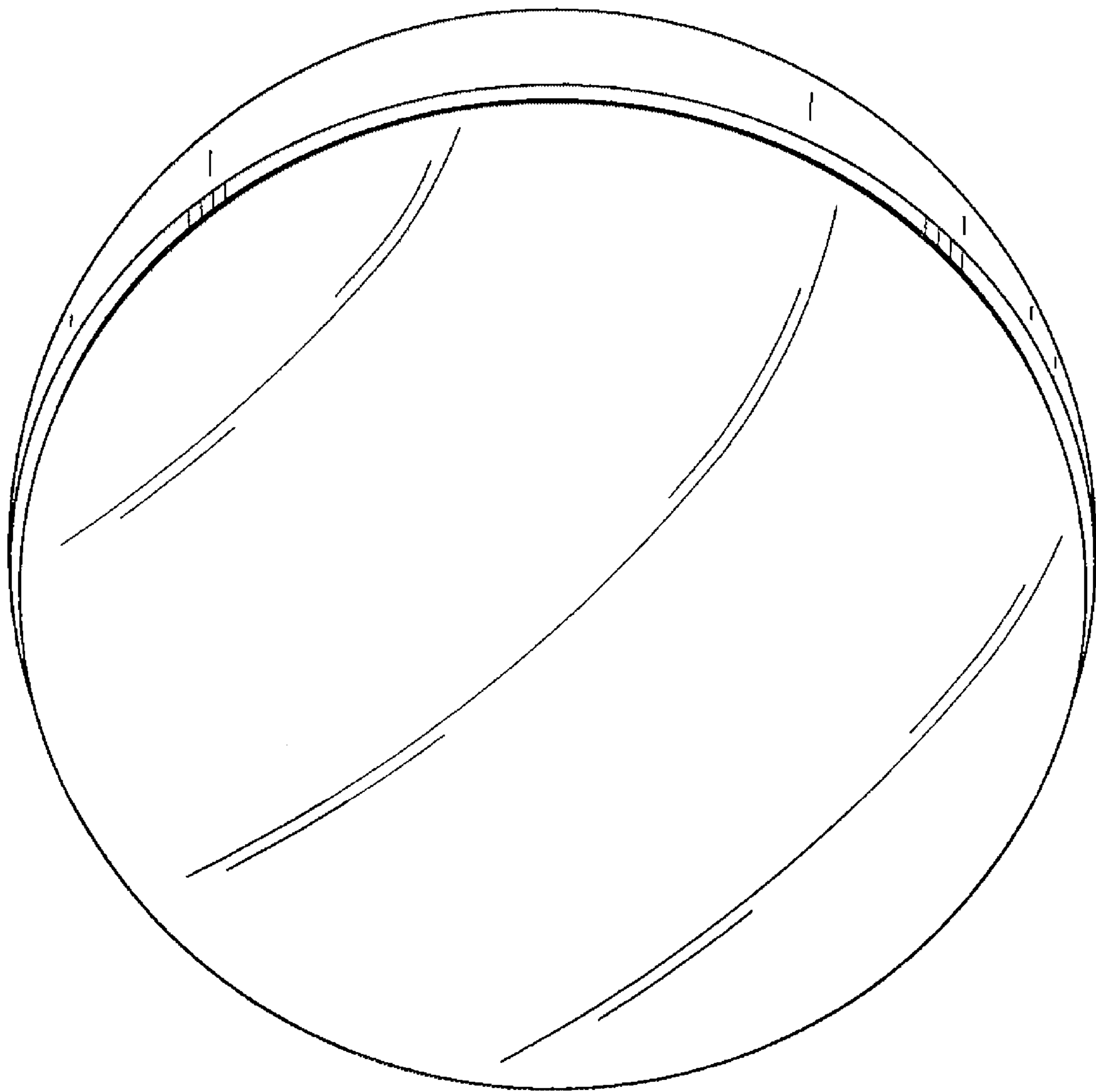
FIG.4



**FIG.5**



**FIG.6**



**FIG. 7**

