

US00D633226S

(12) **United States Design Patent**
Katsaros

(10) **Patent No.:** **US D633,226 S**

(45) **Date of Patent:** **** Feb. 22, 2011**

(54) **SOLAR LIGHT BULB**

(76) **Inventor:** **Stephen B. Katsaros**, 650 Grant St.,
Denver, CO (US) 80203

(**) **Term:** **14 Years**

(21) **Appl. No.:** **29/363,200**

(22) **Filed:** **Jun. 7, 2010**

(51) **LOC (9) Cl.** **26-06**

(52) **U.S. Cl.** **D26/2**

(58) **Field of Classification Search** D26/1-4;
313/313, 315, 316, 317, 318, 493; 315/52,
315/53, 56, 57, 58

See application file for complete search history.

(56) **References Cited**

U.S. PATENT DOCUMENTS

- D531,741 S * 11/2006 Takahashi D26/2
- D534,665 S * 1/2007 Egawa et al. D26/2
- D538,953 S * 3/2007 Mama D26/2

D617,915 S * 6/2010 Wada et al. D26/2

* cited by examiner

Primary Examiner—Marcus A Jackson

(74) *Attorney, Agent, or Firm*—Crossley Patent Law; Mark A. Crossley

(57) **CLAIM**

The ornamental design for a solar light bulb, as shown and described.

DESCRIPTION

FIG. 1 is an isometric view of a solar light bulb showing my new design;

FIG. 2 is a front elevation view thereof;

FIG. 3 is a rear elevation view thereof;

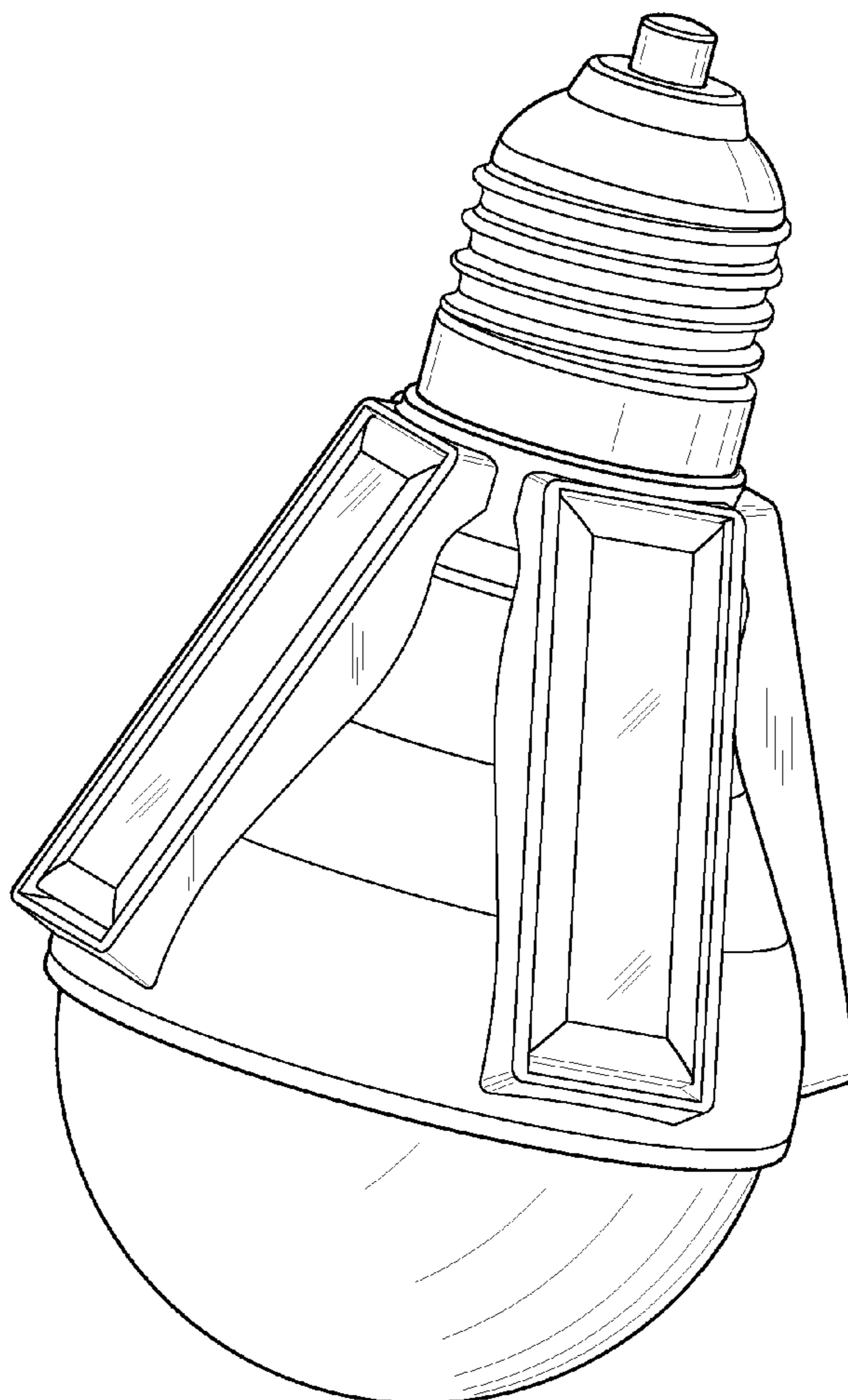
FIG. 4 is a right elevation view thereof;

FIG. 5 is a left elevation view thereof;

FIG. 6 is a top plan view thereof; and,

FIG. 7 is a bottom pan view thereof.

1 Claim, 4 Drawing Sheets



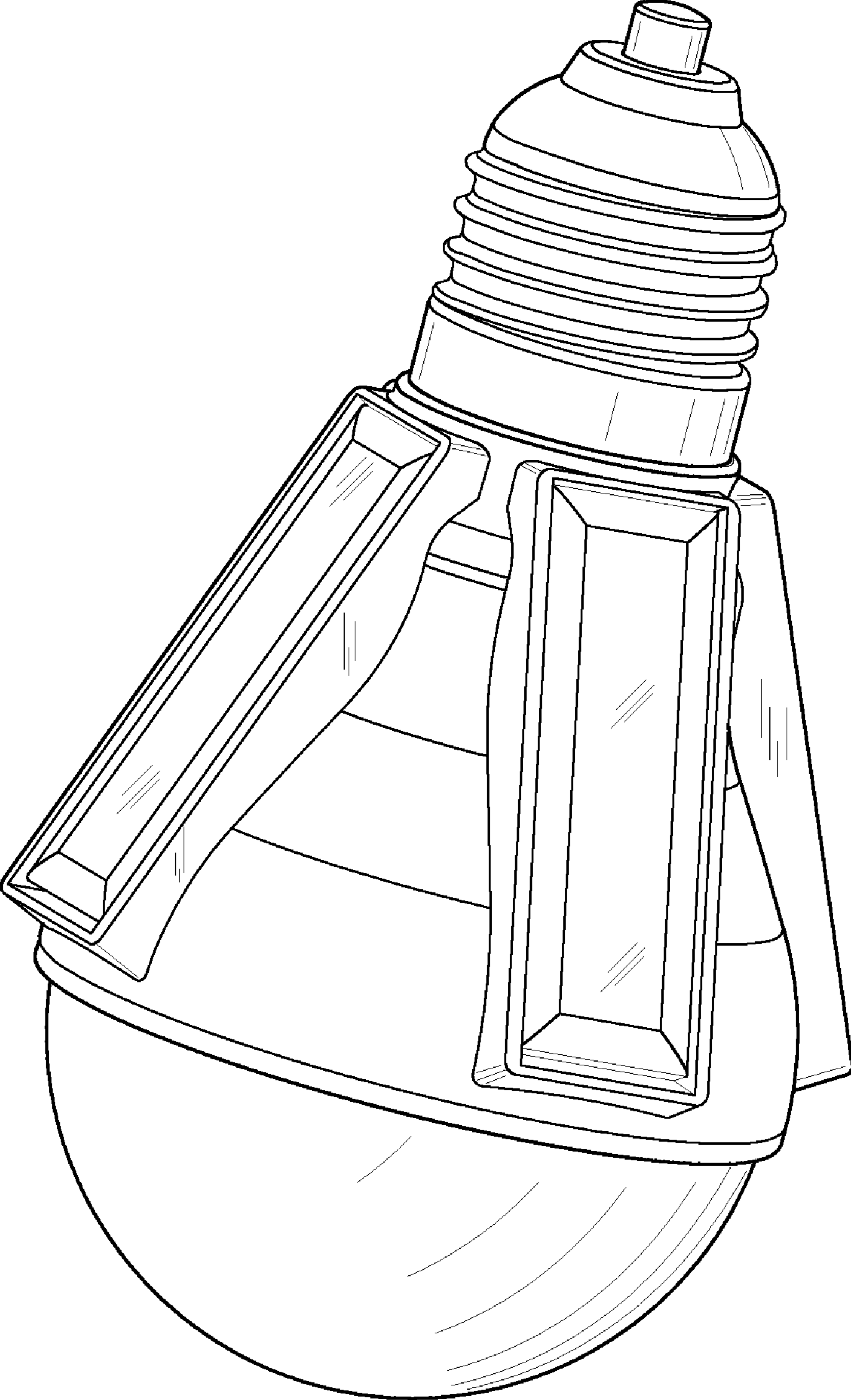


FIG. 1

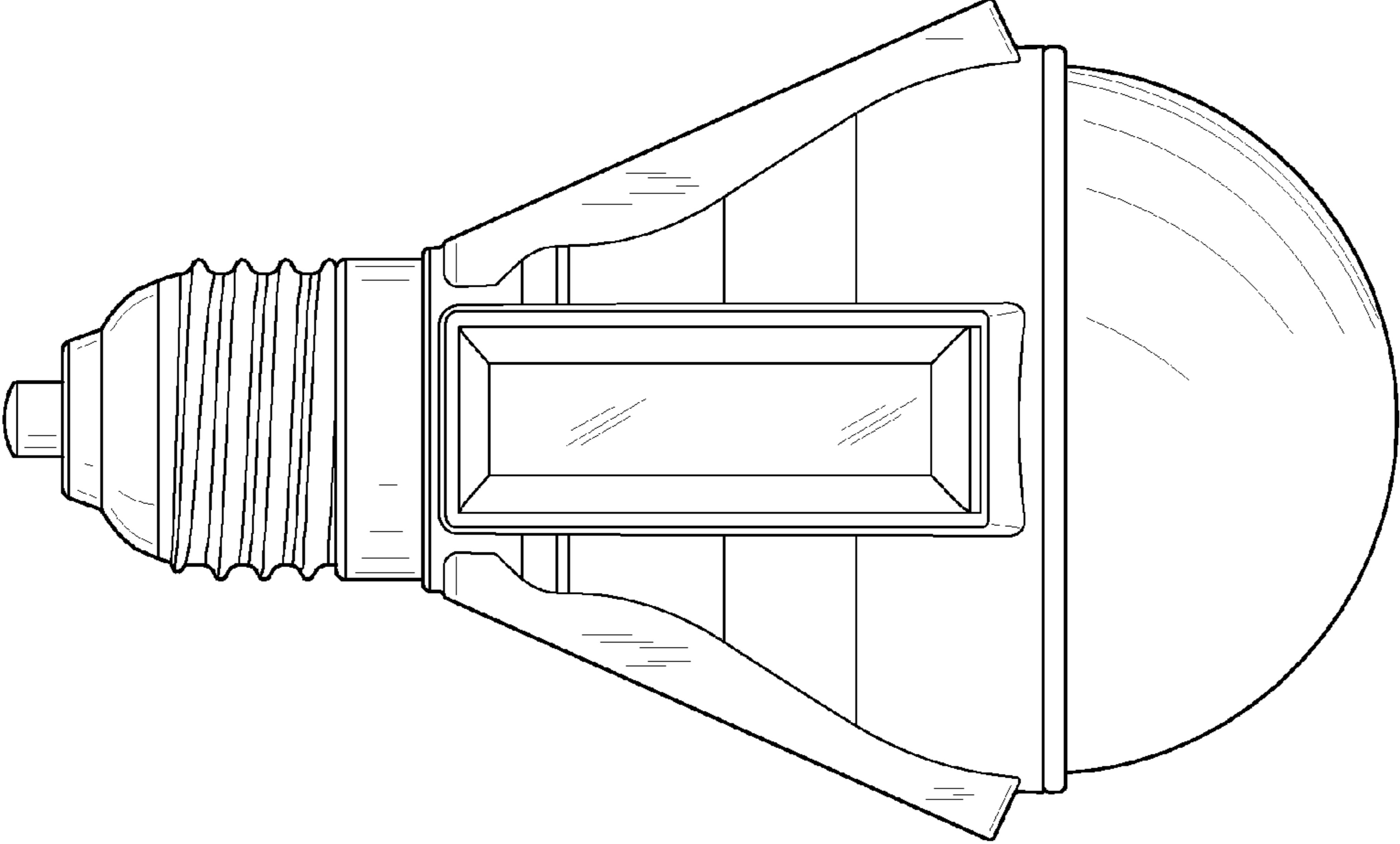


FIG. 3

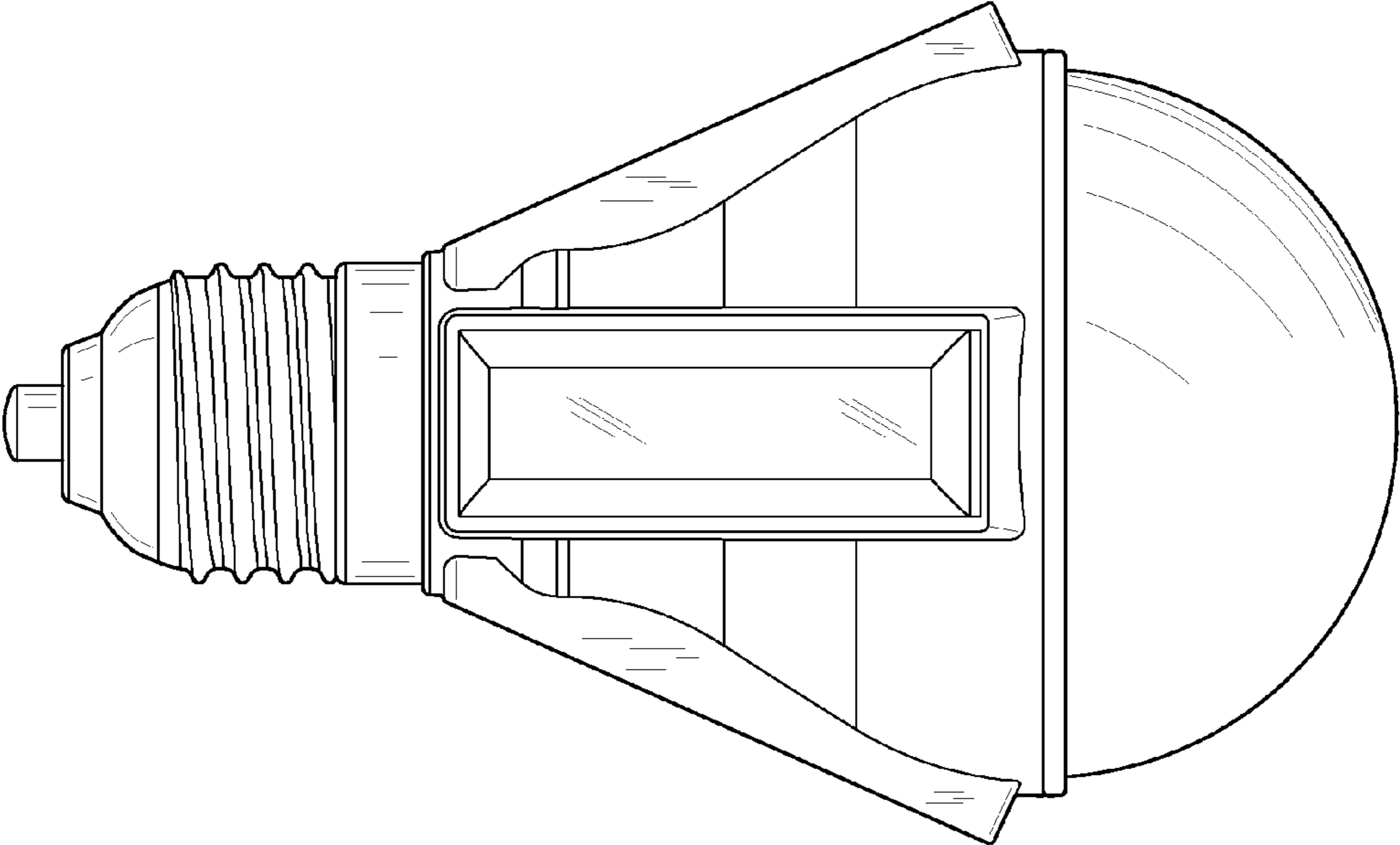


FIG. 2

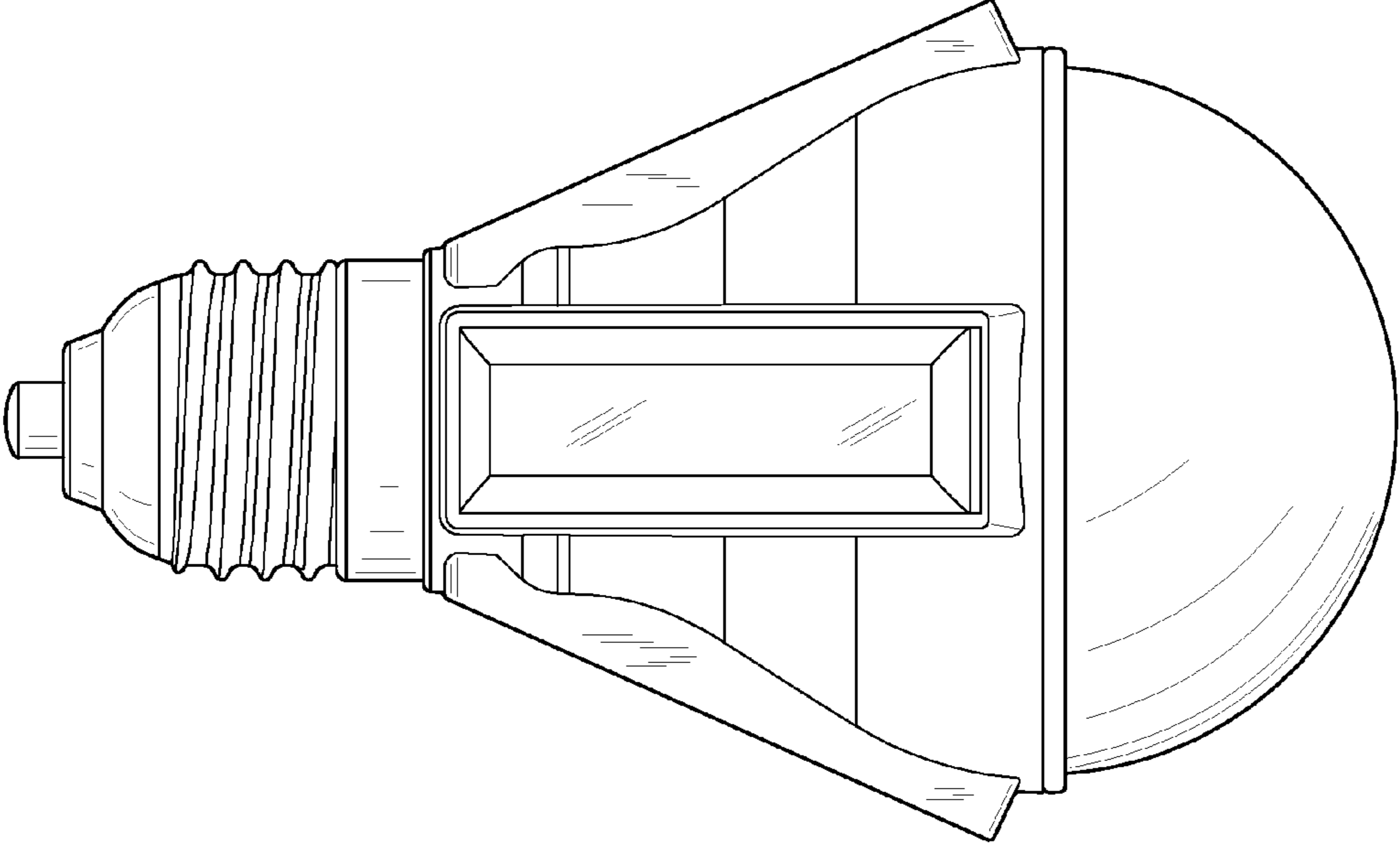


FIG. 5

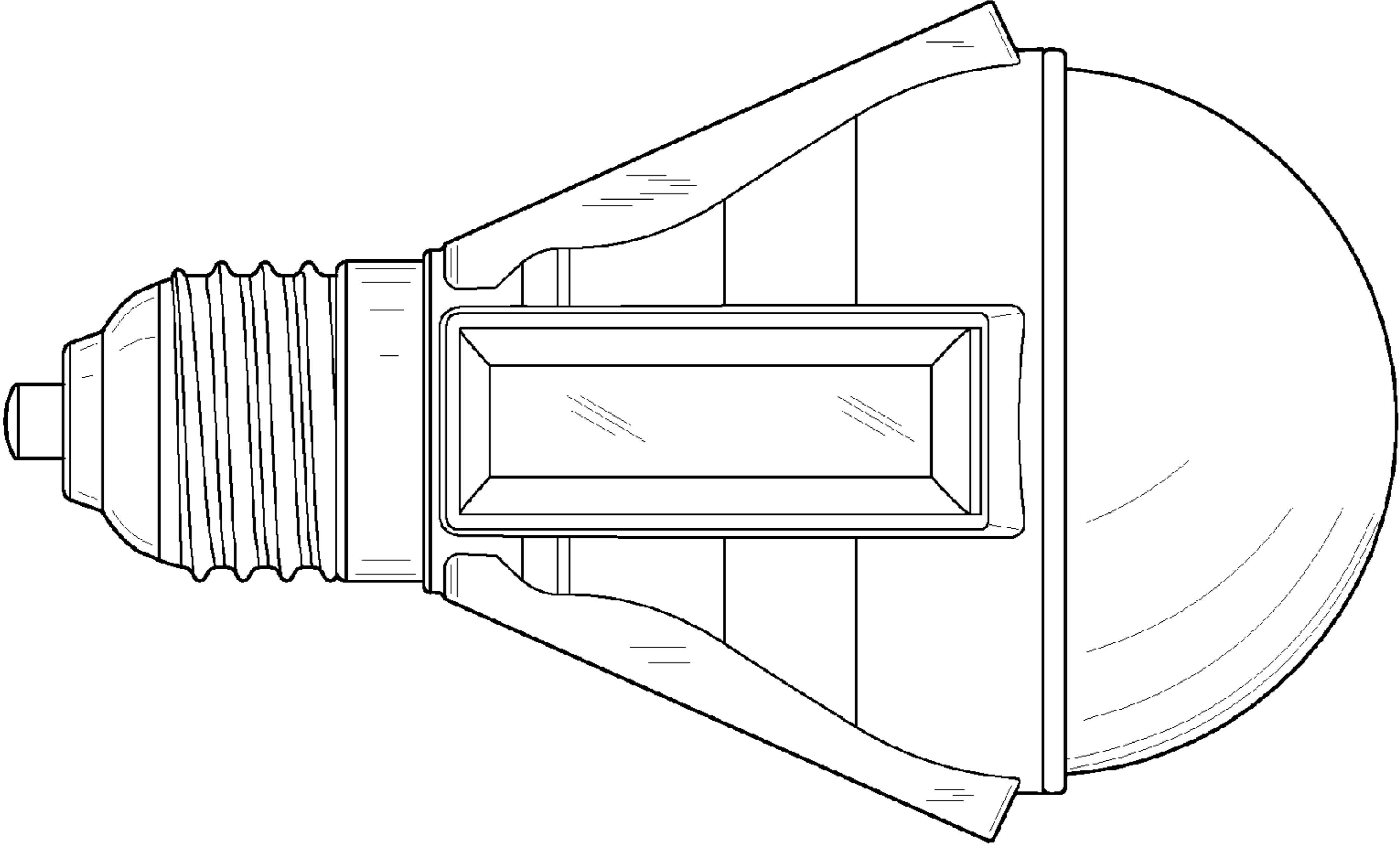


FIG. 4

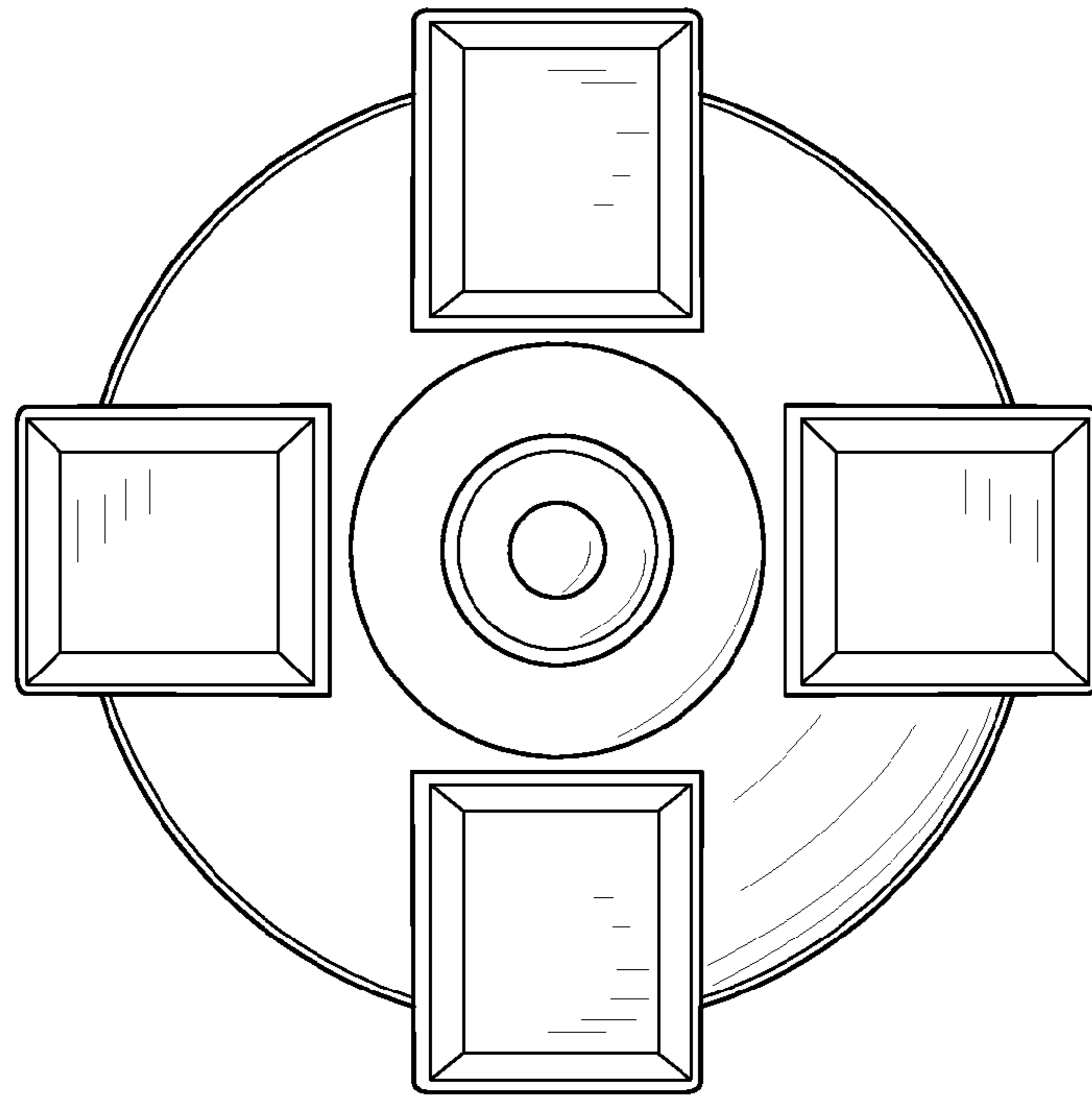


FIG. 6

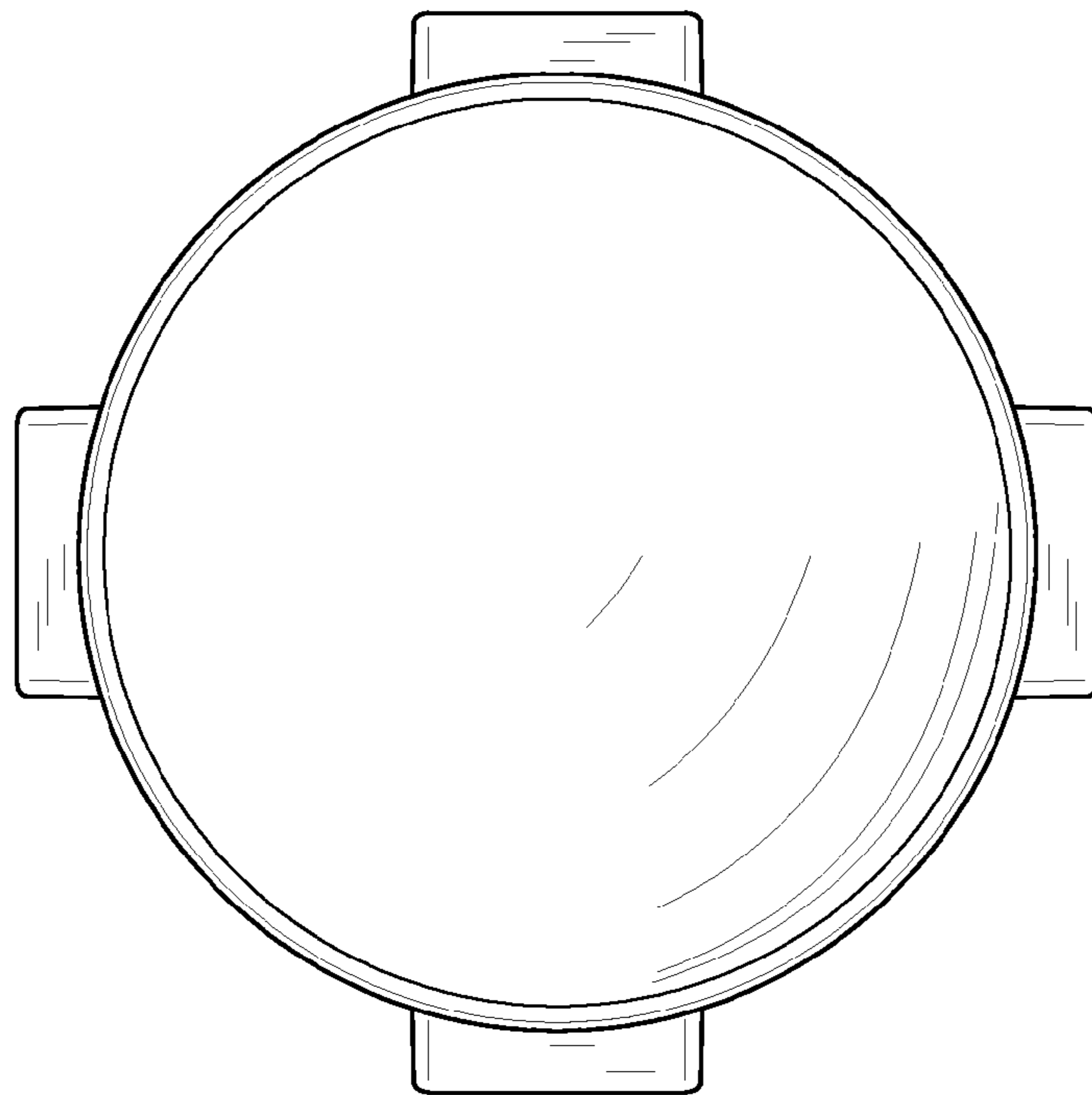


FIG. 7