



US00D633224S

(12) **United States Design Patent**
Lee

(10) **Patent No.:** **US D633,224 S**
(45) **Date of Patent:** **** Feb. 22, 2011**

(54) **LED LIGHTING**

D572,385 S * 7/2008 Mazzochette et al. D26/2

(75) Inventor: **Seung-Min Lee**, Yongin (KR)

* cited by examiner

(73) Assignee: **Hanbeam Co., Ltd**, Suwon (KR)

Primary Examiner—Marcus A Jackson
(74) *Attorney, Agent, or Firm*—Drinker & Biddle & Reath LLP

(**) Term: **14 Years**

(21) Appl. No.: **29/356,545**

(57) **CLAIM**

(22) Filed: **Feb. 26, 2010**

The ornamental design for a LED lighting, as shown and described.

(30) **Foreign Application Priority Data**

Aug. 27, 2009 (KR) 30-2009-0037937

DESCRIPTION

(51) **LOC (9) Cl.** **26-06**

FIG. 1 is a perspective view of a first embodiment of a LED lighting.

(52) **U.S. Cl.** **D26/2**

FIG. 2 is a front view of the first embodiment of the LED lighting.

(58) **Field of Classification Search** D26/1-4;
313/313, 315, 316, 317, 318, 493; 315/52,
315/53, 56, 57, 58

FIG. 3 is a rear view of the first embodiment of the LED lighting.

See application file for complete search history.

FIG. 4 is a left-side view of the first embodiment of the LED lighting, the right-side view being symmetric with respect to the left-side view; and,

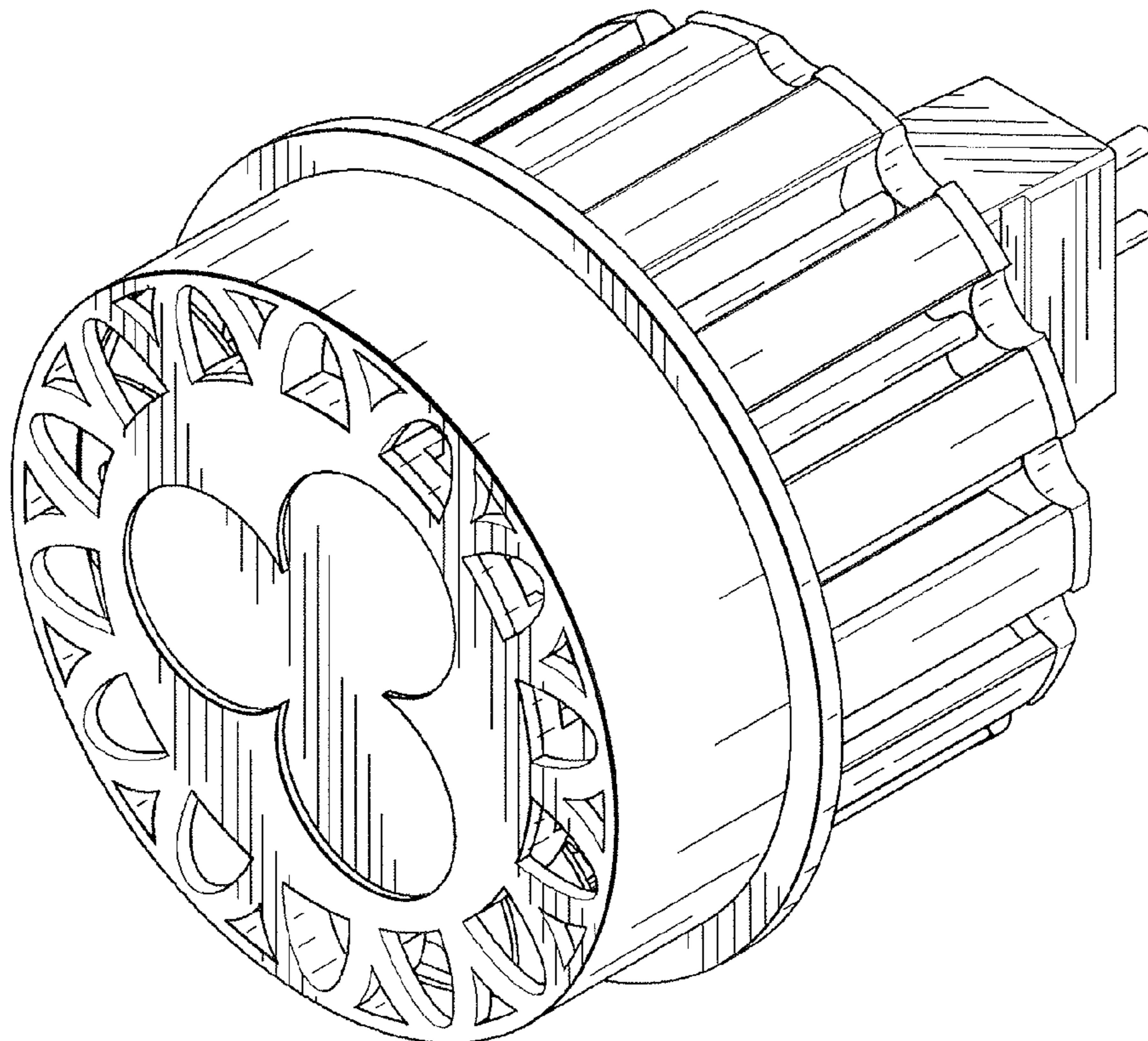
(56) **References Cited**

U.S. PATENT DOCUMENTS

- D538,951 S * 3/2007 Maxik et al. D26/2
- D545,457 S * 6/2007 Chen D26/2
- D546,980 S * 7/2007 Lo D26/2
- D551,784 S * 9/2007 Krieglmeyer et al. D26/2
- D556,300 S * 11/2007 Lin et al. D23/295

FIG. 5 is a top view of the first embodiment of the LED lighting, the bottom view being symmetric with respect to the top view.

1 Claim, 5 Drawing Sheets



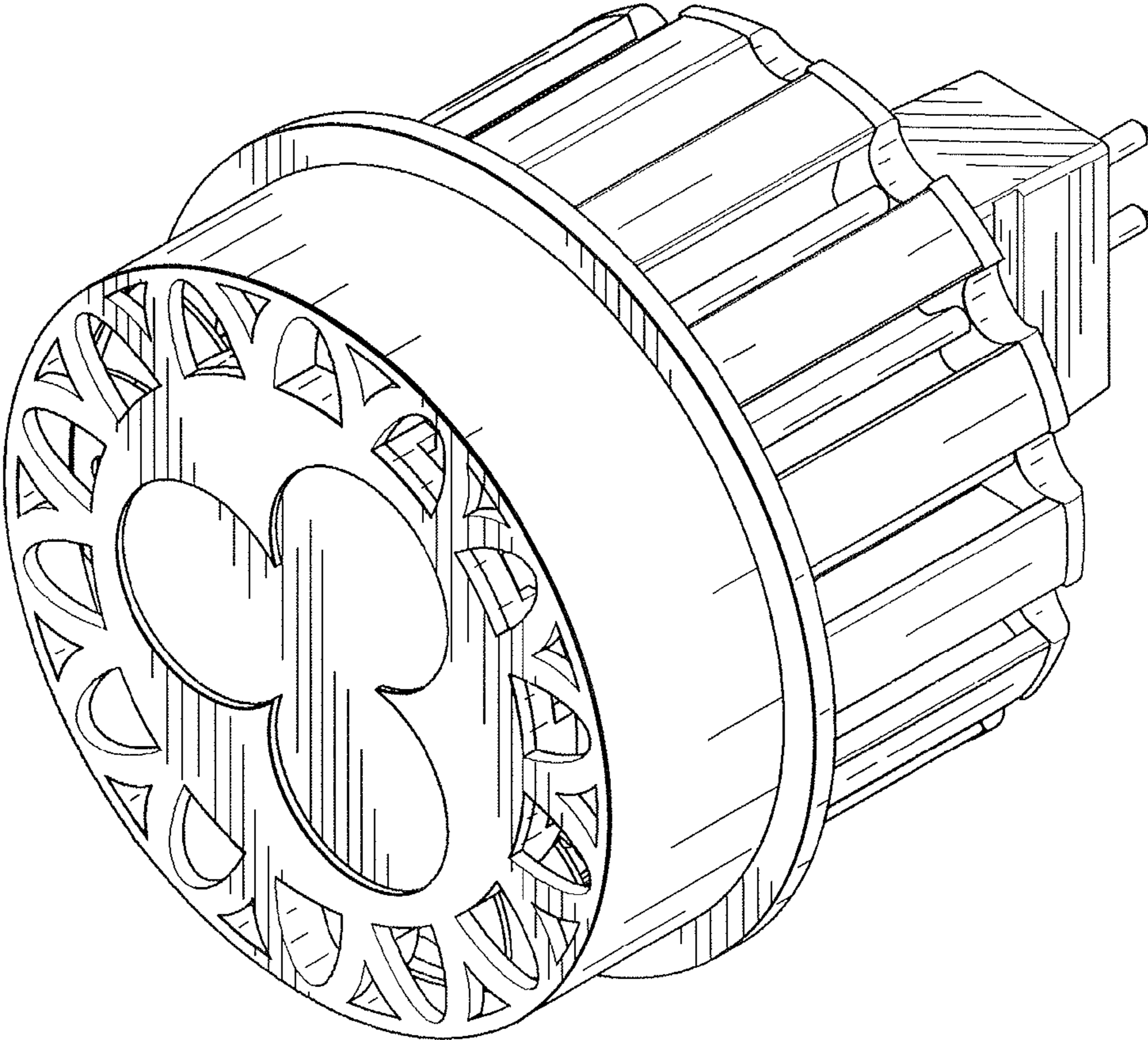


FIG. 1

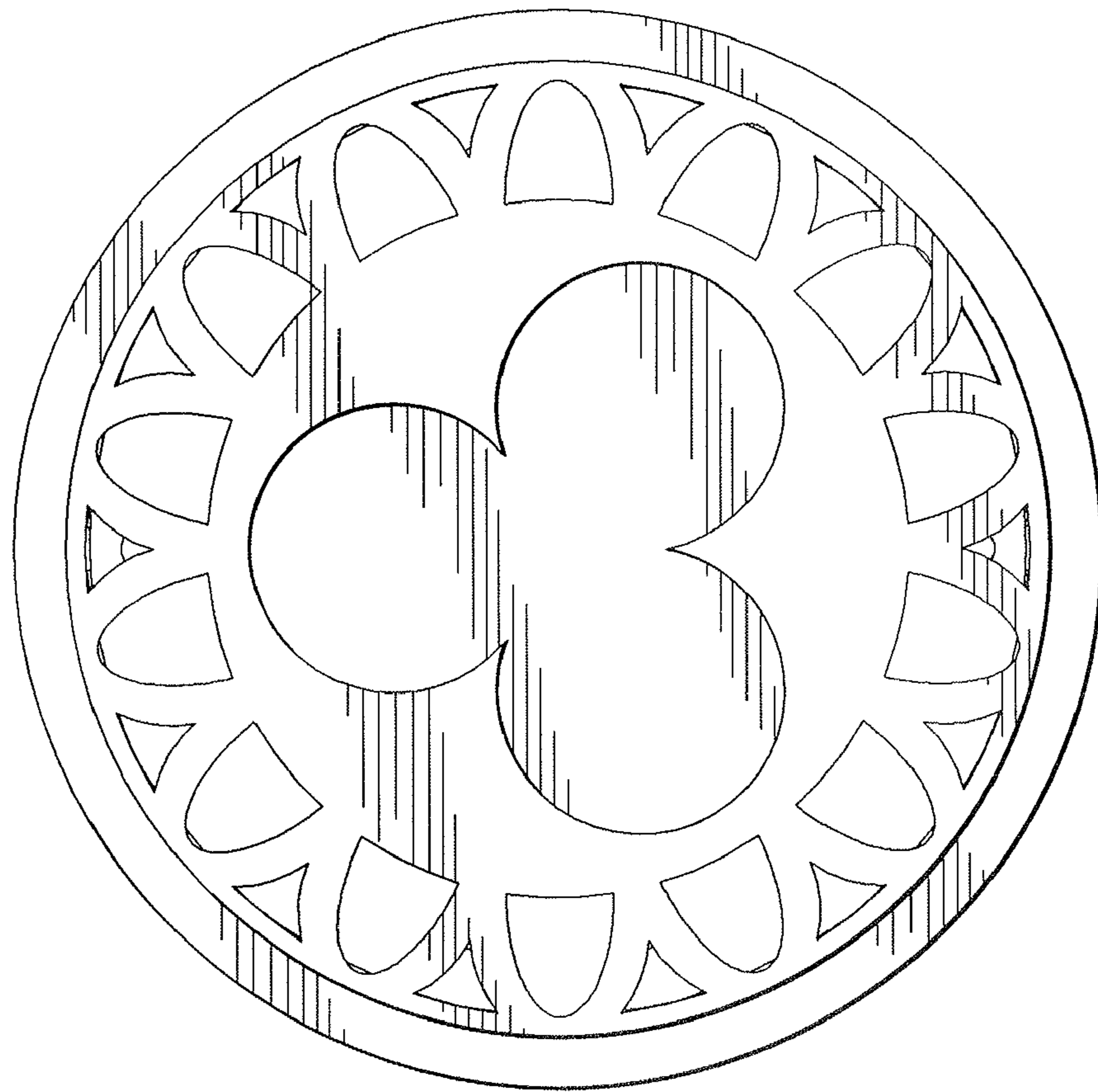


FIG. 2

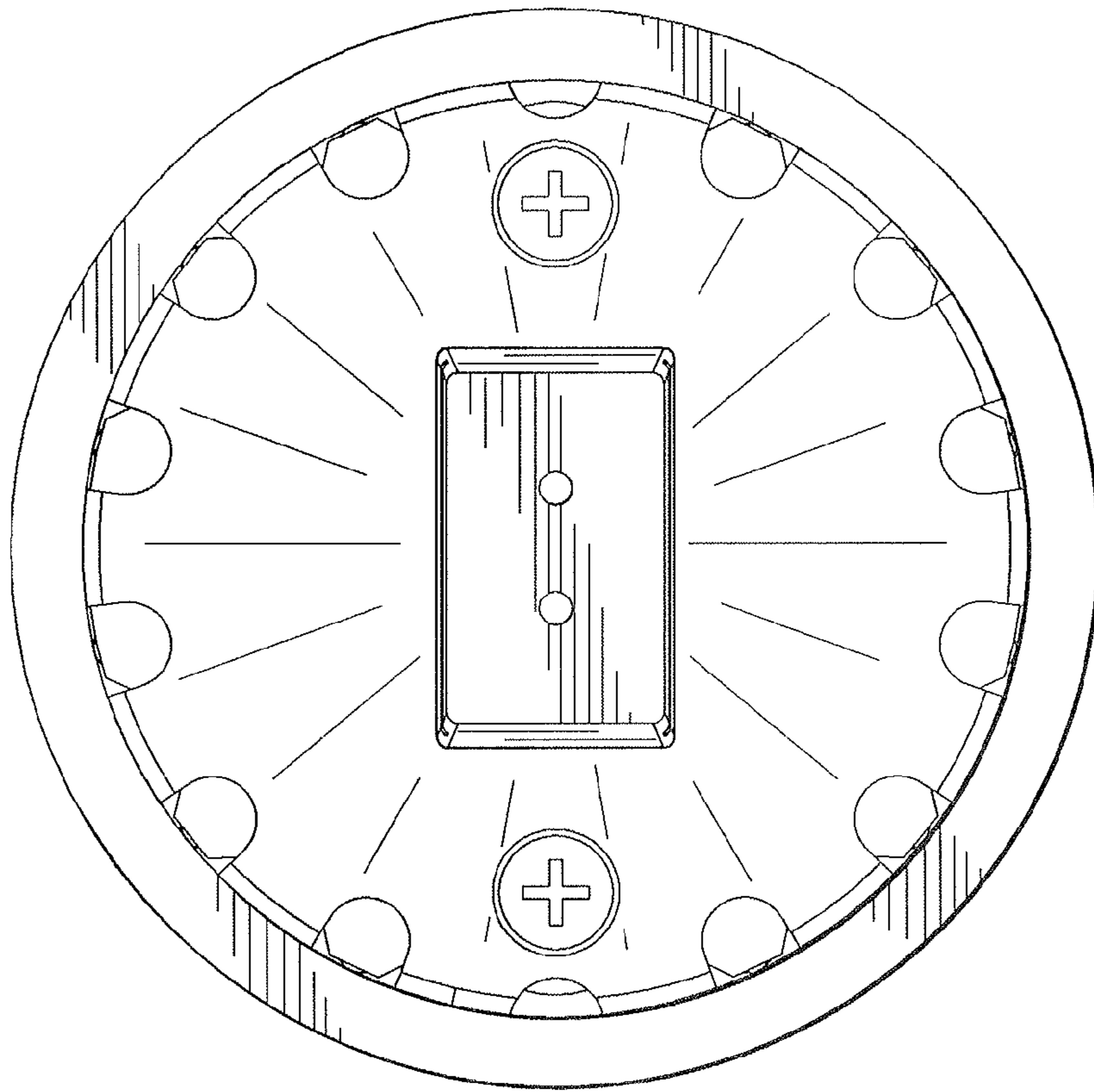


FIG. 3

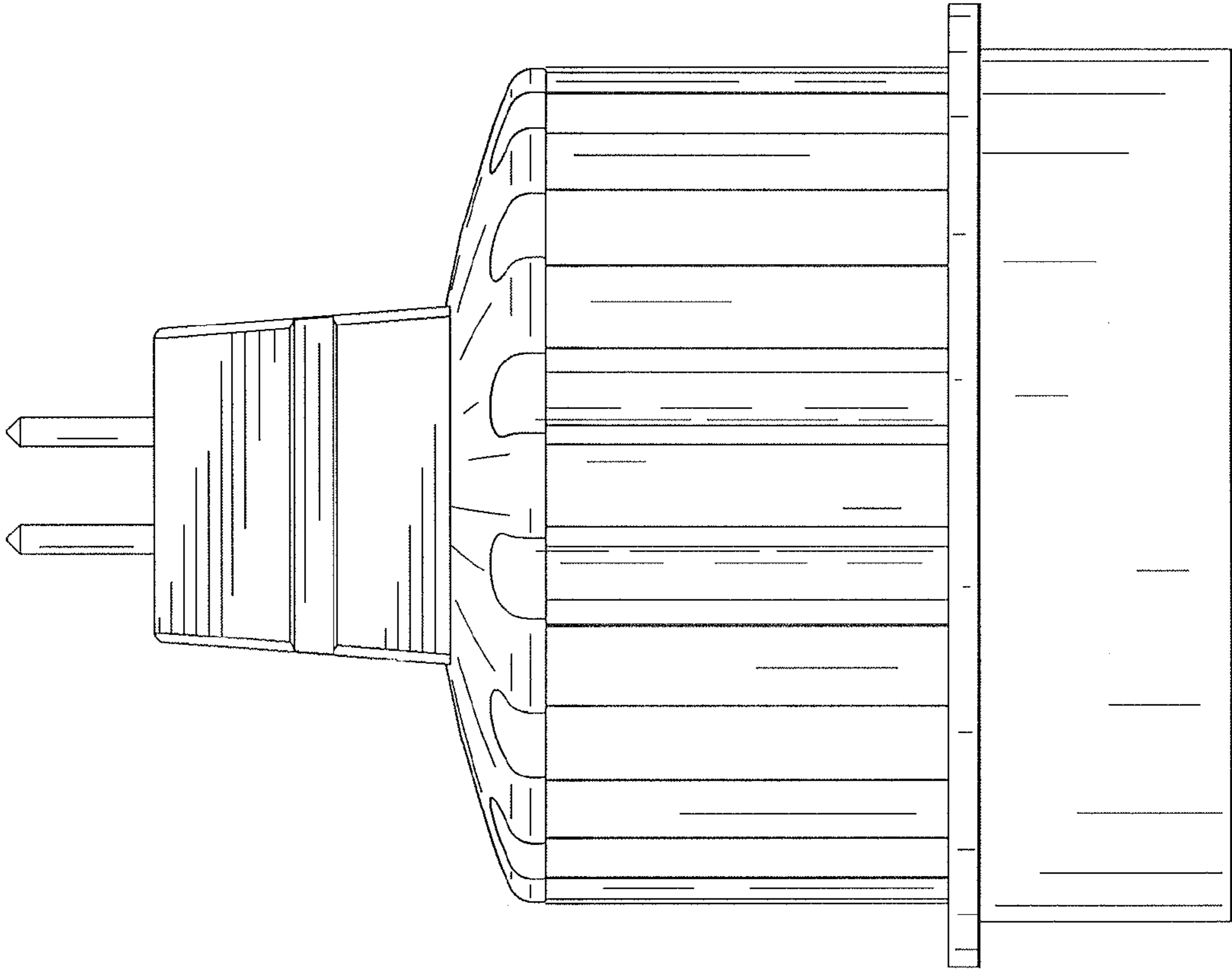


FIG. 4

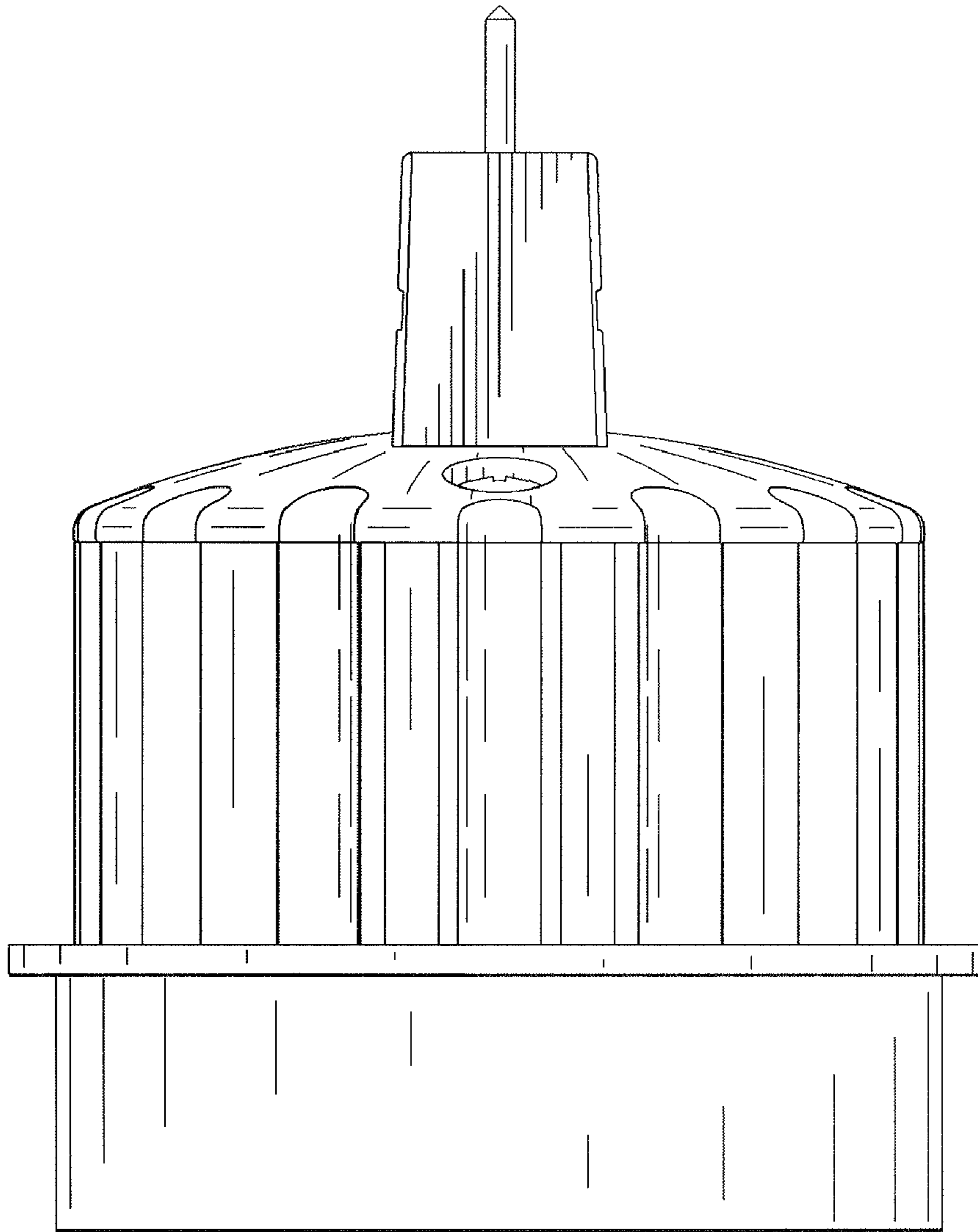


FIG. 5