



US00D633214S

(12) **United States Design Patent**
Smits

(10) **Patent No.:** **US D633,214 S**

(45) **Date of Patent:** **** Feb. 22, 2011**

(54) **HYPEREXTENSION BRACE**

(75) Inventor: **Jan Smits**, Helmond (NL)

(73) Assignee: **Camp Scandinavia AB**, Helsingborg (SE)

(**) Term: **14 Years**

(21) Appl. No.: **29/337,768**

(22) Filed: **May 29, 2009**

(30) **Foreign Application Priority Data**

Dec. 2, 2008 (EM) 001049811

(51) **LOC (9) Cl.** **24-01**

(52) **U.S. Cl.** **D24/190; D24/191**

(58) **Field of Classification Search** D24/190,
D24/191; 602/5, 17-20, 36-37; 128/97.1,
128/845, 857, DIG. 23; 2/462, 468; D29/108;
D2/602; 5/636, 640; 606/54, 306, 319, 331,
606/907

See application file for complete search history.

(56) **References Cited**

U.S. PATENT DOCUMENTS

2,582,930	A *	1/1952	Jewett	602/19
2,808,050	A *	10/1957	Ward	602/19
D186,642	S *	11/1959	Hale	D24/190
3,177,869	A *	4/1965	Bartels	602/18
3,220,407	A *	11/1965	Connelly	602/19
3,957,040	A *	5/1976	Calabrese	602/36

RE31,564	E *	4/1984	Hendricks	602/19
4,735,196	A *	4/1988	Krag et al.	602/18
5,088,482	A *	2/1992	McGuinness	602/18
5,195,947	A *	3/1993	Bode	602/18
5,302,170	A *	4/1994	Tweardy	602/17
6,267,741	B1 *	7/2001	Lerman	602/18
6,790,191	B1 *	9/2004	Hendricks	602/19
7,150,719	B2 *	12/2006	Meyer	601/19

* cited by examiner

Primary Examiner—Susan E Krakower

(74) *Attorney, Agent, or Firm*—Volpe and Koenig, P.C.

(57) **CLAIM**

The ornamental design for hyperextension brace, as shown and described.

DESCRIPTION

FIG. 1 is a perspective view of a hyperextension brace according to my design;

FIG. 2 is a right side view of a hyperextension brace;

FIG. 3 is a left side view of a hyperextension brace;

FIG. 4 is a front view of a hyperextension brace;

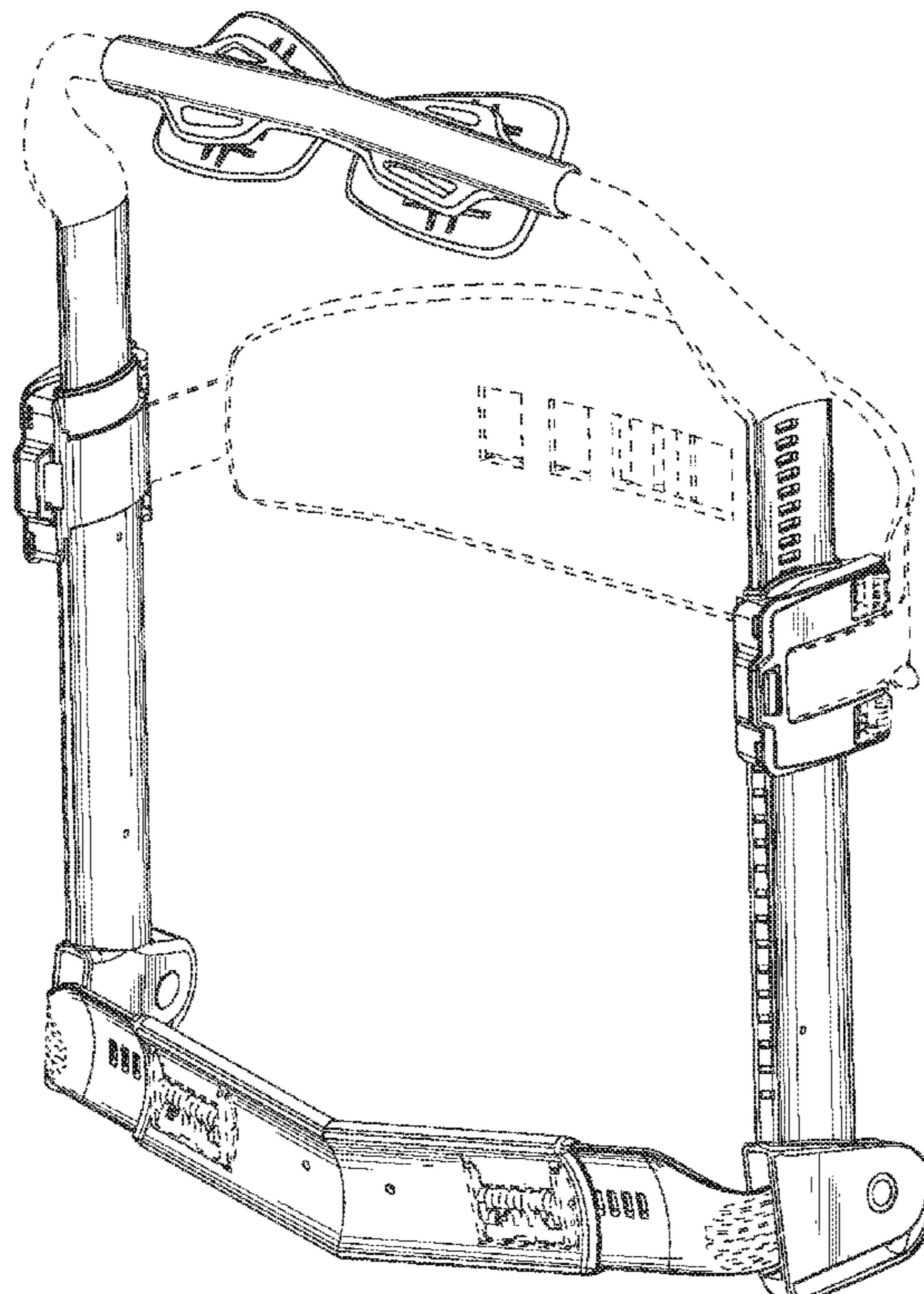
FIG. 5 is a rear view of a hyperextension brace;

FIG. 6 is a top view of a hyperextension brace; and,

FIG. 7 is a bottom view of a hyperextension brace.

The broken lines illustrate portions of a hyperextension brace which form no part of the claimed design.

1 Claim, 6 Drawing Sheets



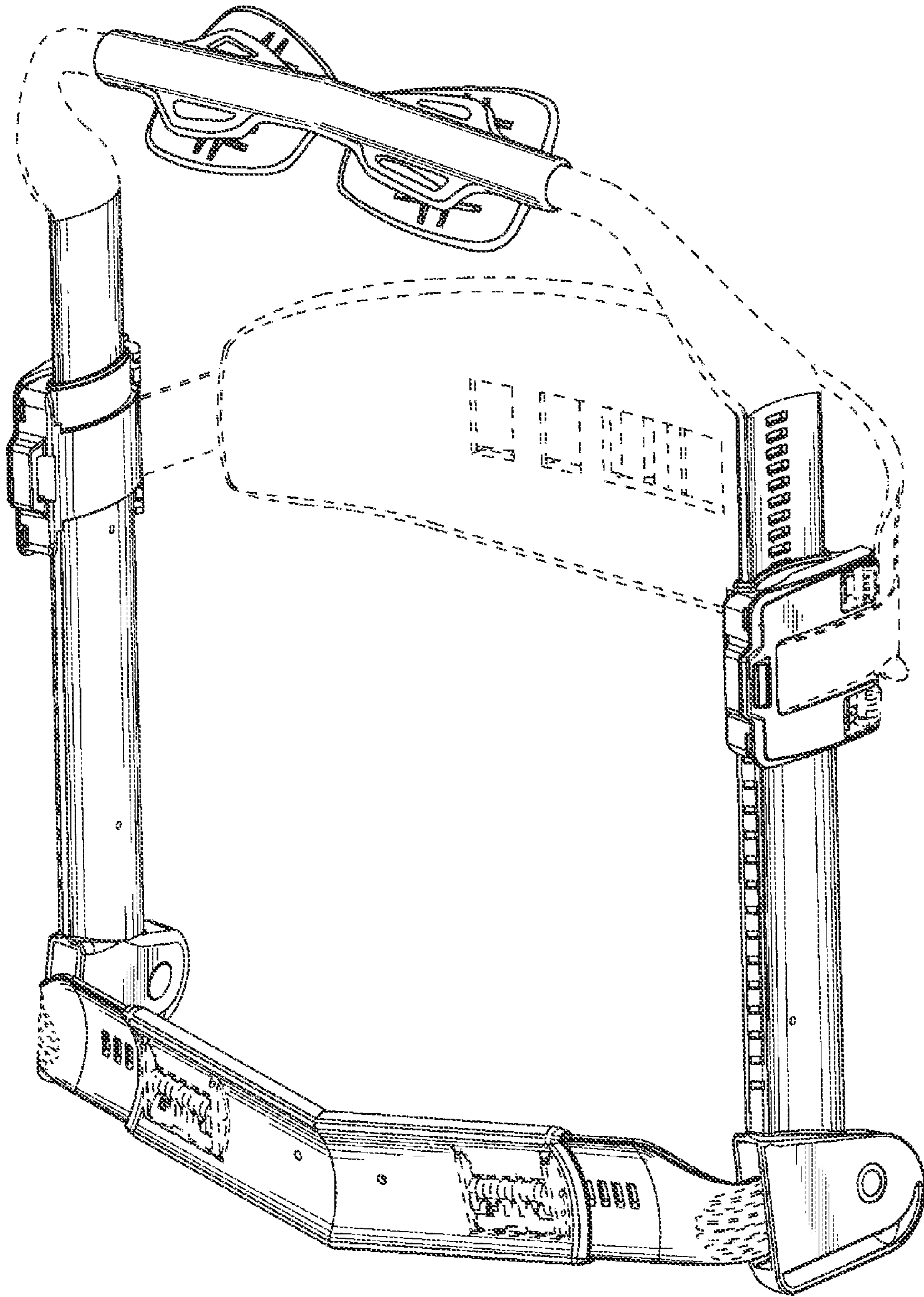


Fig. 1

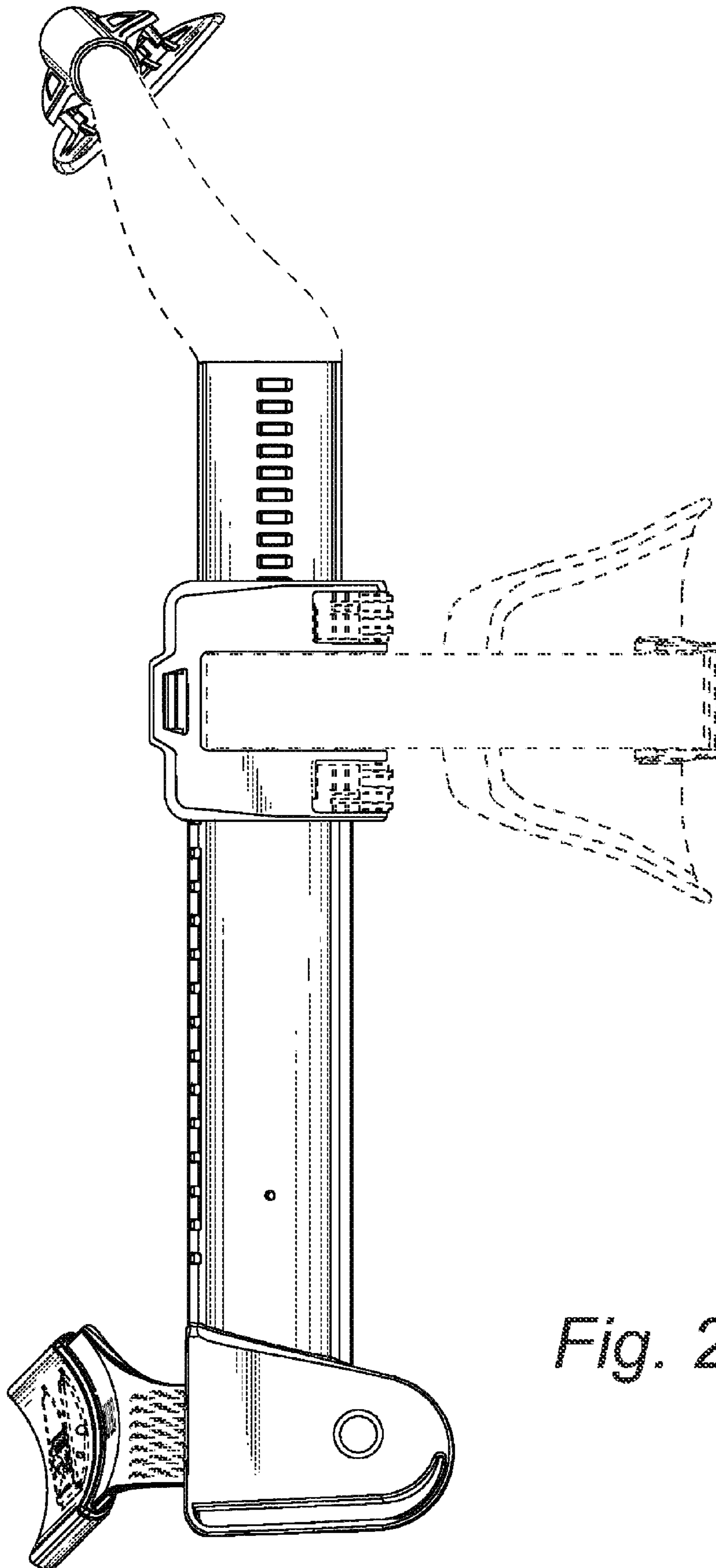


Fig. 2

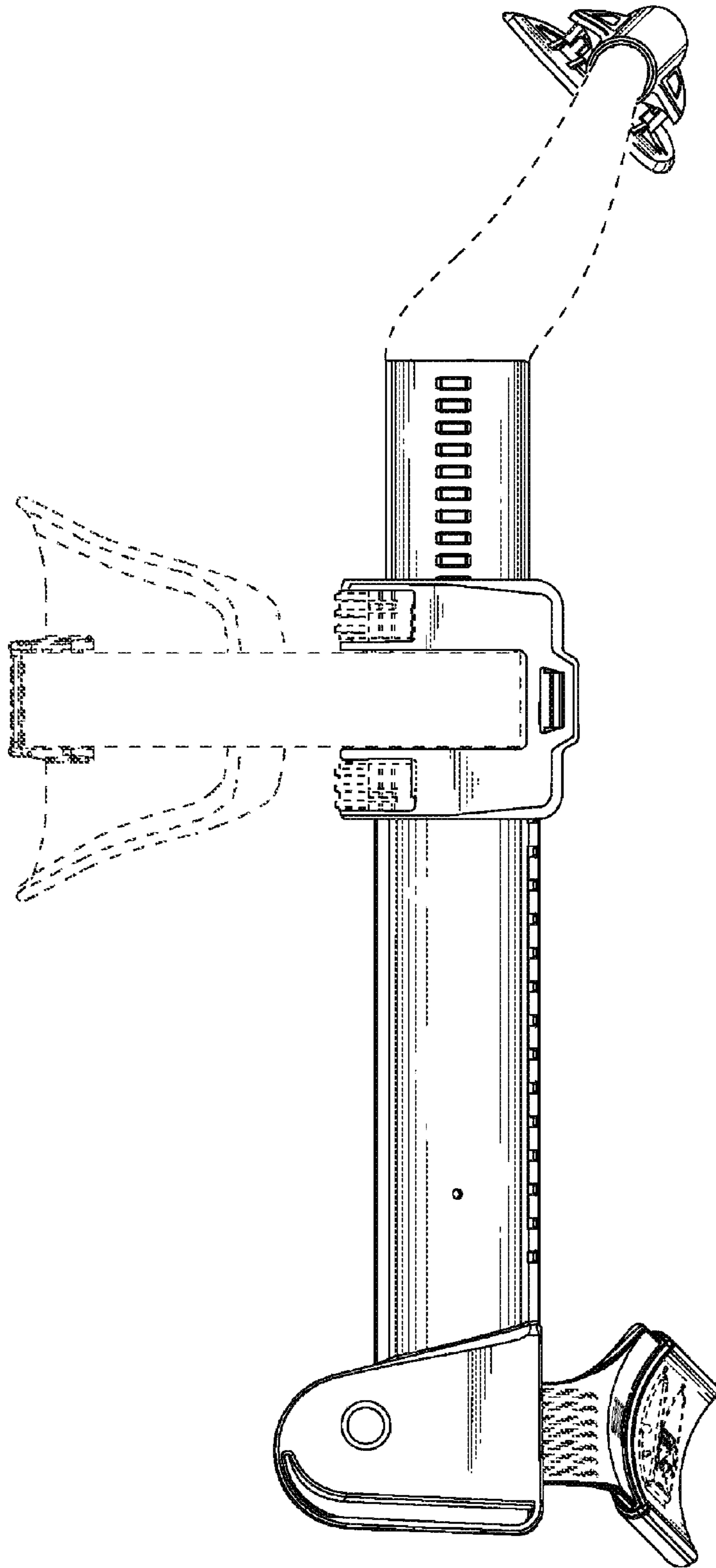


Fig. 3

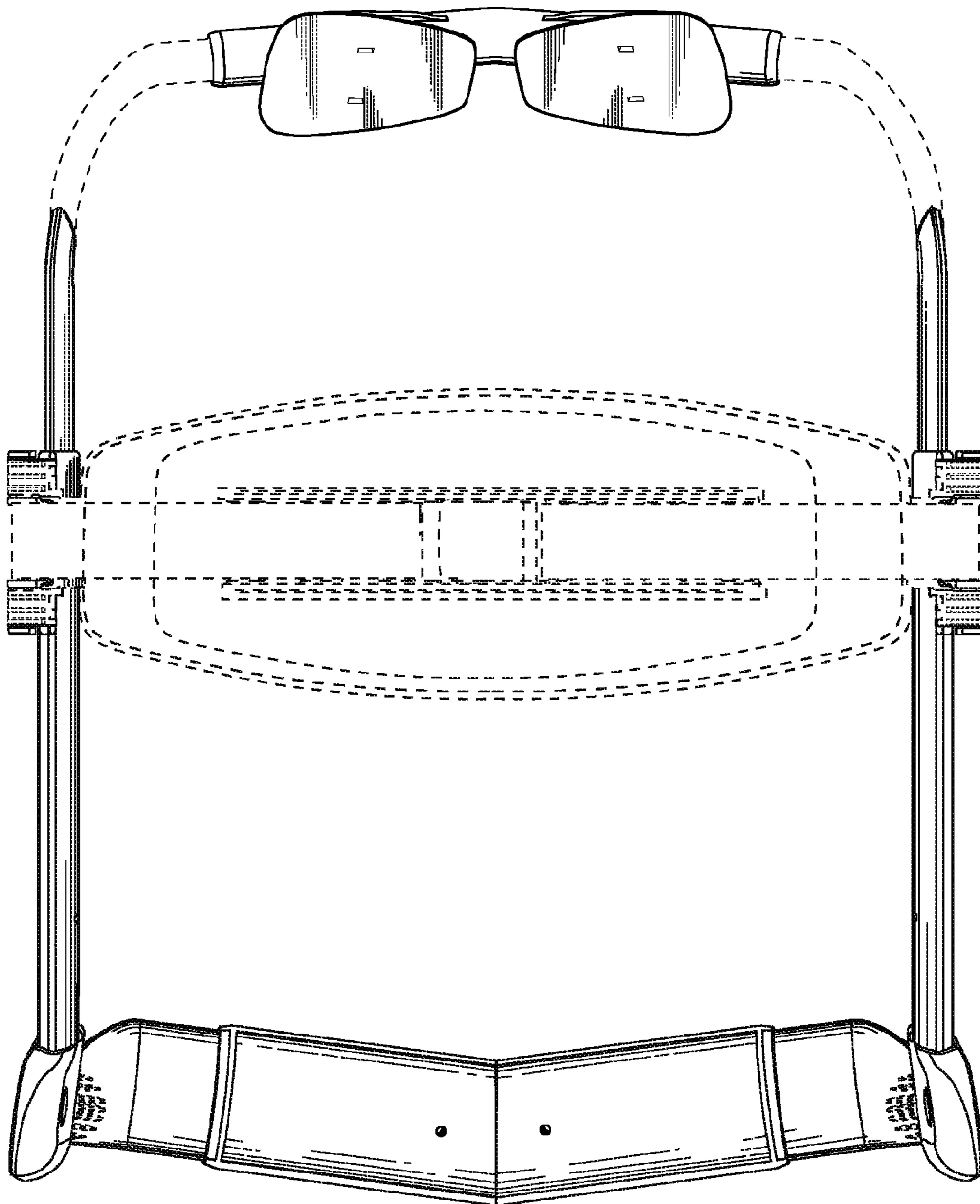


Fig. 4

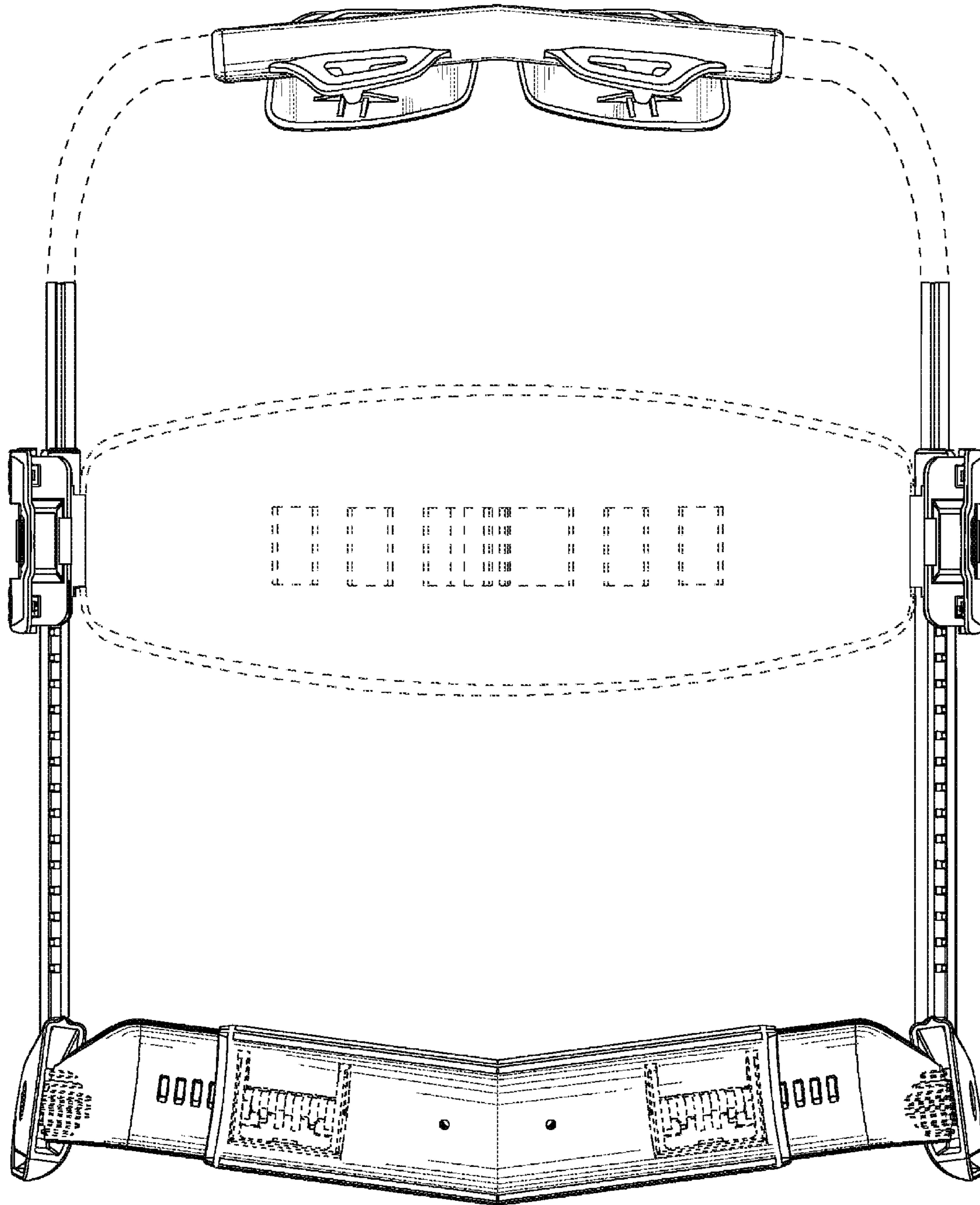


Fig. 5

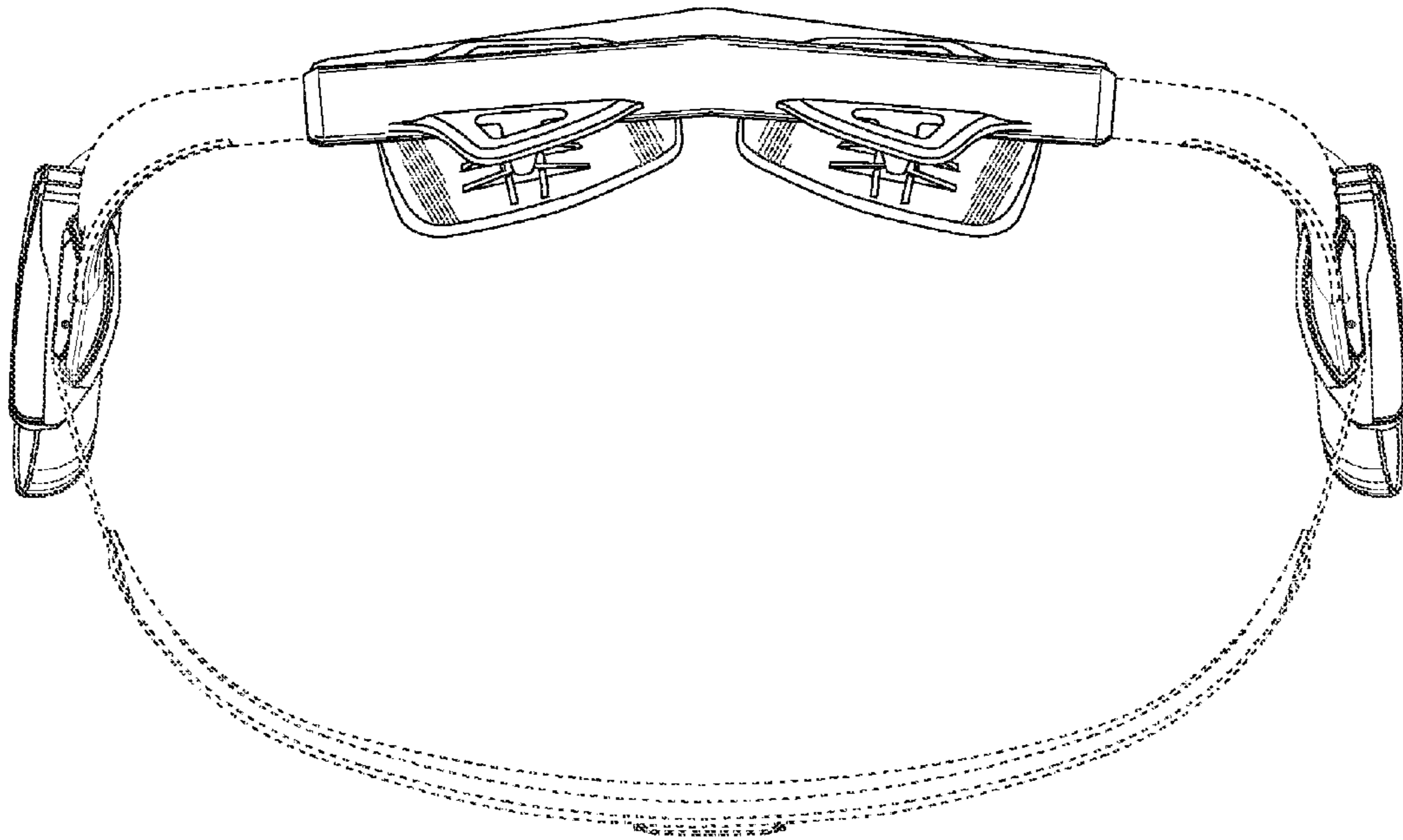


Fig. 6

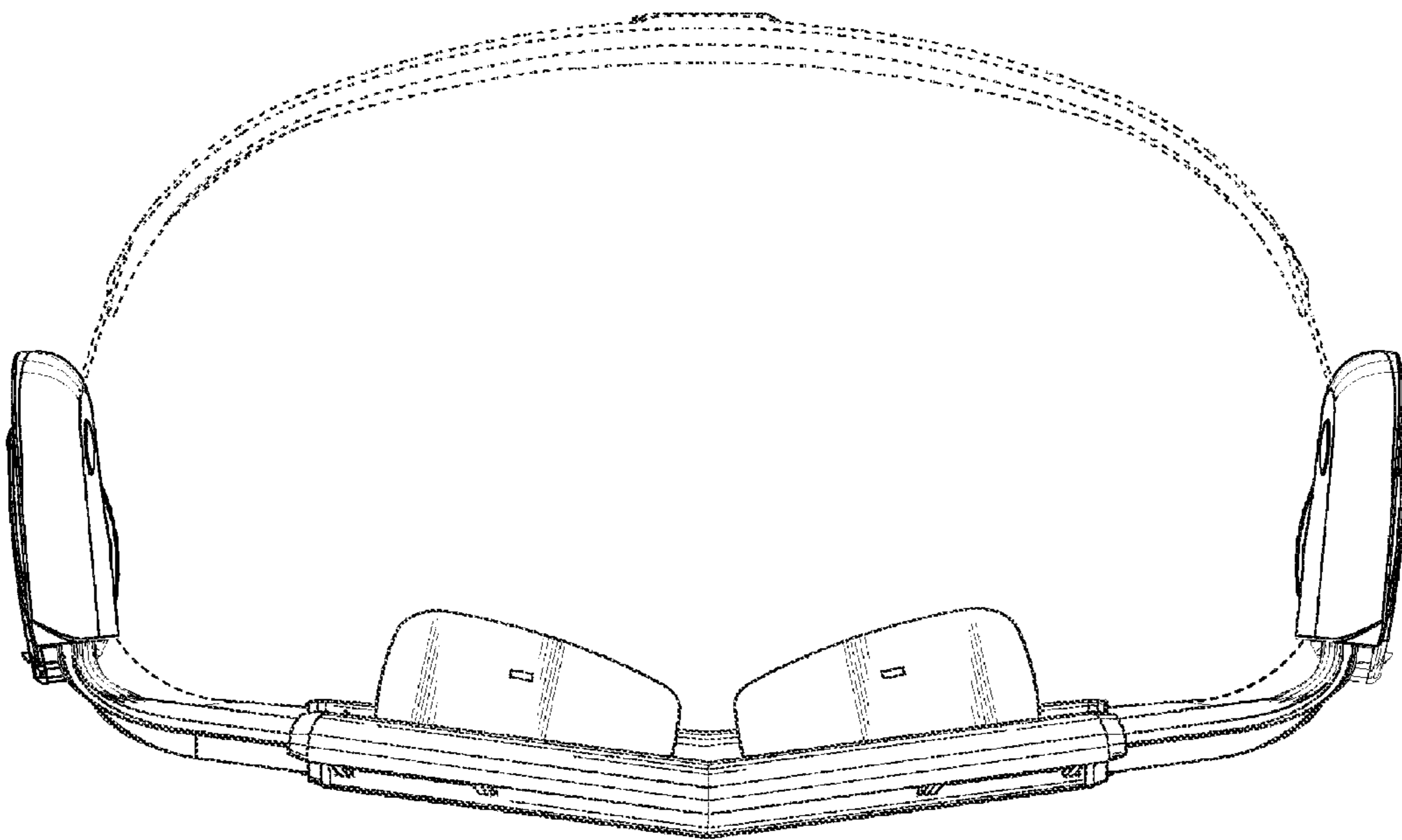


Fig. 7