



US00D633213S

(12) **United States Design Patent**
Cowles

(10) **Patent No.:** **US D633,213 S**

(45) **Date of Patent:** **** Feb. 22, 2011**

(54) **BANDAGE ROLL**

(76) **Inventor:** **John Cowles**, 29 Lincoln Way, San Francisco, CA (US) 94122

(**) **Term:** **14 Years**

(21) **Appl. No.:** **29/301,034**

(22) **Filed:** **Aug. 18, 2007**

(51) **LOC (9) Cl.** **24-04**

(52) **U.S. Cl.** **D24/189**

(58) **Field of Classification Search** D24/189;
206/390, 440, 441, 460, 499, 579, 820; D19/67,
D19/69

See application file for complete search history.

(56) **References Cited**

U.S. PATENT DOCUMENTS

| | | | | | |
|-----------|-----|---------|-----------------|-------|---------|
| 3,835,992 | A * | 9/1974 | Adams, IV | | 206/390 |
| 4,807,753 | A * | 2/1989 | Goldstein | | 206/390 |
| 5,118,381 | A * | 6/1992 | Ryder et al. | | 156/552 |
| 5,429,589 | A * | 7/1995 | Cartmell et al. | | 602/42 |
| 5,685,833 | A * | 11/1997 | Turngren | | 602/58 |
| 5,891,078 | A * | 4/1999 | Turngren et al. | | 602/58 |
| D428,922 | S * | 8/2000 | Packard et al. | | D19/69 |

| | | | | | |
|-----------|------|---------|------------|-------|-----------|
| D472,319 | S * | 3/2003 | Oltmann | | D24/189 |
| 6,638,270 | B2 * | 10/2003 | Johnson | | 604/890.1 |
| 7,012,170 | B1 * | 3/2006 | Tomauioulo | | 602/57 |
| D571,859 | S * | 6/2008 | Harmston | | D19/69 |
| D572,156 | S * | 7/2008 | Payne | | D10/71 |

* cited by examiner

Primary Examiner—Holly H Baynham

Assistant Examiner—Michelle E Wilson

(74) *Attorney, Agent, or Firm*—Matlock Law Group, PC

(57) **CLAIM**

The ornamental design for a bandage roll, as shown and described.

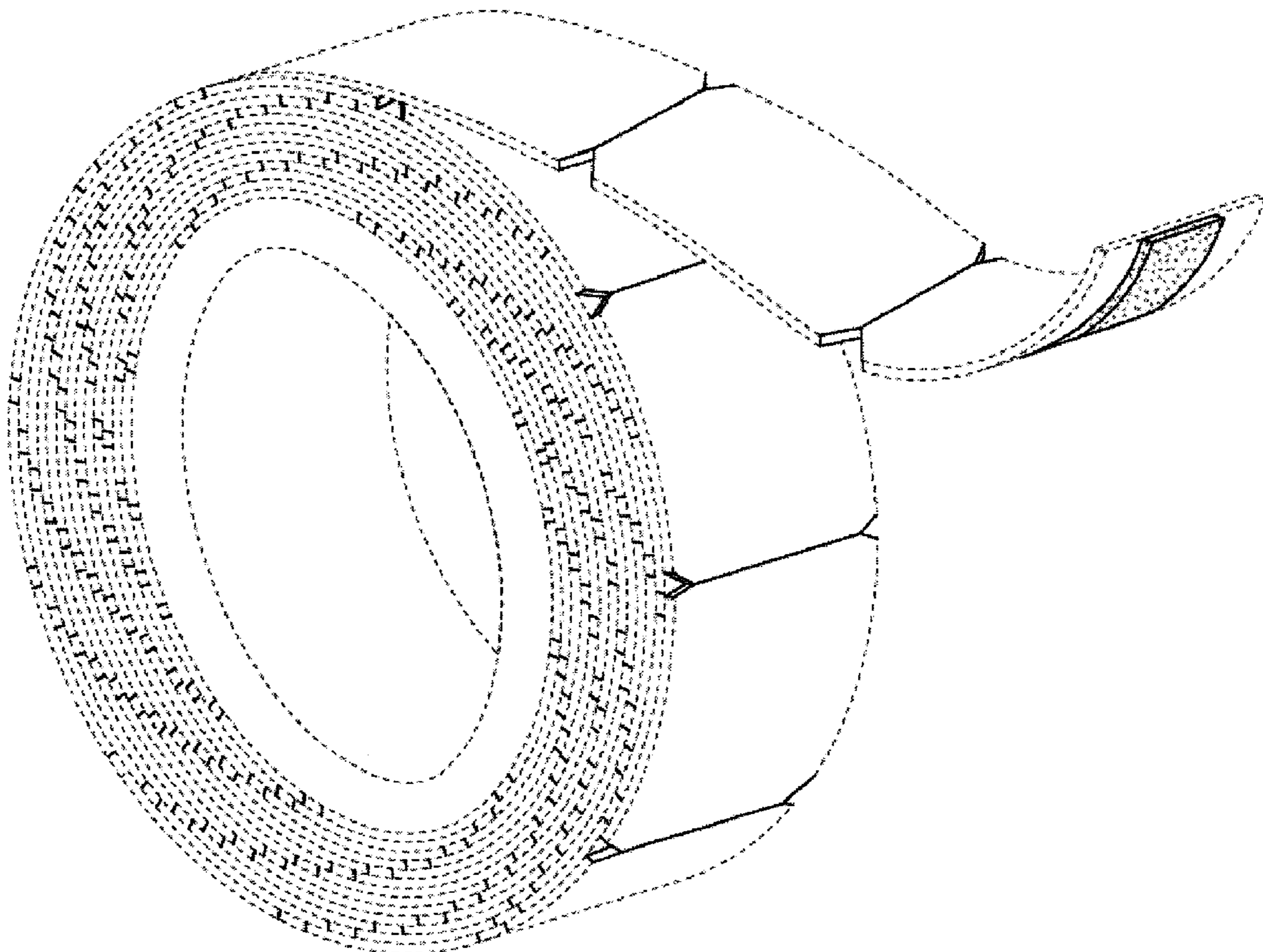
DESCRIPTION

FIG. 1 is a side/front elevation view of an entire roll showing the ornamental notches, perforations, and decorative raised center of my new design; and,

FIG. 2 is a top plan enlarged view showing the ornamental notches, perforations and decorative raised center thereof.

The broken line showing of a decorative tape bandage roll is included for the purpose of illustrating environmental structure and forms no part of the claimed design.

1 Claim, 2 Drawing Sheets



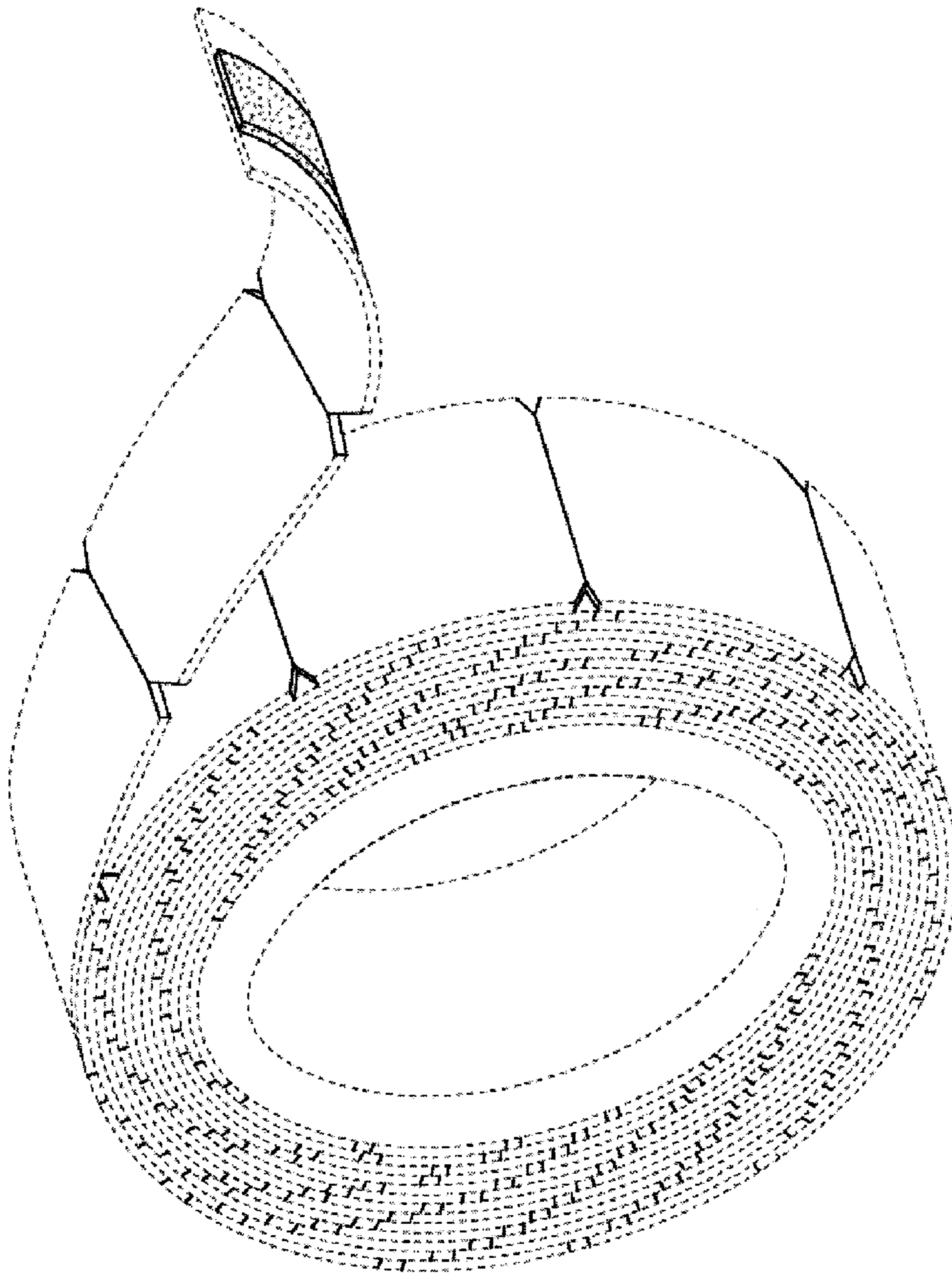


FIG. 1

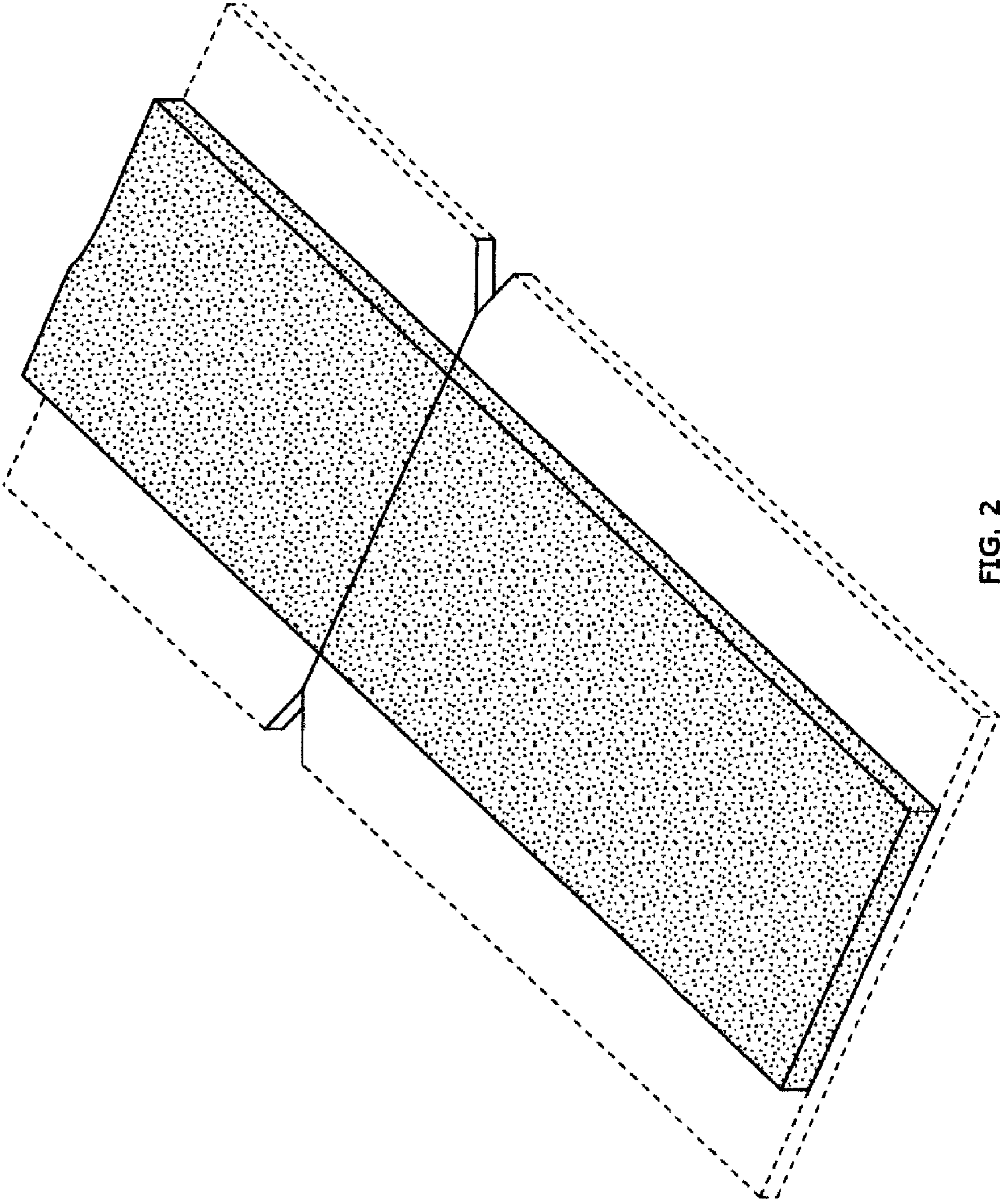


FIG. 2