



US00D633211S

(12) **United States Design Patent**
Takemoto

(10) **Patent No.:** **US D633,211 S**

(45) **Date of Patent:** **** Feb. 22, 2011**

(54) **HEARING AID HOUSING**

(75) Inventor: **Masaki Takemoto**, Ehime (JP)

(73) Assignee: **Panasonic Corporation**, Osaka (JP)

(**) Term: **14 Years**

(21) Appl. No.: **29/350,844**

(22) Filed: **Nov. 24, 2009**

(30) **Foreign Application Priority Data**

Jun. 5, 2009 (JP) 2009-012698

(51) **LOC (9) Cl.** **24-99**

(52) **U.S. Cl.** **D24/174**

(58) **Field of Classification Search** D24/173-175,
D24/106; D14/205, 223, 224, 249; 381/23.1,
381/312, 322-324, 328-330, 334
See application file for complete search history.

(56) **References Cited**

U.S. PATENT DOCUMENTS

- D251,234 S 3/1979 Håkansson et al.
- D251,852 S 5/1979 Guice
- D273,706 S 5/1984 McCall
- D294,862 S 3/1988 Diefenbach
- D322,126 S 12/1991 van Mourik
- D322,319 S 12/1991 van Mourik
- D354,568 S 1/1995 Araki et al.
- D385,036 S 10/1997 Nielsen
- D411,885 S 7/1999 Mavrakis et al.
- D457,635 S 5/2002 Dittli et al.
- D471,630 S 3/2003 Schelbach
- D506,258 S 6/2005 Nielsen
- D516,216 S 2/2006 Portmann
- D529,612 S 10/2006 Feeley et al.
- D530,819 S 10/2006 Jurkiewicz et al.
- D532,111 S 11/2006 Espersen
- D541,420 S 4/2007 Darbut et al.
- D546,455 S 7/2007 Darbut et al.
- D557,419 S 12/2007 Jurkiewicz et al.
- D558,880 S 1/2008 Le
- D560,808 S 1/2008 Jurkiewicz

- D562,459 S 2/2008 Jurkiewicz
- D562,983 S 2/2008 Jurkiewicz
- D568,480 S 5/2008 Lockenwitz
- D572,823 S * 7/2008 Niccolai et al. D24/174
- D575,872 S 8/2008 Pedersen

(Continued)

FOREIGN PATENT DOCUMENTS

JP D814315 7/1991

(Continued)

Primary Examiner—T. Chase Nelson

Assistant Examiner—Anhdao Doan

(74) *Attorney, Agent, or Firm*—Brinks Hofer Gilson & Lione

(57) **CLAIM**

I claim the ornamental design for a hearing aid housing, as shown and described.

DESCRIPTION

FIG. 1 is a top perspective view of a hearing aid housing of the present invention;

FIG. 2 is a front view thereof;

FIG. 3 is a rear view thereof;

FIG. 4 is a first side view thereof;

FIG. 5 is a second side view thereof;

FIG. 6 is a top view thereof;

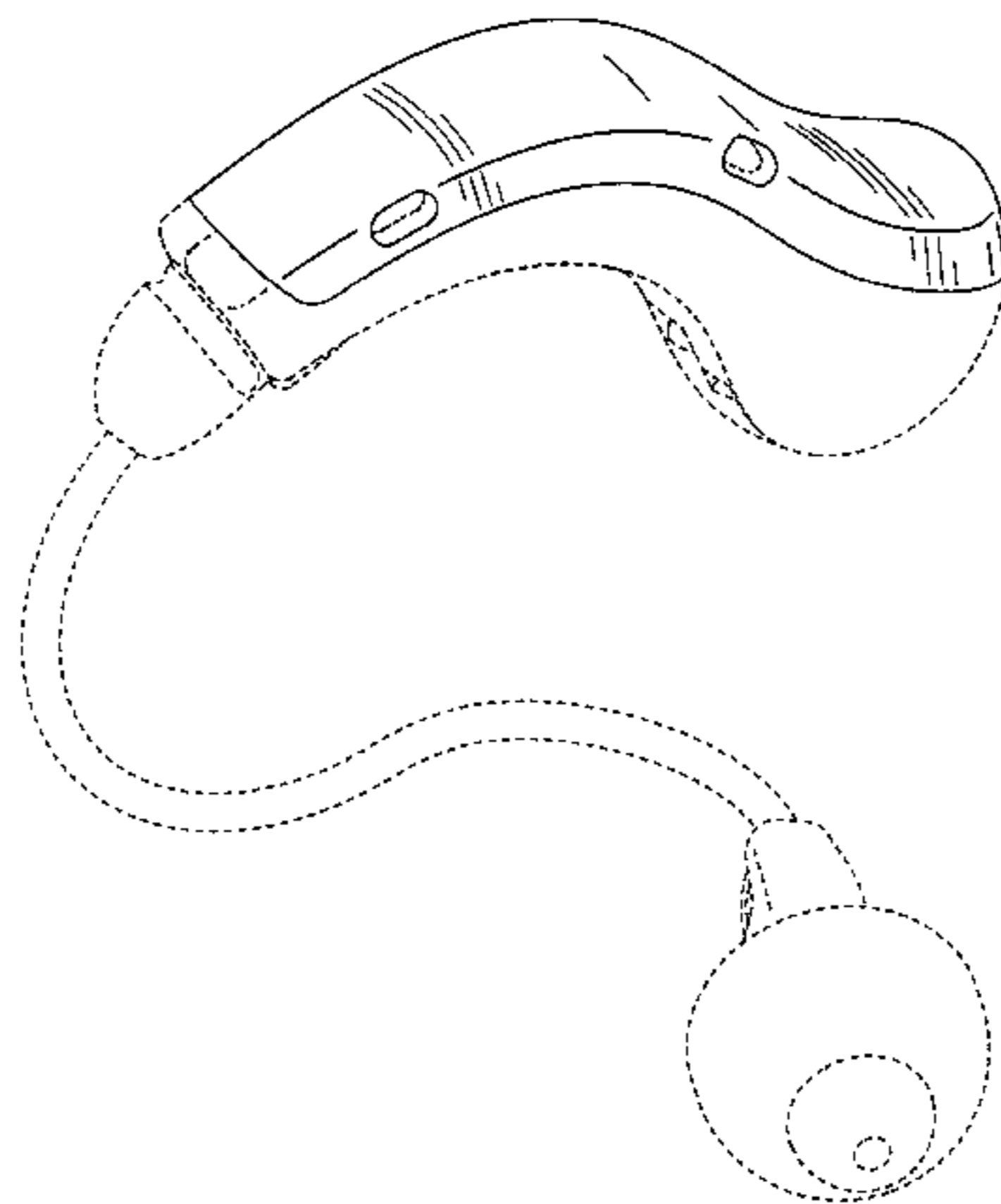
FIG. 7 is a bottom view thereof; and,

FIG. 8 is a top perspective view thereof shown in an environmental use.

The broken line showing of hearing aid housing is included for the purpose of illustrating environment and forms no part of the claimed design.

There are two oval holes on each side of the hearing aid housing. The peripheries of the holes are part of the claimed design but the inner surfaces of the holes form no part of the claimed design.

1 Claim, 8 Drawing Sheets



US D633,211 S

Page 2

U.S. PATENT DOCUMENTS

			JP	D1090215	11/2000
			JP	D1160851	12/2002
D579,567	S	10/2008	JP	D1191477	12/2003
			JP	D1191480	12/2003
D587,378	S	2/2009	JP	D1194501	1/2004
			JP	D1309272	9/2007
D595,856	S	7/2009	JP	D1323108	3/2008
			JP	D1323110	3/2008
7,590,255	B2 *	9/2009	JP	D1333147	6/2008
			JP	D1333148	6/2008
			JP	D1265177	2/2009
D605,769	S *	12/2009	JP	D1370640	10/2009
			JP	D1370641	10/2009
2008/0152177	A1 *	6/2008	JP	D1370990	10/2009

FOREIGN PATENT DOCUMENTS

JP	D847917	9/1992
JP	D872059	7/1993
JP	D951266	4/1996
JP	D1009144	5/1998
JP	D1009144/1	4/2000

* cited by examiner

FIG.1

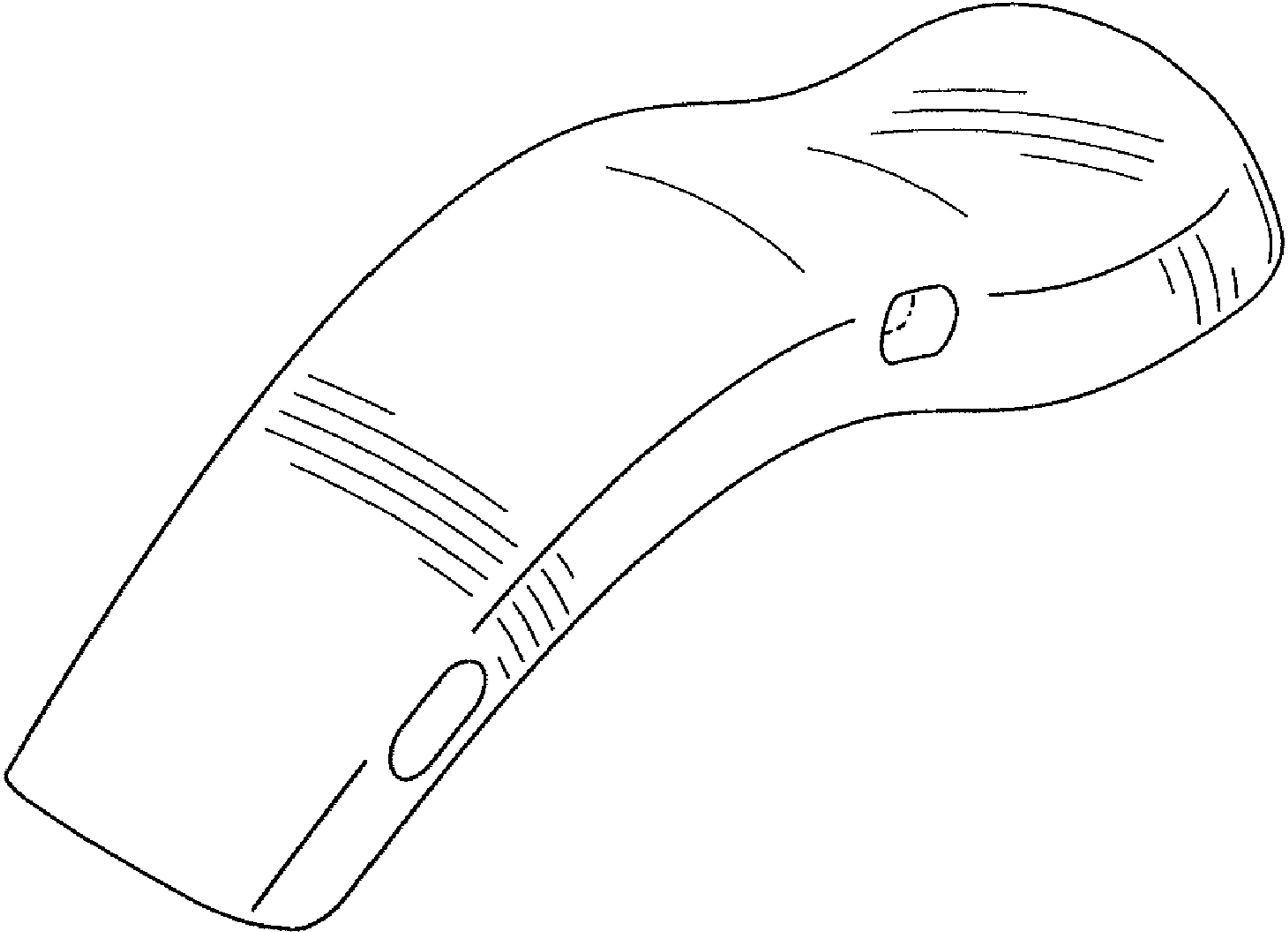


FIG.2

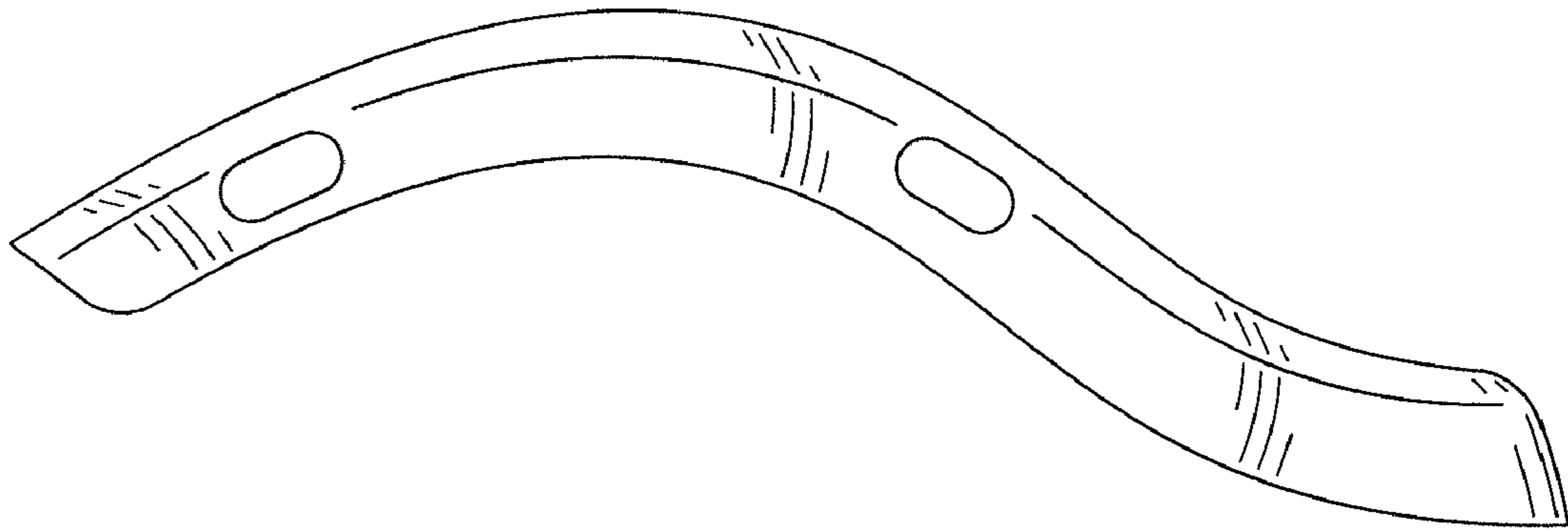


FIG.3

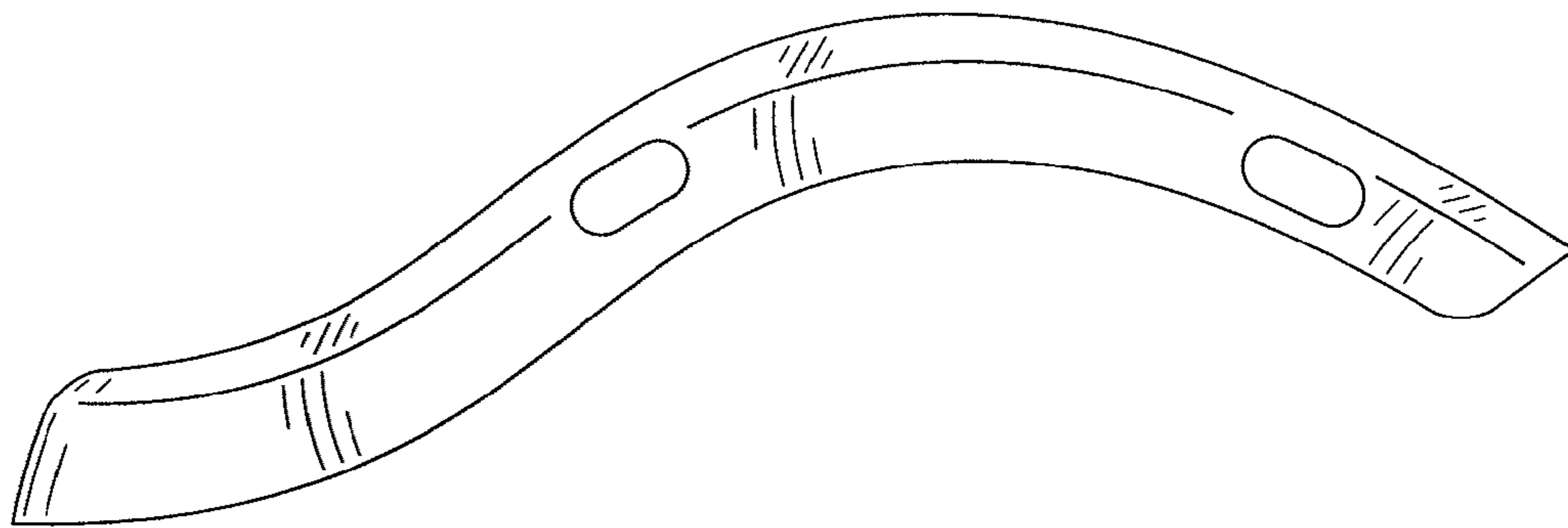


FIG.4

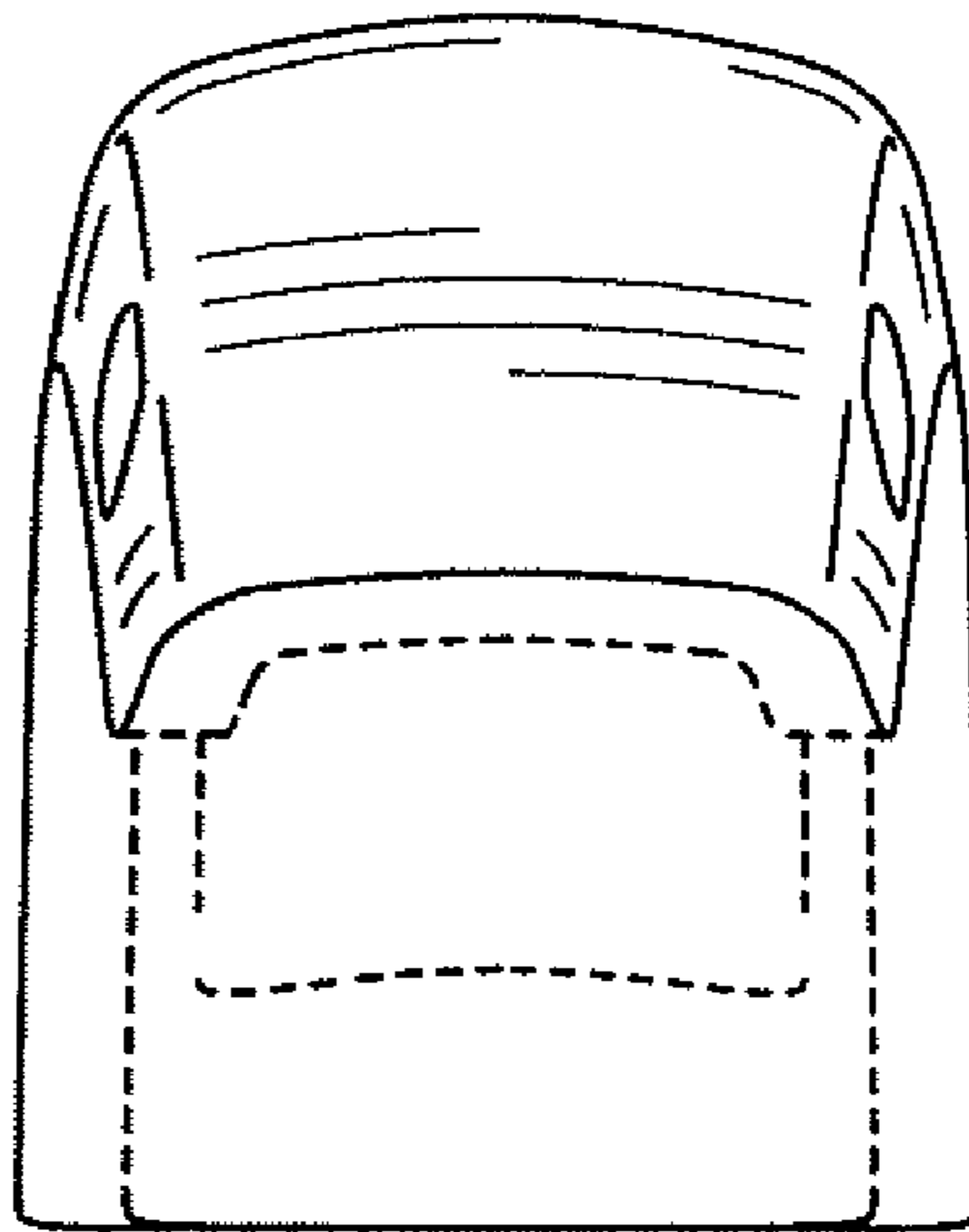


FIG.5

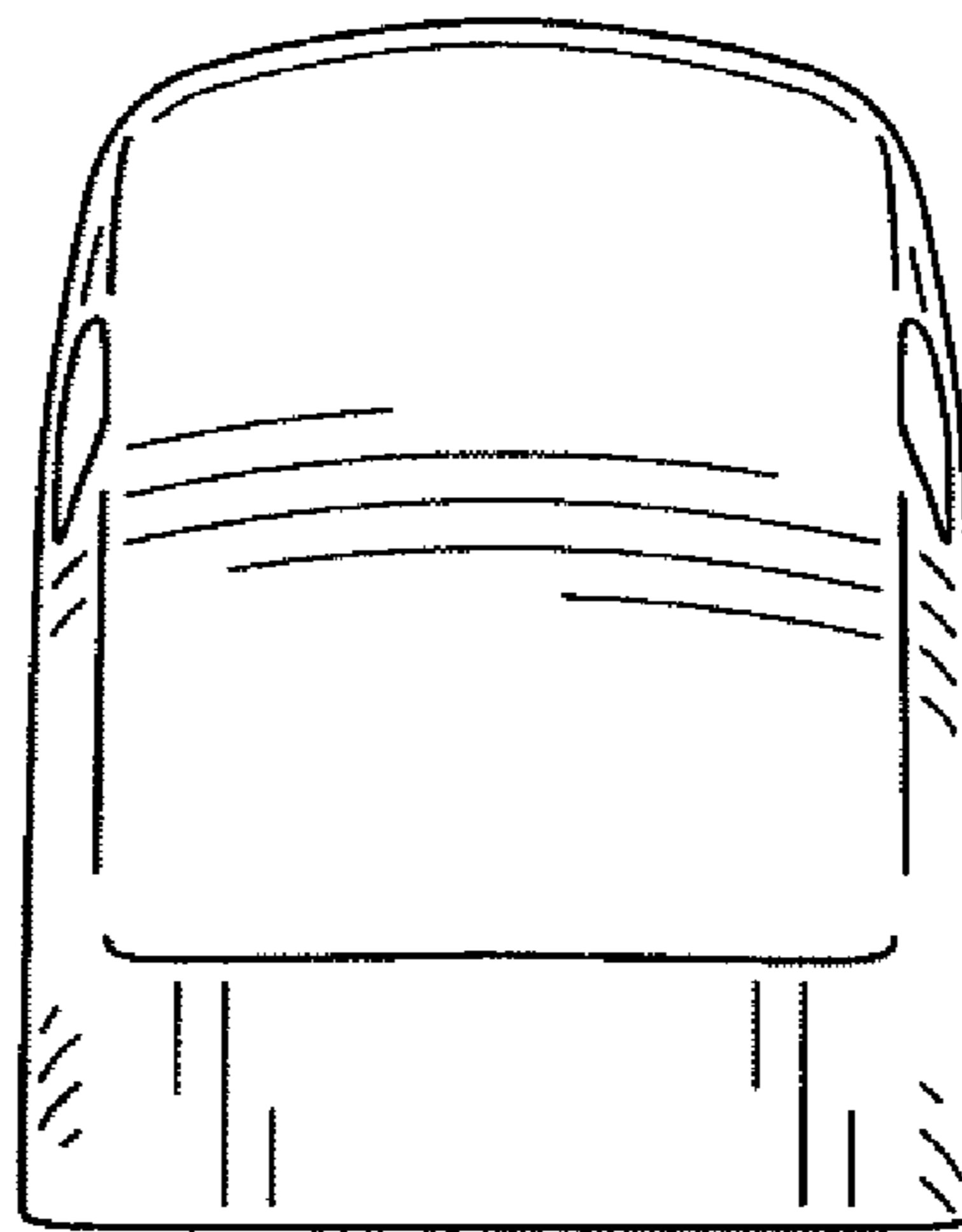


FIG.6

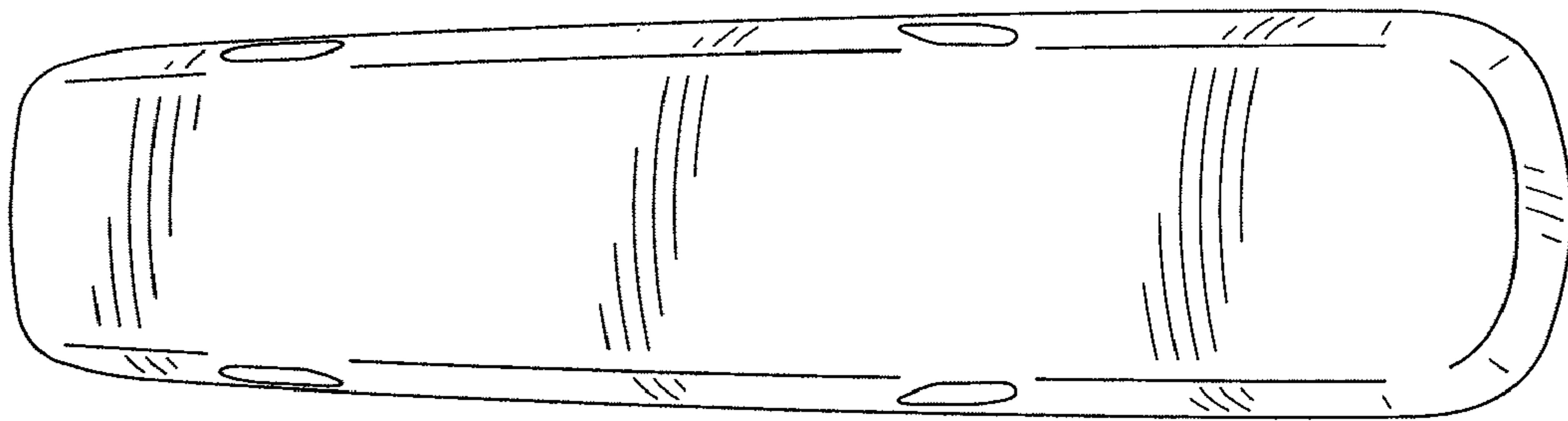


FIG.7

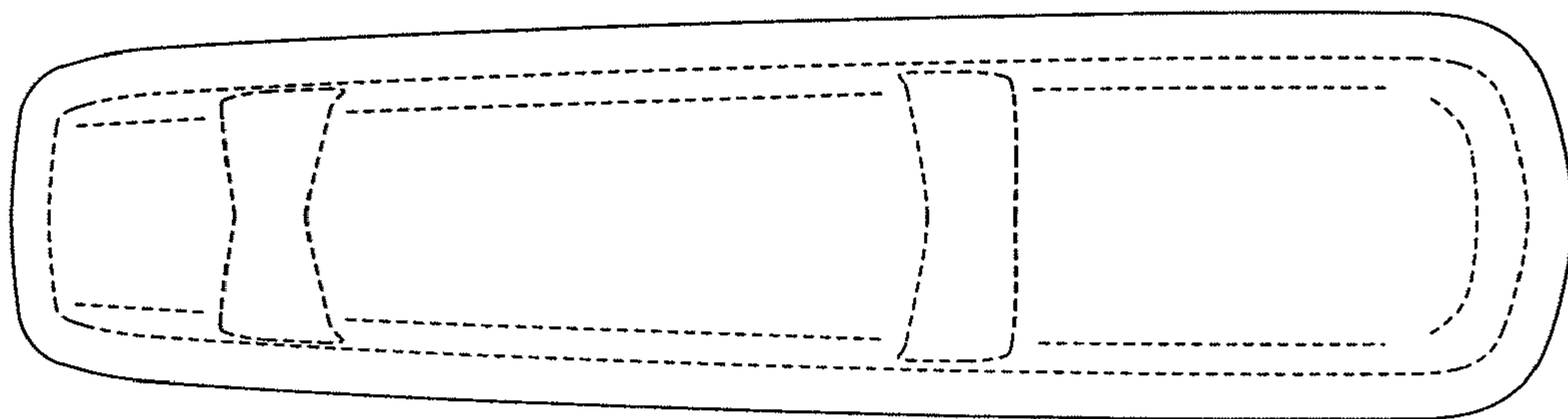


FIG.8

