



US00D633210S

(12) **United States Design Patent**  
**Takemoto**

(10) **Patent No.:** **US D633,210 S**  
(45) **Date of Patent:** **\*\* Feb. 22, 2011**

(54) **HEARING AID**

(75) Inventor: **Masaki Takemoto**, Ehime (JP)

(73) Assignee: **Panasonic Corporation**, Osaka (JP)

(\*\*) Term: **14 Years**

(21) Appl. No.: **29/350,840**

(22) Filed: **Nov. 24, 2009**

(30) **Foreign Application Priority Data**

Jun. 5, 2009 (JP) ..... 2009-012697

(51) **LOC (9) Cl.** ..... **24-99**

(52) **U.S. Cl.** ..... **D24/174**

(58) **Field of Classification Search** ..... D24/173-175,  
D24/106; D14/205, 223, 224, 249; 381/23.1,  
381/312, 322-324, 328-330, 334  
See application file for complete search history.

(56) **References Cited**

**U.S. PATENT DOCUMENTS**

- D251,234 S 3/1979 Håkansson et al.
- D251,852 S 5/1979 Guice
- D273,706 S 5/1984 McCall
- D294,862 S 3/1988 Diefenbach
- D322,126 S 12/1991 van Mourik
- D322,319 S 12/1991 van Mourik
- D354,568 S 1/1995 Araki et al.
- D385,036 S 10/1997 Nielsen
- D411,885 S 7/1999 Mavrakis et al.
- D457,635 S 5/2002 Dittli et al.
- D471,630 S 3/2003 Schelbach
- D506,258 S 6/2005 Nielsen
- D516,216 S 2/2006 Portmann
- D529,612 S 10/2006 Feeley et al.
- D530,819 S 10/2006 Jurkiewicz et al.
- D532,111 S 11/2006 Espersen
- D541,420 S 4/2007 Darbut et al.
- D546,455 S 7/2007 Darbut et al.
- D557,419 S 12/2007 Jurkiewicz
- D558,880 S 1/2008 Le
- D560,808 S 1/2008 Jurkiewicz

- D562,459 S 2/2008 Jurkiewicz
- D562,983 S 2/2008 Jurkiewicz
- D568,480 S 5/2008 Lockenwitz
- D572,823 S \* 7/2008 Niccolai et al. .... D24/174
- D575,872 S 8/2008 Pedersen
- D579,567 S 10/2008 Pedersen
- D587,378 S 2/2009 Powers et al.
- D595,856 S 7/2009 Tronza
- 7,590,255 B2 \* 9/2009 Nielsen ..... 381/330
- D605,769 S \* 12/2009 Sjursen et al. .... D24/174

(Continued)

**FOREIGN PATENT DOCUMENTS**

JP D814315 7/1991

(Continued)

*Primary Examiner*—T. Chase Nelson  
*Assistant Examiner*—Anhdao Doan  
(74) *Attorney, Agent, or Firm*—Brinks Hofer Gilson & Lione

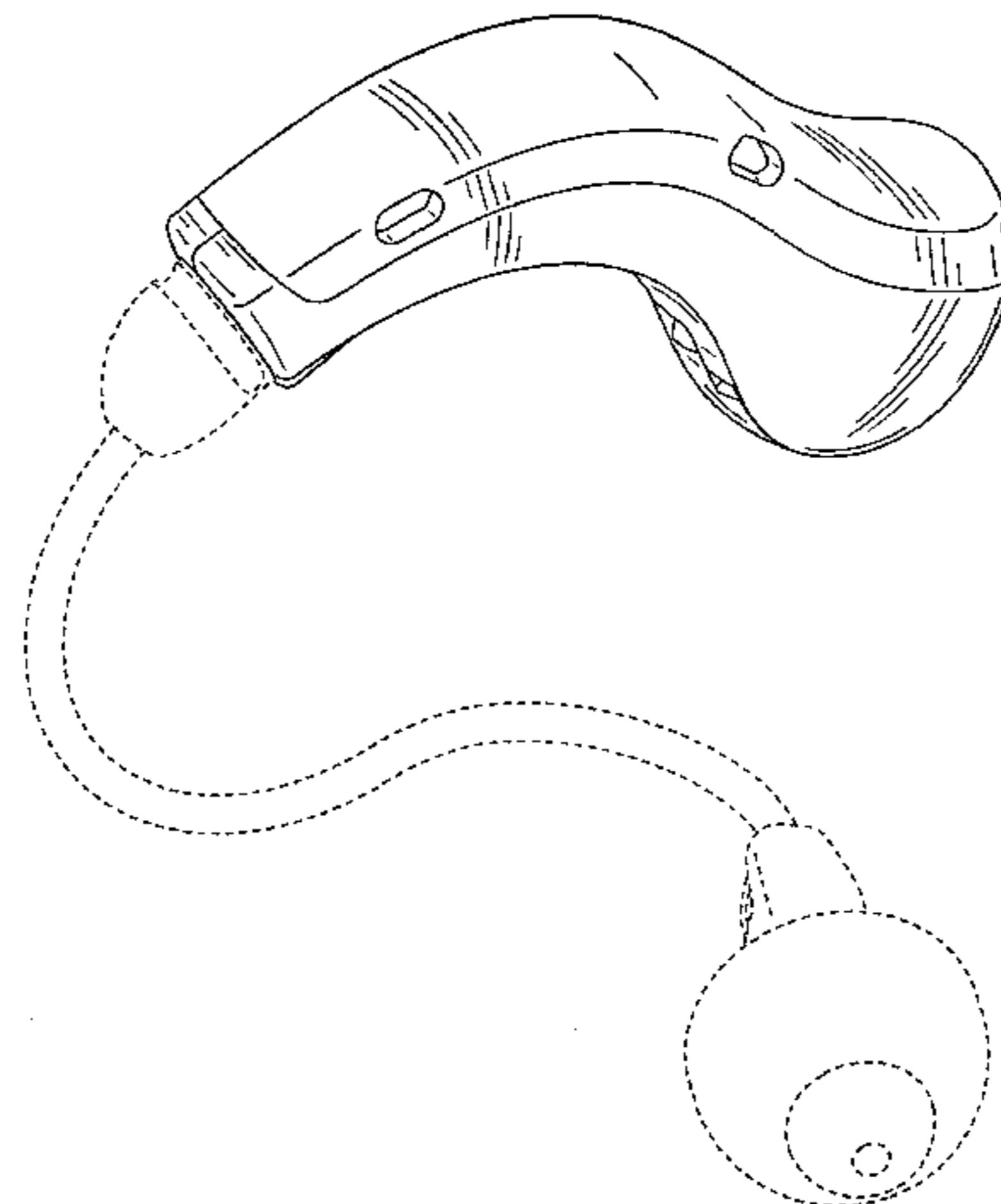
(57) **CLAIM**

I claim the ornamental design for a hearing aid, as shown and described.

**DESCRIPTION**

FIG. 1 is a top perspective view of a hearing aid of the present invention;  
FIG. 2 is a front view thereof;  
FIG. 3 is a rear view thereof;  
FIG. 4 is a first side view thereof;  
FIG. 5 is a second side view thereof;  
FIG. 6 is a top view thereof;  
FIG. 7 is a bottom view thereof; and,  
FIG. 8 is a front view thereof shown in an environmental use.  
The broken line showing of hearing aid is included for the purpose of illustrating environment and forms no part of the claimed design.

**1 Claim, 8 Drawing Sheets**



# US D633,210 S

Page 2

---

## U.S. PATENT DOCUMENTS

2008/0152177 A1\* 6/2008 Watanuki et al. .... 381/330

## FOREIGN PATENT DOCUMENTS

JP	D847917	9/1992
JP	D872059	7/1993
JP	D951266	4/1996
JP	D1009144	5/1998
JP	D1009144/1	4/2000
JP	D1090215	11/2000
JP	D1160851	12/2002
JP	D1191477	12/2003

JP	D1191480	12/2003
JP	D1194501	1/2004
JP	D1309272	9/2007
JP	D1323108	3/2008
JP	D1323110	3/2008
JP	D1333147	6/2008
JP	D1333148	6/2008
JP	D1265177	2/2009
JP	D1370640	10/2009
JP	D1370641	10/2009
JP	D1370990	10/2009

\* cited by examiner

FIG.1

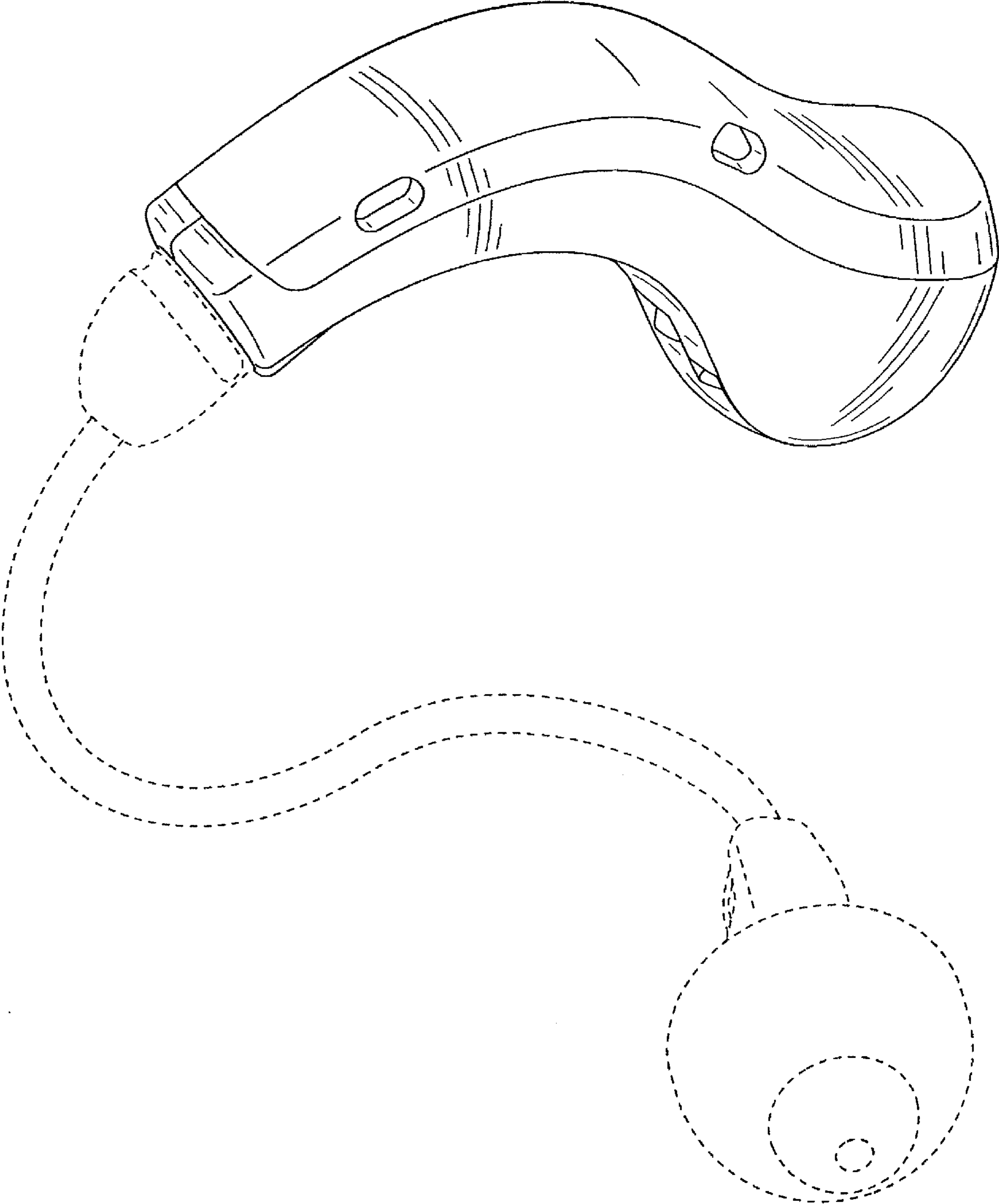


FIG.2

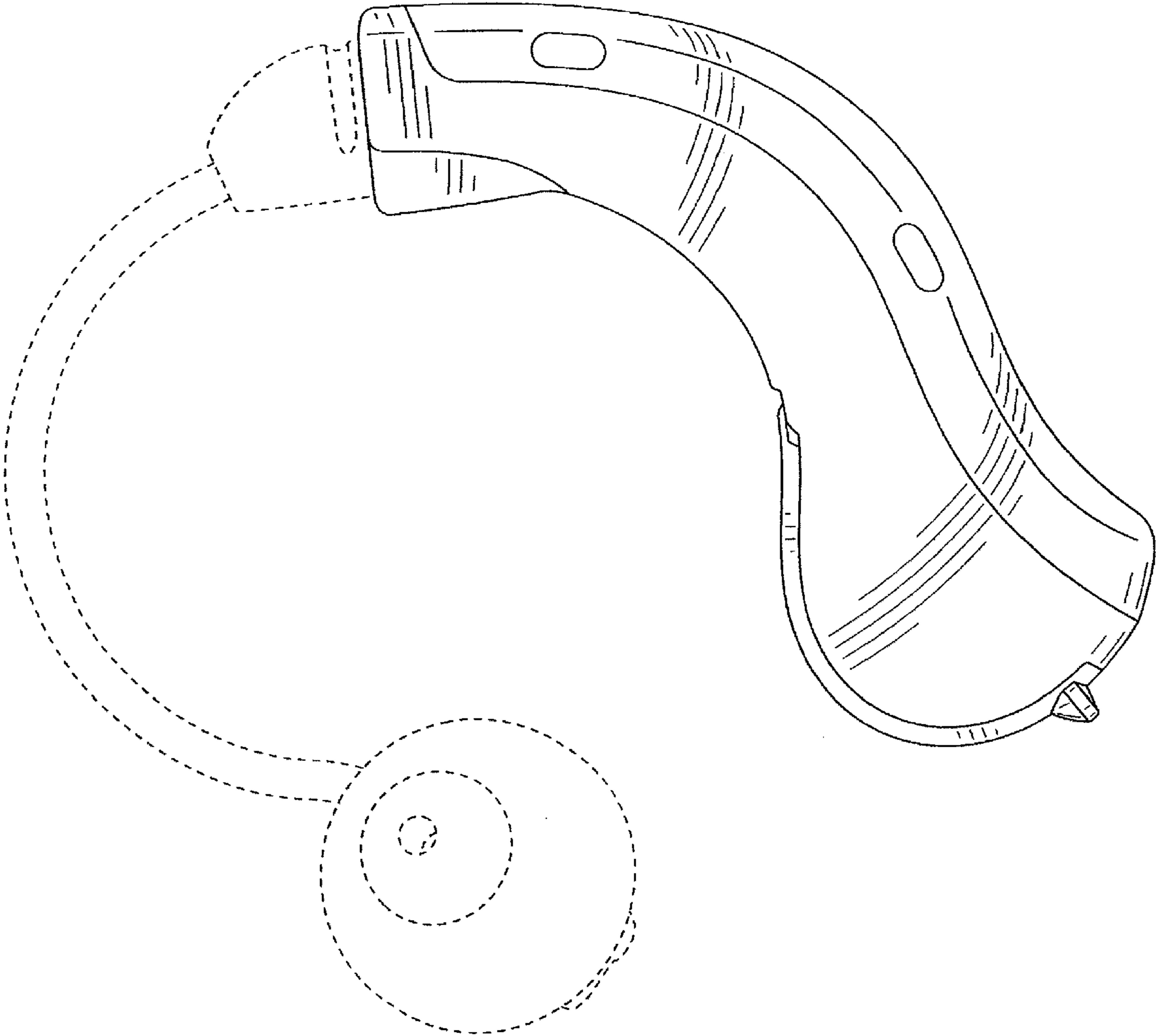


FIG.3

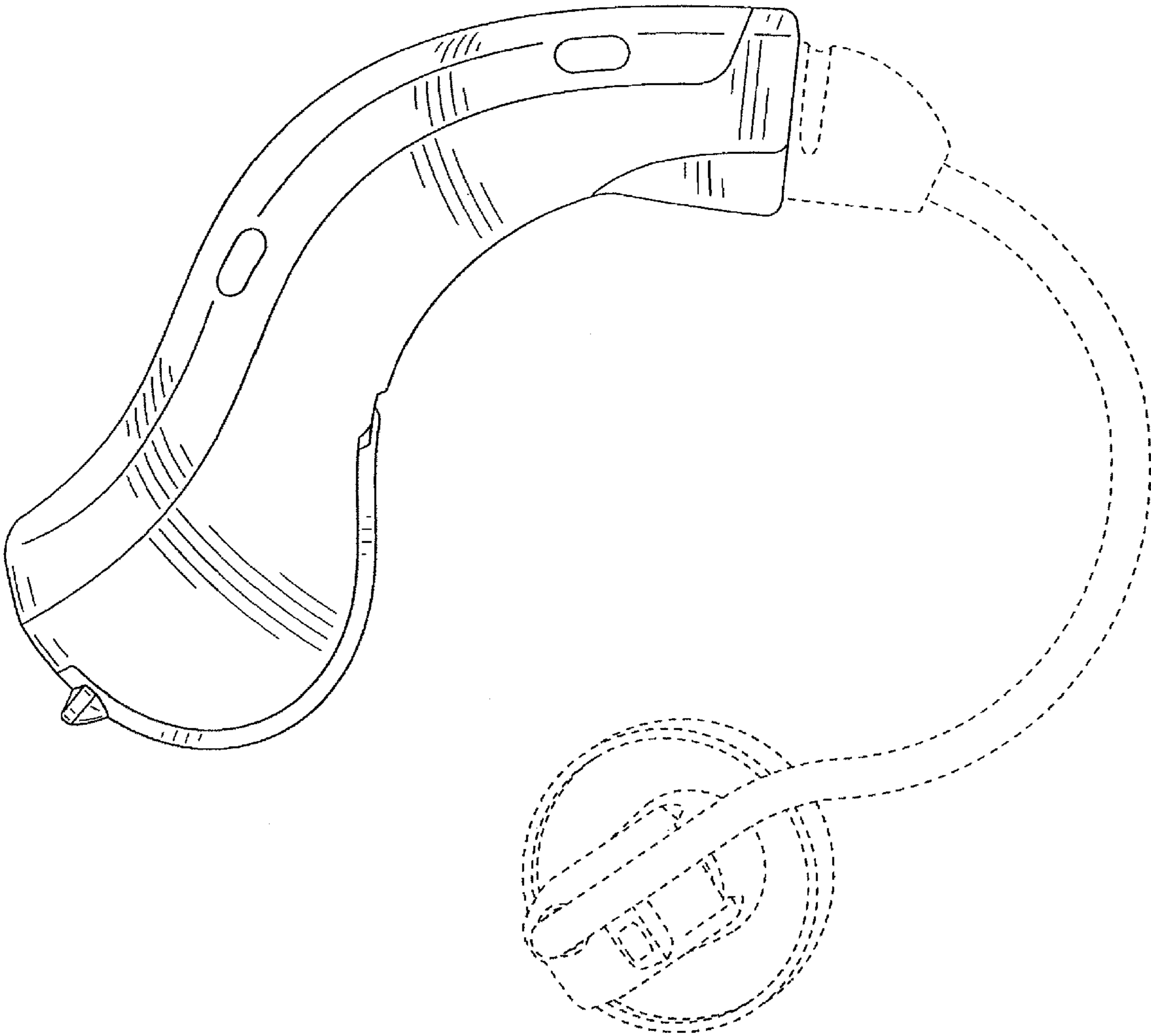


FIG.4

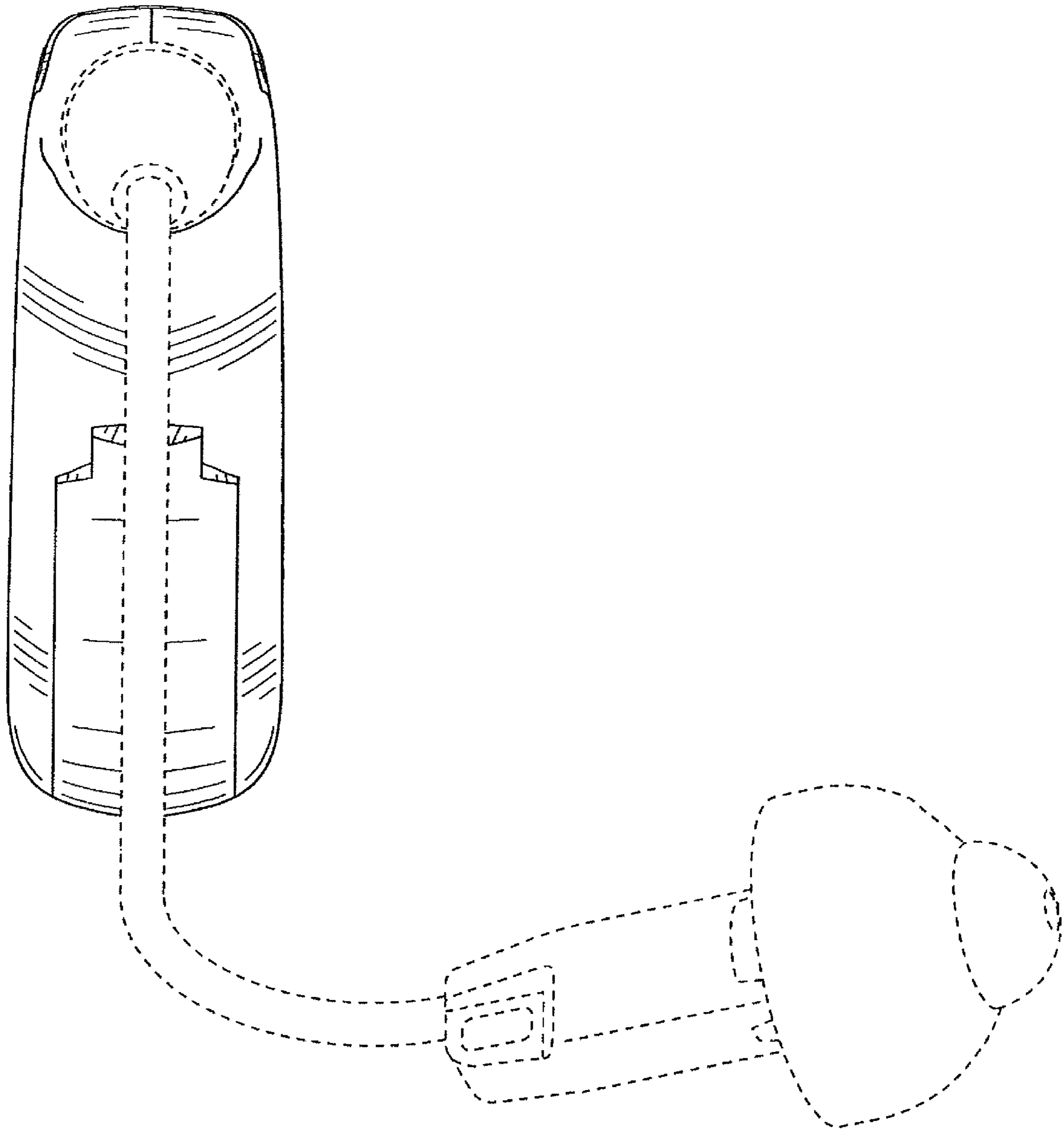


FIG.5

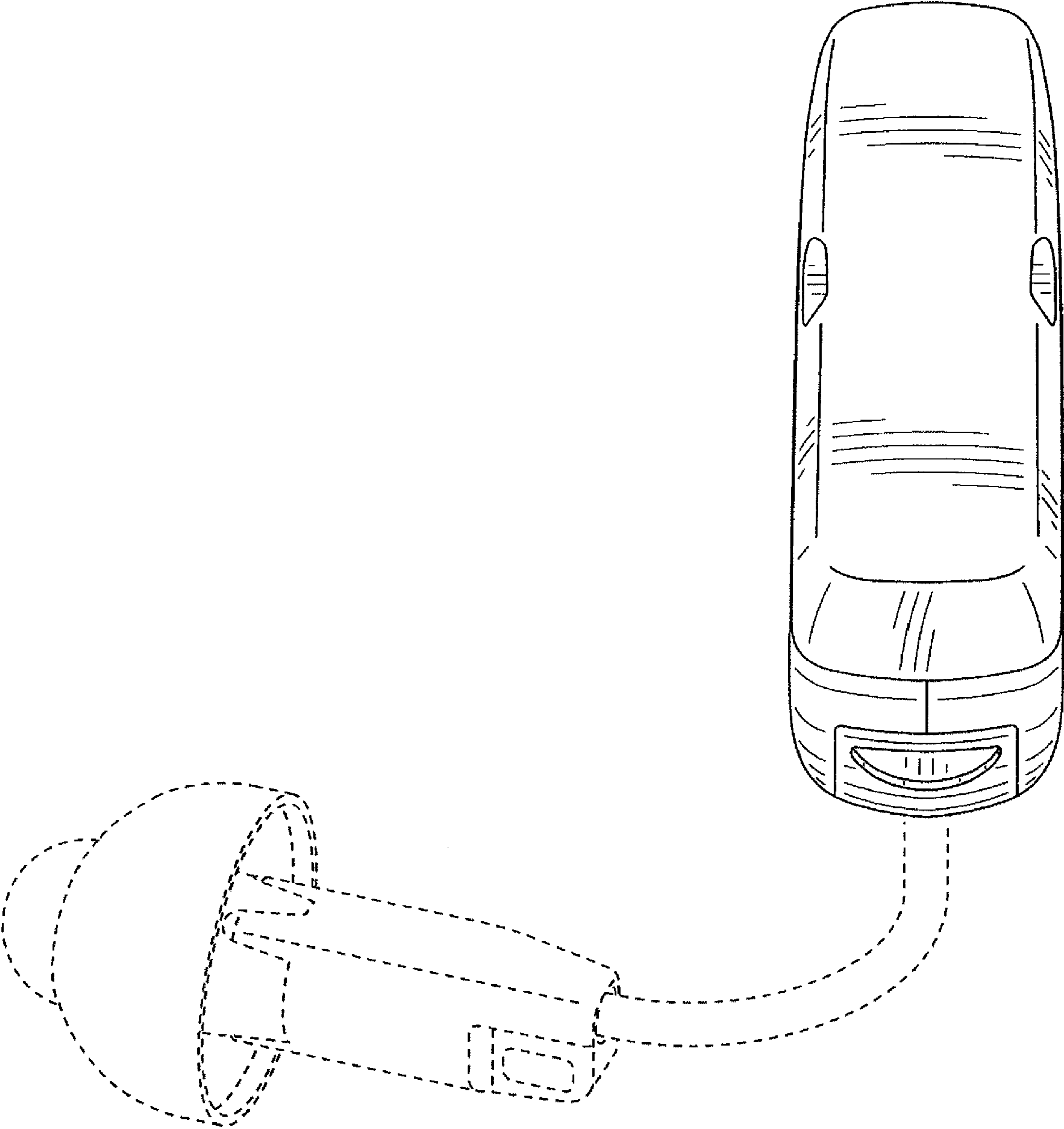


FIG.6

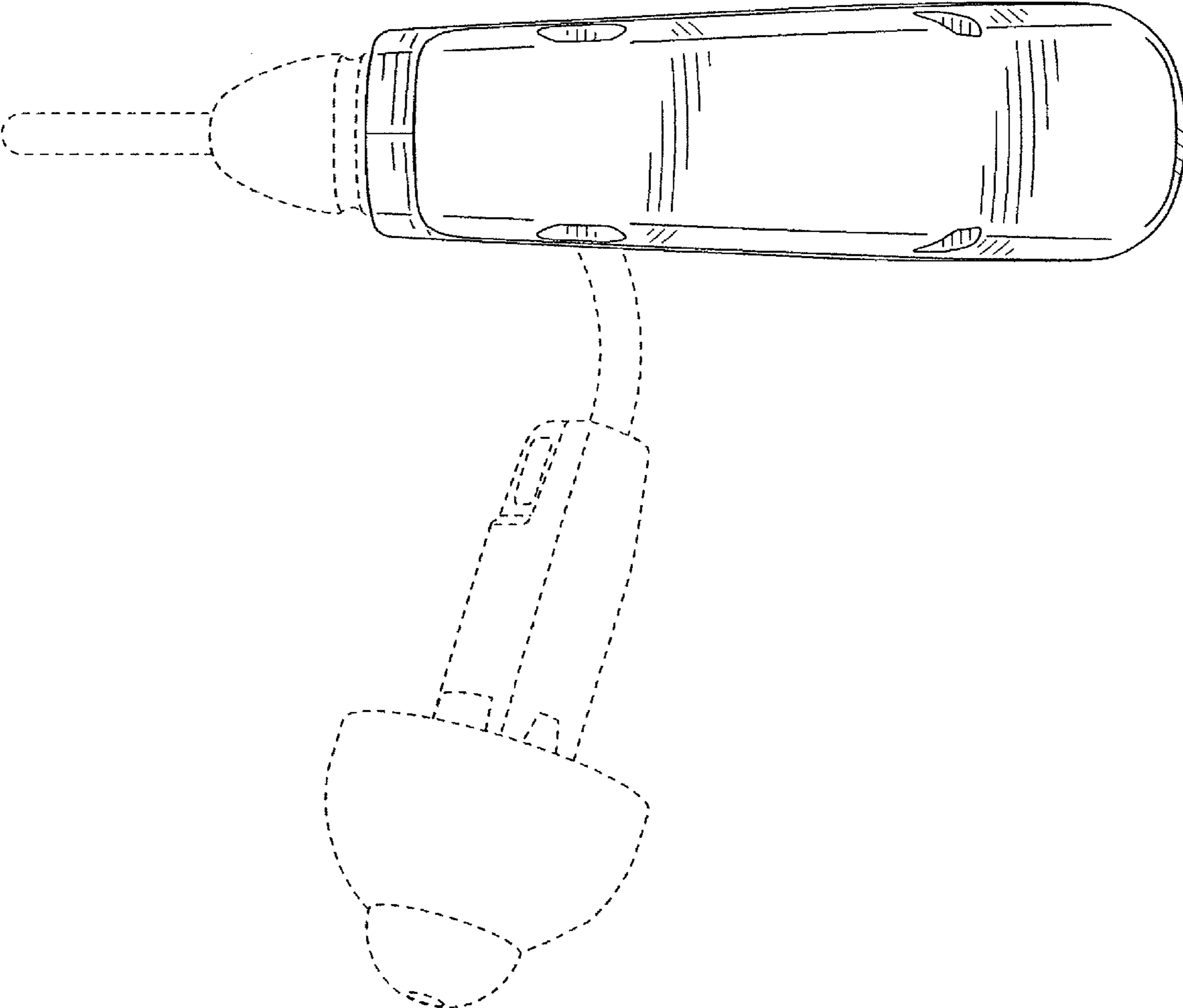




FIG.7

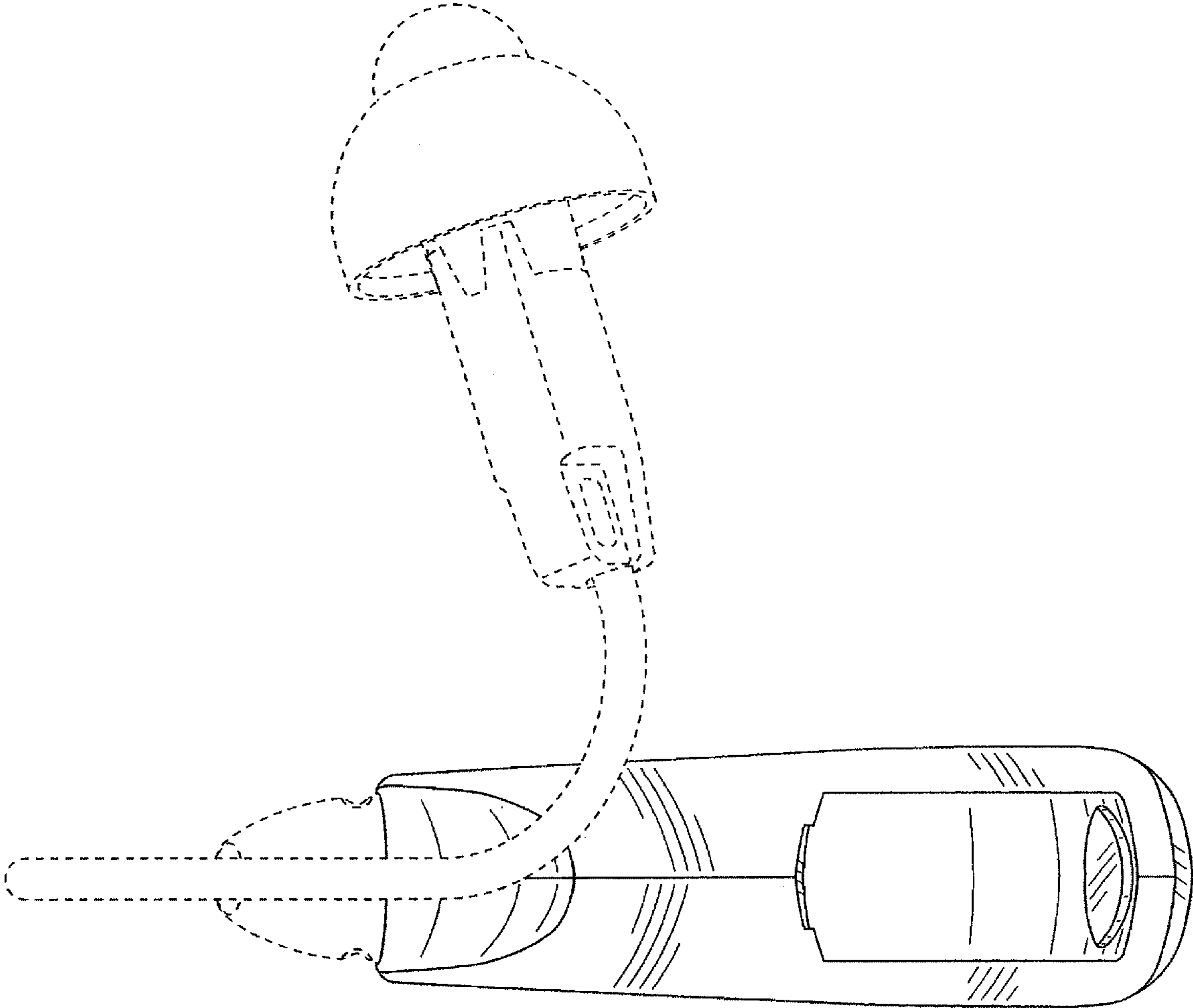


FIG.8

