



US00D633209S

(12) **United States Design Patent**
Boessneck et al.

(10) **Patent No.:** **US D633,209 S**

(45) **Date of Patent:** **** Feb. 22, 2011**

(54) **CARTRIDGE FOR COUNTING PARTICLES
IN BLOOD**

(75) Inventors: **Horst Boessneck**, Jena (DE); **Eugen Ermantraut**, Jena (DE); **Thomas Kaiser**, Hohlstedt (DE); **Torsten Schulz**, Jena (DE)

(73) Assignee: **Clondiag GmbH**, Jena (DE)

(**) Term: **14 Years**

(21) Appl. No.: **29/337,649**

(22) Filed: **May 27, 2009**

(30) **Foreign Application Priority Data**

Nov. 27, 2008 (DE) 40 2008 005 770

(51) **LOC (9) Cl.** **24-02**

(52) **U.S. Cl.** **D24/169**

(58) **Field of Classification Search** D24/216,
D24/222-226, 231, 232, 169; D10/80, 81;
422/99, 100, 102, 56, 58, 61, 68.1, 69; 435/288.1,
435/288.3, 289.1, 286.5

See application file for complete search history.

(56) **References Cited**

U.S. PATENT DOCUMENTS

D337,164 S *	7/1993	Lauks et al.	D24/223
D351,913 S *	10/1994	Hieb et al.	D24/223
D383,852 S *	9/1997	Shartle et al.	D24/224
D470,597 S *	2/2003	Peterson et al.	D24/223
7,011,794 B2 *	3/2006	Kagan et al.	422/102
D531,321 S *	10/2006	Godfrey et al.	D24/225
D559,995 S *	1/2008	Handique et al.	D24/232
7,329,538 B2 *	2/2008	Wainwright et al.	435/288.7

* cited by examiner

Primary Examiner—T. Chase Nelson
Assistant Examiner—Ahndao Doan
(74) *Attorney, Agent, or Firm*—Steptoe & Johnson LLP

(57) **CLAIM**

The ornamental design for a cartridge for counting particles in blood, as shown and described.

DESCRIPTION

FIG. 1 is a bottom view of a first embodiment of a cartridge for counting particles in blood;

FIG. 2 is a top view thereof;

FIG. 3 is a bottom and left perspective view thereof;

FIG. 4 is a top, left and rear perspective view thereof;

FIG. 5 is a bottom view of a second embodiment of a cartridge for counting particles in blood;

FIG. 6 is top, left and rear perspective view thereof, shown with indicia;

FIG. 7 is another top, left and rear perspective thereof;

FIG. 8 is a bottom and left perspective view thereof;

FIG. 9 is a left side view thereof;

FIG. 10 is a front view thereof;

FIG. 11 is a top view thereof;

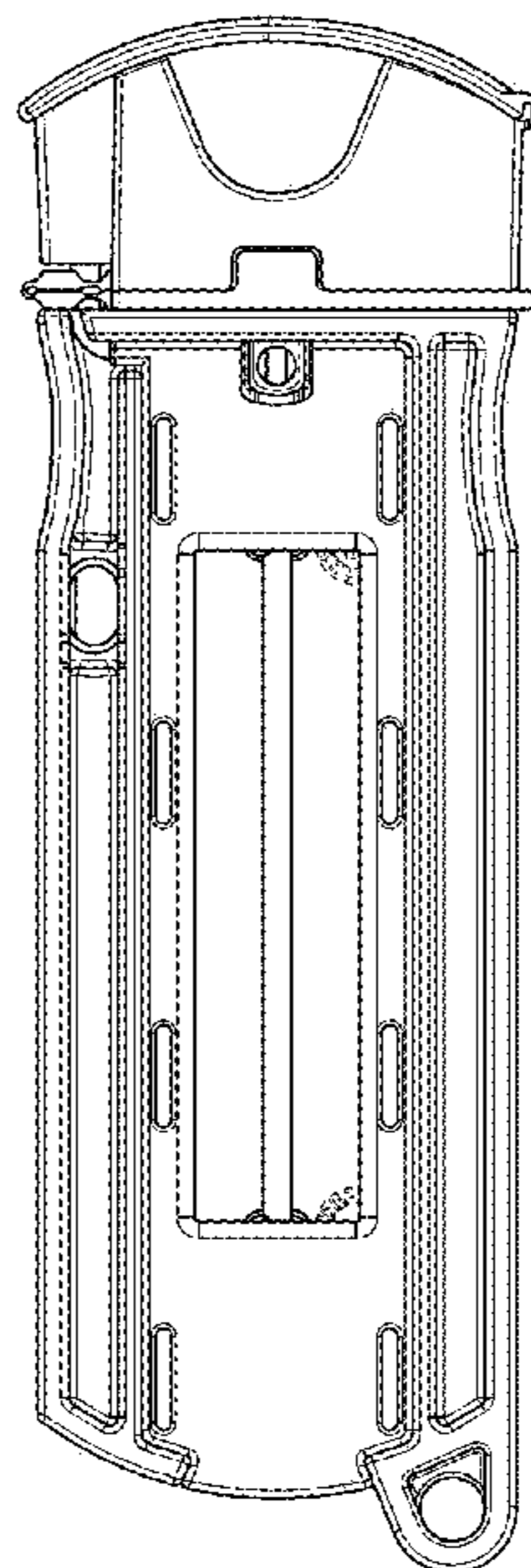
FIG. 12 is a rear view thereof; and,

FIG. 13 is another top view thereof, shown with indicia.

The graduations of stipple shading in the FIGS. 5-13 represent color contrasts.

The broken lines in the drawing views are included for the purpose of illustrating portions of the cartridge for counting particles in blood that form no part of the claimed design.

1 Claim, 13 Drawing Sheets



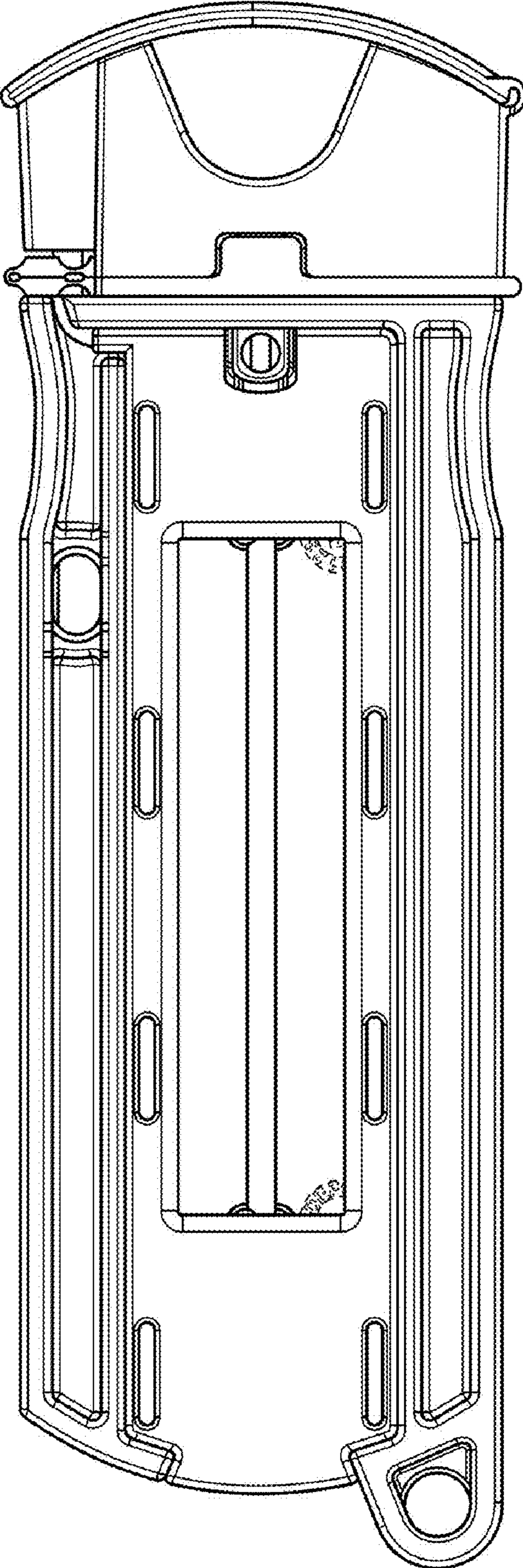


FIG. 1

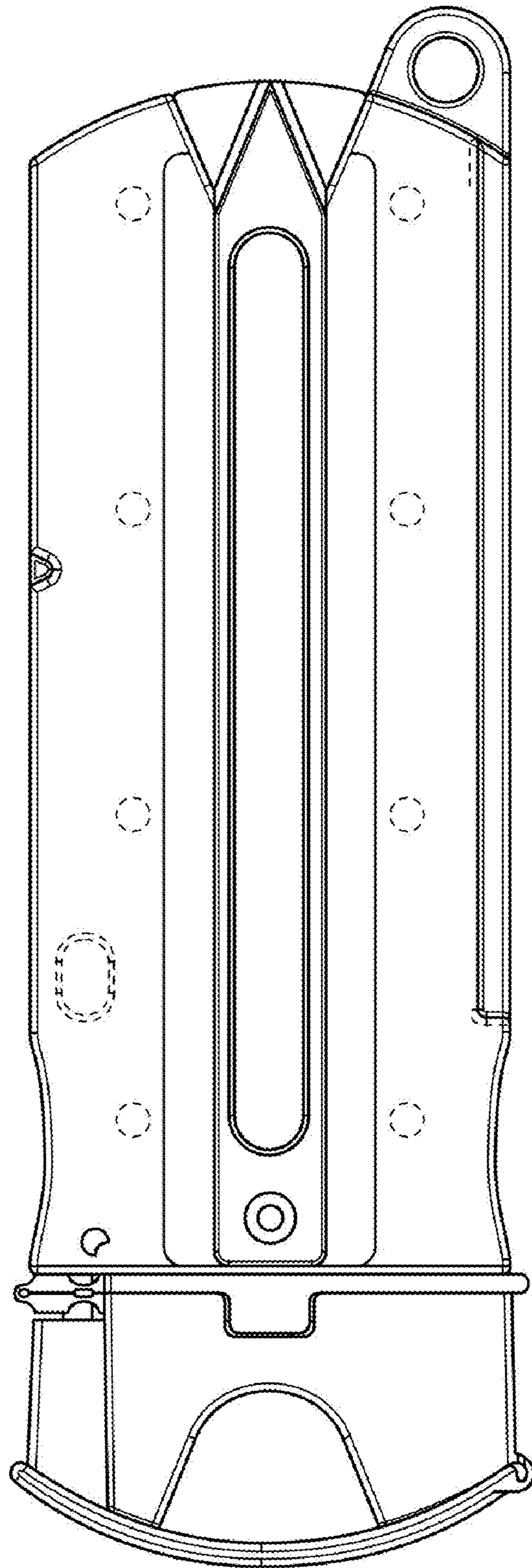


FIG. 2

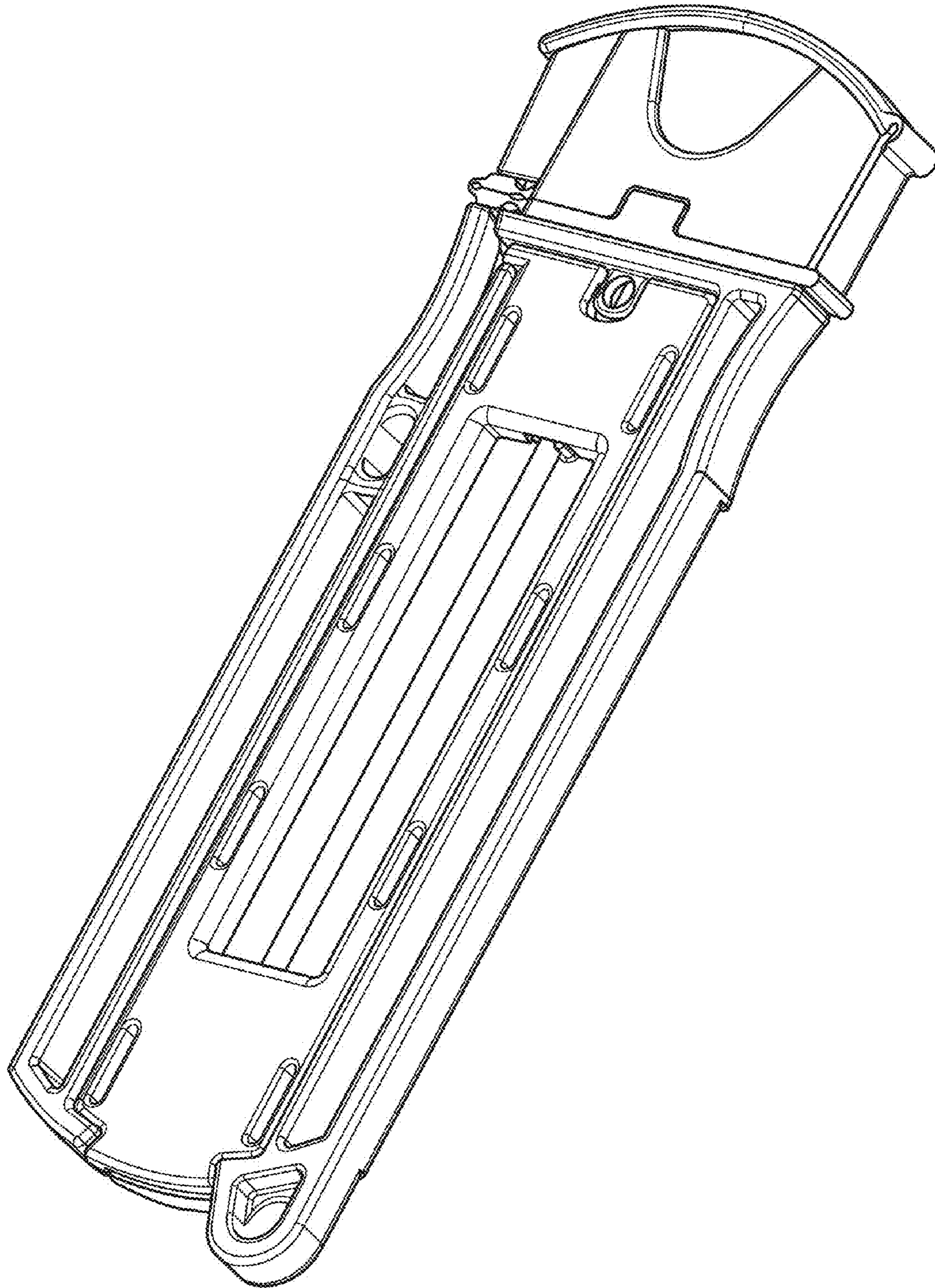


FIG. 3

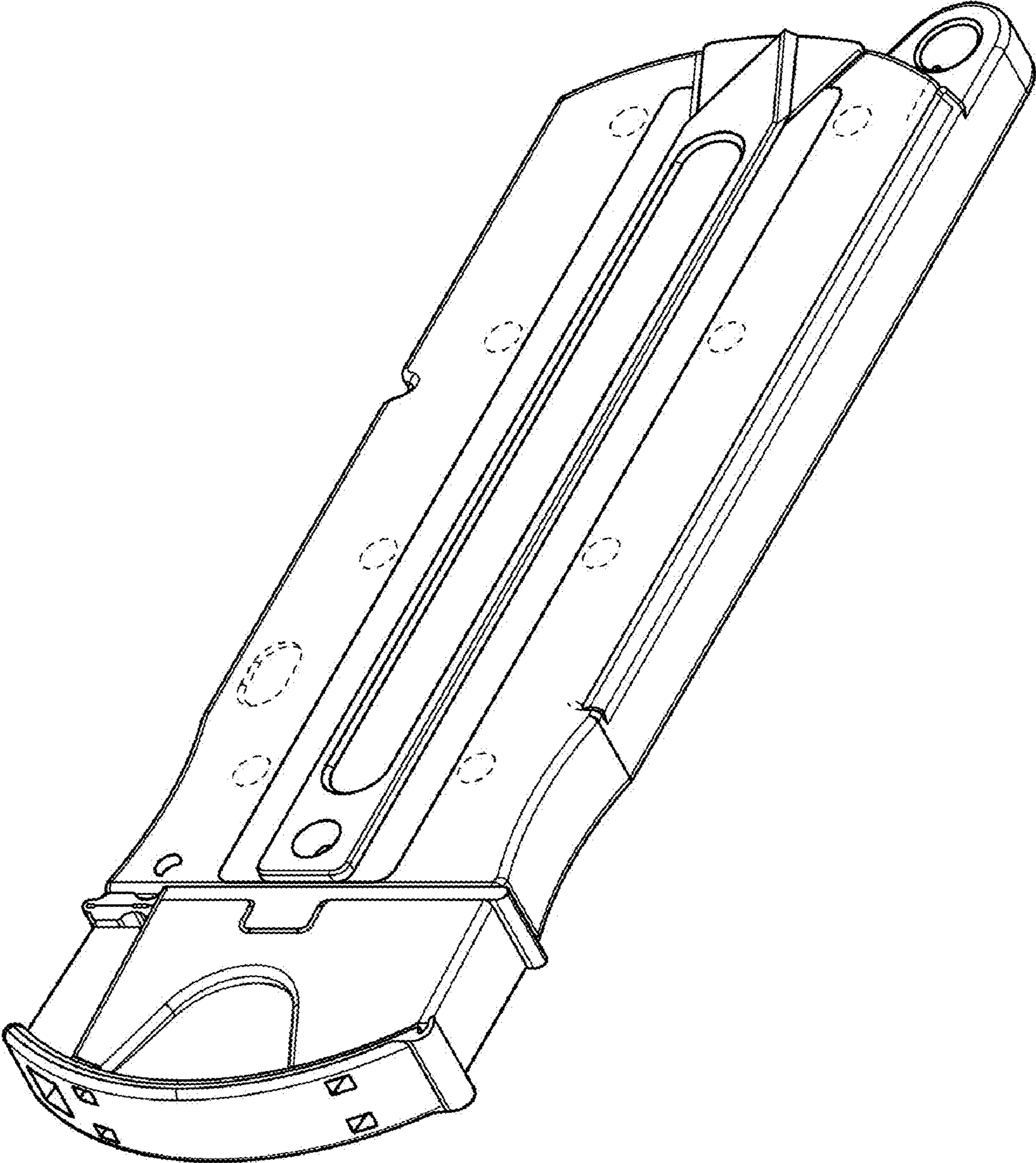


FIG. 4

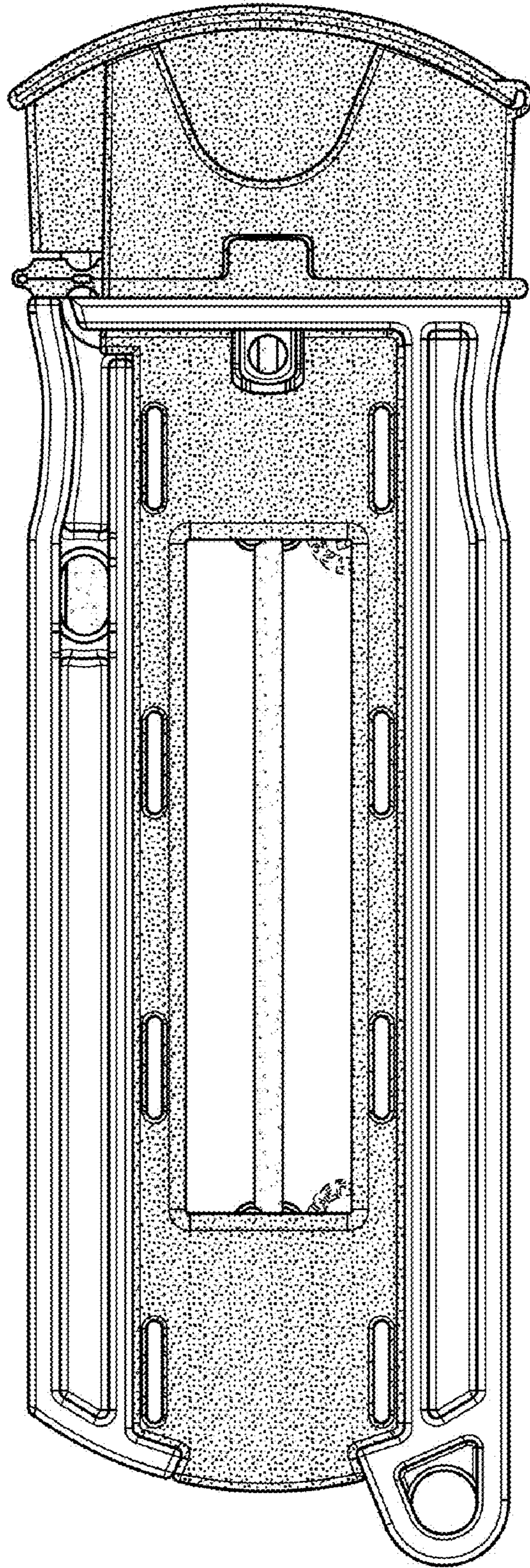


FIG. 5

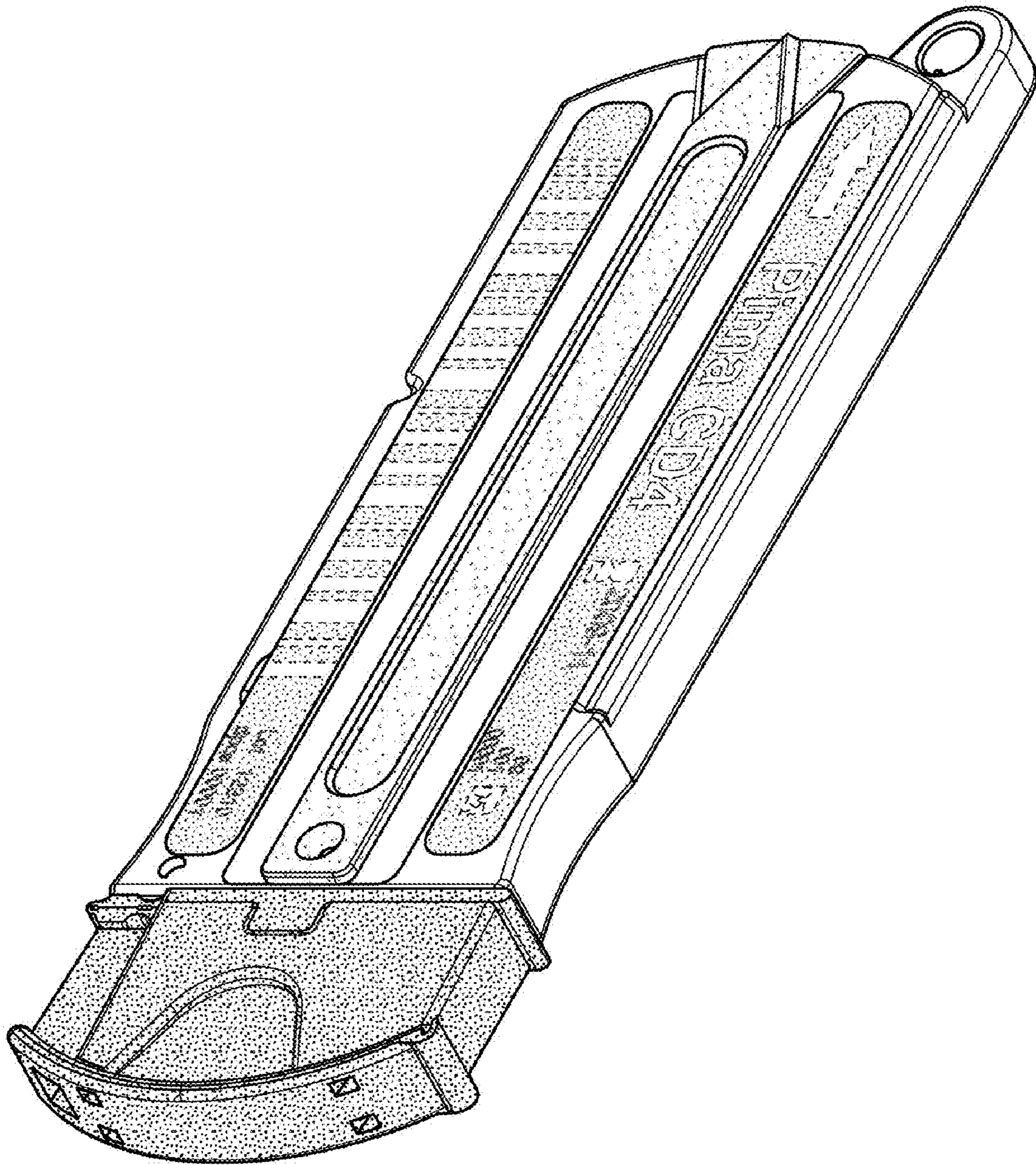


FIG. 6

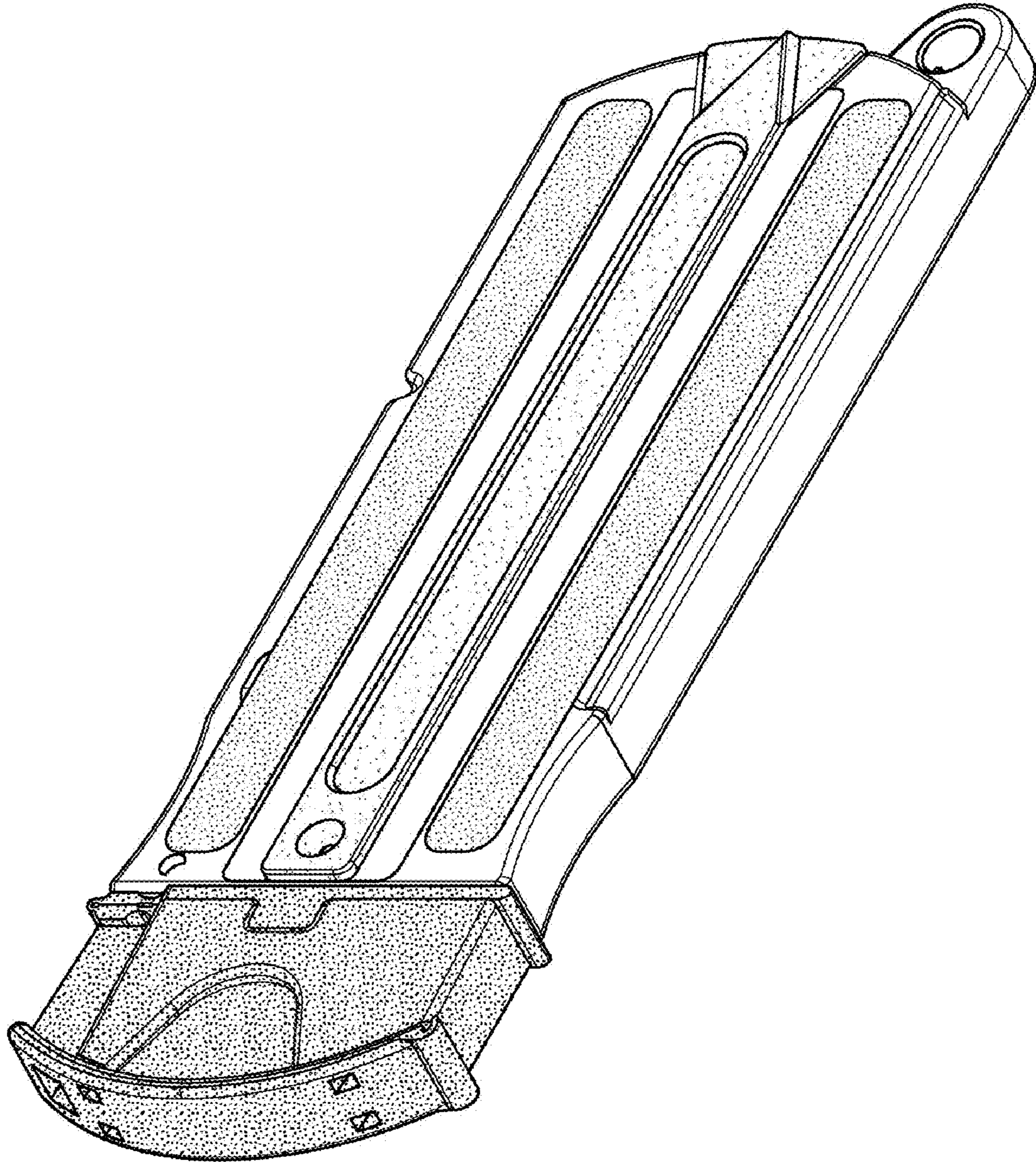


FIG. 7

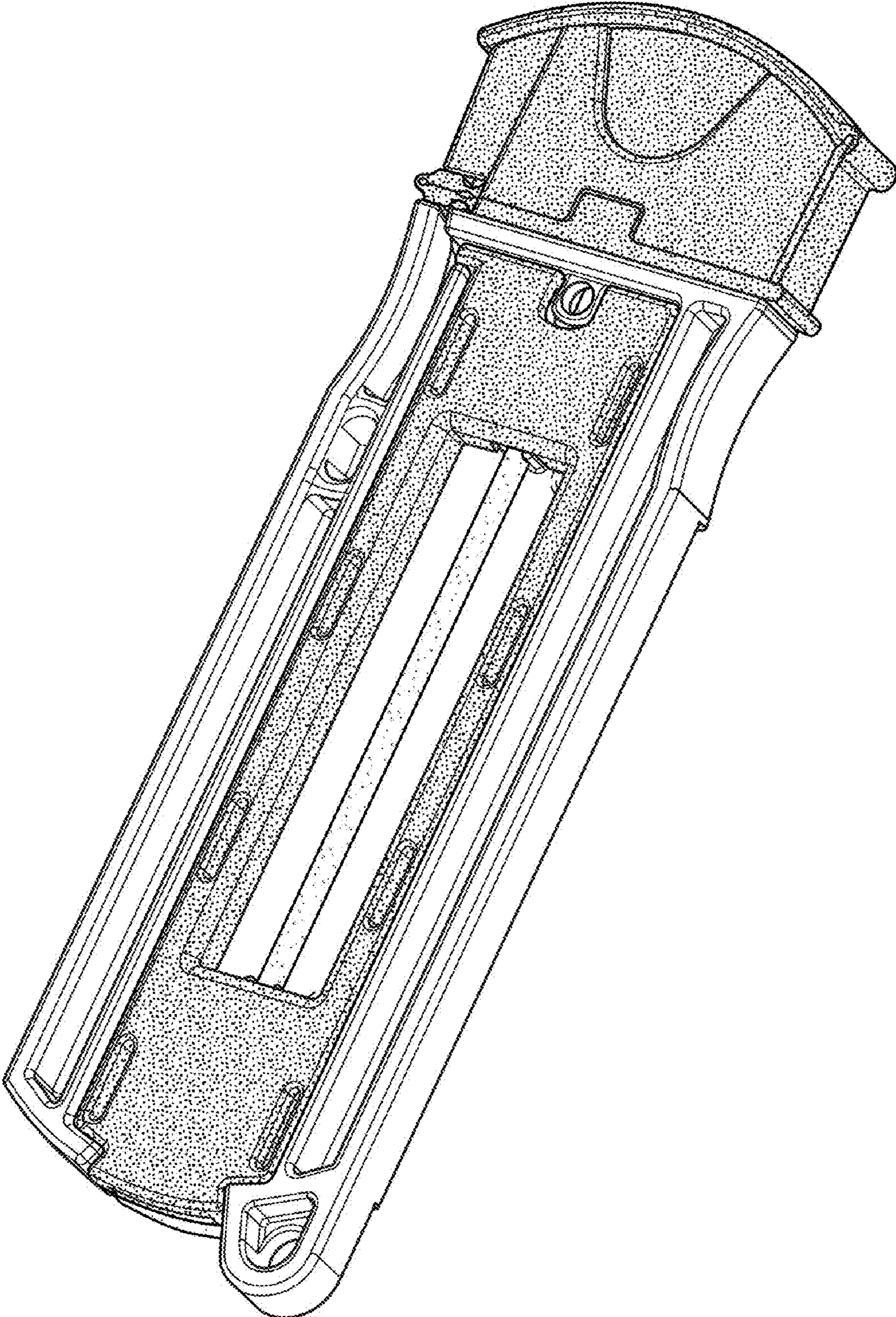


FIG. 8

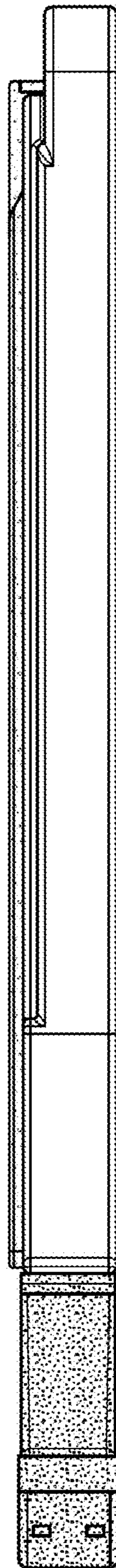


FIG. 9

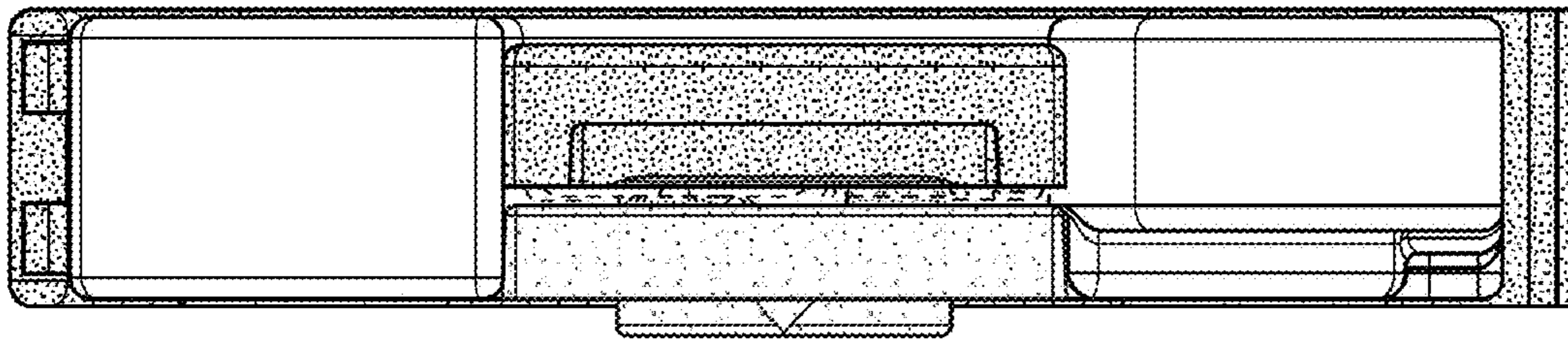


FIG. 10

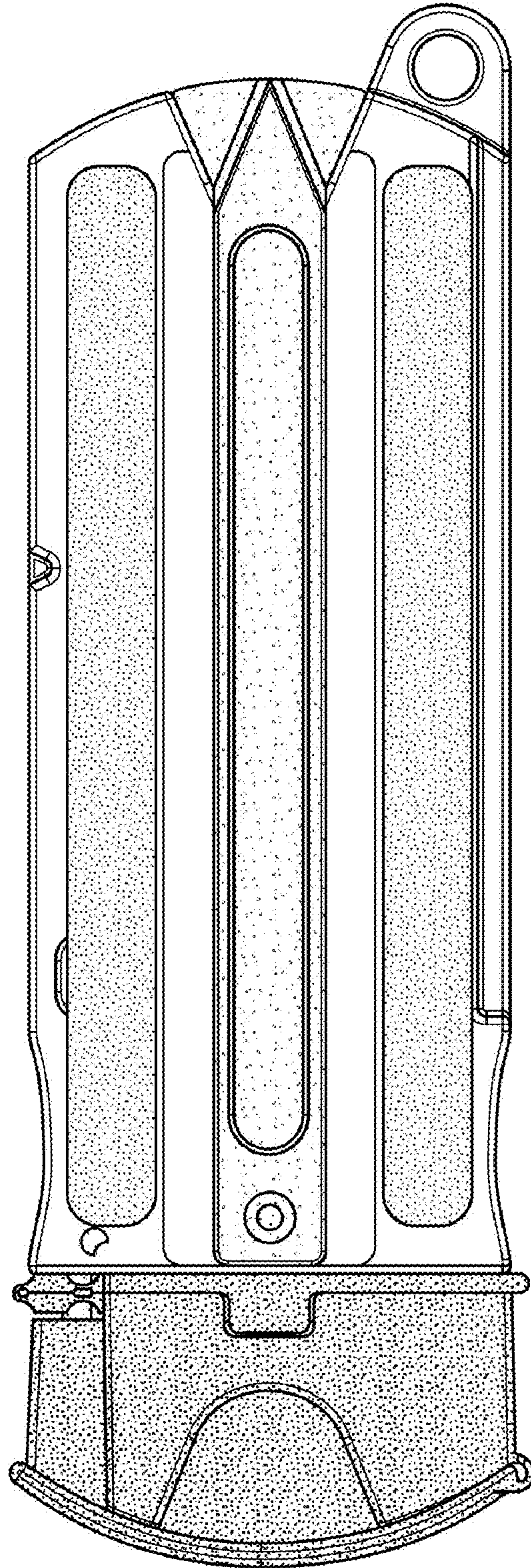


FIG. 11

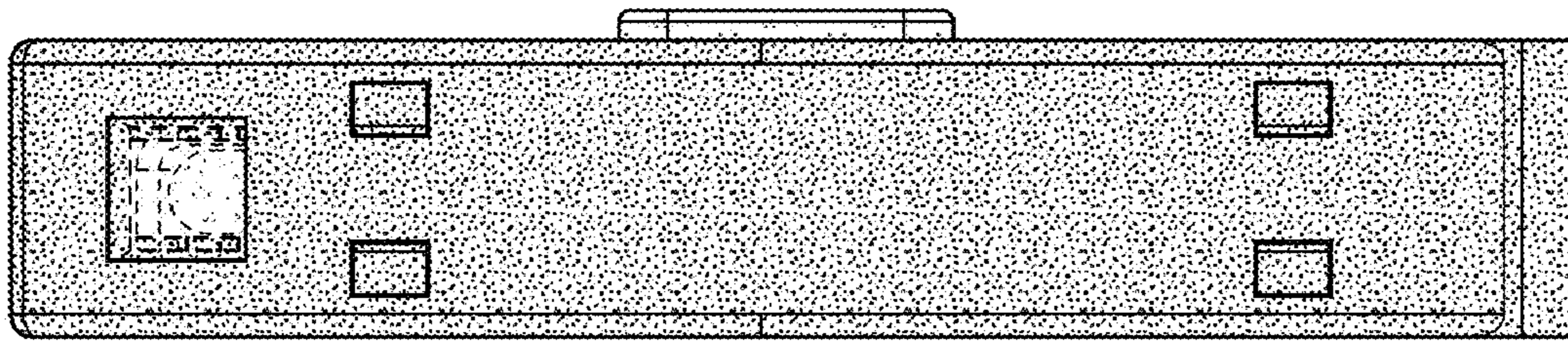


FIG. 12

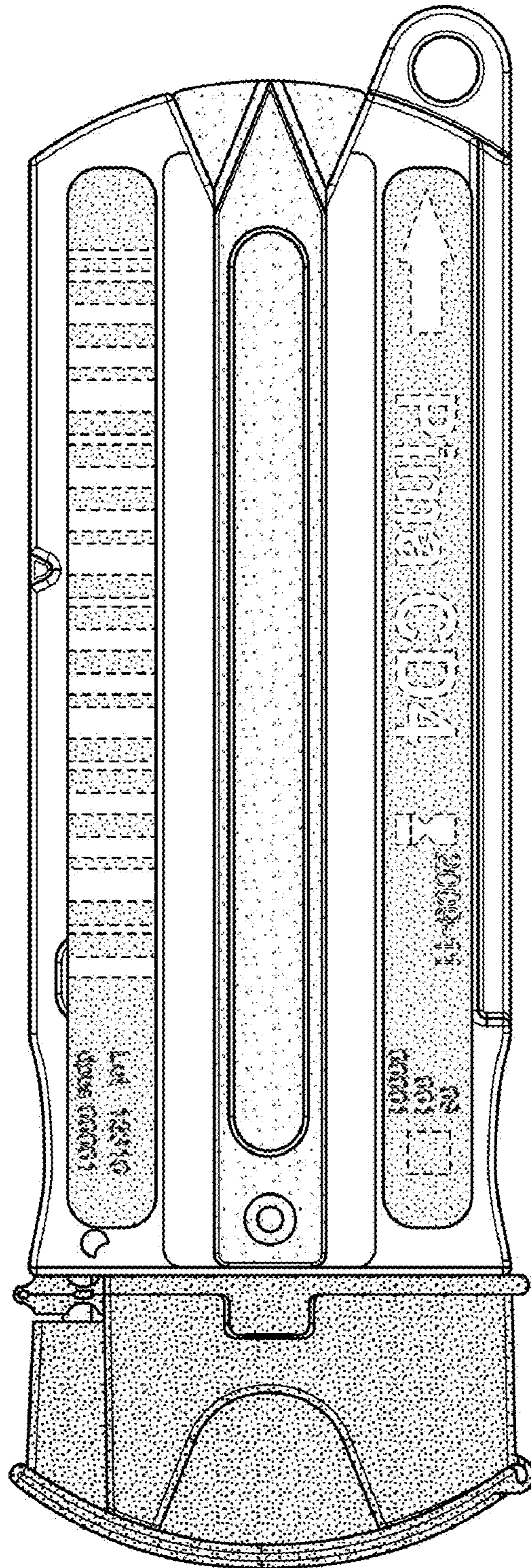


FIG. 13