



US00D633206S

(12) **United States Design Patent**  
**Mürner**

(10) **Patent No.:** **US D633,206 S**  
(45) **Date of Patent:** **\*\* Feb. 22, 2011**

(54) **CONNECTOR**

(75) Inventor: **Beat Mürner**, Reichenbach (CH)

(73) Assignee: **Stryker Trauma AG** (CH)

(\*\*) Term: **14 Years**

(21) Appl. No.: **29/357,293**

(22) Filed: **Mar. 10, 2010**

(30) **Foreign Application Priority Data**

Sep. 11, 2009 (EM) ..... 001167266

(51) **LOC (9) Cl.** ..... **24-03**

(52) **U.S. Cl.** ..... **D24/155; D24/129**

(58) **Field of Classification Search** ..... D24/155-157,  
D24/129; 606/53, 54, 59, 237, 246, 247,  
606/248; 600/227; 403/322.4, 373, 385  
See application file for complete search history.

(56) **References Cited**

**U.S. PATENT DOCUMENTS**

D301,496 S *	6/1989	Yonesawa et al. ....	D8/68
5,071,437 A *	12/1991	Steffee .....	623/17.16
D493,225 S *	7/2004	Varga et al. ....	D24/155
D494,274 S *	8/2004	Varga et al. ....	D24/155
D501,555 S *	2/2005	Varga et al. ....	D24/155
D556,899 S *	12/2007	Veliss et al. ....	D24/110.1
7,479,142 B2	1/2009	Weiner et al.	
7,588,571 B2 *	9/2009	Olsen .....	606/57
D607,102 S *	12/2009	Robinson .....	D24/146
2001/0049526 A1	12/2001	Venturini et al.	
2004/0044344 A1	3/2004	Winqvist et al.	

2005/0203520 A1 *	9/2005	Volzow .....	606/62
2006/0155276 A1	7/2006	Walulik et al.	
2007/0123856 A1	5/2007	Deffenbaugh et al.	
2009/0099565 A1	4/2009	Weiner et al.	

**FOREIGN PATENT DOCUMENTS**

CH 657899 A5 9/1986

\* cited by examiner

*Primary Examiner*—Bridget L Eland

(74) *Attorney, Agent, or Firm*—Lerner, David, Littenberg, Krumholz & Mentlik, LLP

(57) **CLAIM**

The ornamental design for a connector, as shown and described.

**DESCRIPTION**

FIG. 1 is a perspective view of a connector.

FIG. 2 is a front view of the connector shown in FIG. 1.

FIG. 3 is a rear view of the connector shown in FIG. 1.

FIG. 4 is a right side view of the connector shown in FIG. 1, the left side being a mirror image thereof.

FIG. 5 is a top view of the connector shown in FIG. 1; and,

FIG. 6 is a bottom view of the connector shown in FIG. 1.

The broken lines immediately adjacent the shaded areas of the connector shown in the drawings represent the bounds of the claimed design while all other broken lines represent environmental structure and are for illustrative purposes only; the broken lines form no part of the claimed design.

**1 Claim, 3 Drawing Sheets**

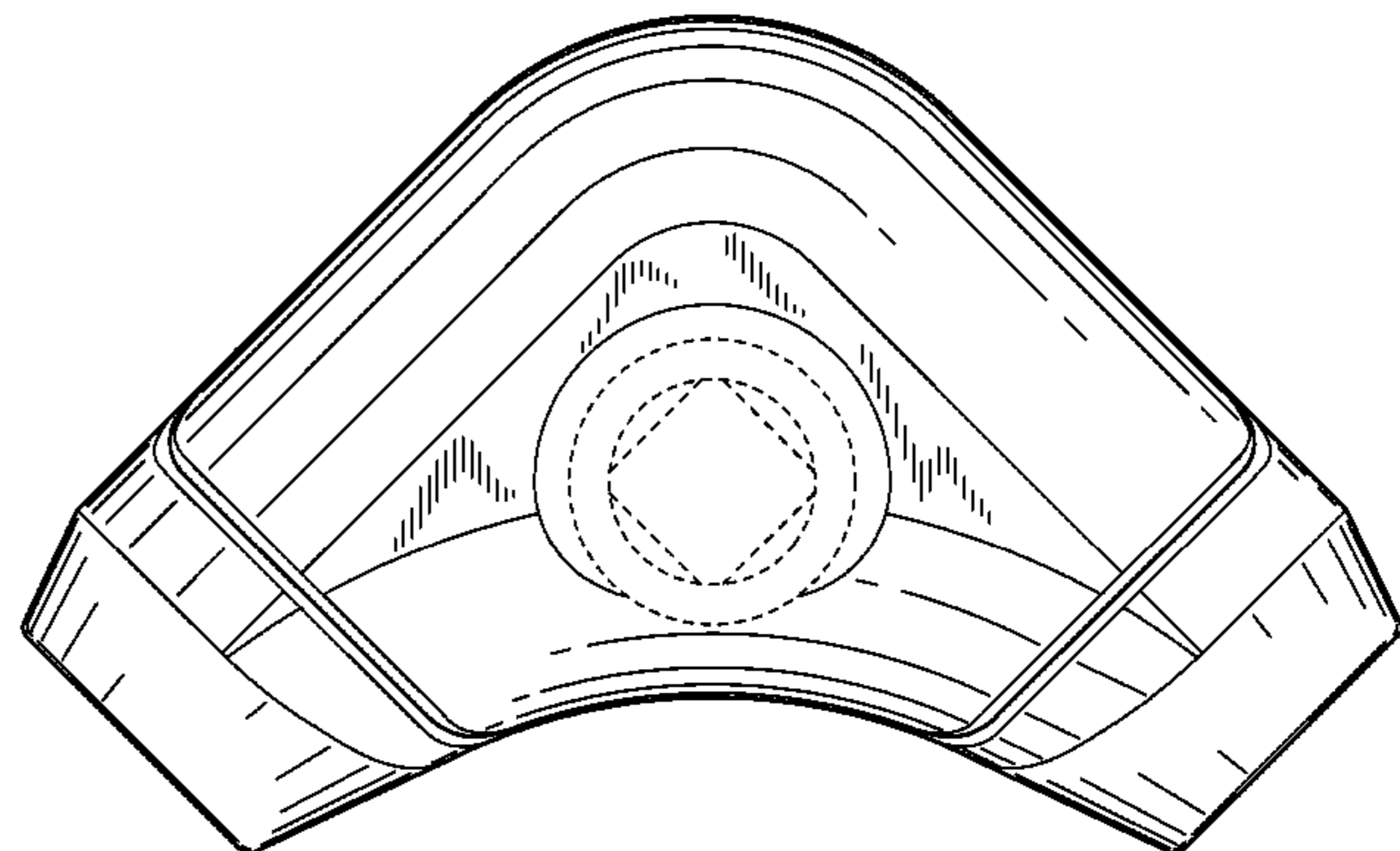
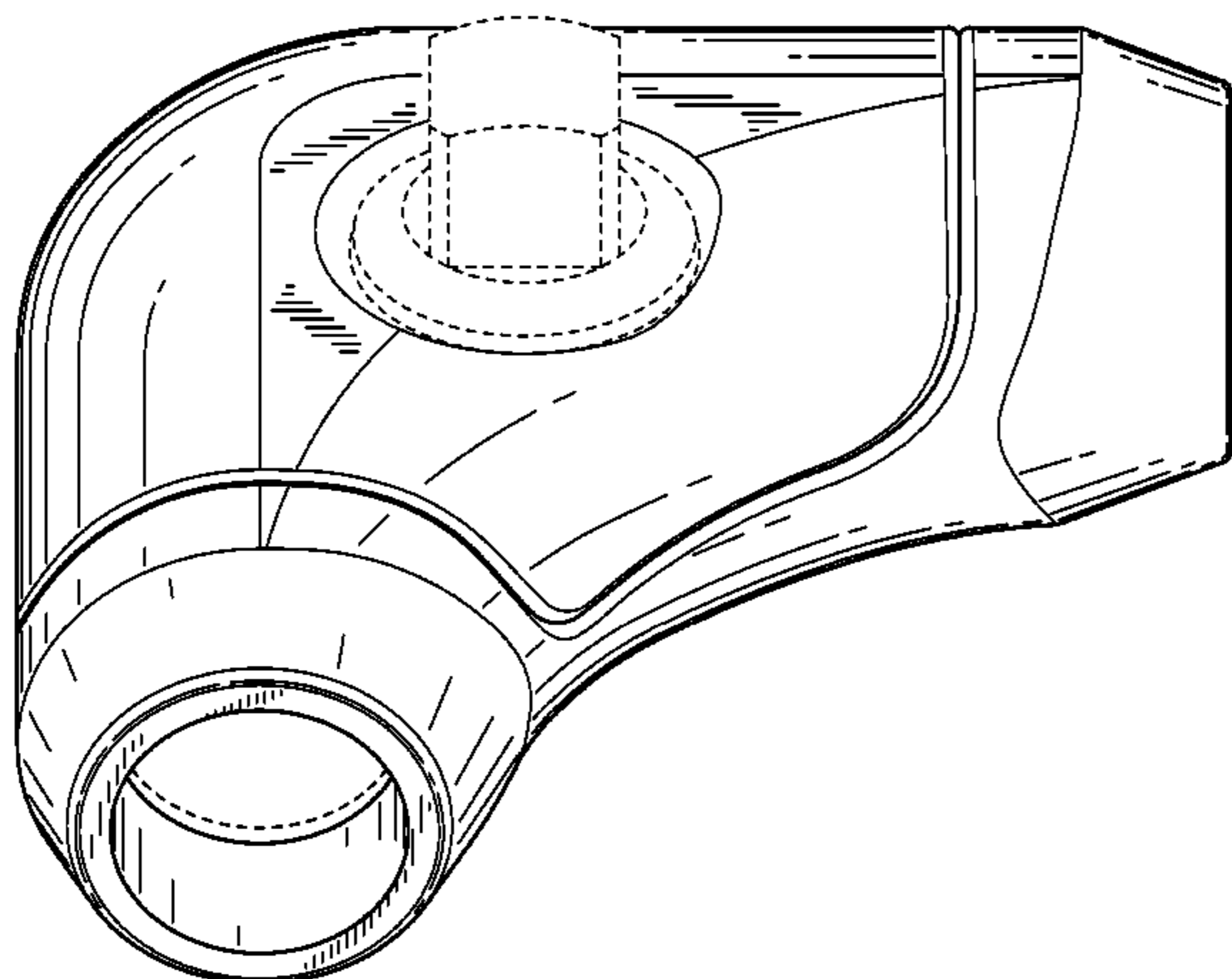


FIG. 1

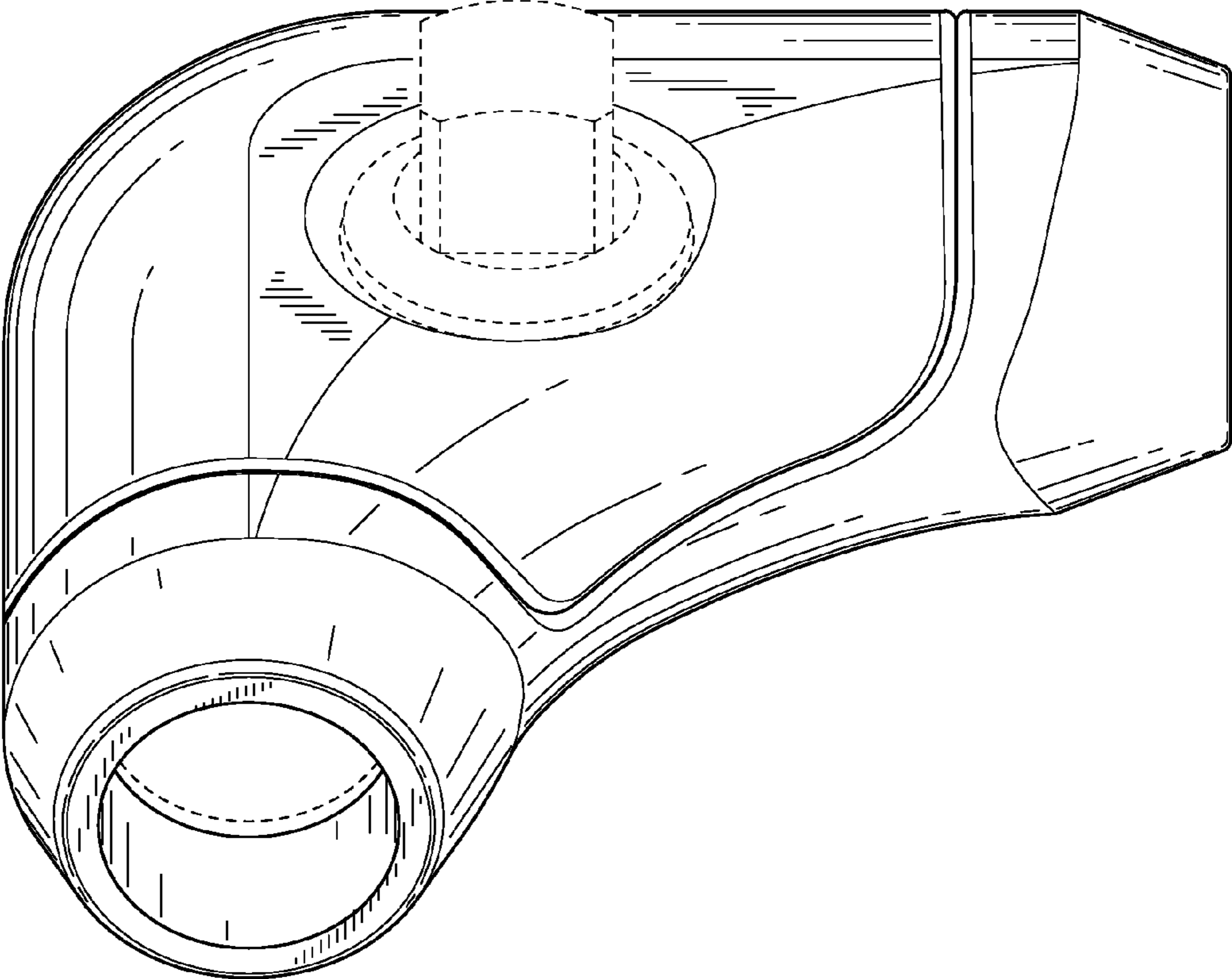
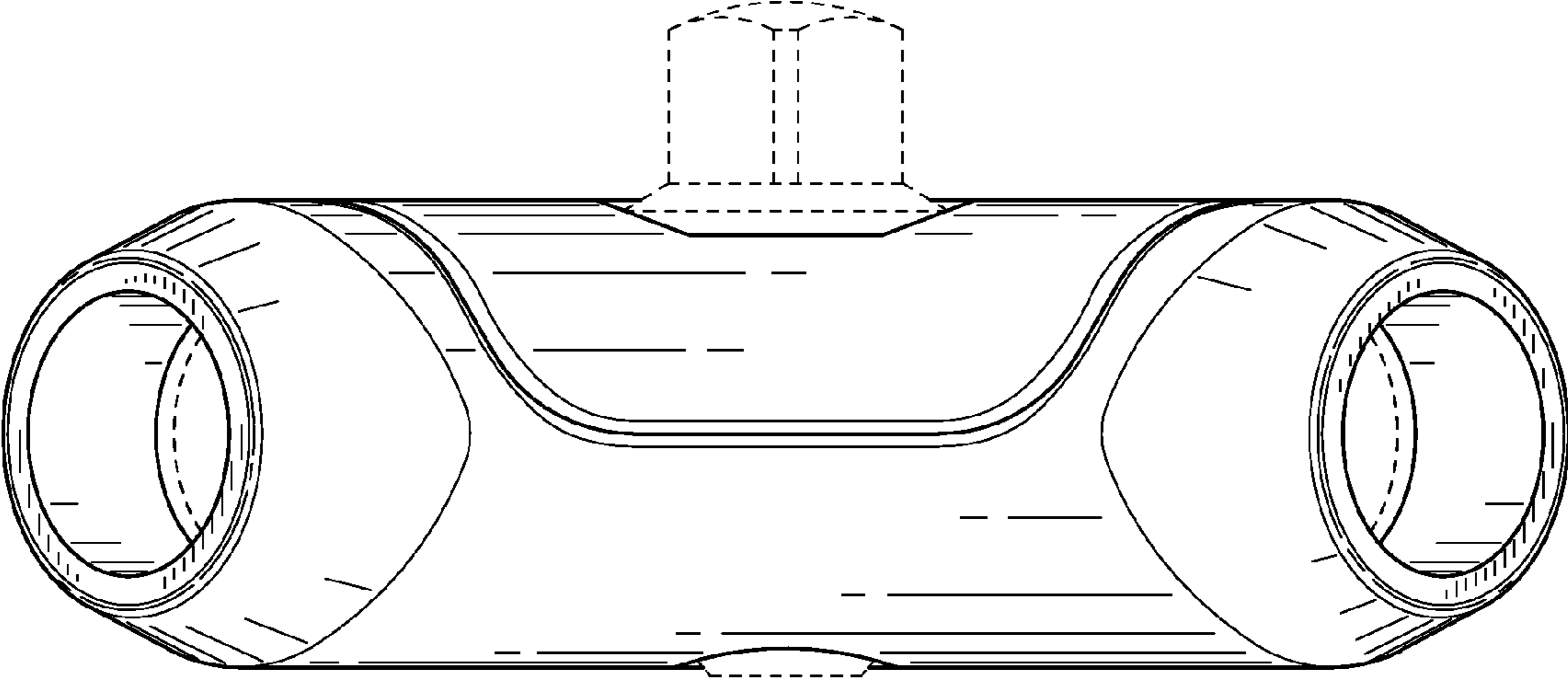
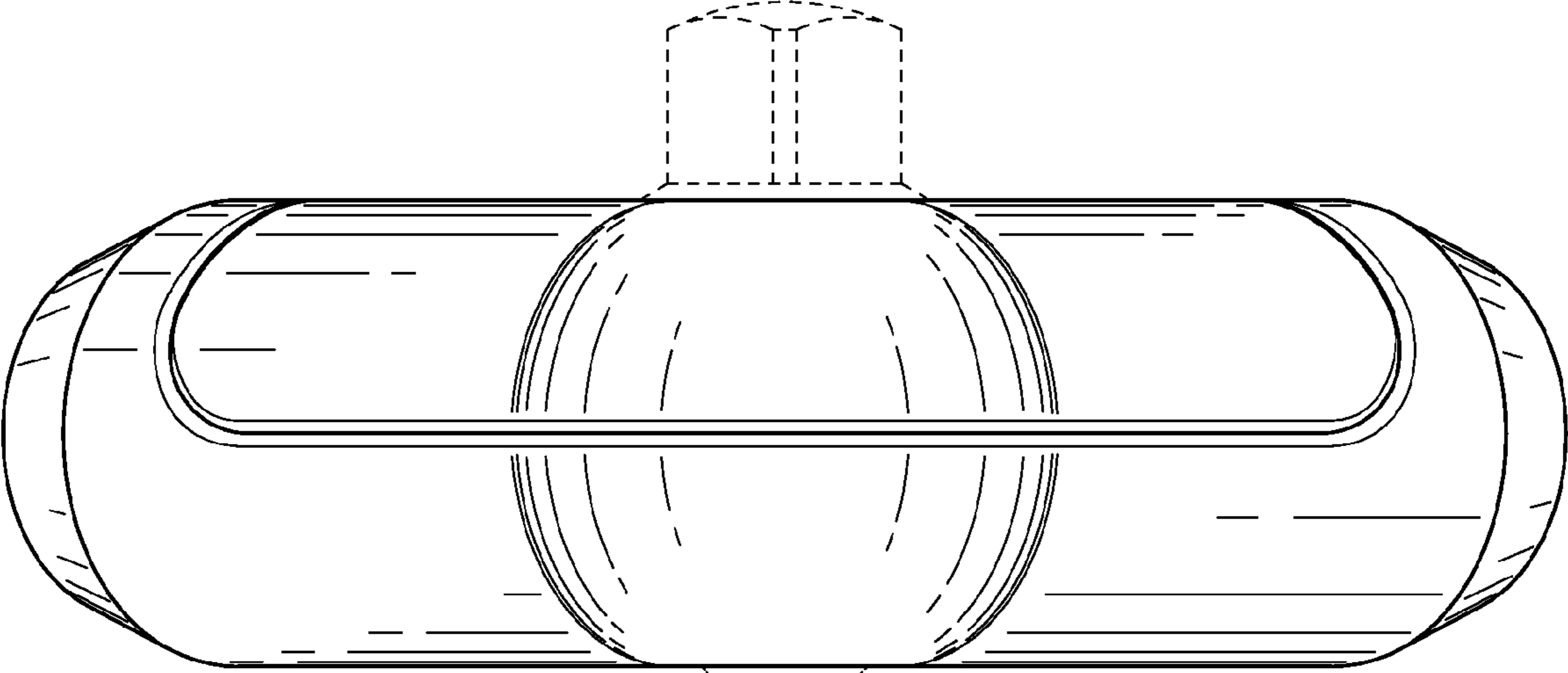


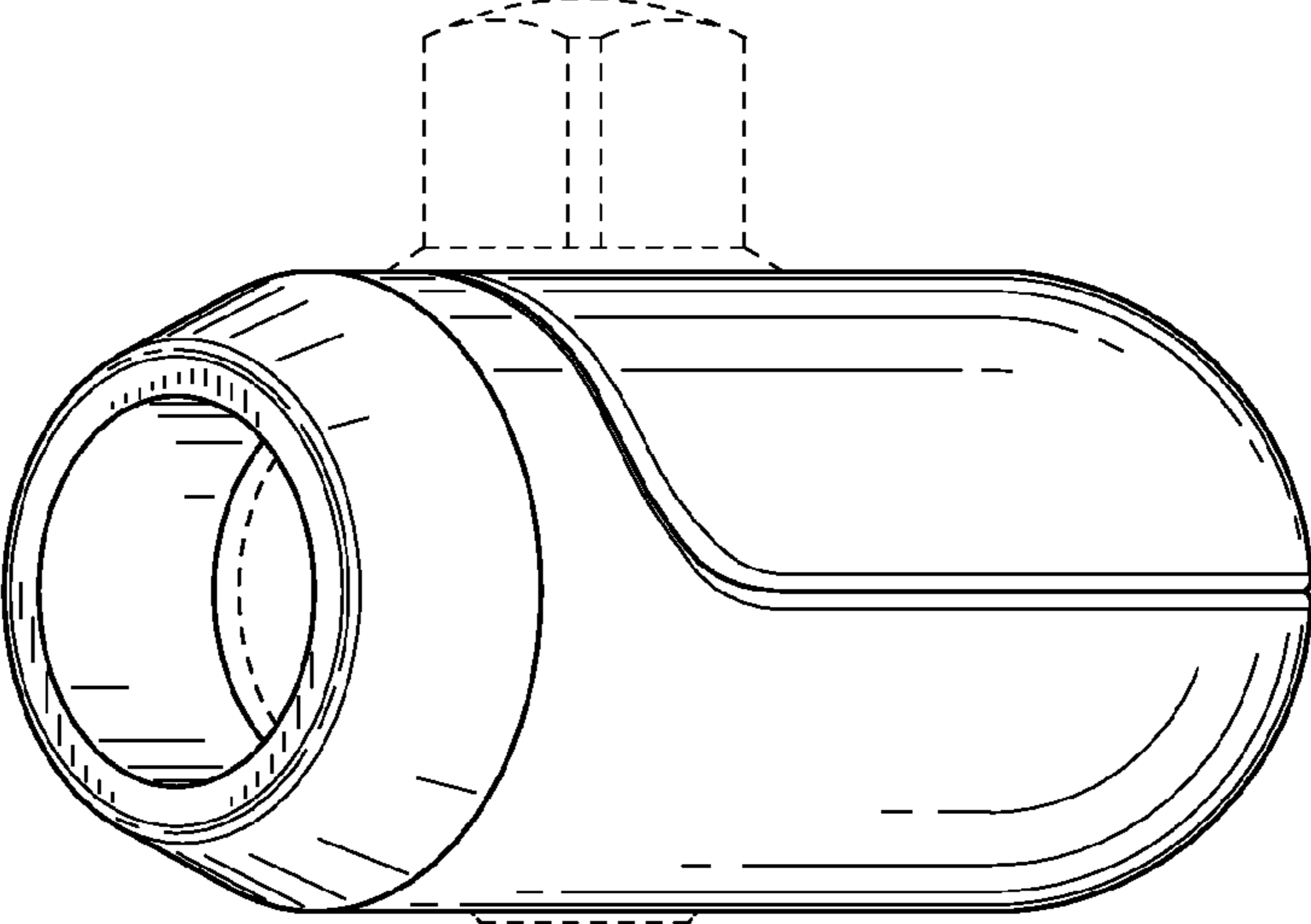
FIG. 2



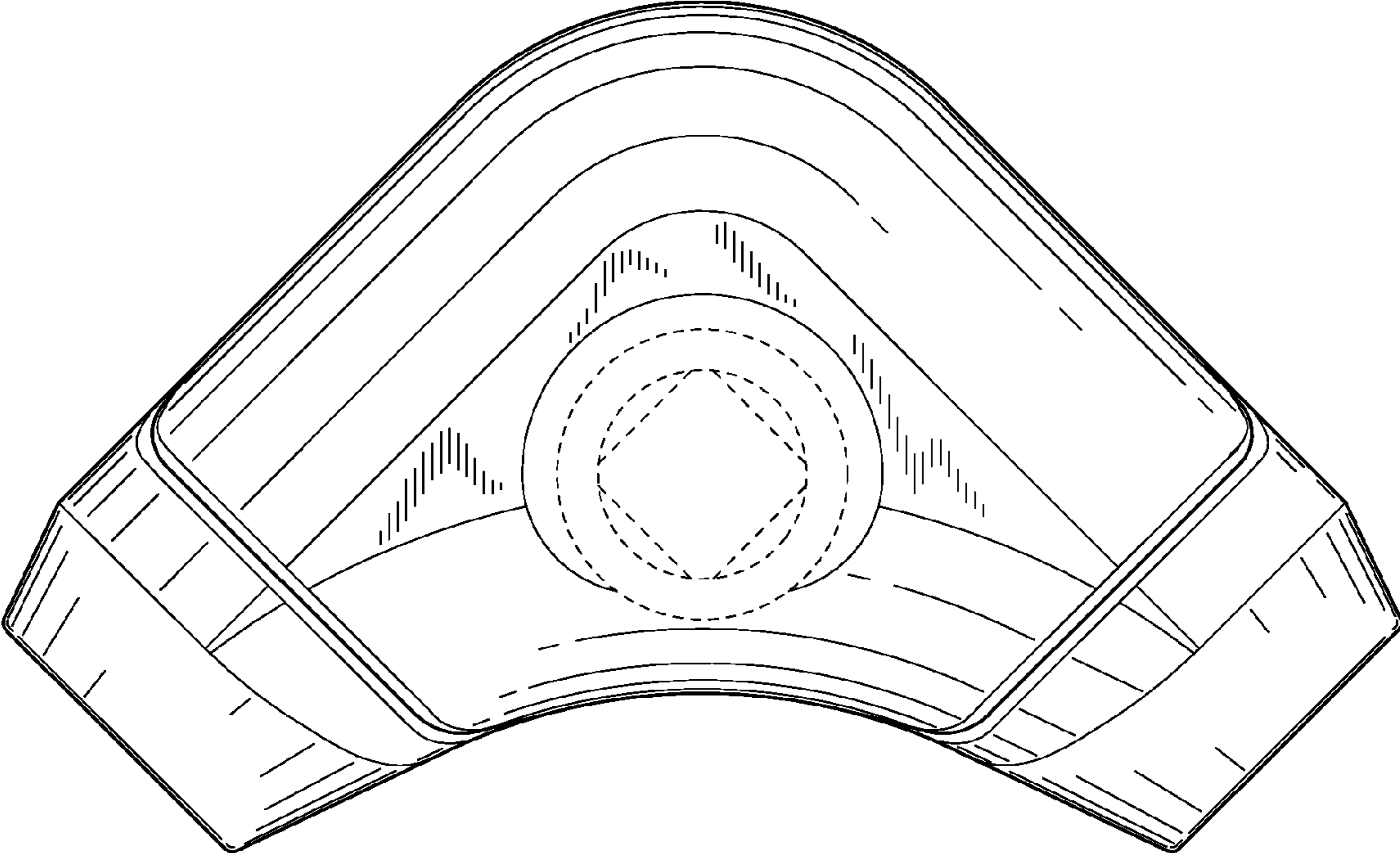
**FIG. 3**



**FIG. 4**



**FIG. 5**



**FIG. 6**

