



US00D633204S

(12) **United States Design Patent**
Macken

(10) **Patent No.:** **US D633,204 S**

(45) **Date of Patent:** **** Feb. 22, 2011**

(54) **EYE MARKER FOR EYE SURGERY**

(76) Inventor: **Peter Leo Macken**, Suite 8, 70 Bowral Street, Bowral, New South Wales (AU) 2576

(**) Term: **14 Years**

(21) Appl. No.: **29/359,302**

(22) Filed: **Apr. 8, 2010**

(30) **Foreign Application Priority Data**

Oct. 9, 2009 (AU) 13915/2009

(51) **LOC (9) Cl.** **24-02**

(52) **U.S. Cl.** **D24/150**

(58) **Field of Classification Search** D24/150, D24/133; 606/1, 5, 6, 107, 161, 166, 172; 600/558; 351/200; 359/511, 600
See application file for complete search history.

(56) **References Cited**

U.S. PATENT DOCUMENTS

5,166,719 A * 11/1992 Chinzei et al. 396/373
D337,383 S * 7/1993 Smith D24/127
D349,342 S * 8/1994 Van Noy et al. D24/143
5,441,045 A * 8/1995 Federman et al. 600/236
6,068,643 A * 5/2000 Milverton 606/191
6,349,726 B1 * 2/2002 Graczyk 128/858

6,361,506 B1 * 3/2002 Saenger et al. 600/587
D462,442 S * 9/2002 Webb D24/150
D462,443 S * 9/2002 Webb D24/150
6,537,282 B1 * 3/2003 Pynson et al. 606/107
6,966,913 B2 * 11/2005 Israel 606/107

* cited by examiner

Primary Examiner—Charles A Rademaker

Assistant Examiner—Carissa C Fitts

(74) *Attorney, Agent, or Firm*—Whitham, Curtis, Christofferson & Cook, P.C.

(57) **CLAIM**

I claim the ornamental design for a eye marker for eye surgery, as shown and described.

DESCRIPTION

FIG. 1 is a top rear perspective view of the eye marker for eye surgery;

FIG. 2 is a rear plan view of the eye marker for eye surgery;

FIG. 3 is a bottom front perspective view of the eye marker for eye surgery;

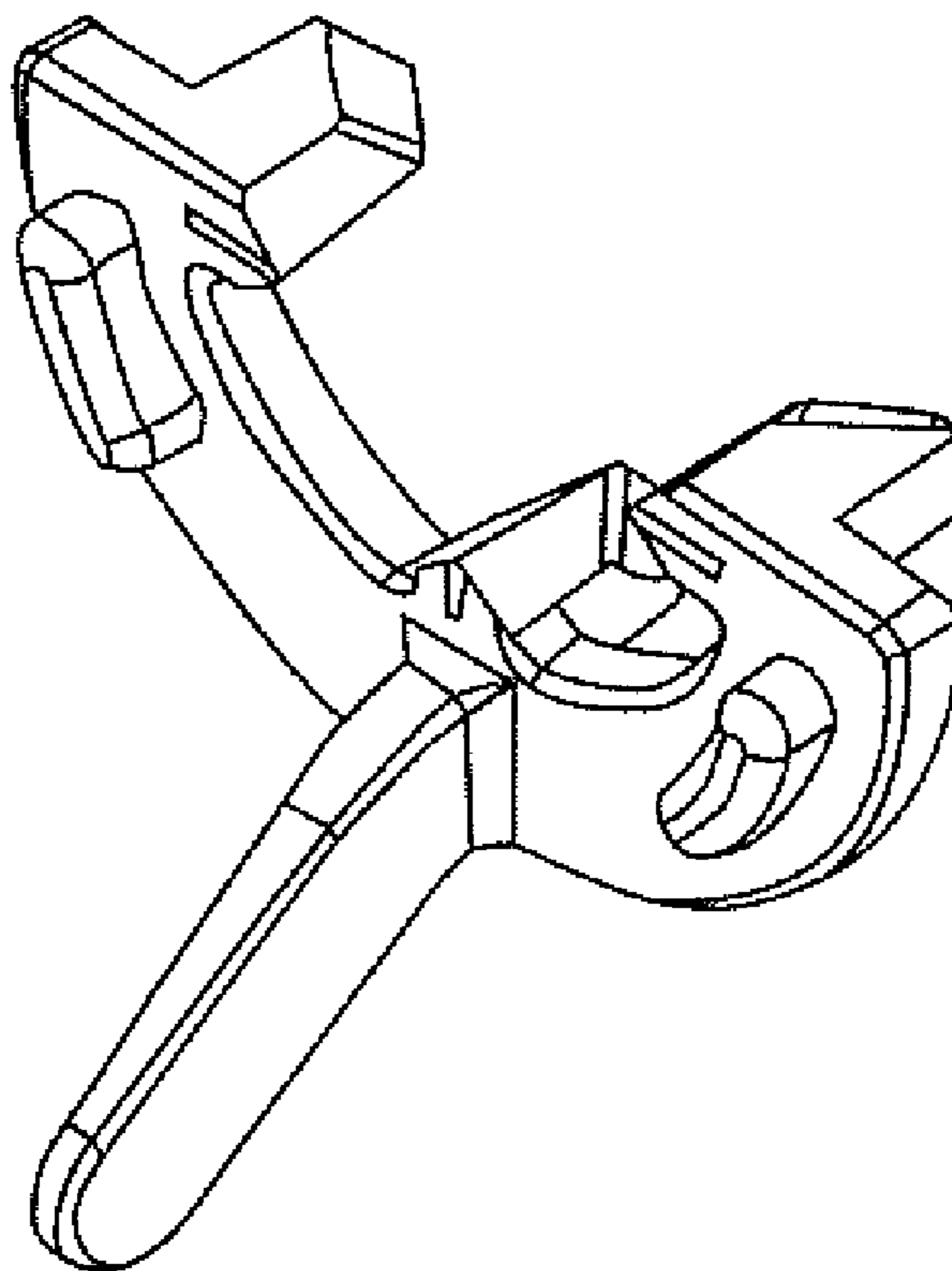
FIG. 4 is a front plan view of the eye marker for eye surgery;

FIG. 5 is top view of the eye marker for eye surgery;

FIG. 6 is a bottom view of the eye marker for eye surgery; and,

FIG. 7 is a side view of the eye marker for eye surgery.

1 Claim, 4 Drawing Sheets



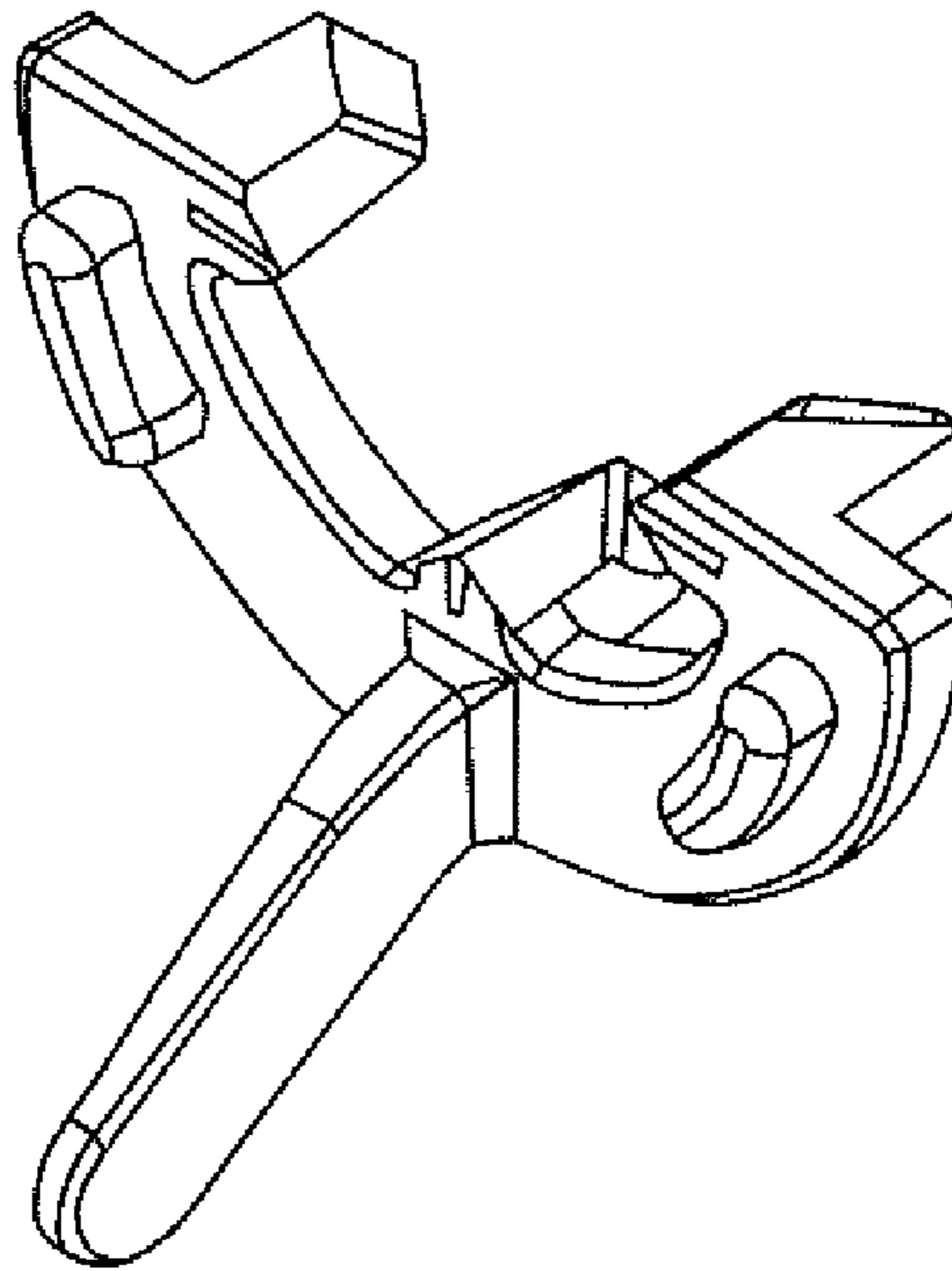


FIG. 1

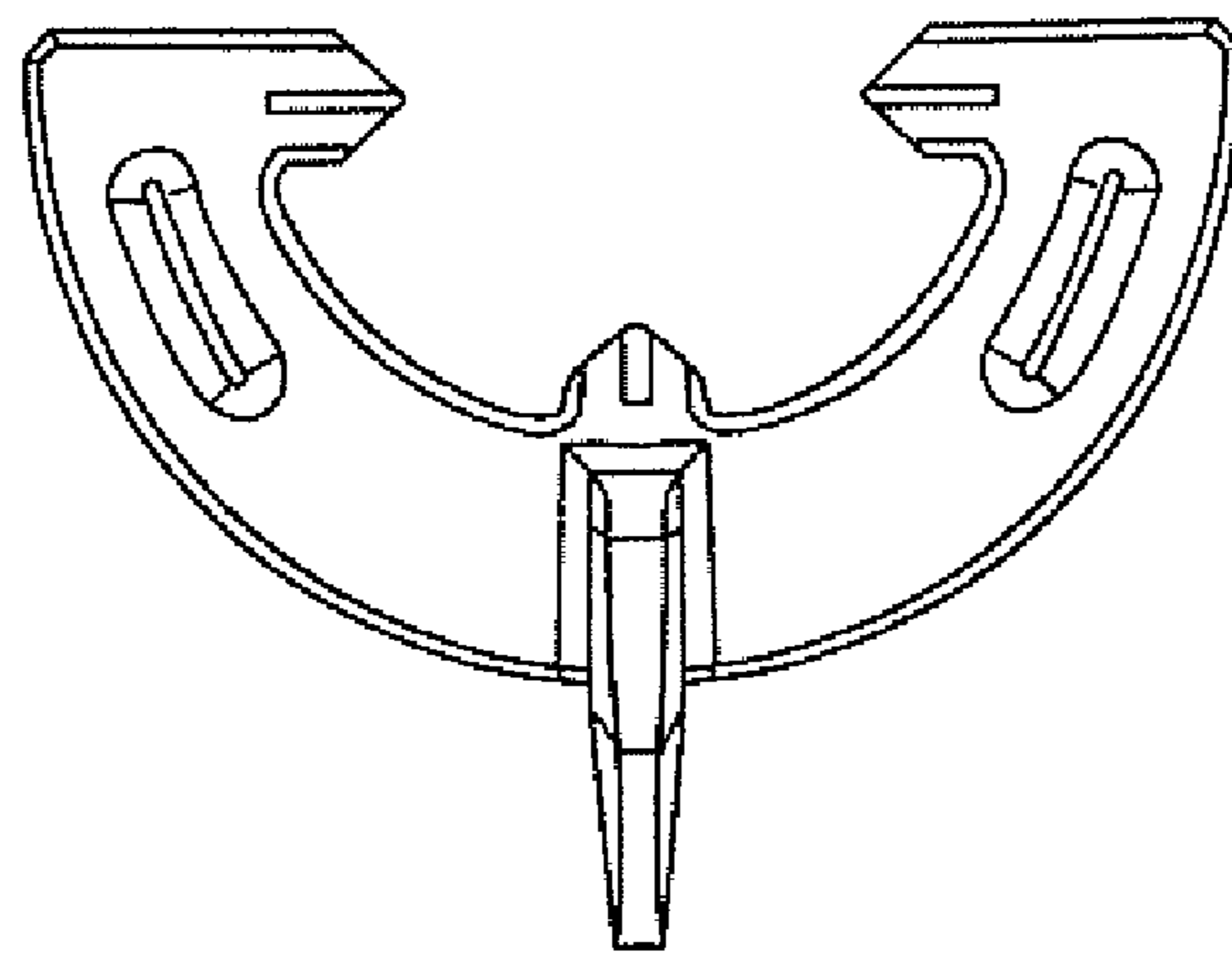


FIG. 2

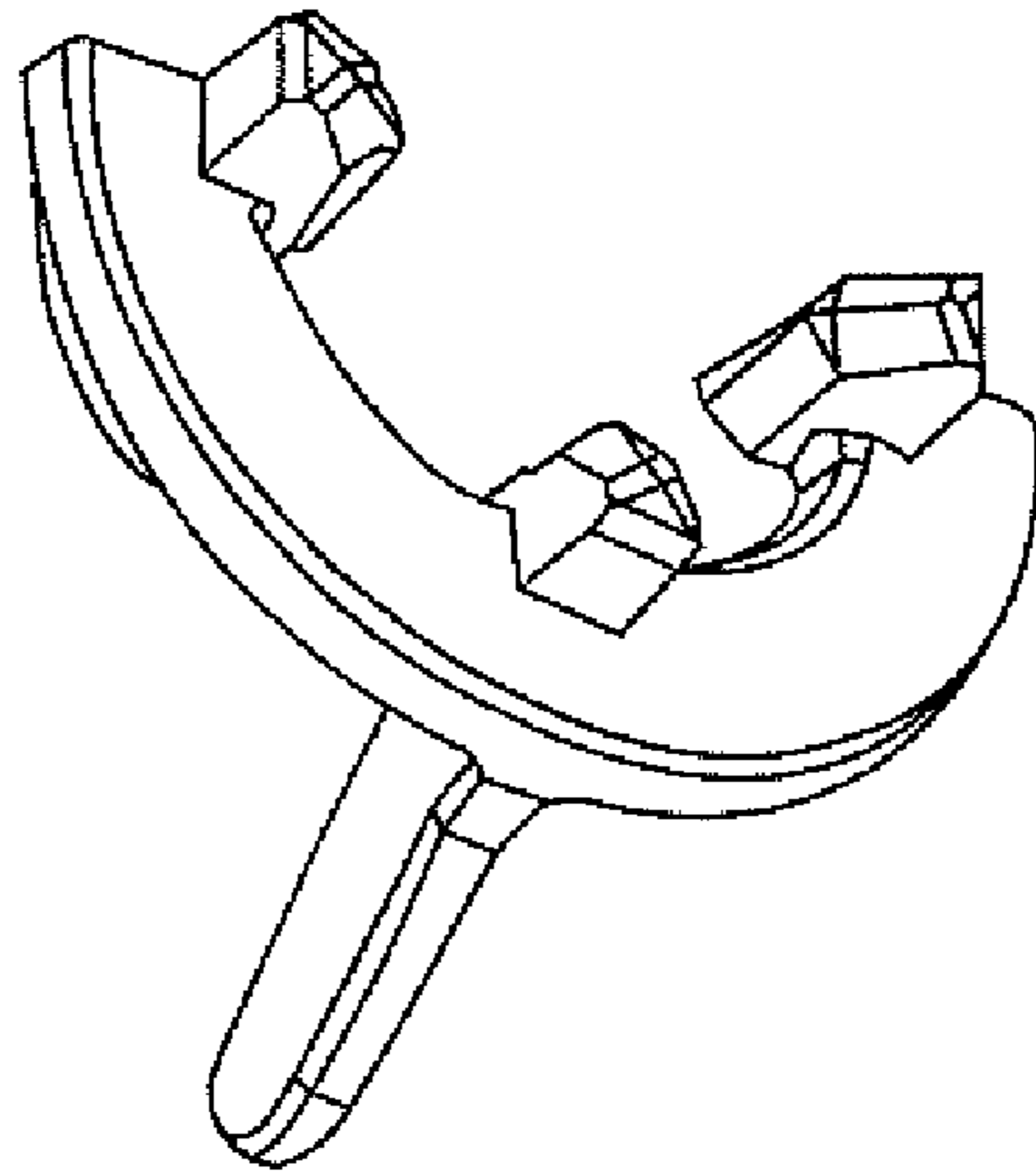


FIG. 3

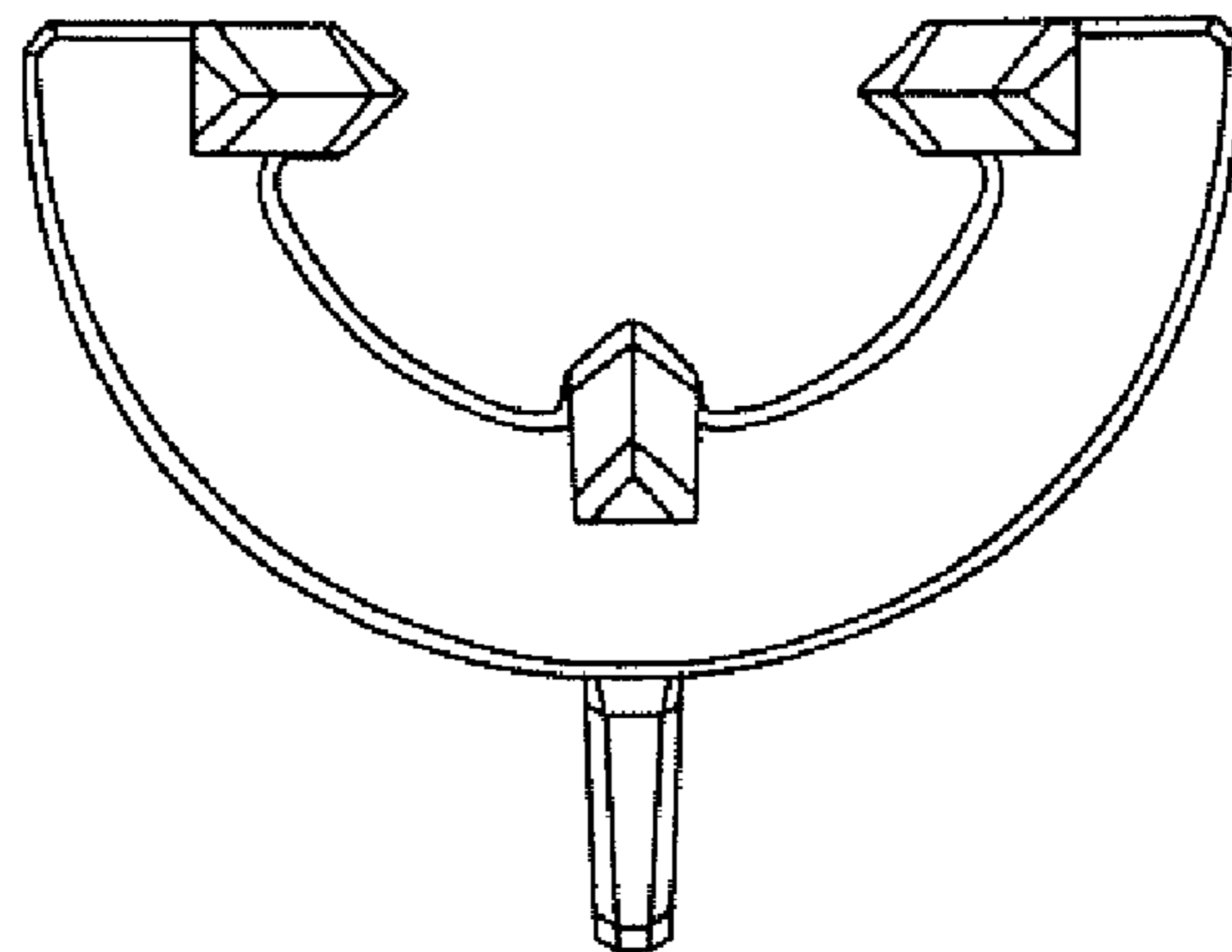


FIG. 4

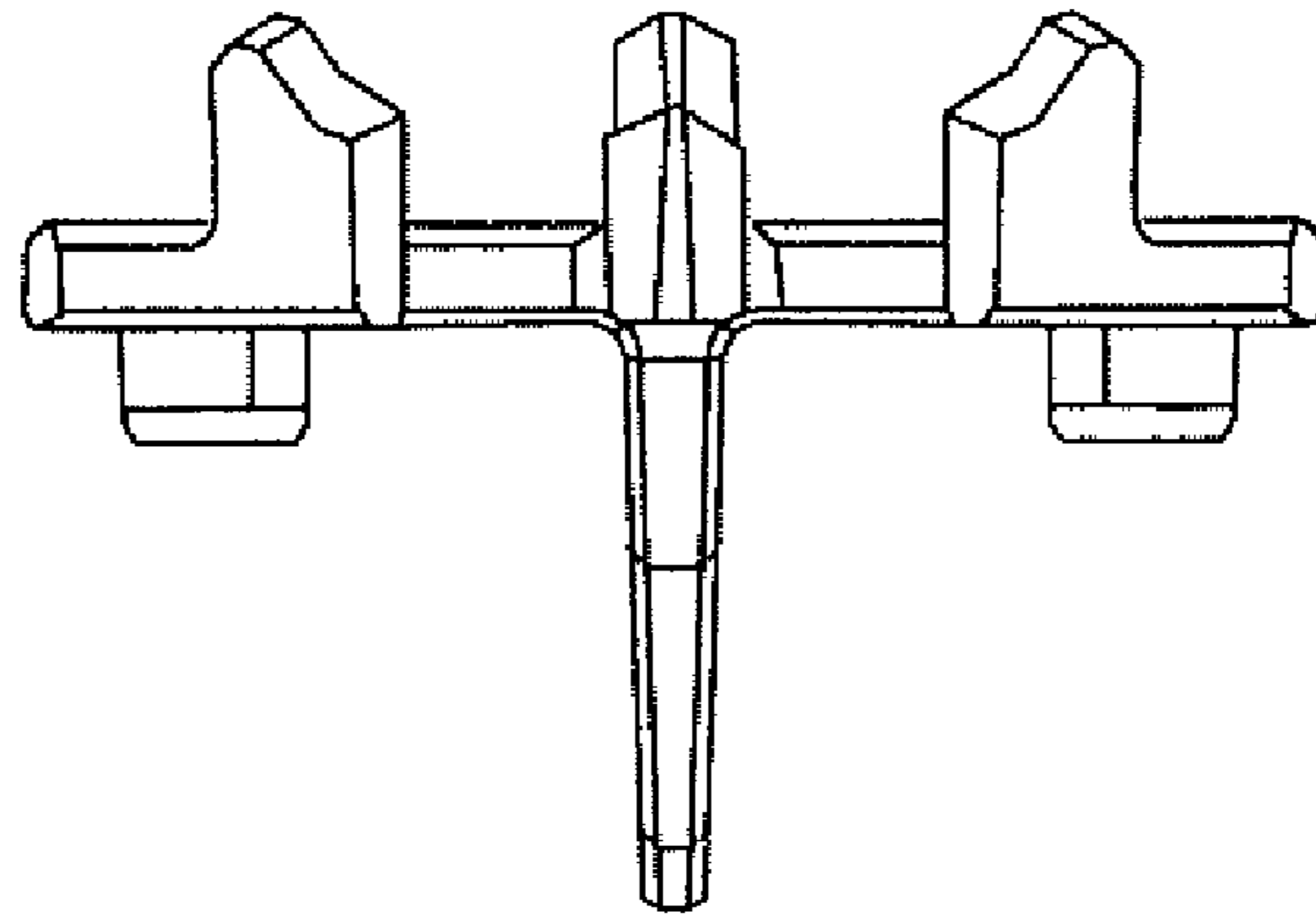


FIG. 5

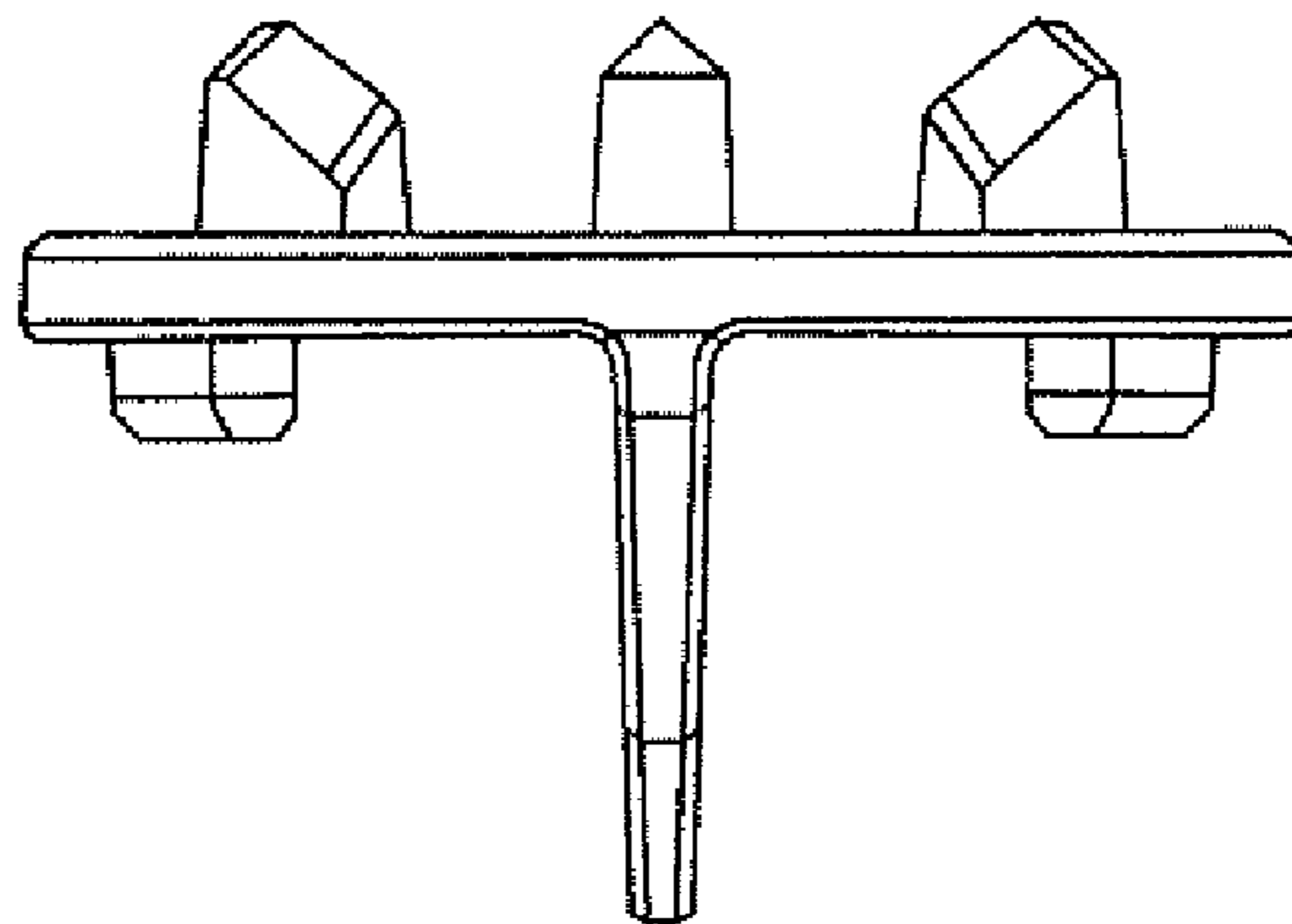


FIG. 6

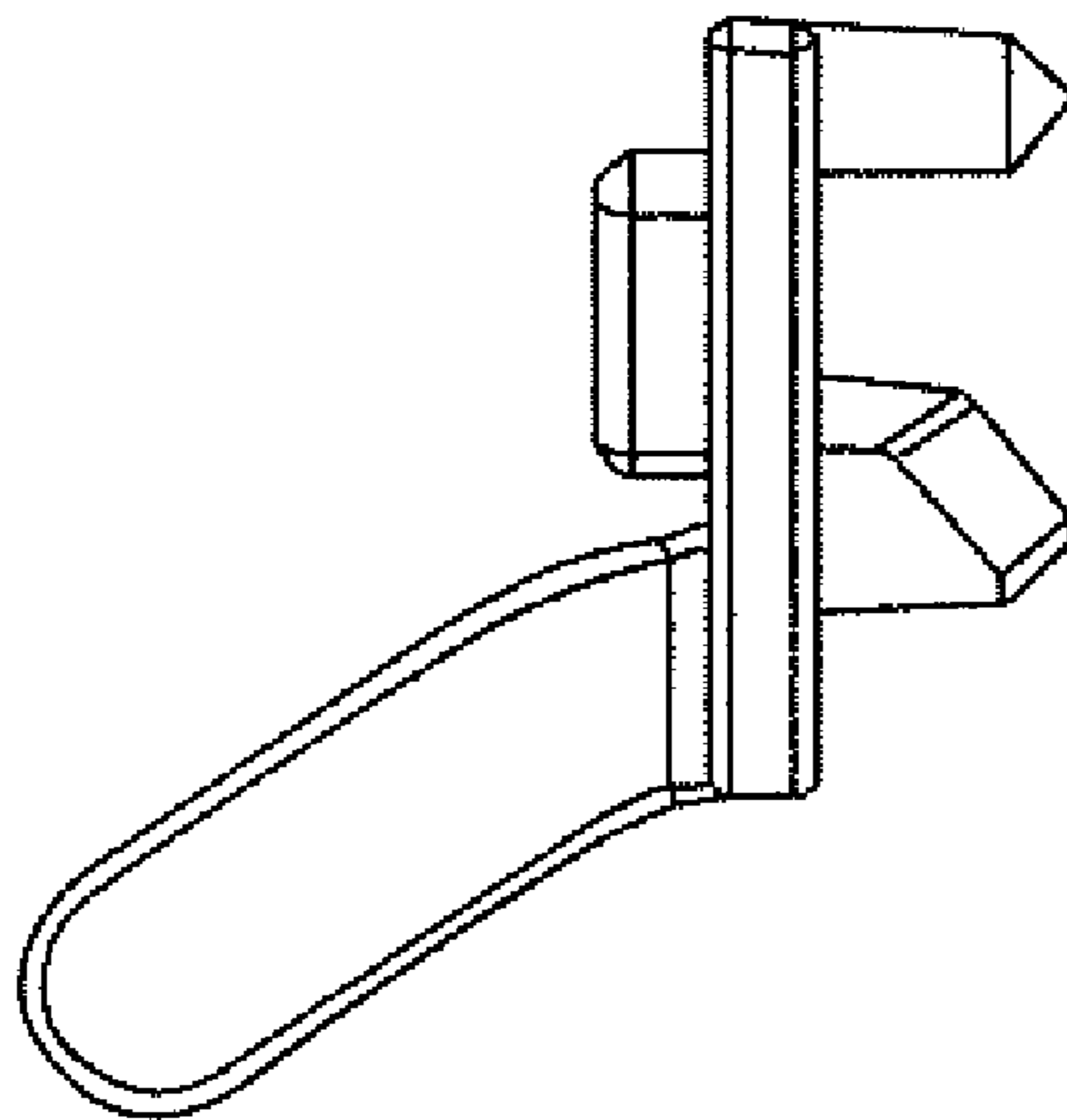


FIG. 7