



US00D633203S

(12) **United States Design Patent**
Weston et al.

(10) **Patent No.:** **US D633,203 S**

(45) **Date of Patent:** **** Feb. 22, 2011**

(54) **OPHTHALMIC SURGICAL DEVICE FOR
ENDOTHELIAL KERATOPLASTY**

(76) Inventors: **Philip Douglas Weston**, 529 Colonel
Ledyard Hwy., P.O. Box 639, Ledyard,
CT (US) 06339; **Donald Tan**, 49 Oci
Tiong ham Park, Singapore (SG) 267054;
Jod Mehta, 0701 Tower C, Dover Park
View, 32 Dover Rise, Singapore (SG)
138686

(**) Term: **14 Years**

(21) Appl. No.: **29/348,716**

(22) Filed: **Jan. 28, 2010**

(51) **LOC (9) Cl.** **24-02**

(52) **U.S. Cl.** **D24/150**

(58) **Field of Classification Search** D24/150,
D24/133; 606/1, 5, 6, 107, 161, 166, 172;
600/558; 351/200; 359/511, 600

See application file for complete search history.

(56) **References Cited**

U.S. PATENT DOCUMENTS

D349,342	S *	8/1994	Van Noy et al.	D24/143
5,944,731	A *	8/1999	Hanna	606/166
6,022,365	A *	2/2000	Aufaure et al.	606/166
6,143,010	A *	11/2000	Silvestrini et al.	606/166
6,228,099	B1 *	5/2001	Dybbs	606/166

D462,443	S *	9/2002	Webb	D24/150
6,443,634	B1 *	9/2002	Tsuboi	396/448
D559,388	S *	1/2008	Melcher	D24/150
7,338,508	B2 *	3/2008	Dybbs	606/166
2002/0091401	A1 *	7/2002	Hellenkamp	606/166
2010/0211051	A1 *	8/2010	Weston et al.	606/1

* cited by examiner

Primary Examiner—Charles A Rademaker

Assistant Examiner—Carissa C Fitts

(74) *Attorney, Agent, or Firm*—Ira S. Dorman

(57) **CLAIM**

The ornamental design for an ophthalmic surgical device for endothelial keratoplasty, as shown and described.

DESCRIPTION

FIG. 1 is a top perspective view of an ophthalmic surgical system embodying the present invention;

FIG. 2 is a side view of the system of FIG. 1, the opposite side view being a mirror image thereof;

FIG. 3 is a plan view of the system;

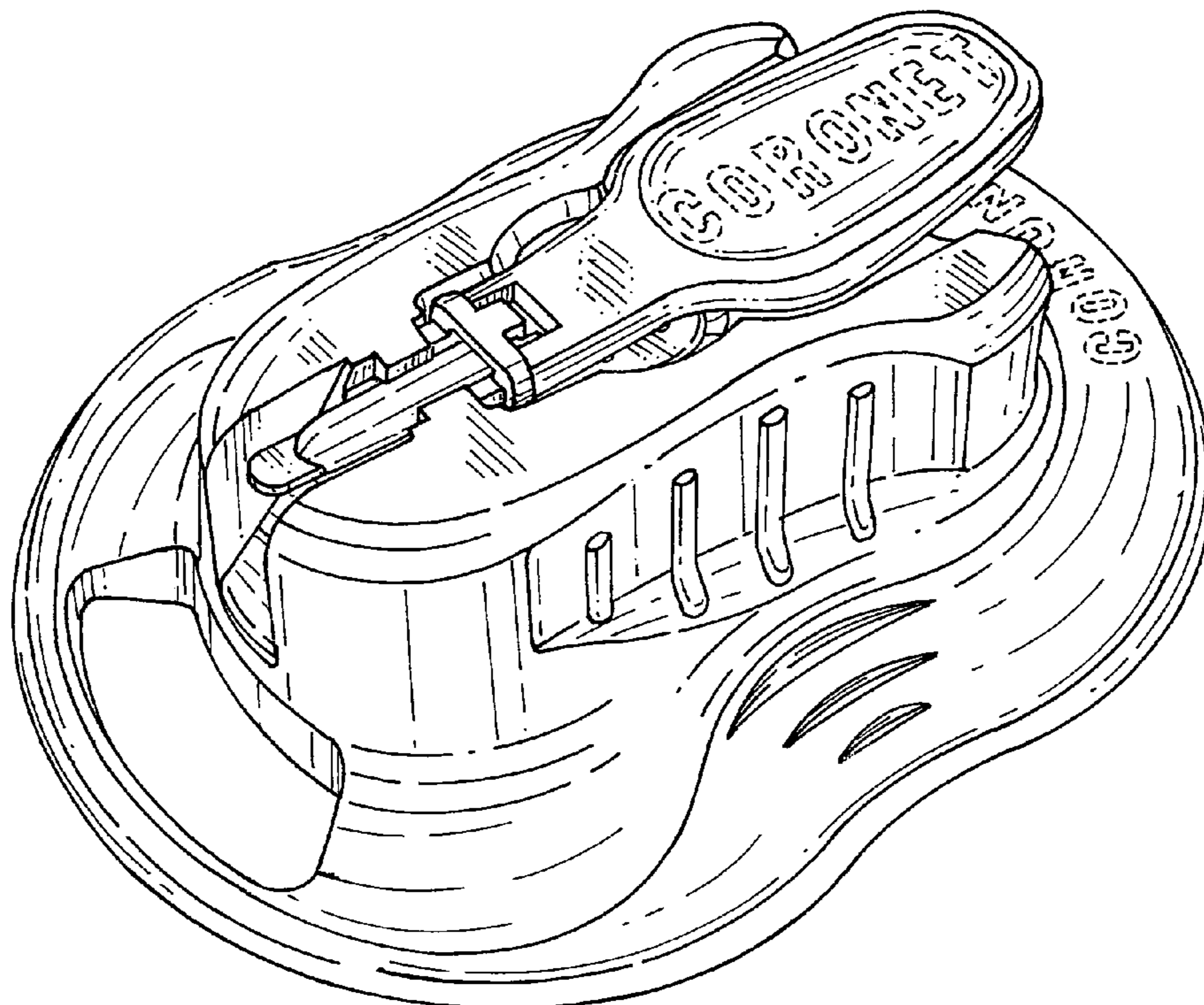
FIG. 4 is a front end view of the system;

FIG. 5 is a rear end view of the system; and,

FIG. 6 is a bottom perspective view of the system.

The broken line showing is for environmental purposes only and forms no part of the claimed design.

1 Claim, 4 Drawing Sheets



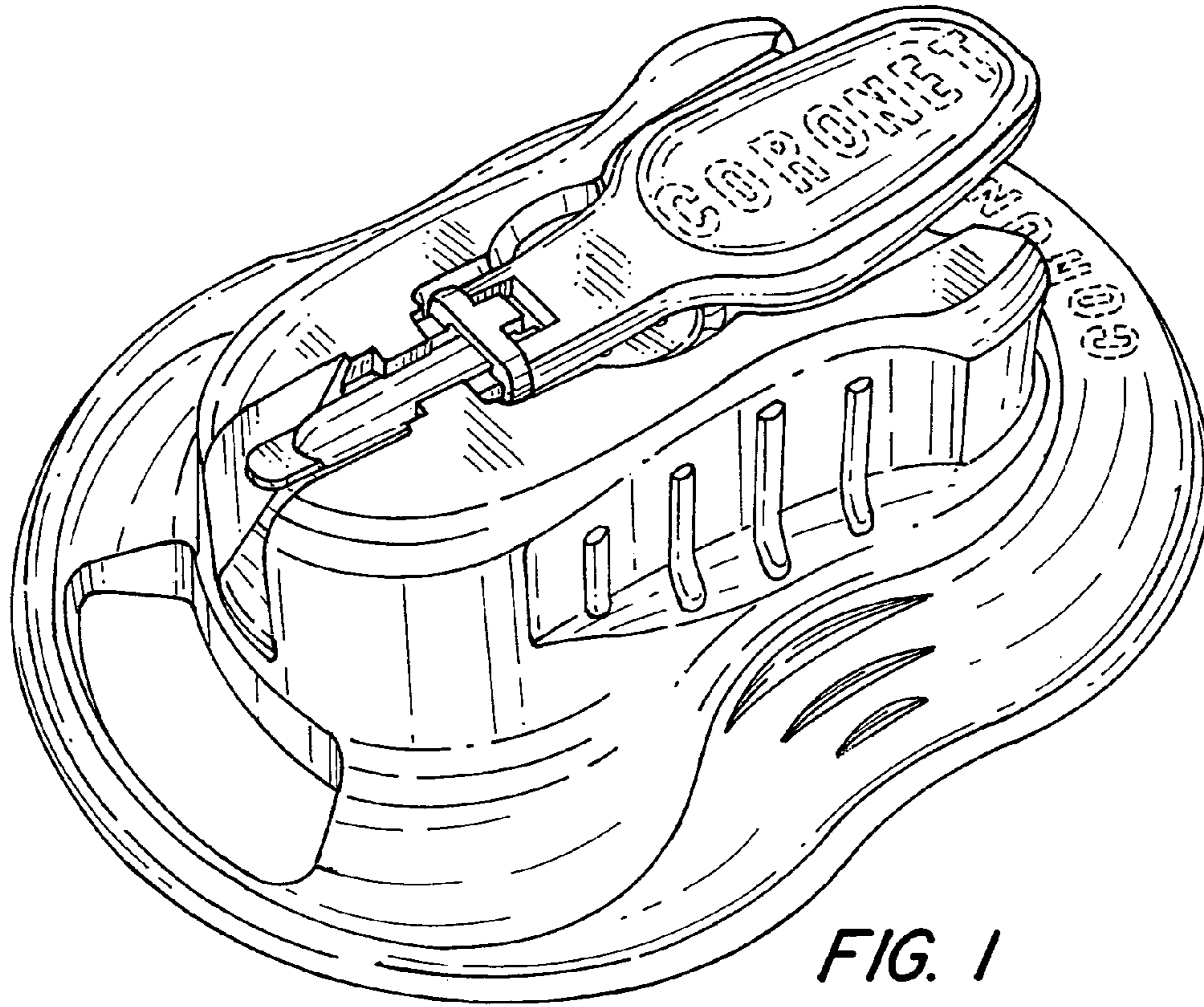


FIG. 1

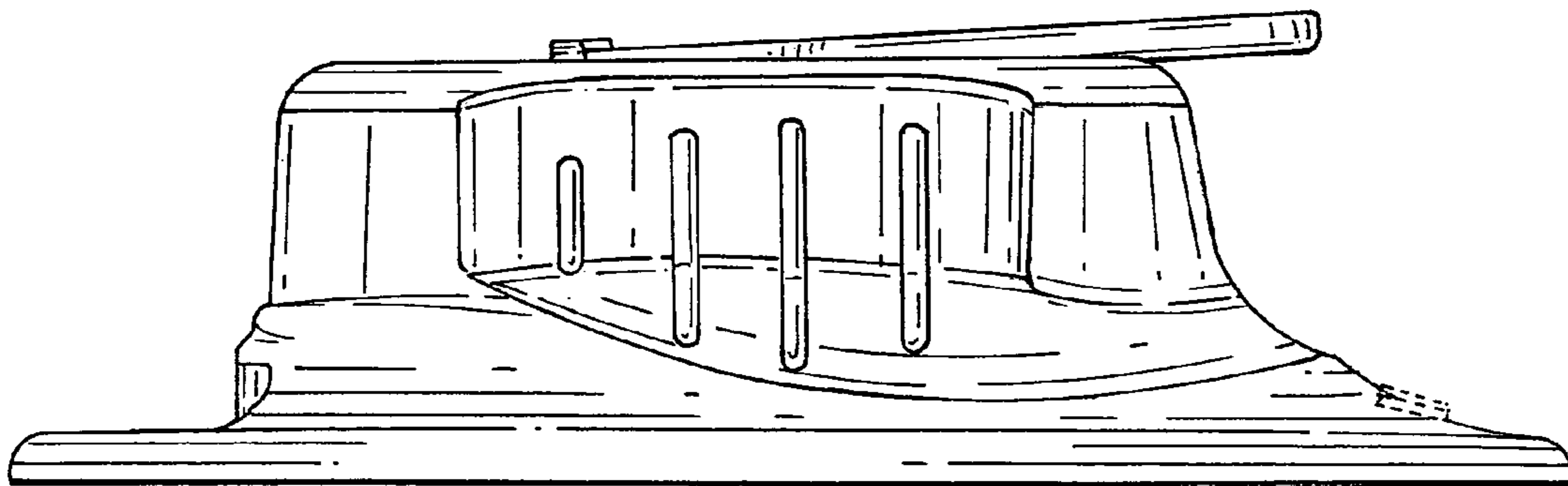


FIG. 2

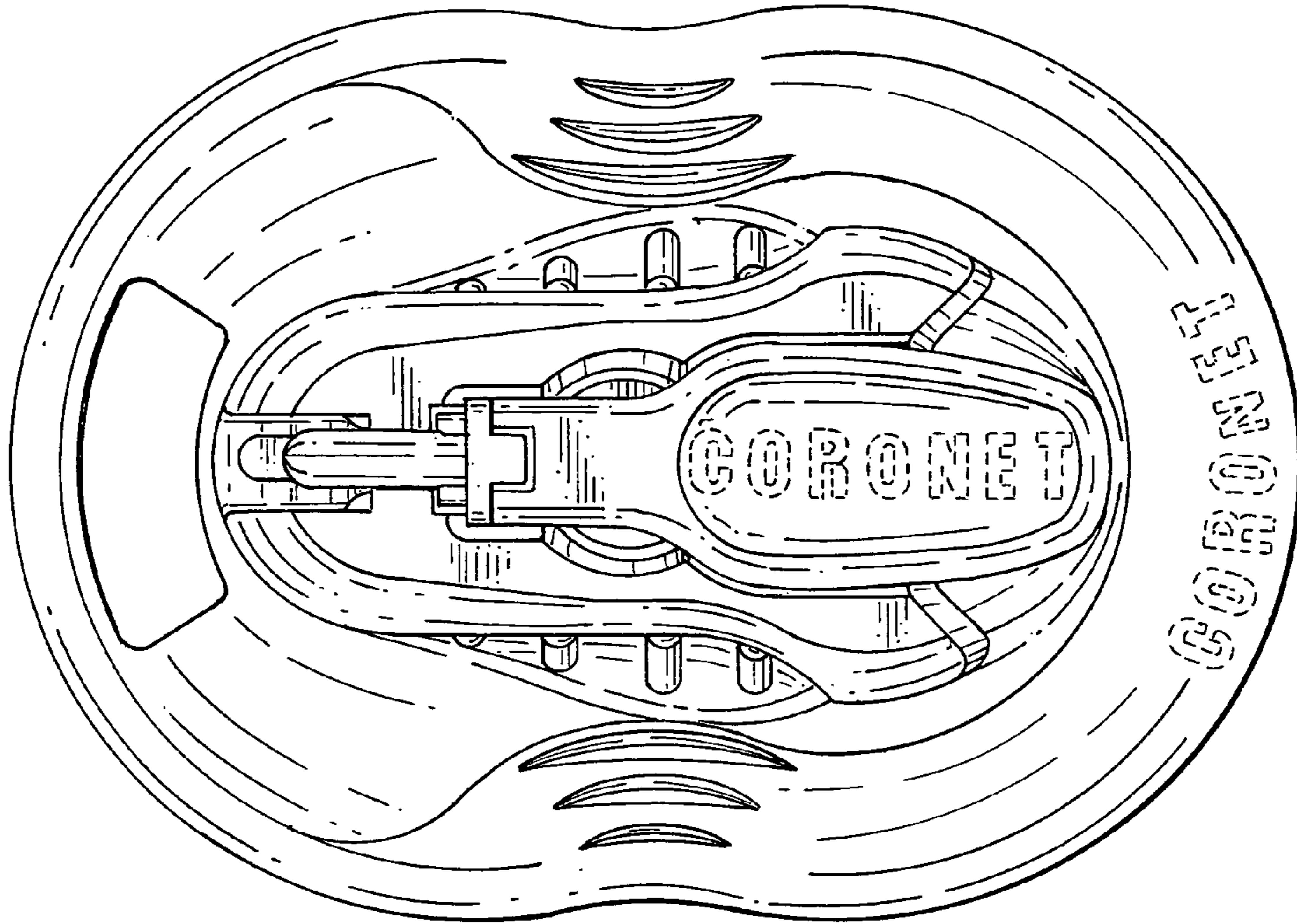


FIG. 3

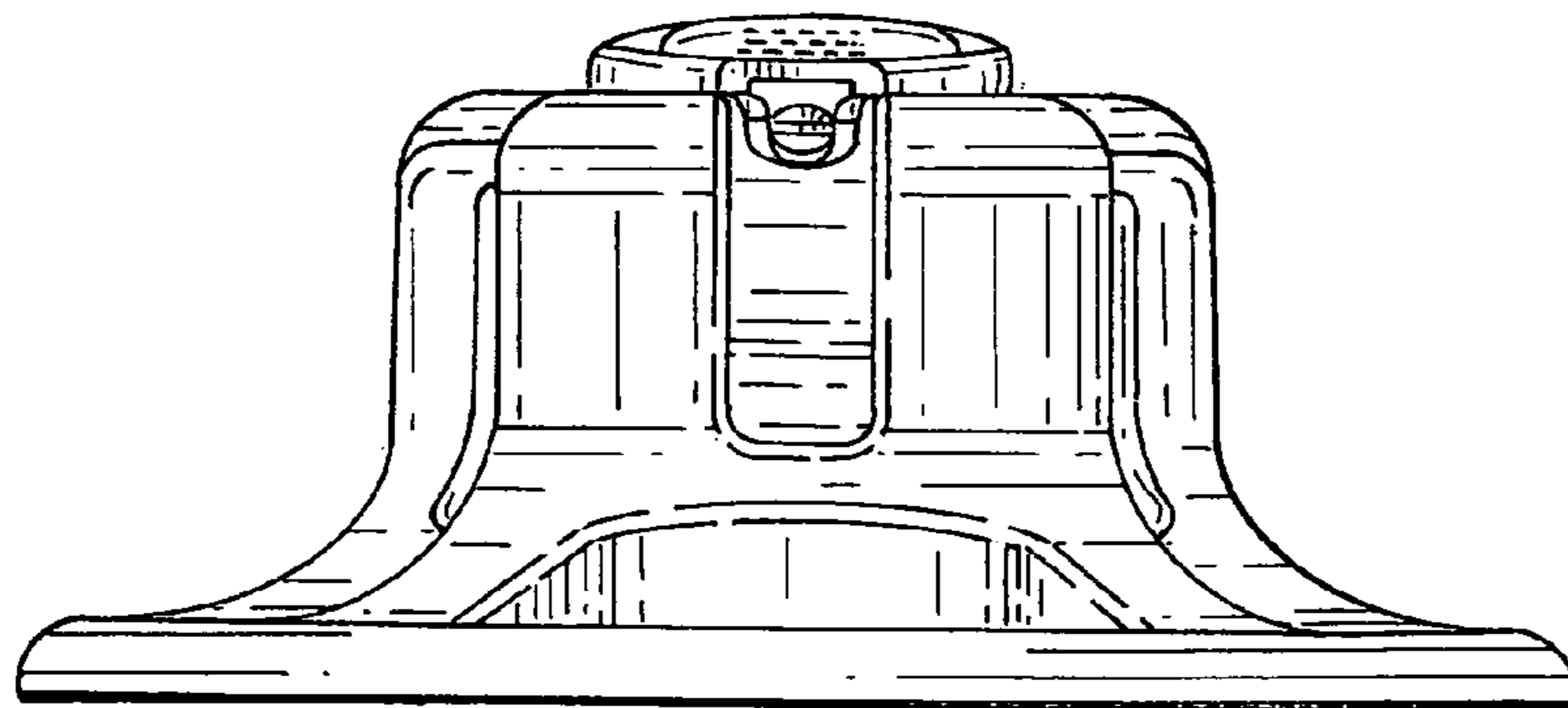


FIG. 4

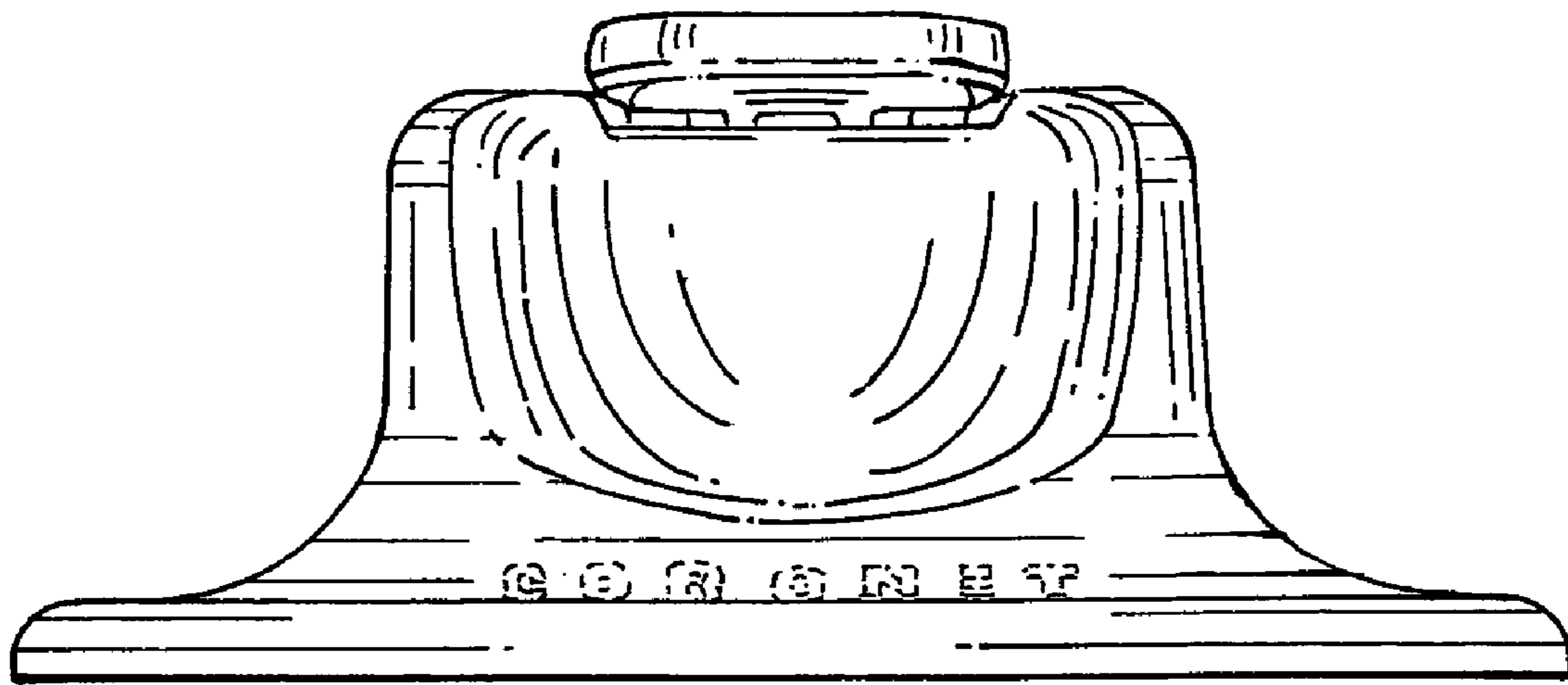


FIG. 5

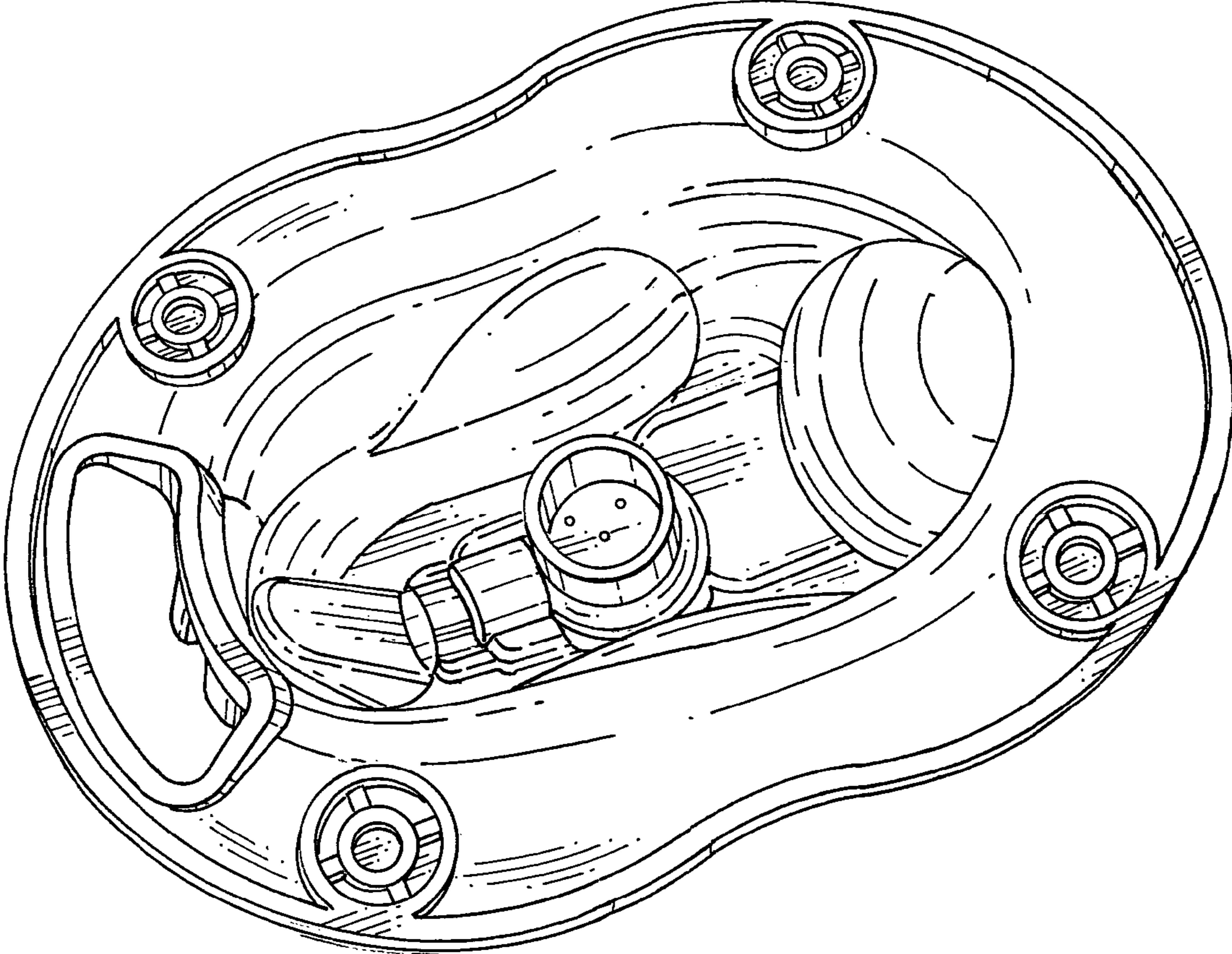


FIG. 6