



US00D633202S

(12) **United States Design Patent**  
**Maeda et al.**

(10) **Patent No.:** **US D633,202 S**

(45) **Date of Patent:** **\*\* Feb. 22, 2011**

(54) **GASKET FOR INJECTOR**

(75) Inventors: **Katsushi Maeda**, Kobe (JP); **Eiji Yao**,  
Kobe (JP)

(73) Assignee: **Sumitomo Rubber Industries, Ltd.**,  
Kobe (JP)

(\*\*) Term: **14 Years**

(21) Appl. No.: **29/365,770**

(22) Filed: **Jul. 14, 2010**

(30) **Foreign Application Priority Data**

Jan. 14, 2010 (JP) ..... 2010-000745

(51) **LOC (9) Cl.** ..... **24-02**

(52) **U.S. Cl.** ..... **D24/130**

(58) **Field of Classification Search** ..... D24/112,  
D24/114, 127-131; 206/363-364, 367; 604/54,  
604/110, 192, 263, 295

See application file for complete search history.

(56) **References Cited**

**U.S. PATENT DOCUMENTS**

D205,269	S	*	7/1966	Gray	.....	D24/130
D287,053	S	*	12/1986	Bucchianeri et al.	.....	D24/130
4,921,486	A	*	5/1990	DeChellis et al.	.....	604/110
4,973,308	A	*	11/1990	Borras et al.	.....	604/110
5,057,087	A	*	10/1991	Harmon	.....	604/198
5,106,372	A	*	4/1992	Ranford	.....	604/110
5,395,339	A	*	3/1995	Talonn et al.	.....	604/111
5,722,951	A	*	3/1998	Marano	.....	604/110
6,129,712	A	*	10/2000	Sudo et al.	.....	604/218
6,511,459	B1	*	1/2003	Fago	.....	604/181
6,716,199	B2	*	4/2004	DeHarde et al.	.....	604/263
D578,210	S	*	10/2008	Muta et al.	.....	D24/114
D583,938	S	*	12/2008	Sudo	.....	D24/130

D589,612	S	*	3/2009	Sudo	.....	D24/130
7,588,556	B2	*	9/2009	Byrne et al.	.....	604/110
7,763,006	B2	*	7/2010	Tennican	.....	604/500
7,766,882	B2	*	8/2010	Sudo et al.	.....	604/218
2001/0053886	A1	*	12/2001	Caizza	.....	604/110
2006/0178643	A1	*	8/2006	Sudo et al.	.....	604/230
2008/0281266	A1	*	11/2008	Walton et al.	.....	604/110
2010/0042055	A1	*	2/2010	Sudo et al.	.....	604/218

**FOREIGN PATENT DOCUMENTS**

JP	10-000236	1/1998
JP	1052896	10/1999

\* cited by examiner

*Primary Examiner*—T. Chase Nelson  
*Assistant Examiner*—Eric L Goodman

(74) *Attorney, Agent, or Firm*—Birch, Stewart, Kolasch &  
Birch, LLP

(57) **CLAIM**

The ornamental design for a gasket for injector, as shown and described.

**DESCRIPTION**

FIG. 1 is a front view of a gasket for injector showing my new design;

FIG. 2 is a bottom perspective view thereof;

FIG. 3 is a left side view thereof;

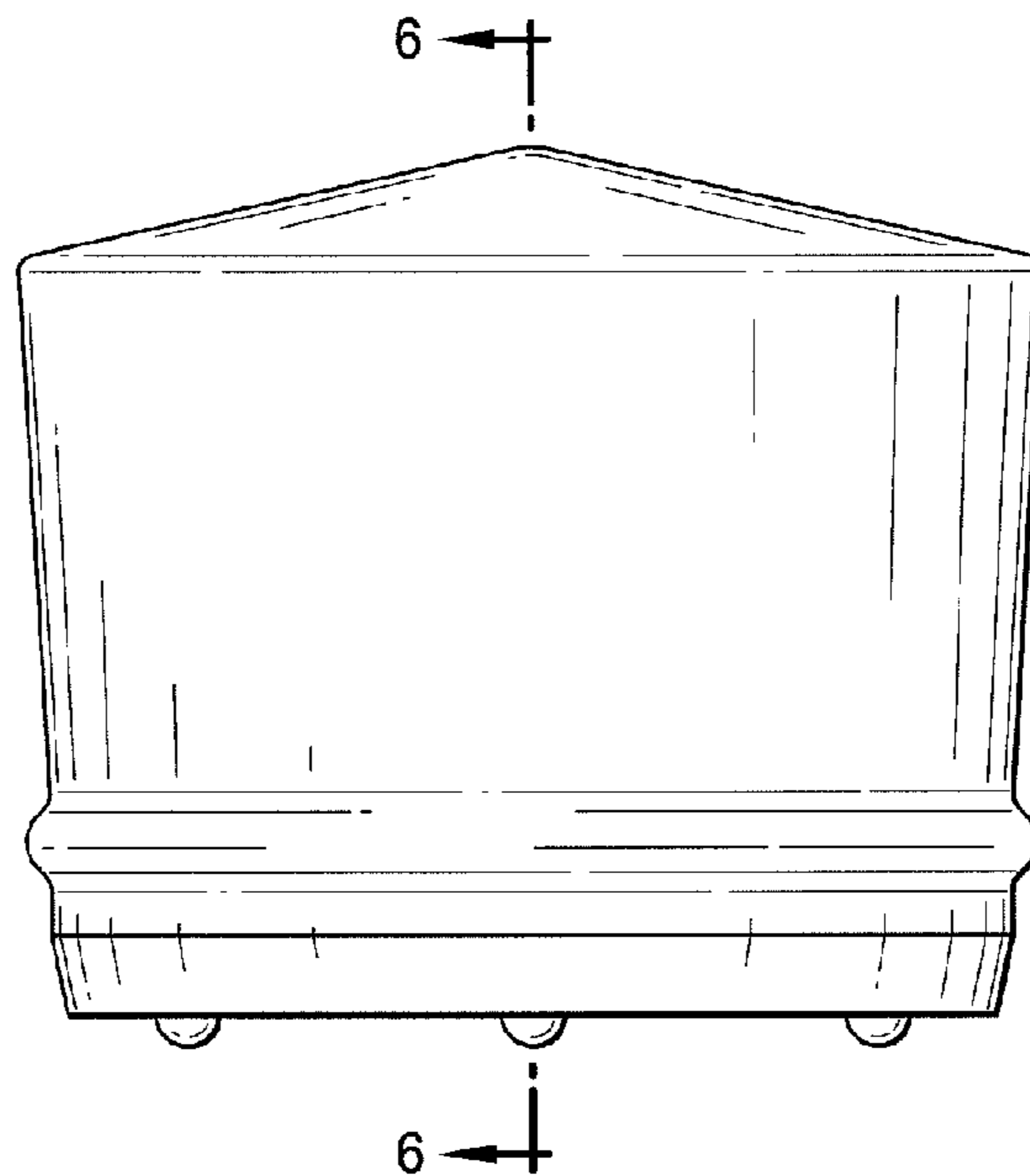
FIG. 4 is a top view thereof;

FIG. 5 is a bottom view thereof; and,

FIG. 6 is a cross-sectional view along line 6—6 as shown in FIG. 1 thereof.

The rear view is the same as the front view and the right side view is the same as the left side view.

**1 Claim, 6 Drawing Sheets**



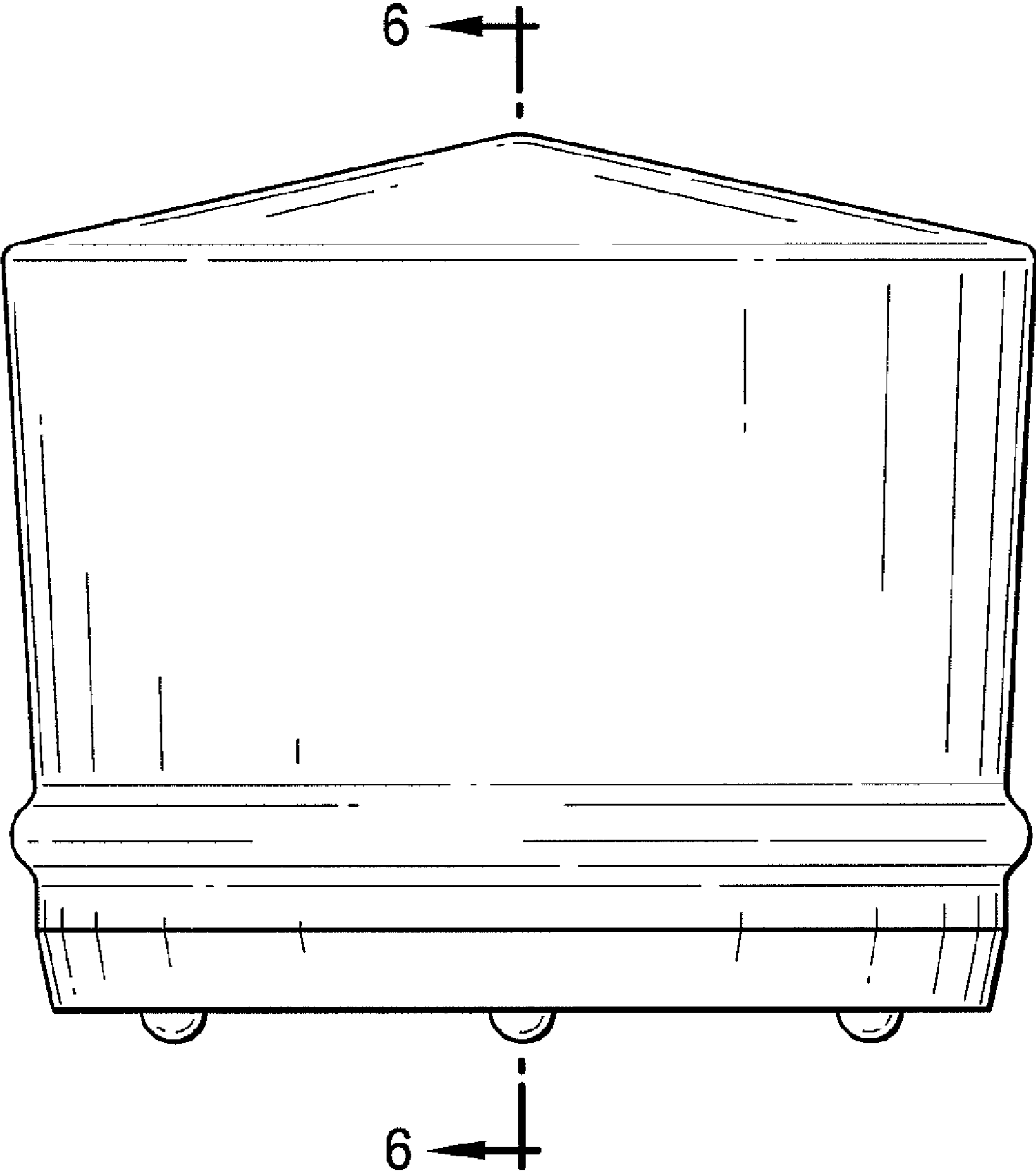


FIG. 1

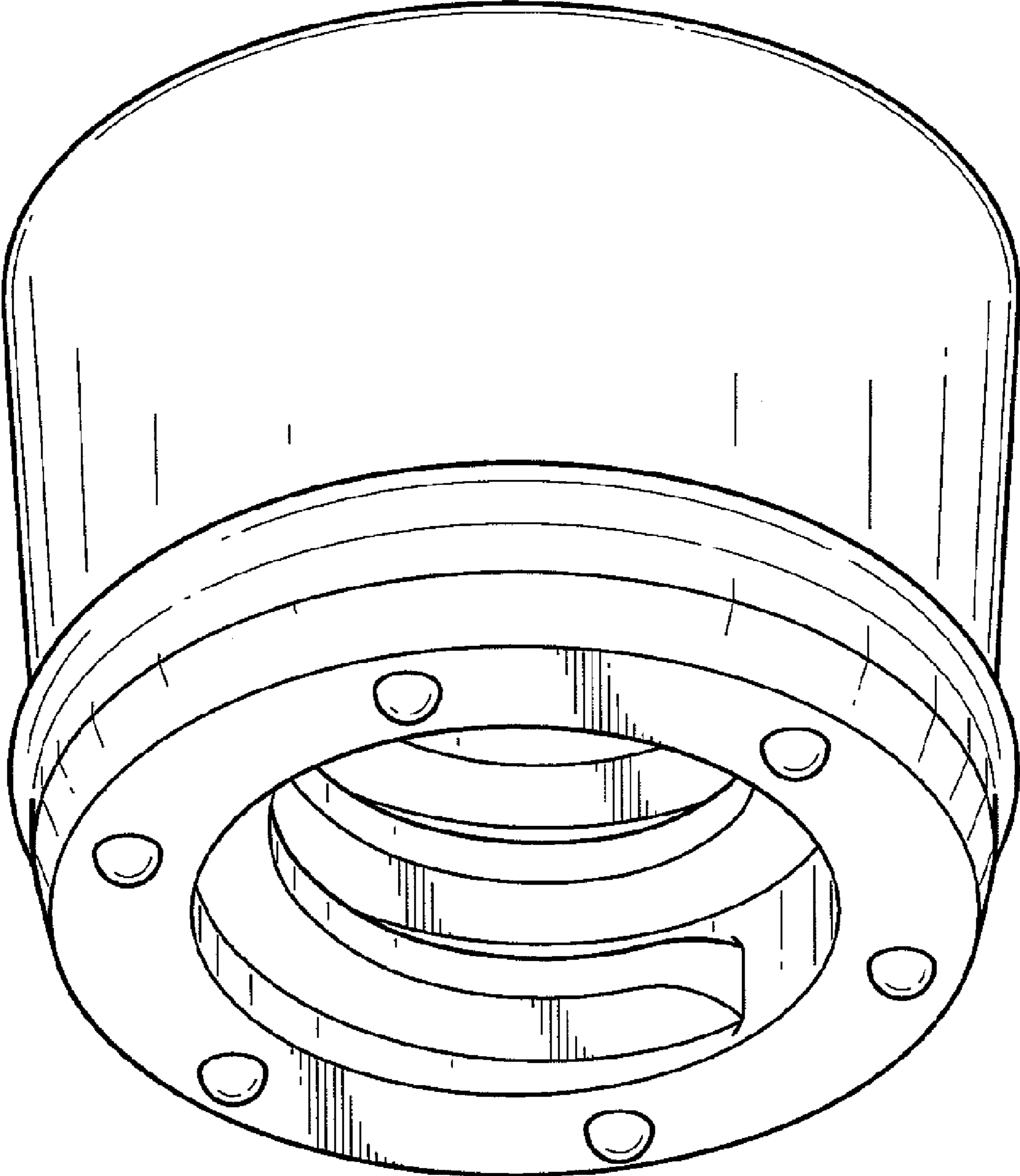


FIG.2

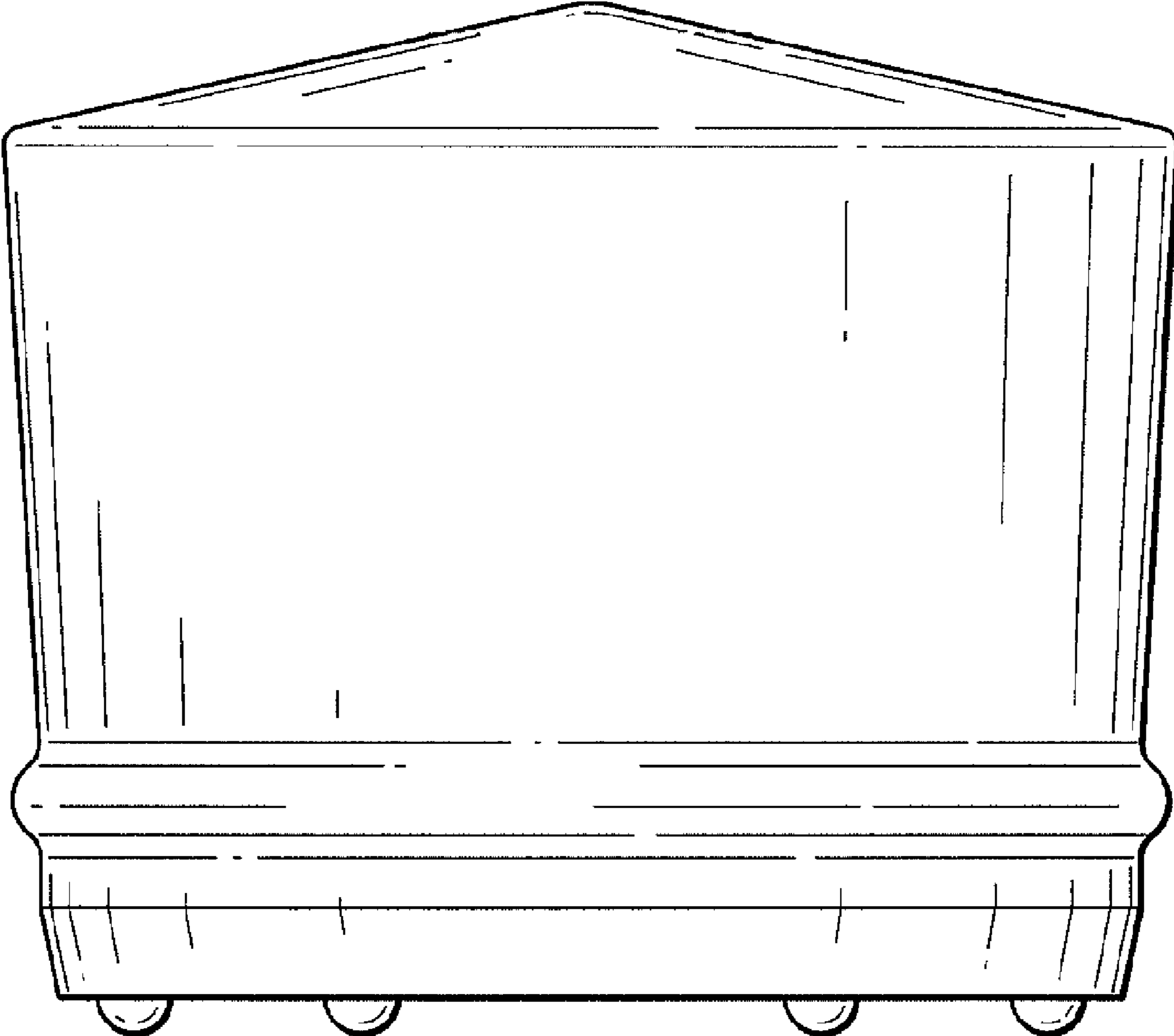


FIG.3

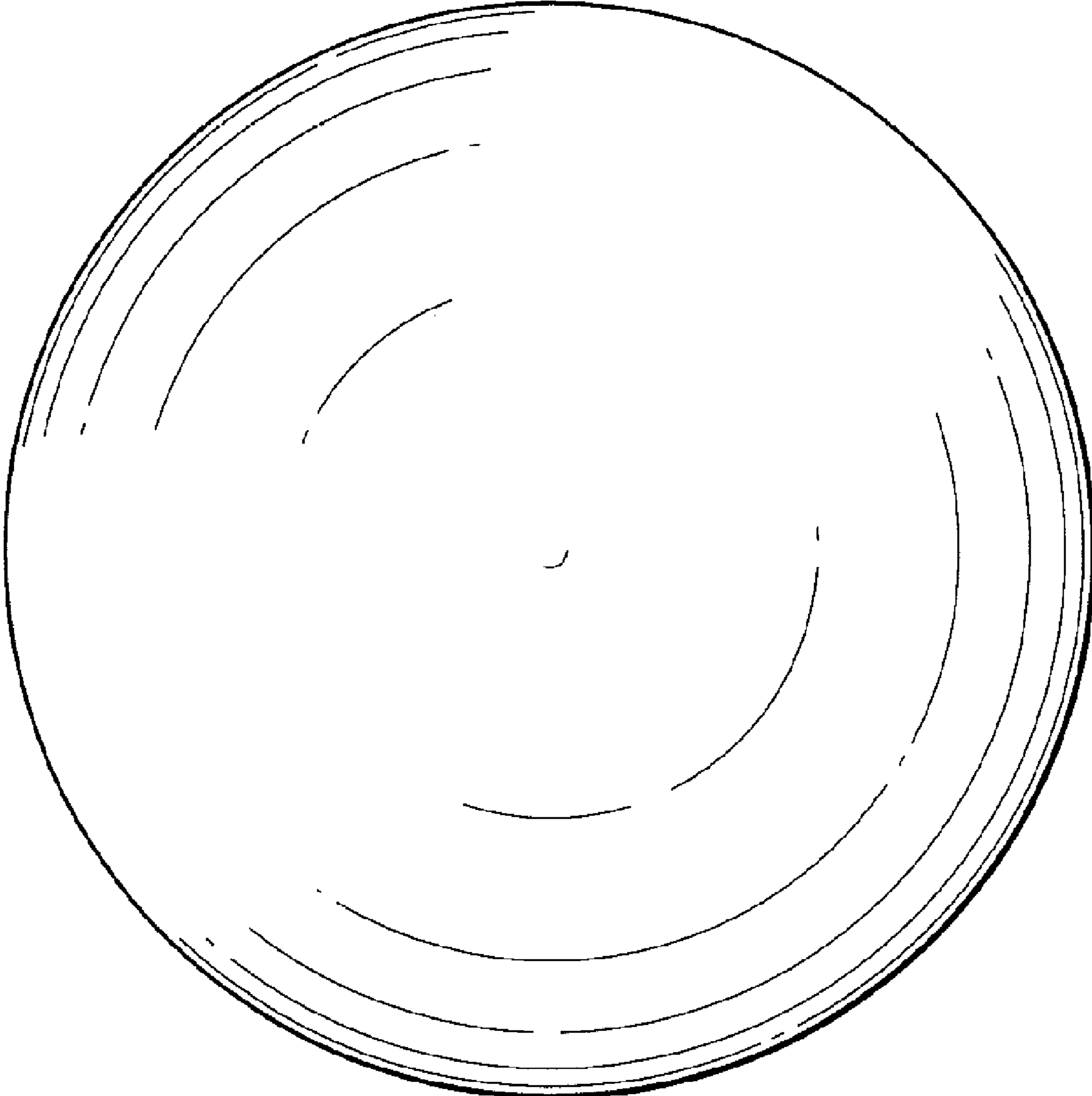


FIG.4

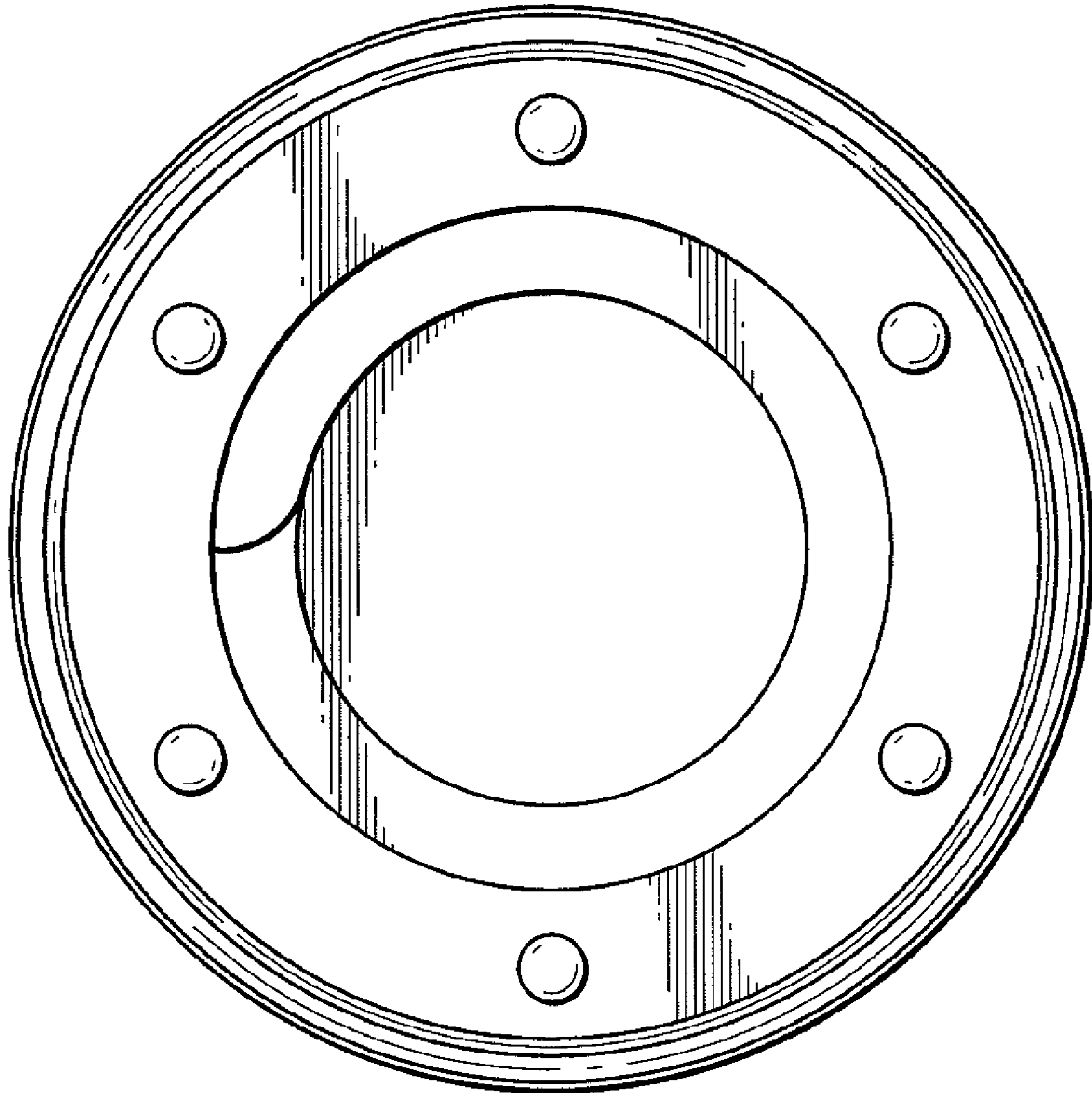


FIG.5

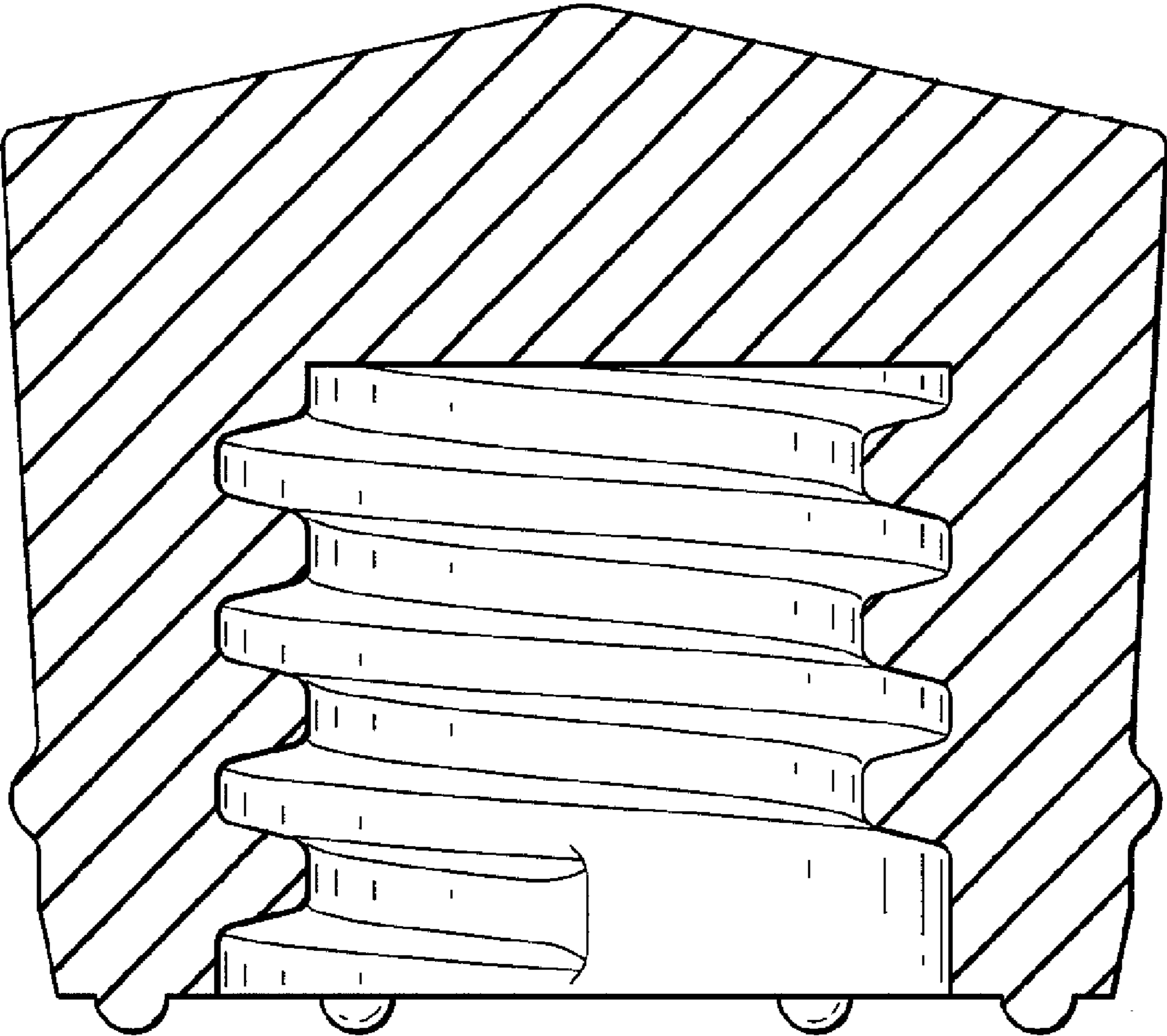


FIG.6