



US00D633201S

(12) **United States Design Patent**
Lee

(10) **Patent No.:** **US D633,201 S**
(45) **Date of Patent:** **** Feb. 22, 2011**

(54) **CONTROL BUTTON OF MEDICINAL LIQUID SUPPLY APPARATUS**

(75) Inventor: **Jong-Woo Lee**, Seoul (KR)

(73) Assignee: **Ace Medical Co., Ltd.**, Goyang-Si (KR)

(**) Term: **14 Years**

(21) Appl. No.: **29/333,556**

(22) Filed: **Mar. 11, 2009**

(30) **Foreign Application Priority Data**

Sep. 11, 2008 (KR) 30-2008-0039727

(51) **LOC (9) Cl.** **24-02**

(52) **U.S. Cl.** **D24/129**

(58) **Field of Classification Search** D10/96,
D10/102, 11, 123, 126, 132; D24/107, 108,
D24/112, 113, 127, 129; 604/10, 30, 246,
604/247

See application file for complete search history.

(56) **References Cited**

U.S. PATENT DOCUMENTS

D139,694	S	*	12/1944	Oelrich	D10/102
D204,560	S	*	4/1966	Pomona	D10/83
3,411,534	A	*	11/1968	Rose	137/595
D214,627	S	*	7/1969	Allison	D13/173
3,901,245	A	*	8/1975	Spitz et al.	604/10
4,197,747	A	*	4/1980	Koehler	73/431
D263,335	S	*	3/1982	Bujan	D24/129
4,795,437	A	*	1/1989	Schulte et al.	604/10
4,802,506	A	*	2/1989	Aslanian	137/556
D333,799	S	*	3/1993	Charriol	D10/126
5,240,035	A	*	8/1993	Aslanian et al.	137/501
5,499,968	A	*	3/1996	Milijasevic et al.	604/30
6,086,572	A	*	7/2000	Johnson et al.	604/503

6,290,681	B1	*	9/2001	Brown	604/246
D480,691	S	*	10/2003	Bone	D13/171
6,701,976	B1	*	3/2004	Toraishi	141/21
6,722,865	B2	*	4/2004	Domroese	417/477.11
6,770,057	B2	*	8/2004	Feliciano	604/250
6,932,110	B2	*	8/2005	Mijers	137/512.4
D541,935	S	*	5/2007	Mijers	D24/129
7,327,273	B2	*	2/2008	Hung et al.	340/619
D585,985	S	*	2/2009	Aaberg et al.	D24/129
7,503,903	B2	*	3/2009	Carlisle et al.	604/67
D604,653	S	*	11/2009	Kume et al.	D10/122
2007/0232990	A1	*	10/2007	Hopkins et al.	604/30
2008/0021415	A1	*	1/2008	Durkin et al.	604/246
2010/0057015	A1	*	3/2010	Lee	604/247

* cited by examiner

Primary Examiner—Elizabeth A Albert

Assistant Examiner—Karen E Eldridge Powers

(74) *Attorney, Agent, or Firm*—Jefferson IP Law, LLP

(57) **CLAIM**

The ornamental design for a control button of medicinal liquid supply apparatus, as shown and described.

DESCRIPTION

FIG. 1 is a top, front and right-side perspective view;

FIG. 2 is a front elevational view thereof;

FIG. 3 is a rear elevational view thereof;

FIG. 4 is a left-side elevational view thereof;

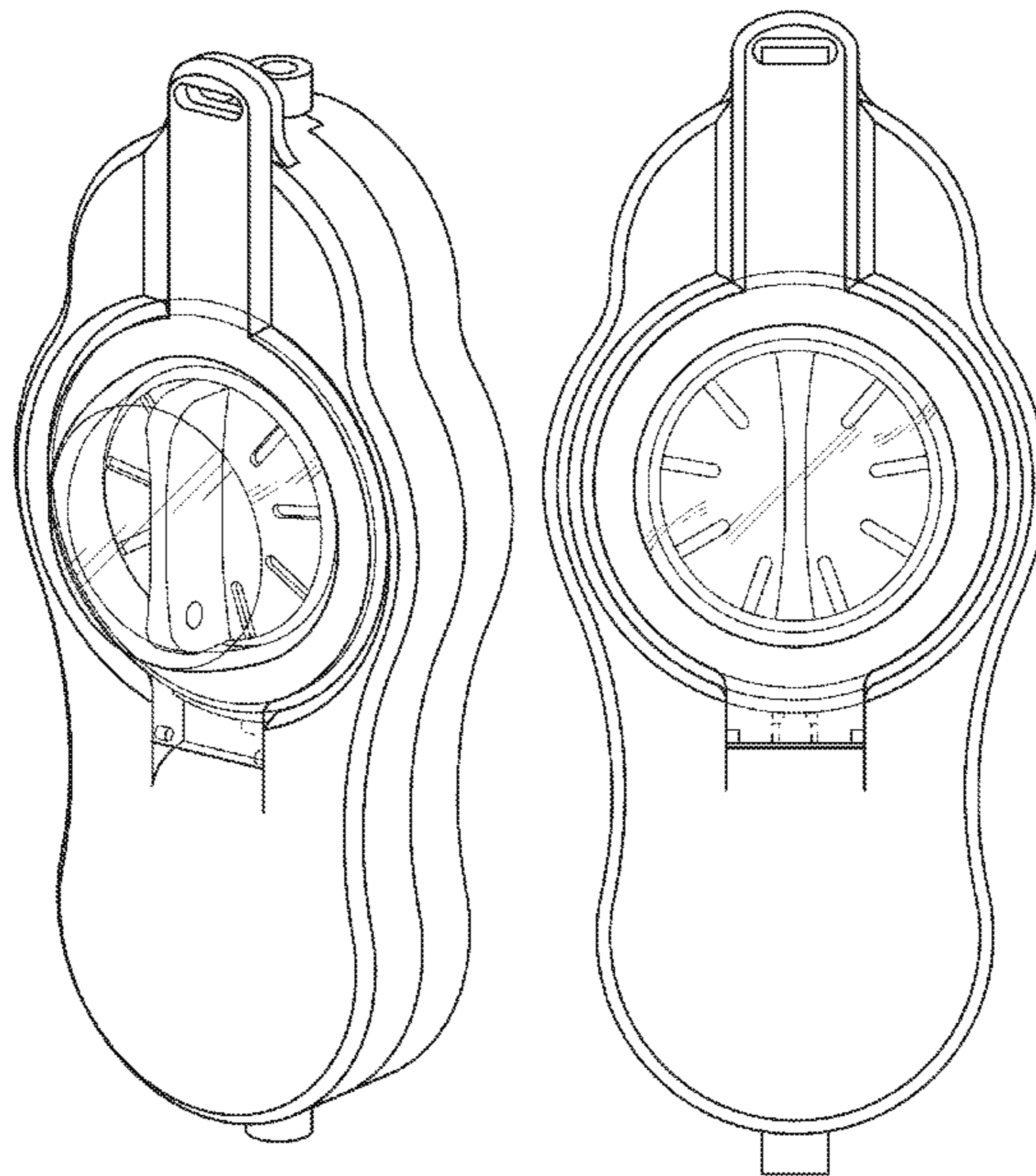
FIG. 5 is a right-side elevational view thereof;

FIG. 6 is a top plan view thereof; and,

FIG. 7 is a bottom plan view thereof.

Features depicted in broken lines form no part of the claimed design.

1 Claim, 4 Drawing Sheets



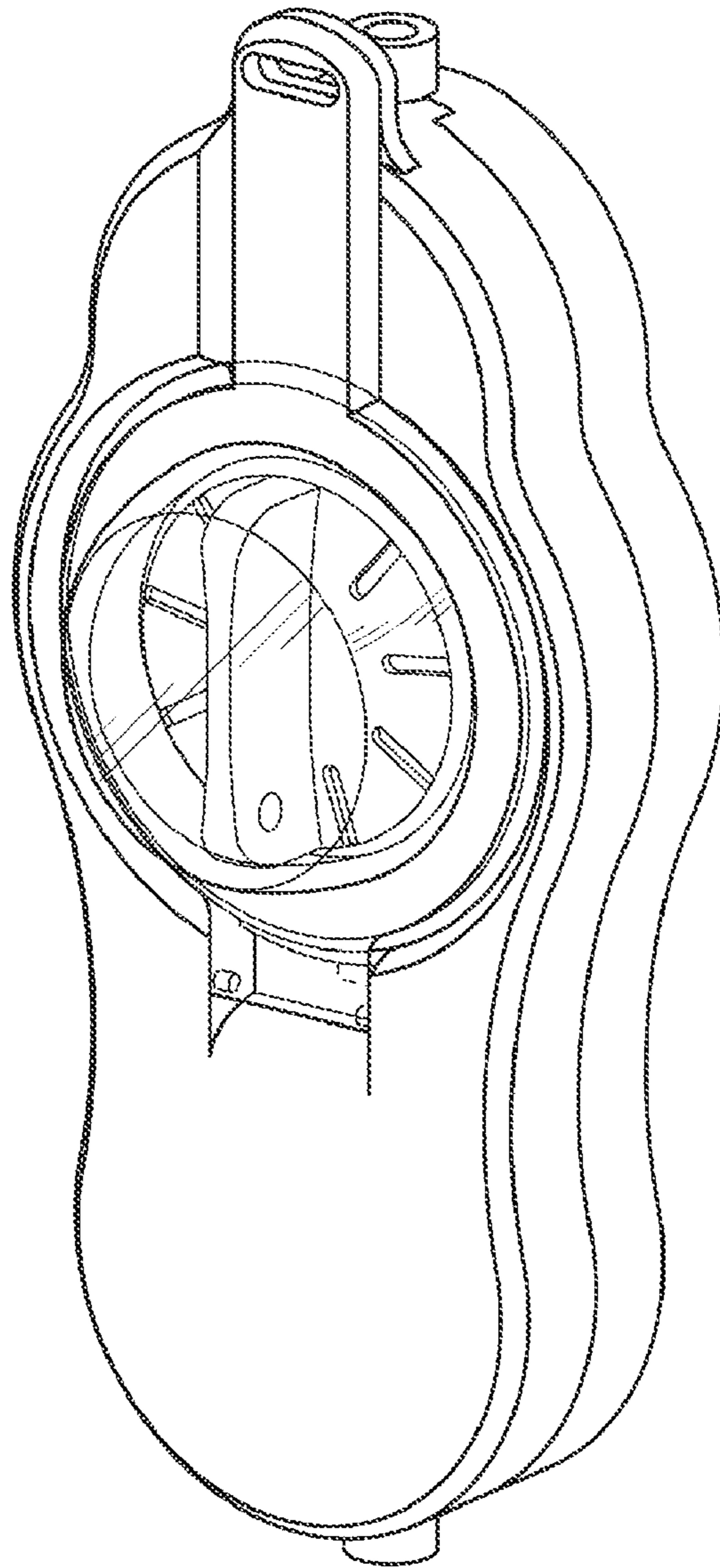


FIG. 1

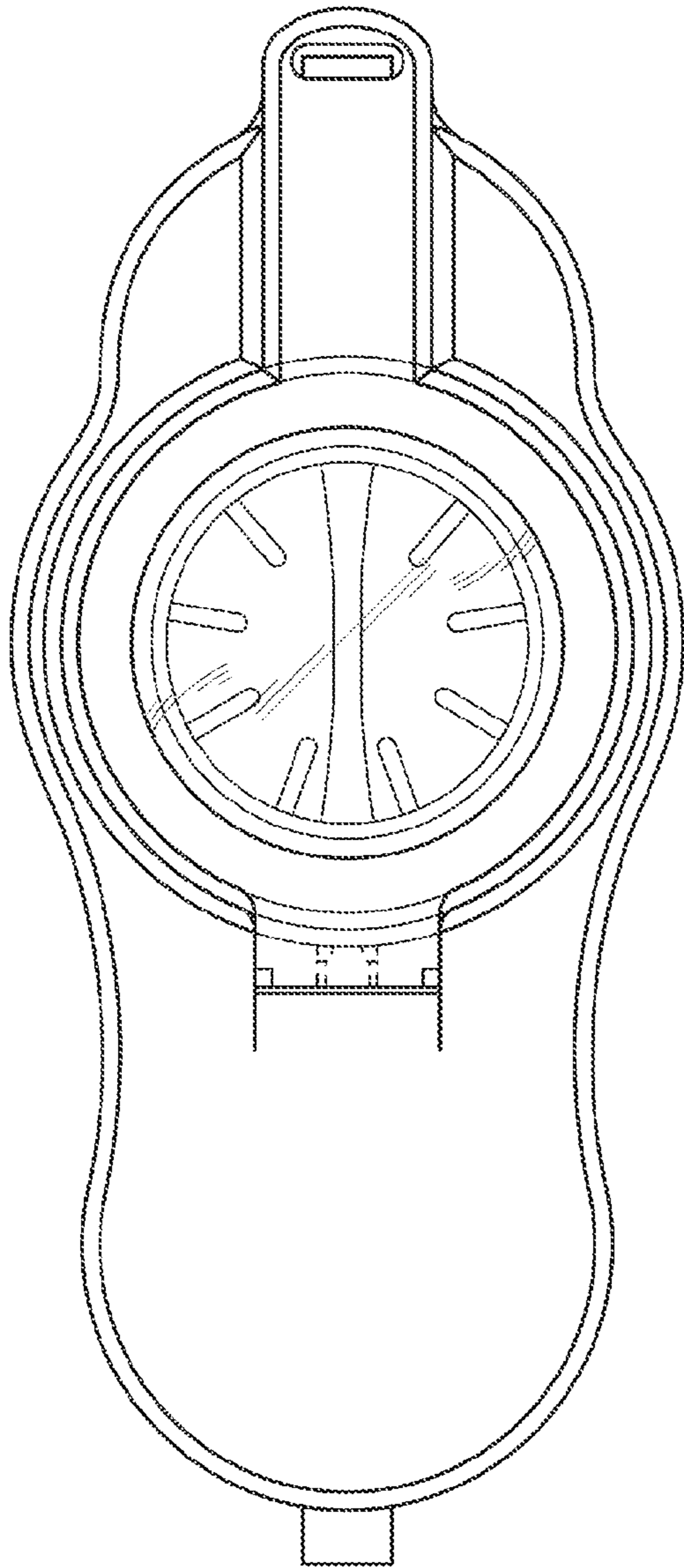


FIG. 2

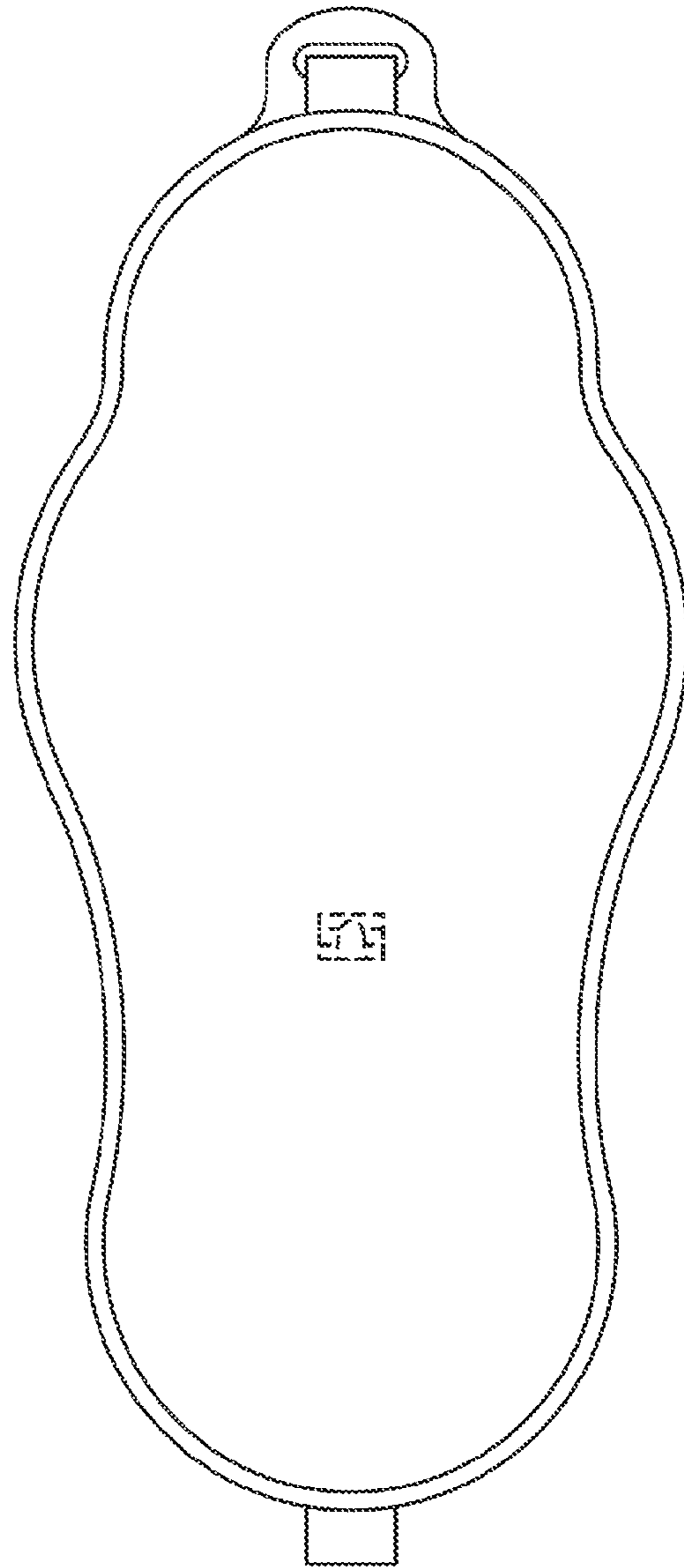


FIG. 3

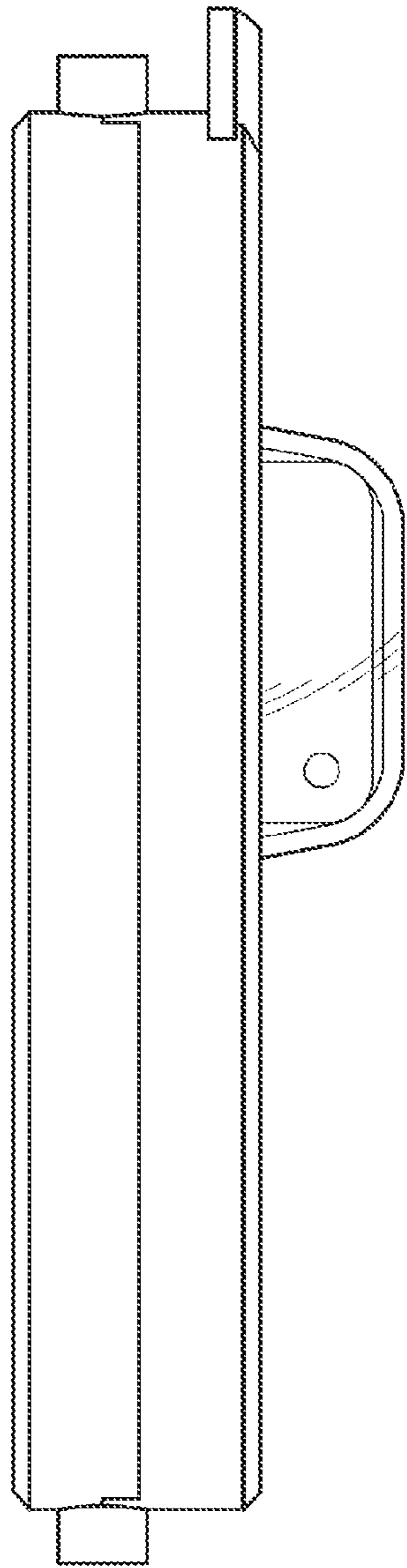


FIG. 4

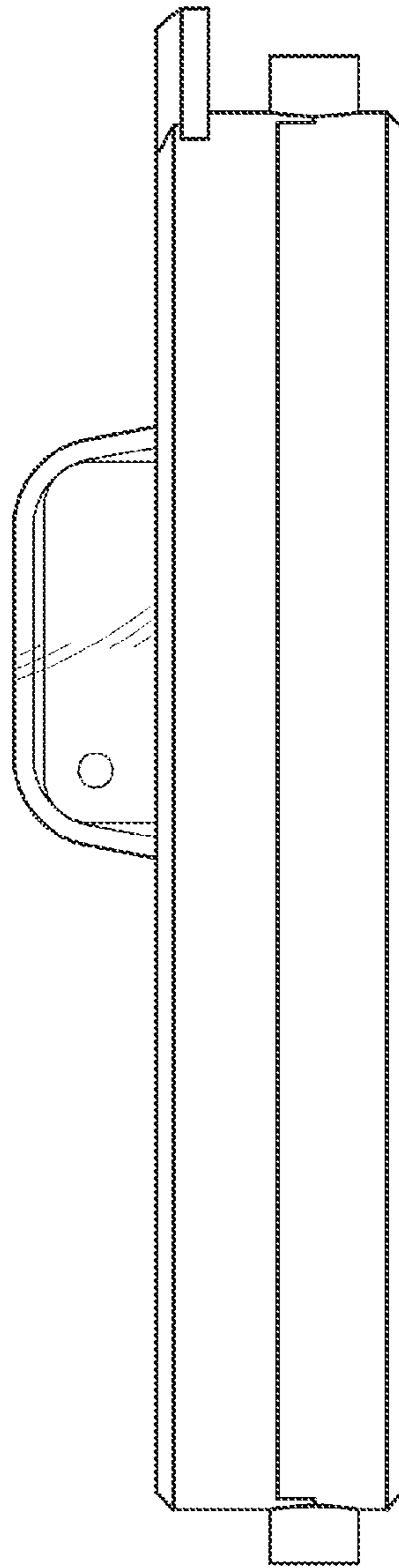


FIG. 5

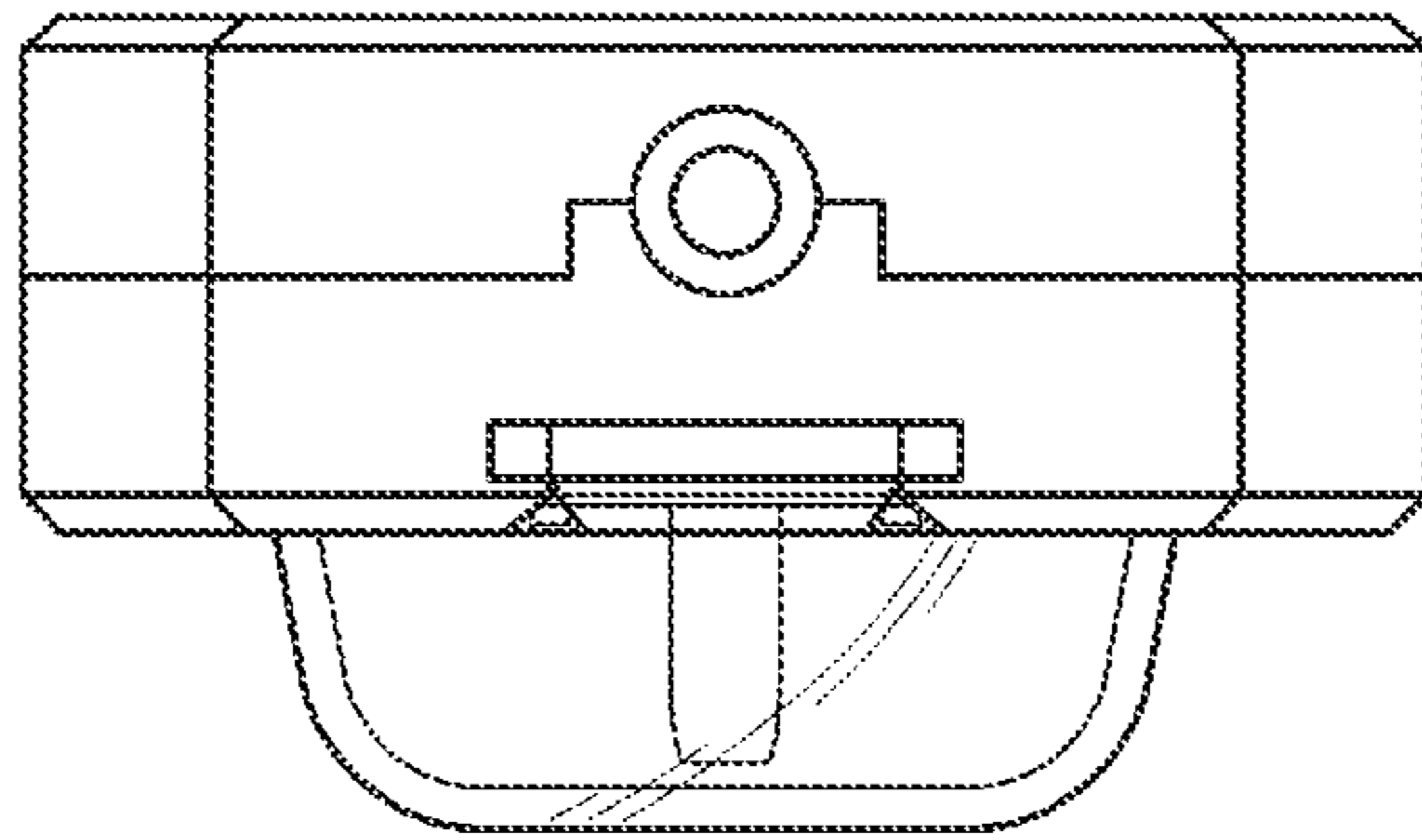


FIG. 6

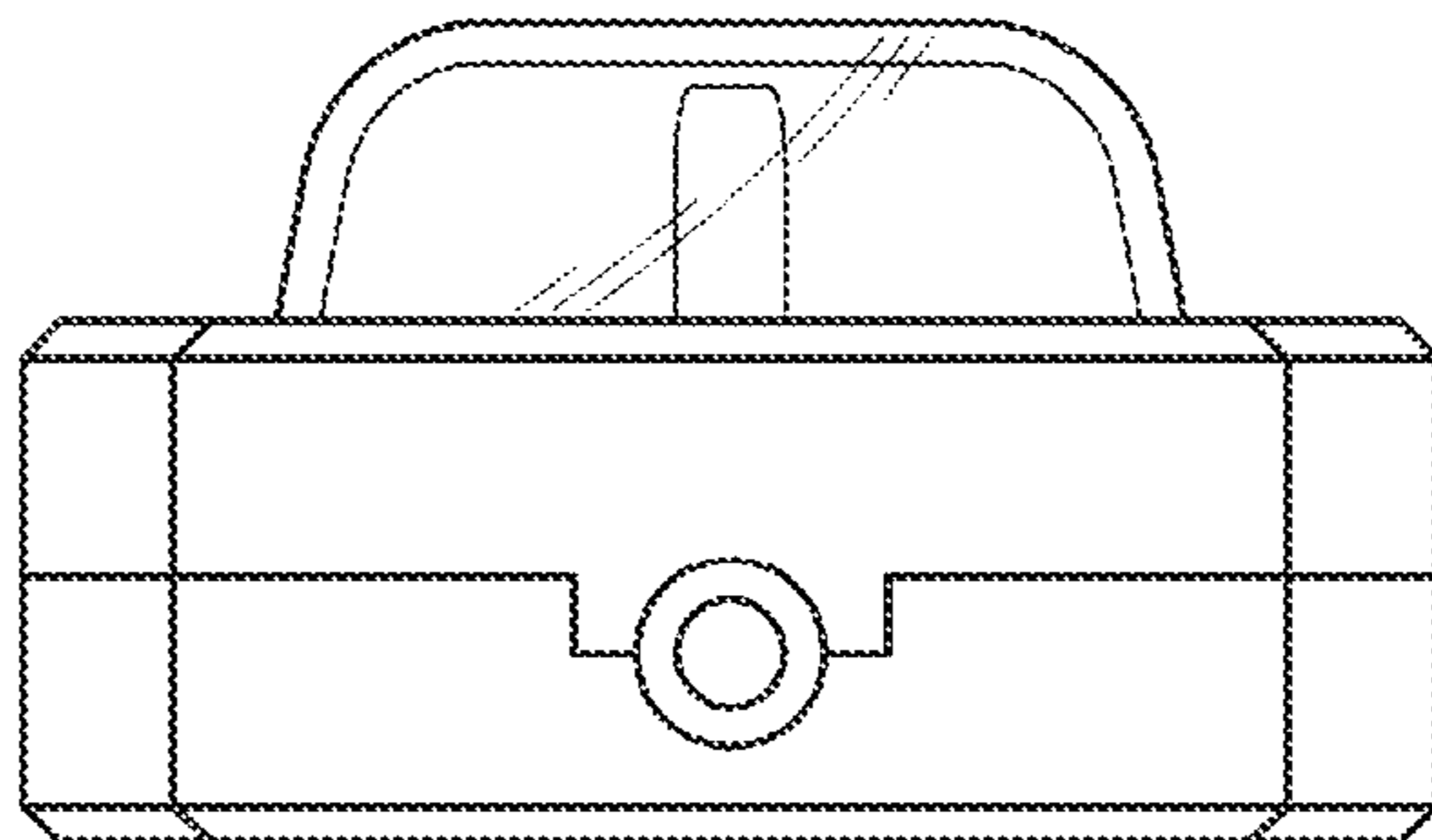


FIG. 7