



US00D633199S

(12) **United States Design Patent**  
**MacKay et al.**

(10) **Patent No.:** **US D633,199 S**

(45) **Date of Patent:** **\*\* Feb. 22, 2011**

(54) **INSERTION TOOL FOR BONE PORTALS**

(75) Inventors: **Timothy Morgan MacKay**, Kitchener (CA); **Gregory Vincent Browne**, Victoria (CA)

(73) Assignee: **Pyng Medical Corp.**, Richmond (CA)

(\*\*) Term: **14 Years**

(21) Appl. No.: **29/344,854**

(22) Filed: **Oct. 5, 2009**

(51) **LOC (9) Cl.** ..... **23-01**

(52) **U.S. Cl.** ..... **D24/127**

(58) **Field of Classification Search** ..... D24/127-130;  
606/79-80, 506, 180, 174, 272; 604/157,  
604/140, 117, 187, 59, 164.01, 175

See application file for complete search history.

(56) **References Cited**

U.S. PATENT DOCUMENTS

4,969,870	A *	11/1990	Kramer et al.	604/506
5,312,364	A *	5/1994	Jacobs	604/180
5,601,559	A *	2/1997	Melker et al.	606/79
5,779,708	A *	7/1998	Wu	606/80
5,817,052	A *	10/1998	Johnson et al.	604/506
5,868,711	A *	2/1999	Kramer et al.	604/136
6,458,117	B1 *	10/2002	Pollins, Sr.	604/523

7,135,031	B2 *	11/2006	Flint	606/185
7,530,964	B2 *	5/2009	Lavi et al.	604/110
7,736,344	B2 *	6/2010	Moberg et al.	604/232
2005/0033235	A1 *	2/2005	Flint	604/157
2007/0270775	A1 *	11/2007	Miller et al.	604/506
2008/0208136	A1 *	8/2008	Findlay et al.	604/187
2010/0004626	A1 *	1/2010	Miller et al.	604/506

\* cited by examiner

*Primary Examiner*—T. Chase Nelson

*Assistant Examiner*—Eric L Goodman

(74) *Attorney, Agent, or Firm*—Oyen Wiggs Green & Mutala LLP

(57) **CLAIM**

The ornamental design for an insertion tool for bone portals, as shown and described.

**DESCRIPTION**

FIG. 1 is bottom view of the design;

FIG. 2 is a front view thereof;

FIG. 3 is rear perspective view thereof;

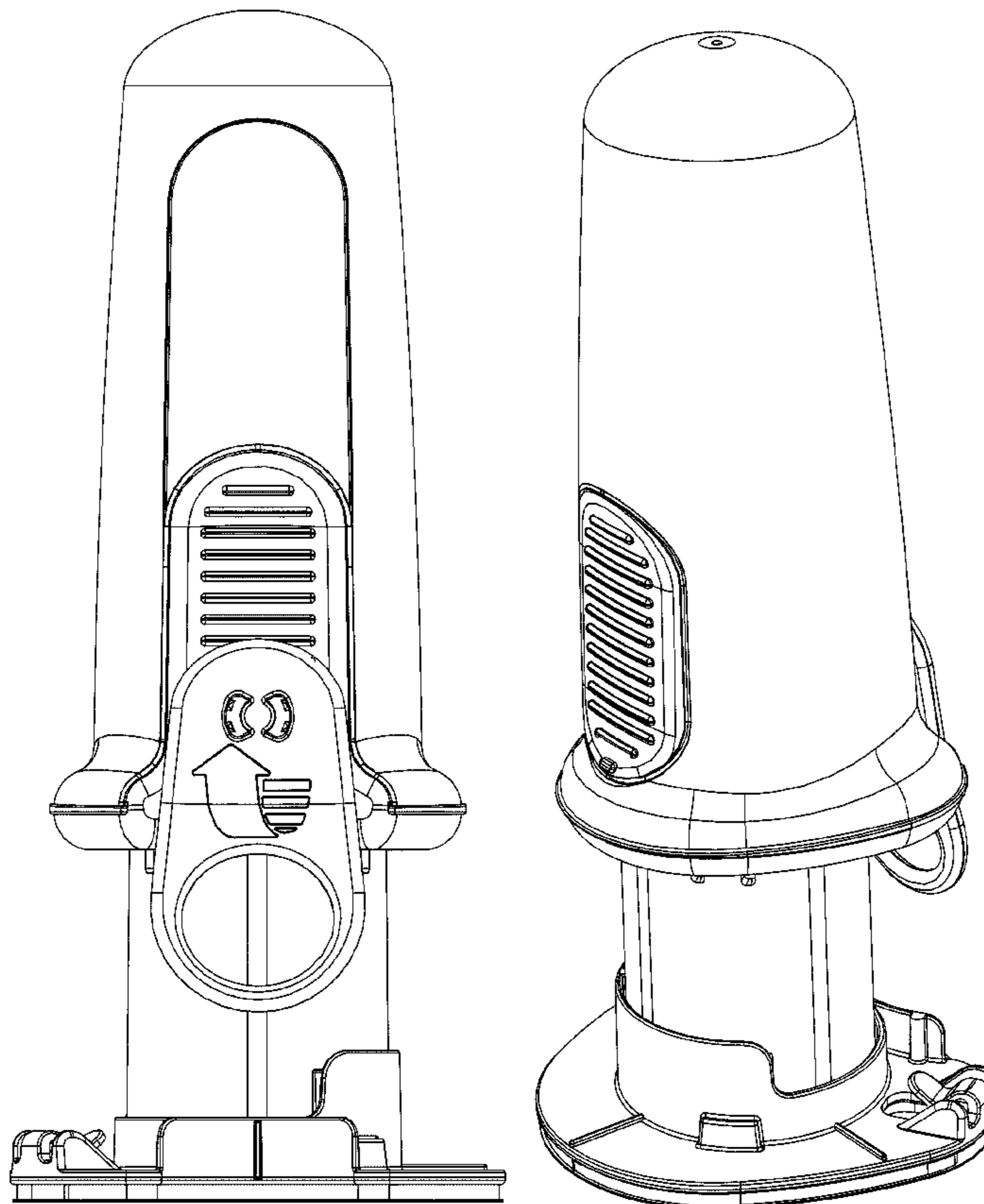
FIG. 4 is a right side view thereof;

FIG. 5 is top view thereof;

FIG. 6 is a left side view thereof; and,

FIG. 7 is a back side view thereof.

**1 Claim, 7 Drawing Sheets**



**FIGURE 1**

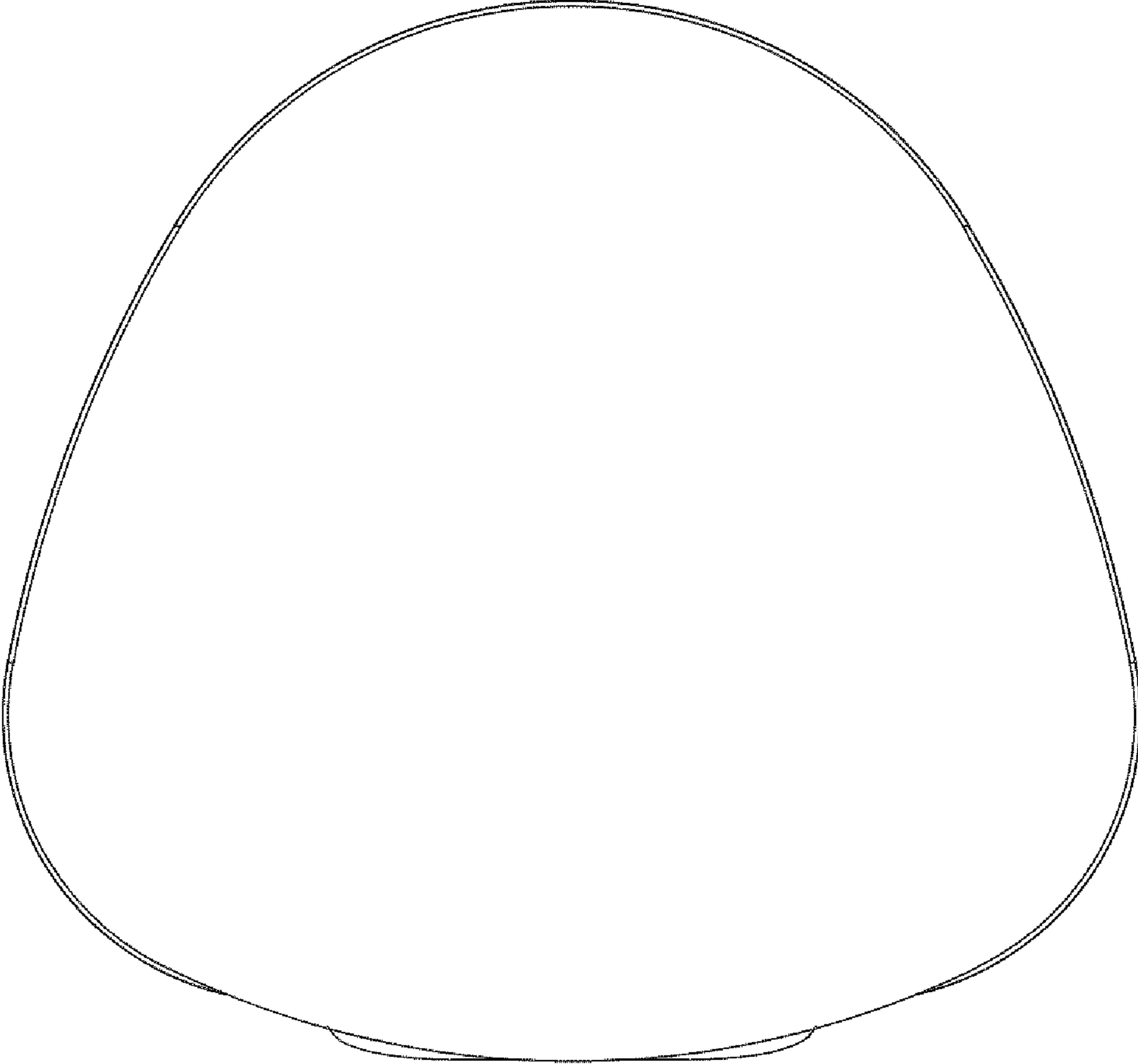


FIGURE 2

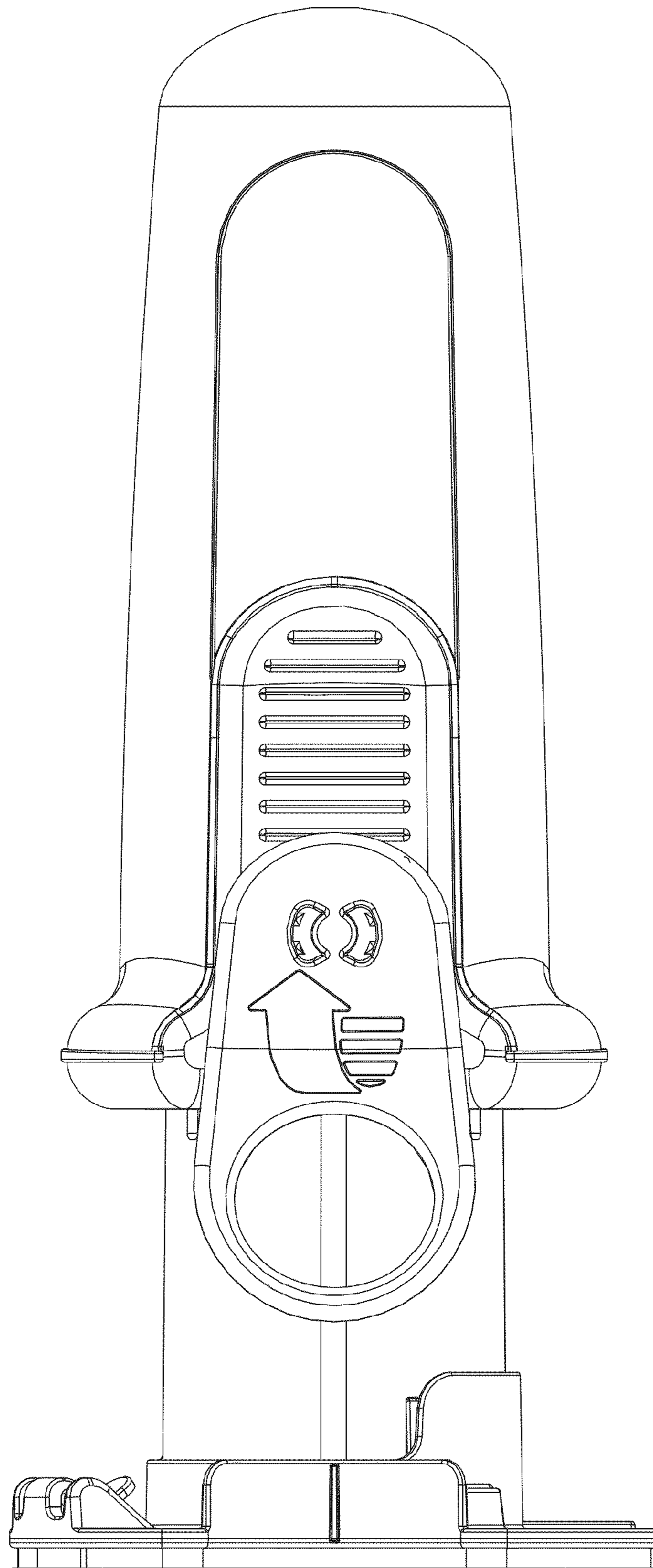


FIGURE 3

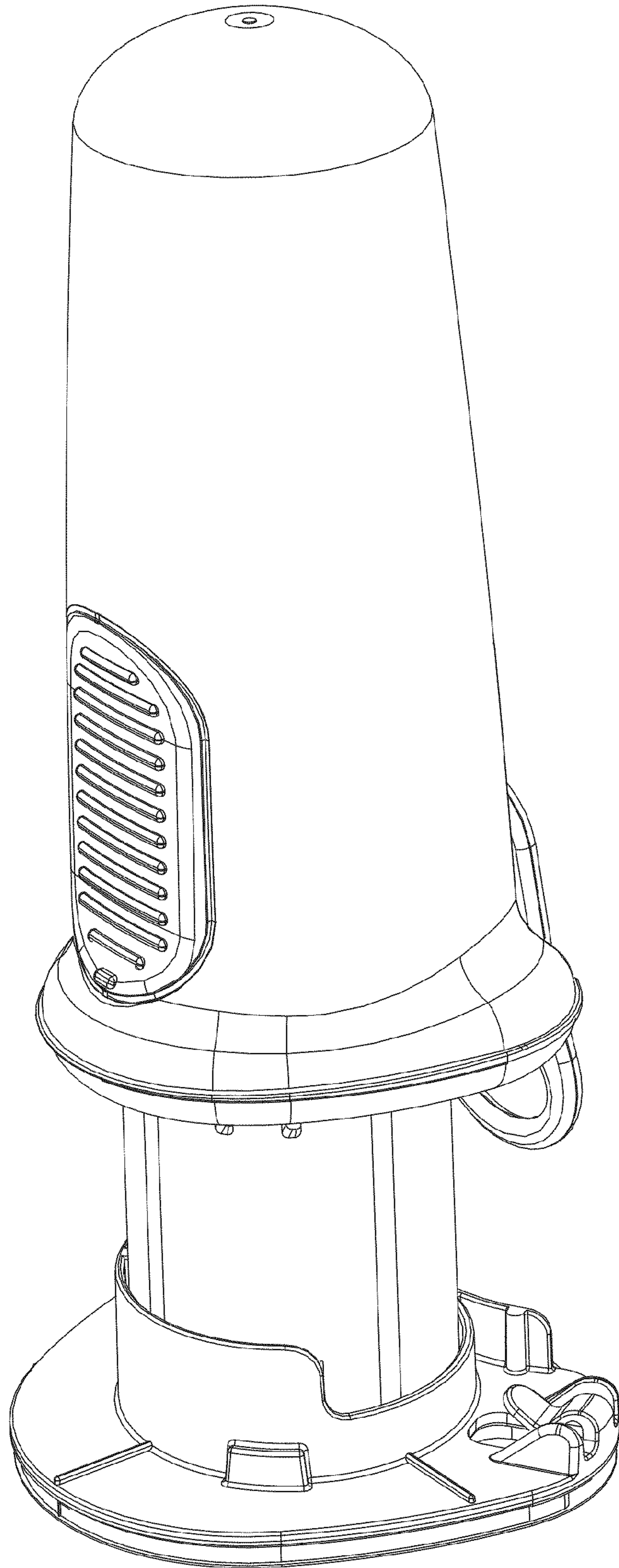
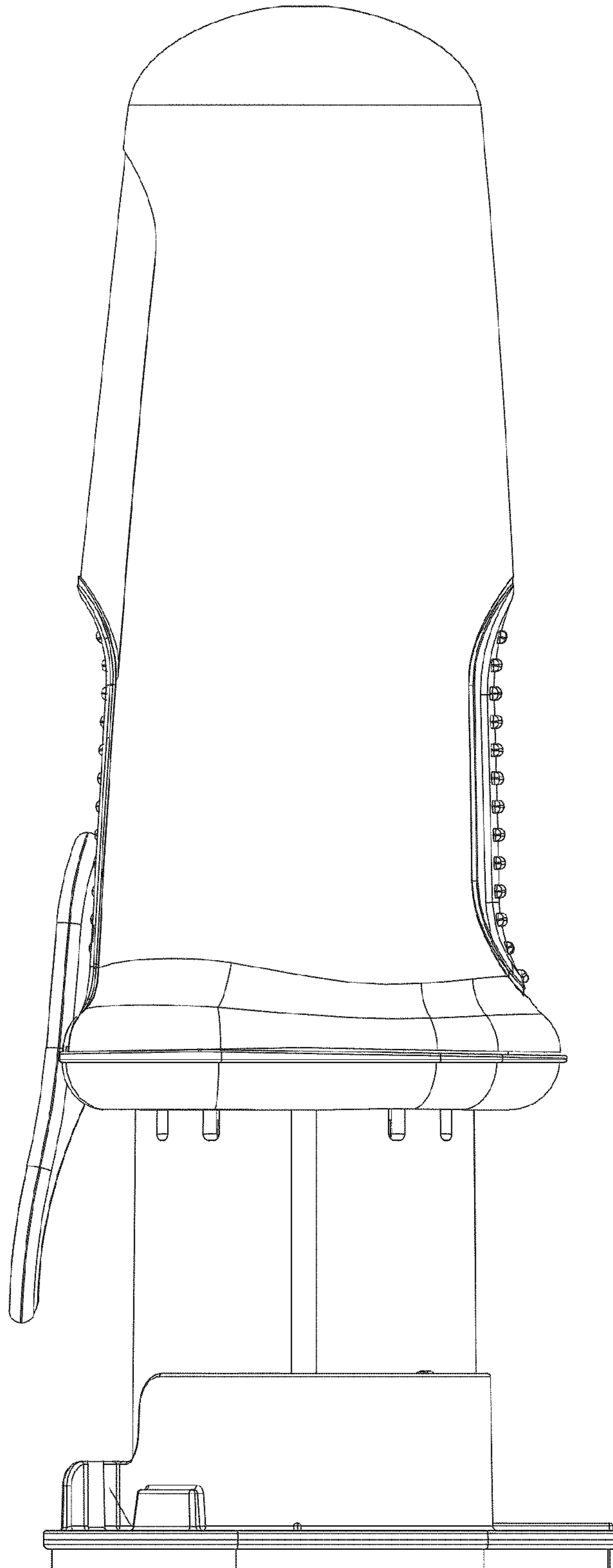


FIGURE 4



**FIGURE 5**

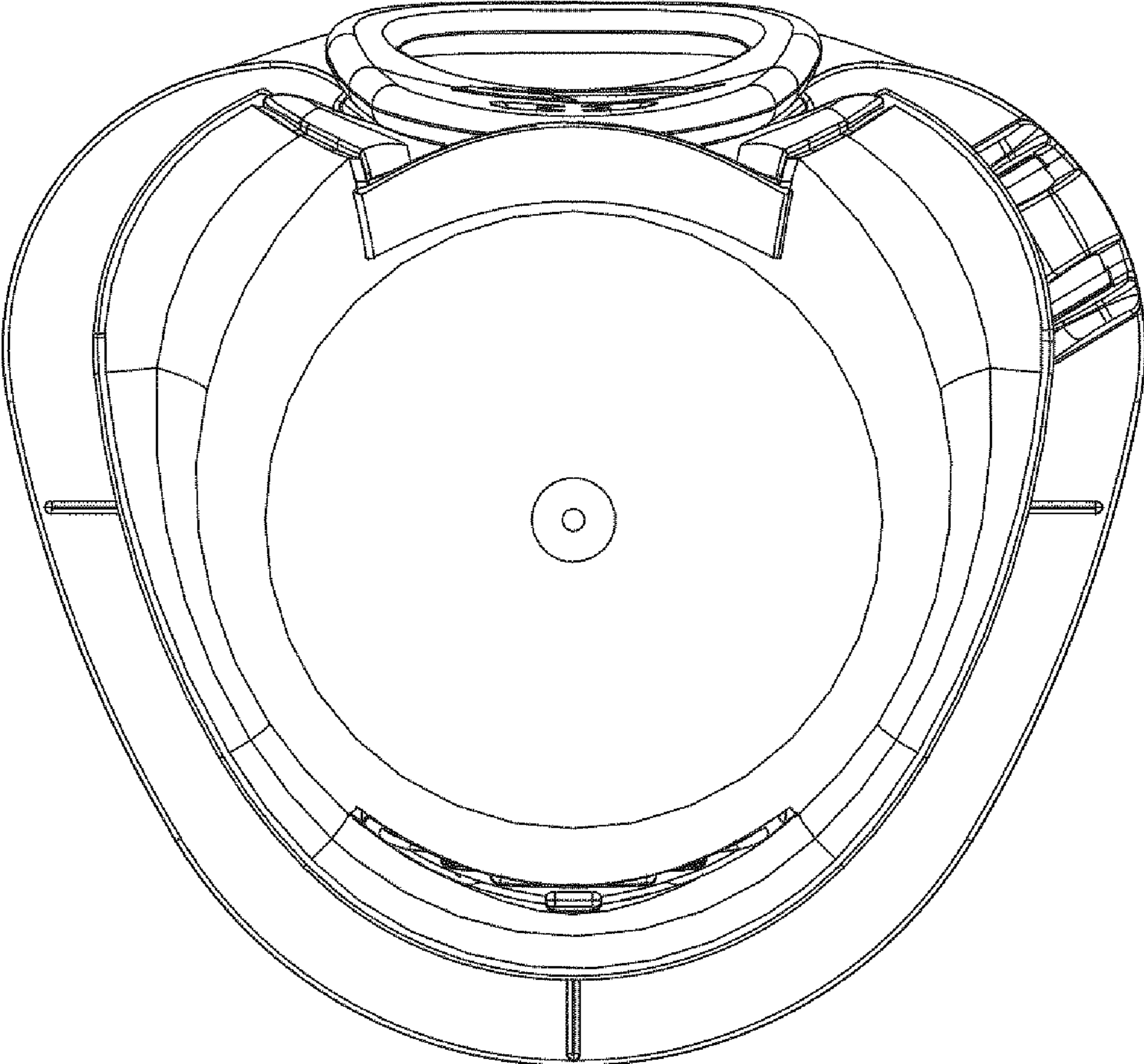


FIGURE 6

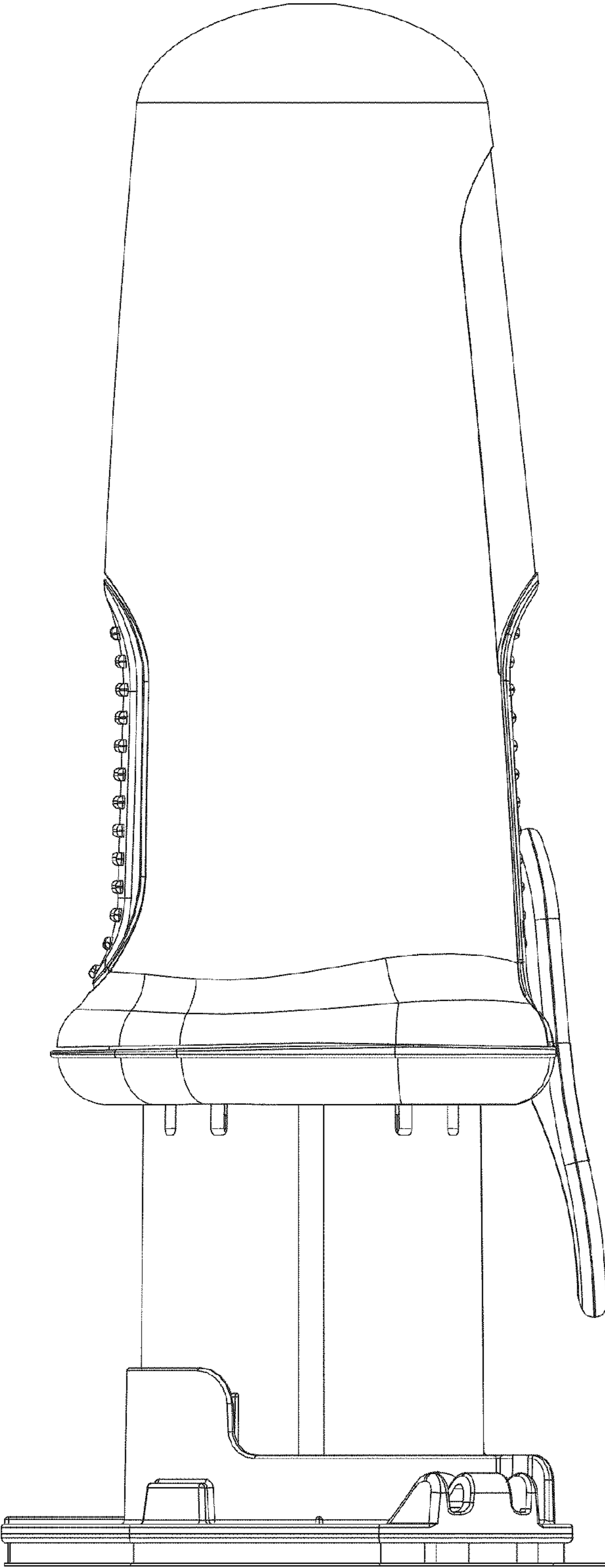


FIGURE 7

