



US00D633196S

(12) **United States Design Patent**
Falco

(10) **Patent No.:** **US D633,196 S**
(45) **Date of Patent:** **** Feb. 22, 2011**

(54) **EARPLUG TIP**

(75) Inventor: **Robert Nicolo Falco**, Indianapolis, IN (US)

(73) Assignee: **3M Innovative Properties Company**, St. Paul, MN (US)

(**) Term: **14 Years**

(21) Appl. No.: **29/353,986**

(22) Filed: **Jan. 18, 2010**

Related U.S. Application Data

(62) Division of application No. 29/337,625, filed on May 27, 2009, now Pat. No. Des. 622,837.

(51) **LOC (9) Cl.** **24-04**

(52) **U.S. Cl.** **D24/106**

(58) **Field of Classification Search** D24/106;
181/130, 135, 128-129; 128/864-865; D9/424,
D9/428, 452, 531, 537-538, 541, 564, 738,
D9/747, 773

See application file for complete search history.

(56) **References Cited**

U.S. PATENT DOCUMENTS

- D124,880 S 1/1941 Teunisz
- 3,005,564 A 10/1961 Weishselbaum
- 3,020,333 A * 2/1962 Bangert et al. 174/94 R
- 3,850,361 A 11/1974 Day et al.
- D237,853 S 12/1975 Katz
- D247,160 S 2/1978 LaCroce et al.
- D248,873 S 8/1978 Raitto
- D254,446 S 3/1980 Raitto
- D265,129 S 6/1982 Leight
- D267,429 S 12/1982 Harada
- D267,512 S 1/1983 Carlsson et al.
- 4,375,016 A 2/1983 Harada
- 4,576,430 A * 3/1986 Dufresne 439/429
- D321,128 S 10/1991 DeBose, Jr.
- D372,070 S 7/1996 Zak et al.
- 5,564,431 A 10/1996 Seward
- D398,531 S 9/1998 De Vries

- D412,118 S 7/1999 Rodea
- D435,330 S 12/2000 Soergel
- 6,226,865 B1 * 5/2001 Tanikawa et al. 29/872
- 6,234,812 B1 * 5/2001 Ivers et al. 439/131
- D444,141 S 6/2001 Koss et al.

(Continued)

FOREIGN PATENT DOCUMENTS

CA 18732 8/1952

(Continued)

Primary Examiner—Elizabeth A Albert
Assistant Examiner—Kelley A Donnelly
(74) *Attorney, Agent, or Firm*—Karl G. Hanson

(57) **CLAIM**

I claim, the ornamental design for an earplug tip, as shown and described.

DESCRIPTION

FIG. 1 is a perspective view of an earplug tip, showing my new design,

FIG. 2 is a first side elevation view thereof, the opposite side being a mirror image thereof;

FIG. 3 is a second side elevation view thereof, the opposite side being a mirror image thereof;

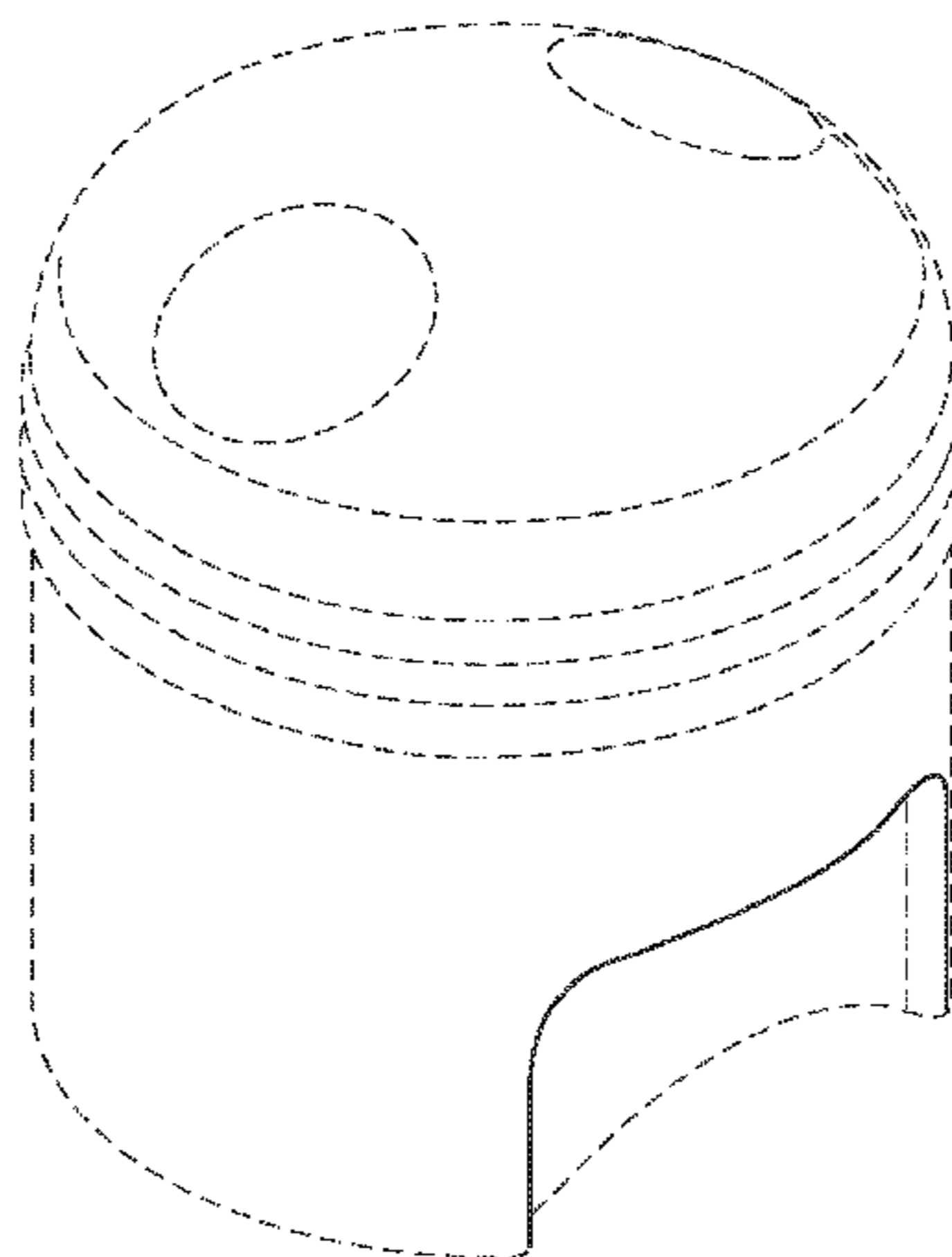
FIG. 4 is a top plan view thereof; and,

FIG. 5 is a bottom plan view thereof.

The broken lines are for the purpose of illustrating the environment of the article only and form no part of the claimed design.

The claimed design is directed only to the single solid edge line on either side of the earplug tip, and not to any of the surfaces on either side of that line.

1 Claim, 4 Drawing Sheets



US D633,196 S

Page 2

U.S. PATENT DOCUMENTS

6,252,164 B1 * 6/2001 Wise 174/50
D445,694 S * 7/2001 Gans D9/538
D451,401 S * 12/2001 Silvers et al. D9/538
6,439,413 B1 * 8/2002 Prevot et al. 215/381
D462,185 S 9/2002 Sandy
6,457,969 B1 10/2002 Khosla
D467,363 S 12/2002 West
D489,007 S * 4/2004 Hall et al. D9/550
D518,728 S 4/2006 Frantz
D521,637 S 5/2006 Yang
D523,345 S * 6/2006 Kamineni D9/537
D524,655 S 7/2006 Baez
D526,564 S 8/2006 Slavin et al.
D528,213 S 9/2006 Darley et al.
D531,586 S 11/2006 Poulet
D542,656 S * 5/2007 Szczesniak D9/453
D568,743 S * 5/2008 Kunesh et al. D9/445
D572,206 S 7/2008 Ikeda et al.
D578,394 S * 10/2008 Shurtleff et al. D9/516
D581,286 S * 11/2008 White D9/550
D585,558 S * 1/2009 Feeley et al. D24/199

D587,378 S 2/2009 Powers et al.
D590,055 S 4/2009 Butler et al.
D592,300 S 5/2009 Yeh
D595,268 S 6/2009 Kolton
D595,837 S * 7/2009 Benner D24/106
D599,829 S 9/2009 Jorgensen et al.
D604,611 S * 11/2009 Ames et al. D9/453
D606,050 S * 12/2009 Nousiainen D14/223
D608,767 S * 1/2010 Liner D14/225
D611,821 S * 3/2010 Gabrielsson et al. D9/517
D611,835 S * 3/2010 Chou Huang D9/631
D612,249 S * 3/2010 Wurster et al. D9/538
D616,747 S * 6/2010 Stull et al. D9/452
D617,191 S * 6/2010 Stull et al. D9/452
D620,366 S * 7/2010 Bruscha et al. D9/529
D621,271 S * 8/2010 Soni D9/539
D622,837 S * 8/2010 Falco D24/106

FOREIGN PATENT DOCUMENTS

EM 000568217 9/2006

* cited by examiner

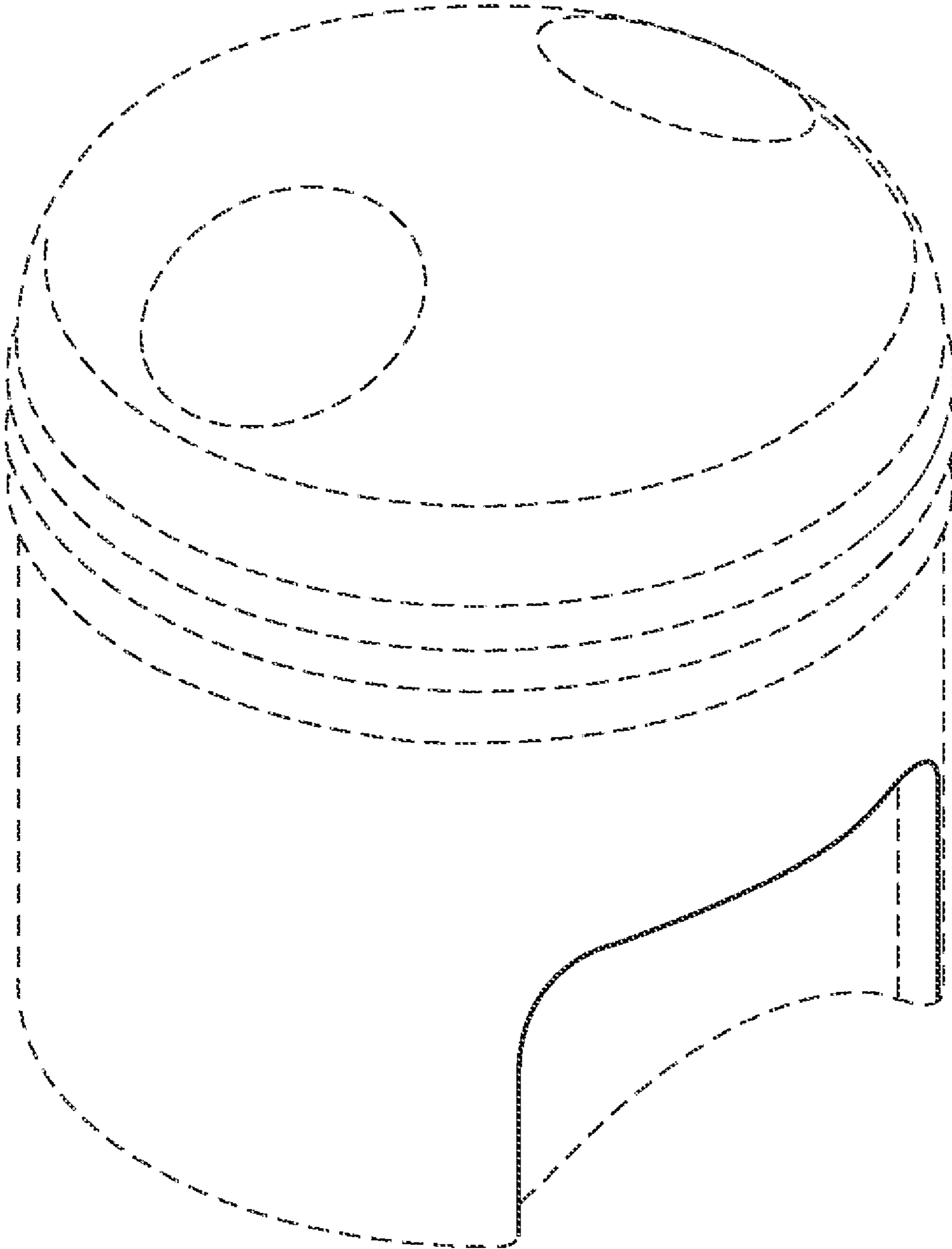


Fig. 1

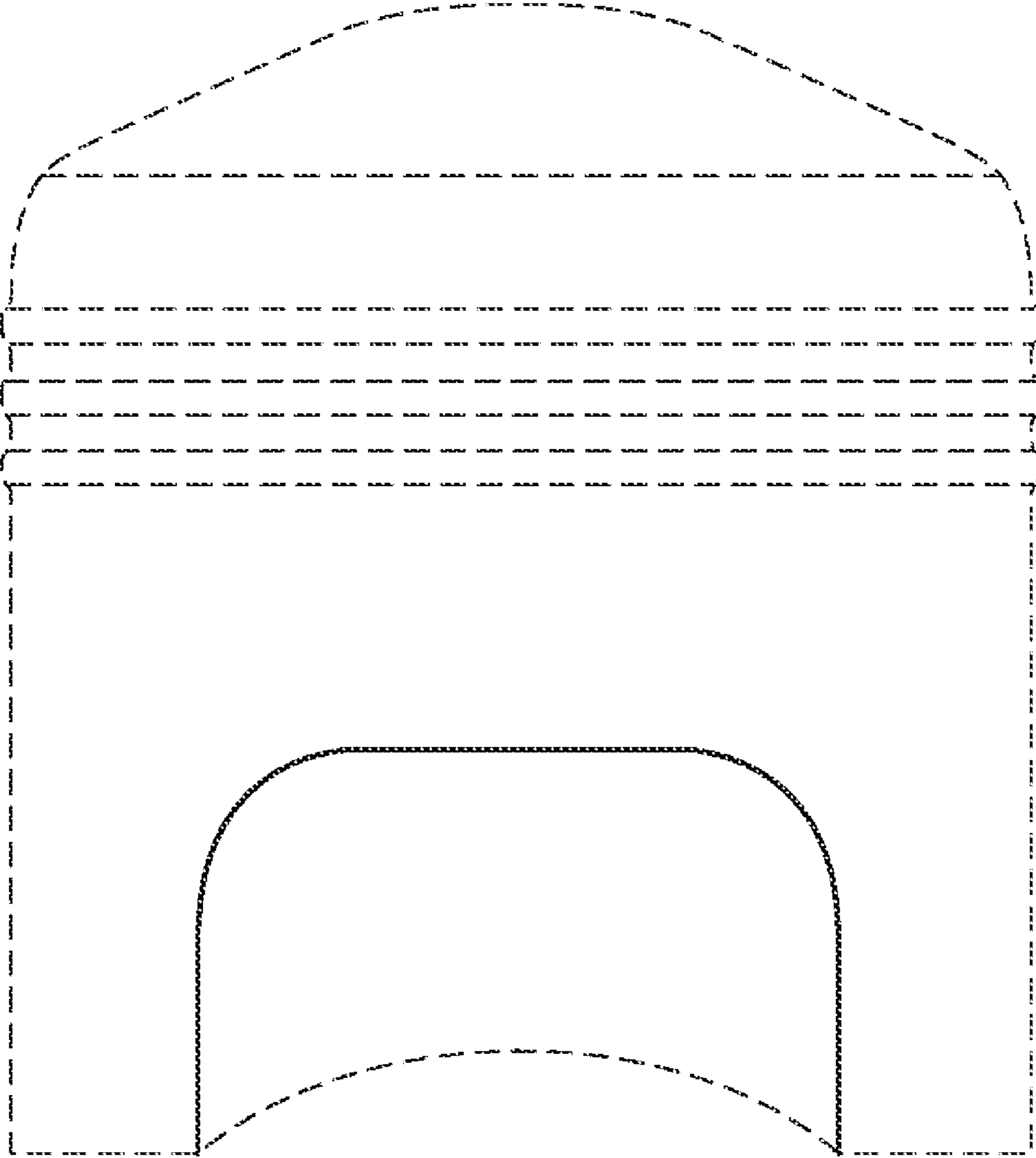


Fig. 2

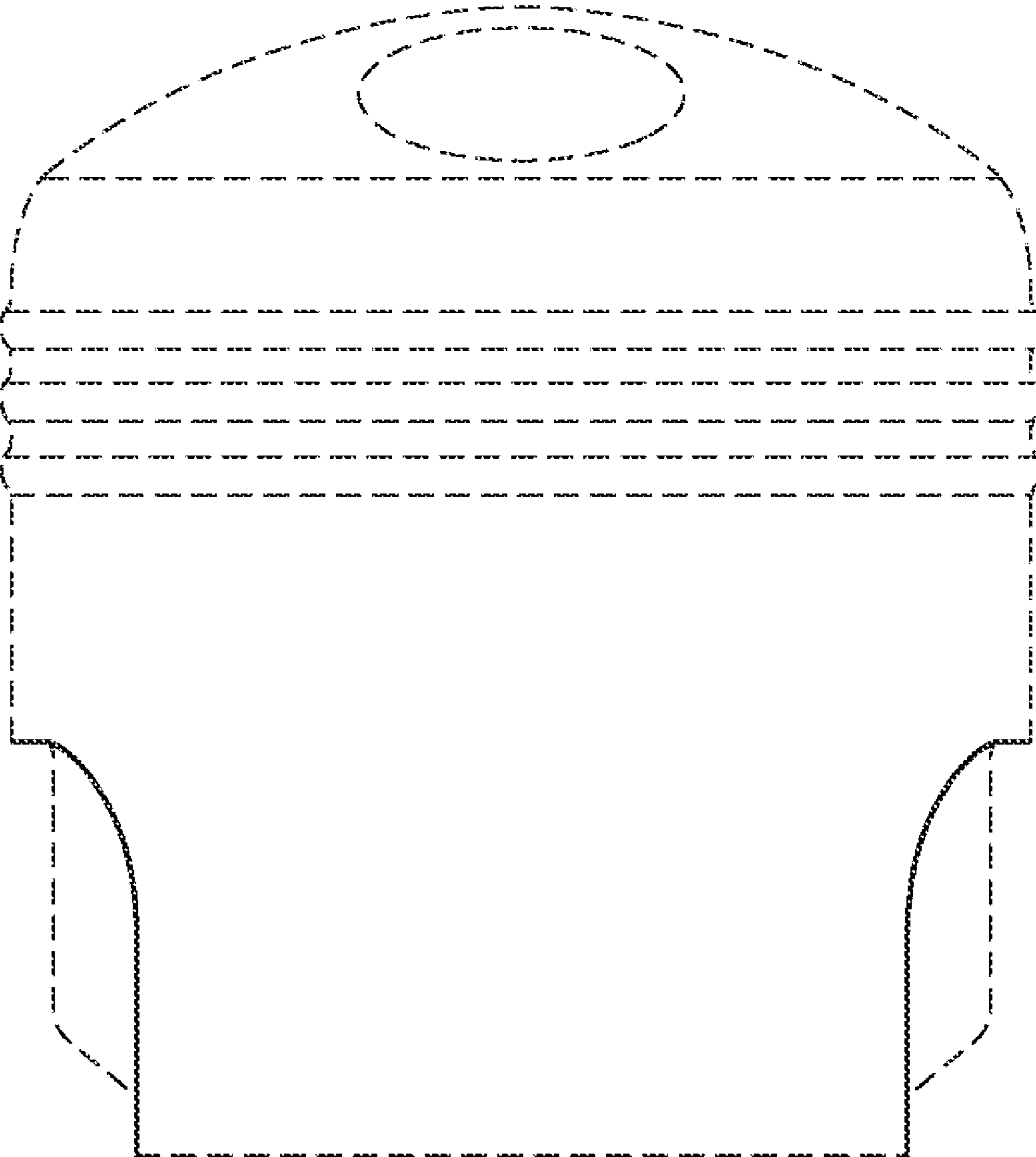


Fig. 3

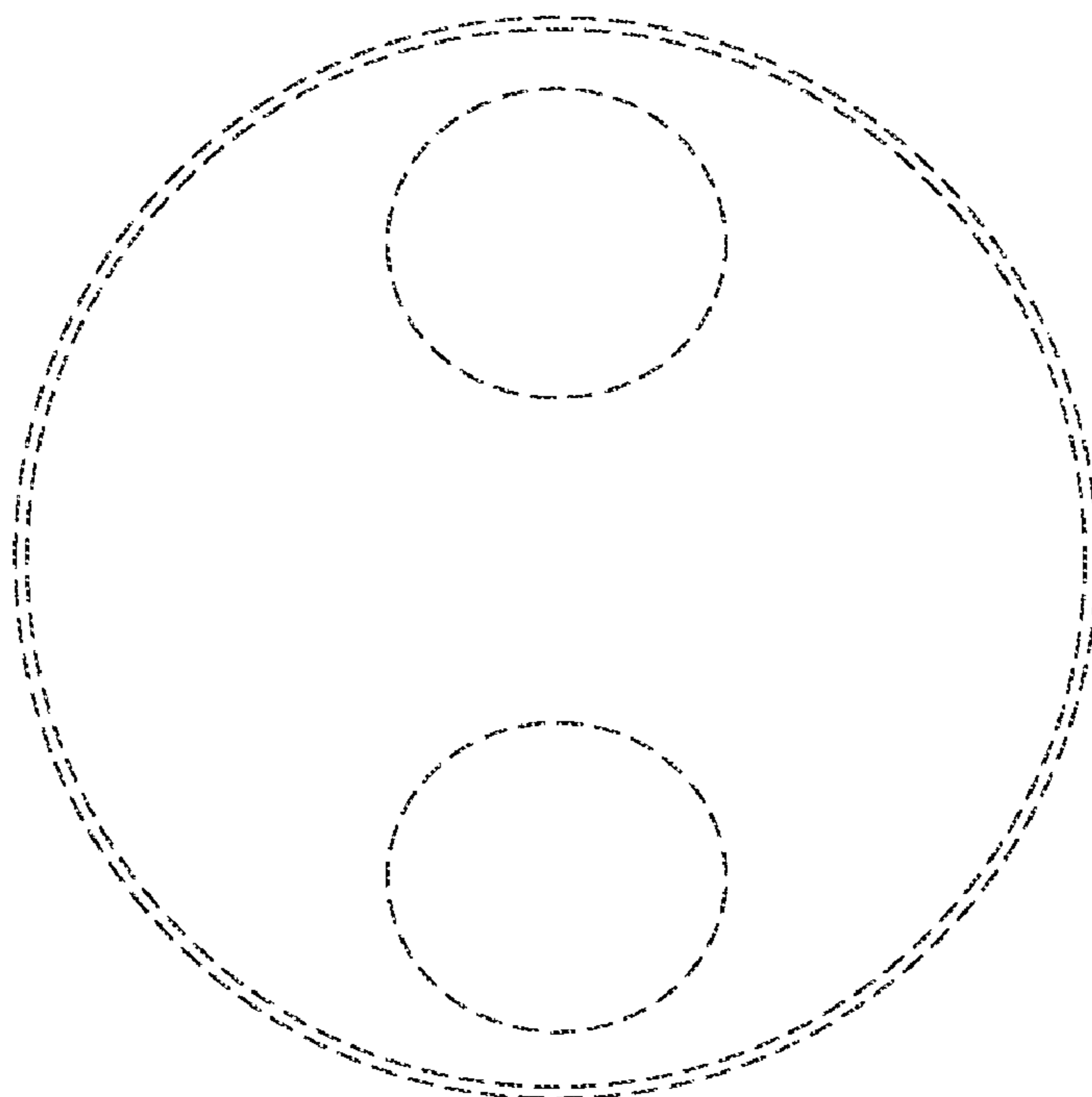


Fig. 4

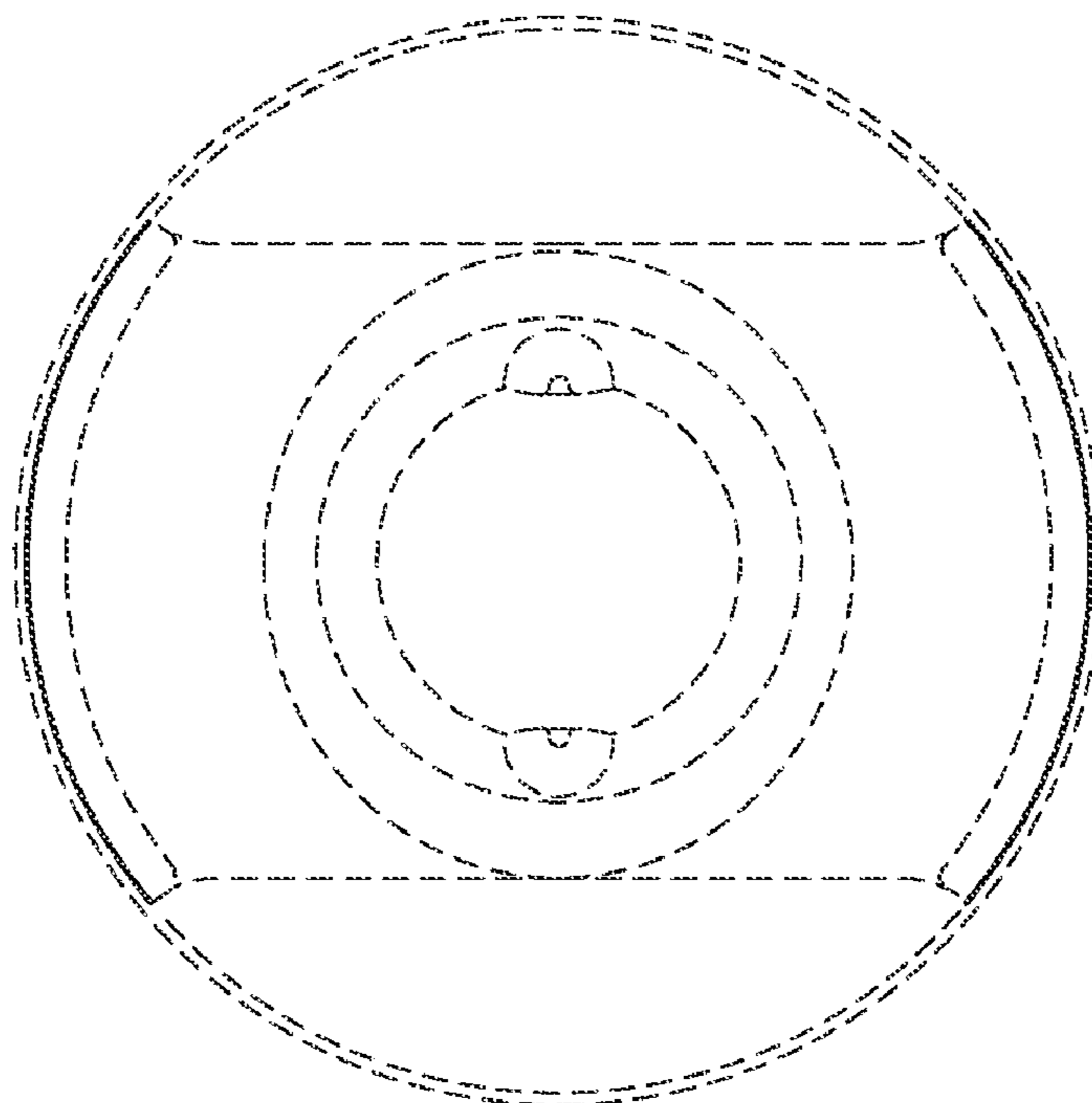


Fig. 5