



US00D633195S

(12) **United States Design Patent**
Stagg

(10) **Patent No.:** **US D633,195 S**

(45) **Date of Patent:** **** Feb. 22, 2011**

(54) **FAN BLADE**

Primary Examiner—Lisa P Lichtenstein

(75) Inventor: **Jonathan B. Stagg**, Bellevue, MI (US)

(57) **CLAIM**

(73) Assignee: **BorgWarner Inc.**, Auburn Hills, MI (US)

The ornamental design for a fan blade, as shown and described.

(**) Term: **14 Years**

(21) Appl. No.: **29/361,373**

DESCRIPTION

(22) Filed: **May 10, 2010**

(51) **LOC (9) Cl.** **23-04**

(52) **U.S. Cl.** **D23/413**

(58) **Field of Classification Search** D23/377,
D23/379, 385, 411, 413; 416/196 R, 236 R,
416/236 A

FIG. 1 is a perspective view of the fan blade.

FIG. 2 is an enlarged front view of the fan blade.

FIG. 3 is an enlarged back view of the fan blade.

FIG. 4 is a top view of the fan blade.

FIG. 5 is a bottom view of the fan blade.

FIG. 6 is a left side view of the fan blade; and,

FIG. 7 is a right side view of the fan blade.

See application file for complete search history.

The broken line showing of the fan blade shown in use and the broken line showing of portions of the fan blade is included for the purpose of illustrating environmental structure and forms no part of the claimed design.

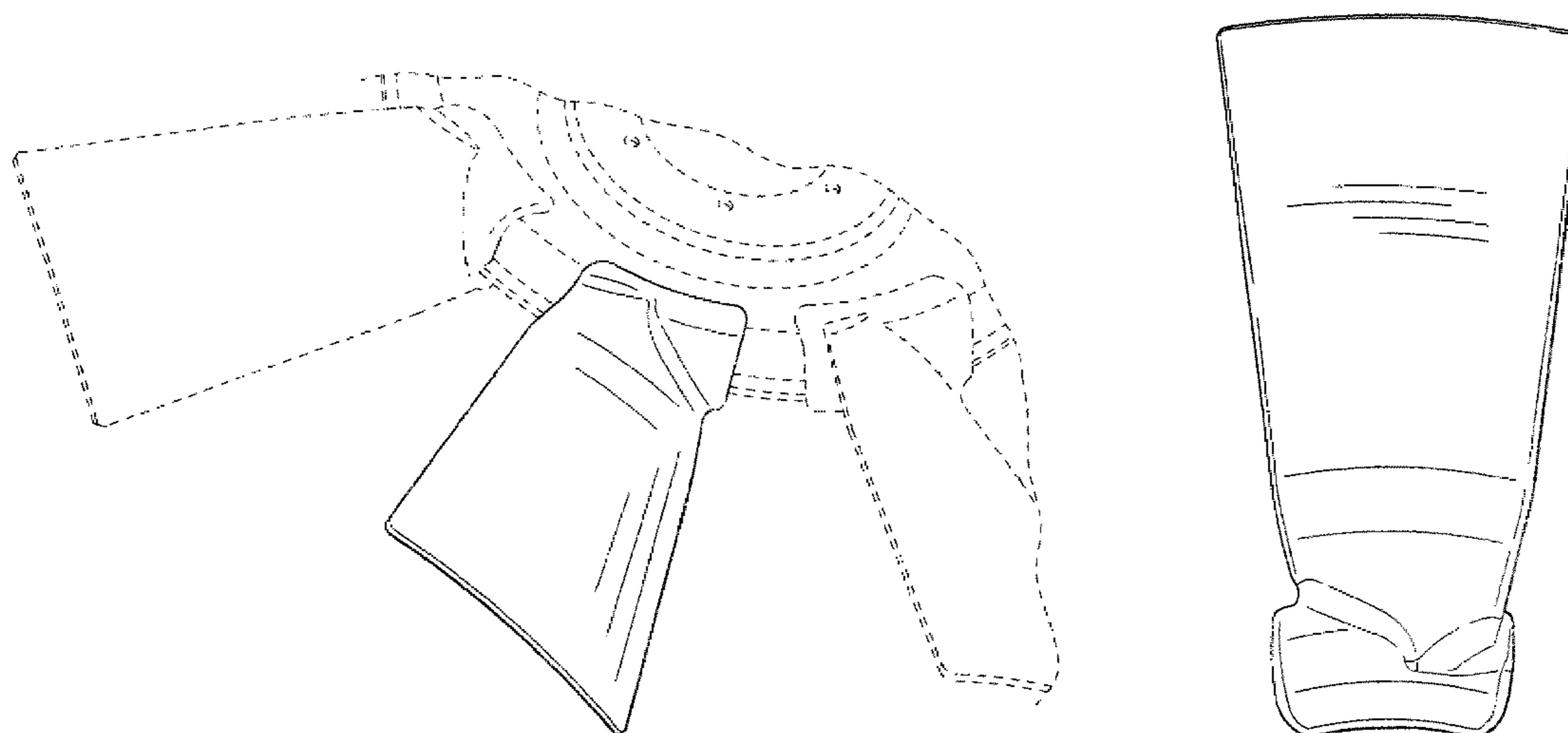
(56) **References Cited**

U.S. PATENT DOCUMENTS

D273,037 S * 3/1984 Dodge D23/413
6,358,012 B1 * 3/2002 Staubach 416/228

* cited by examiner

1 Claim, 2 Drawing Sheets



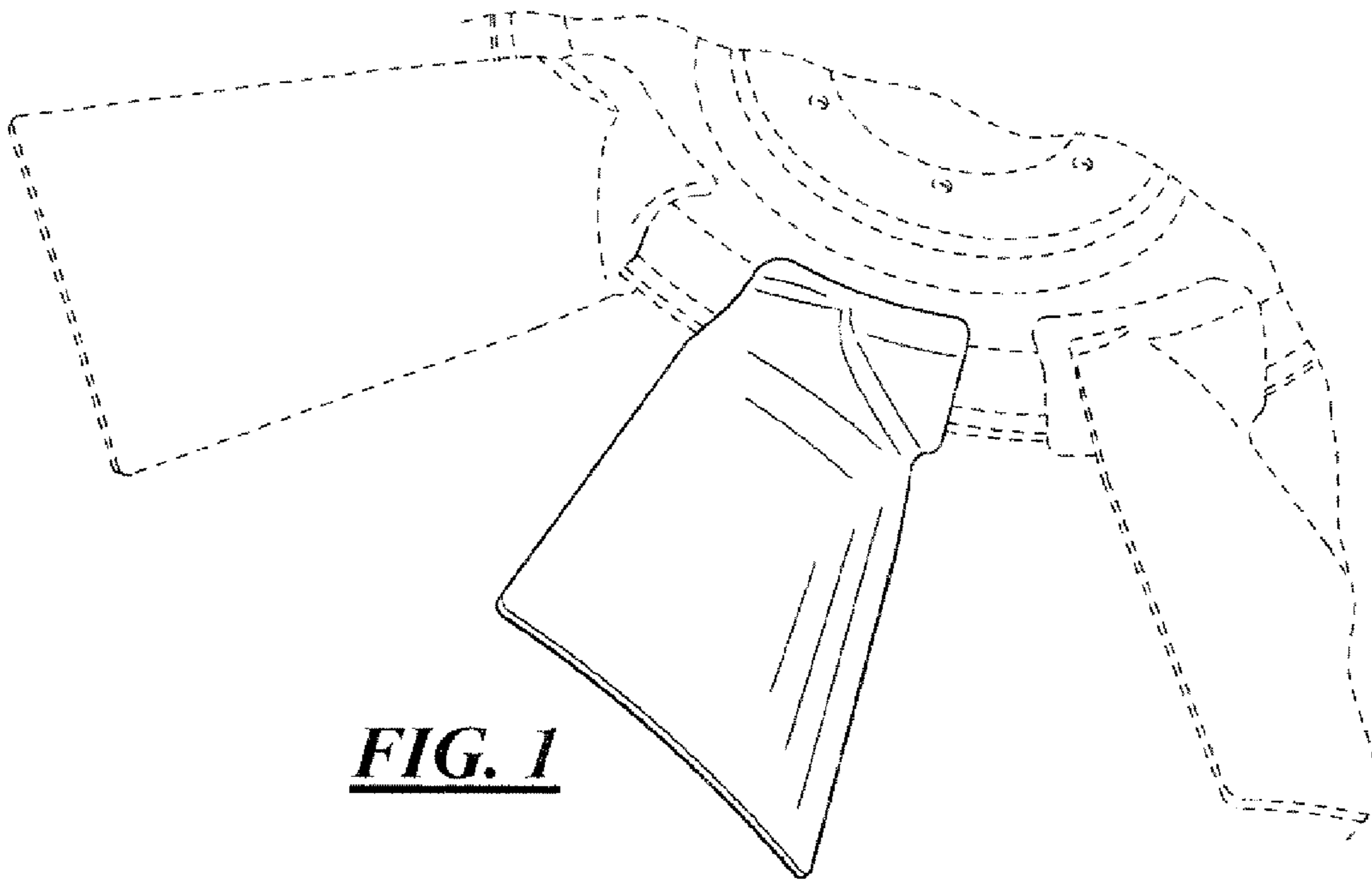


FIG. 1

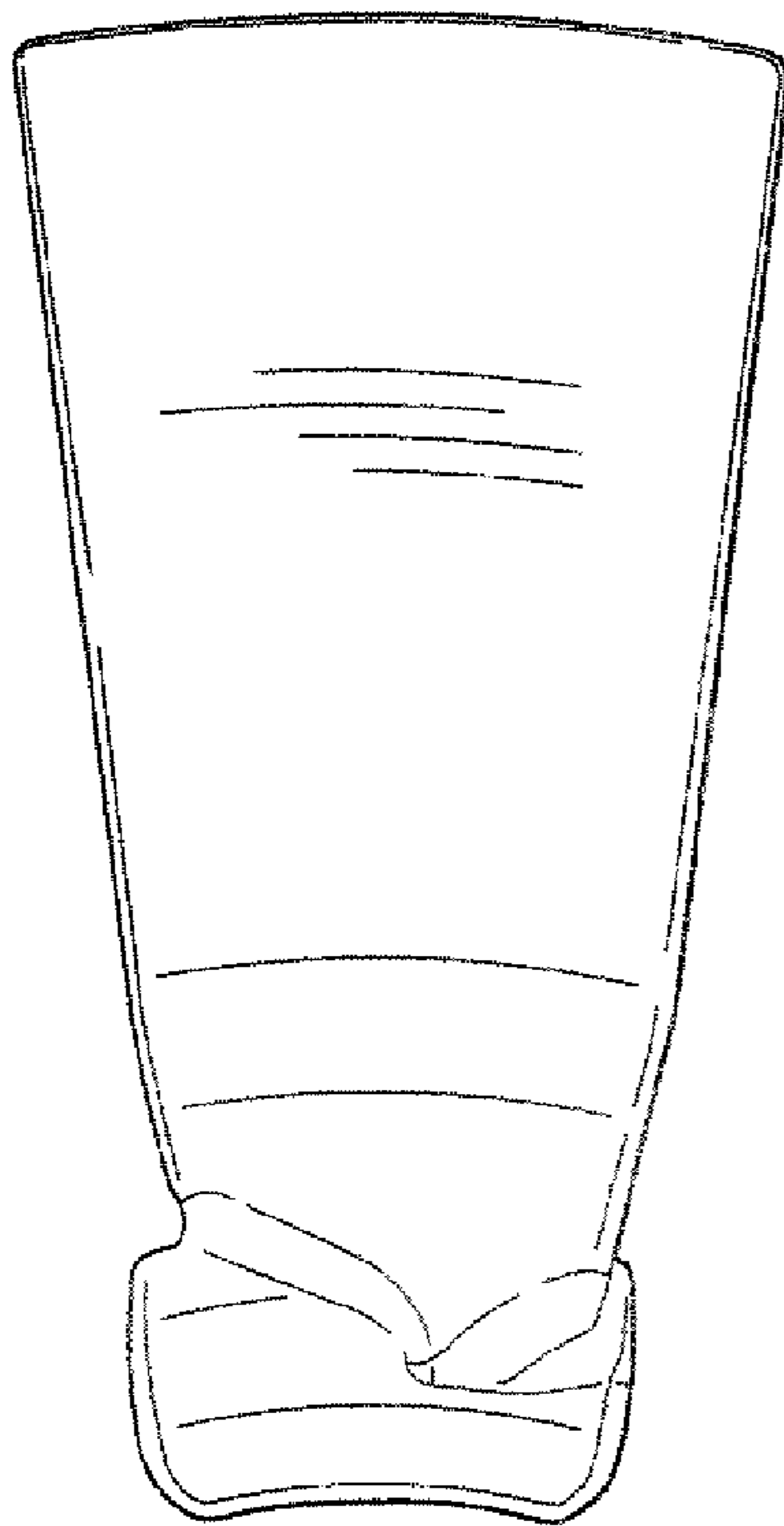


FIG. 2

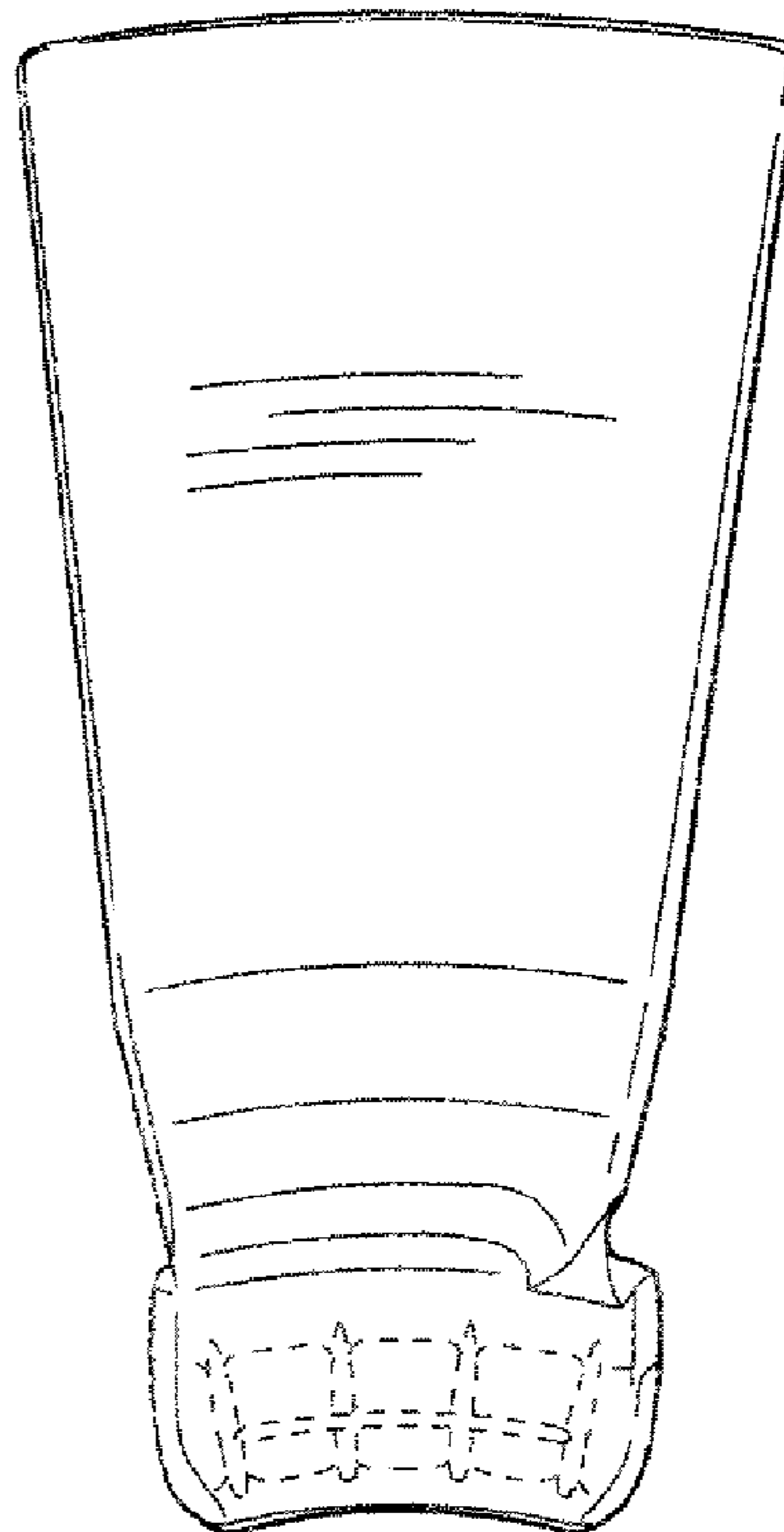


FIG. 3

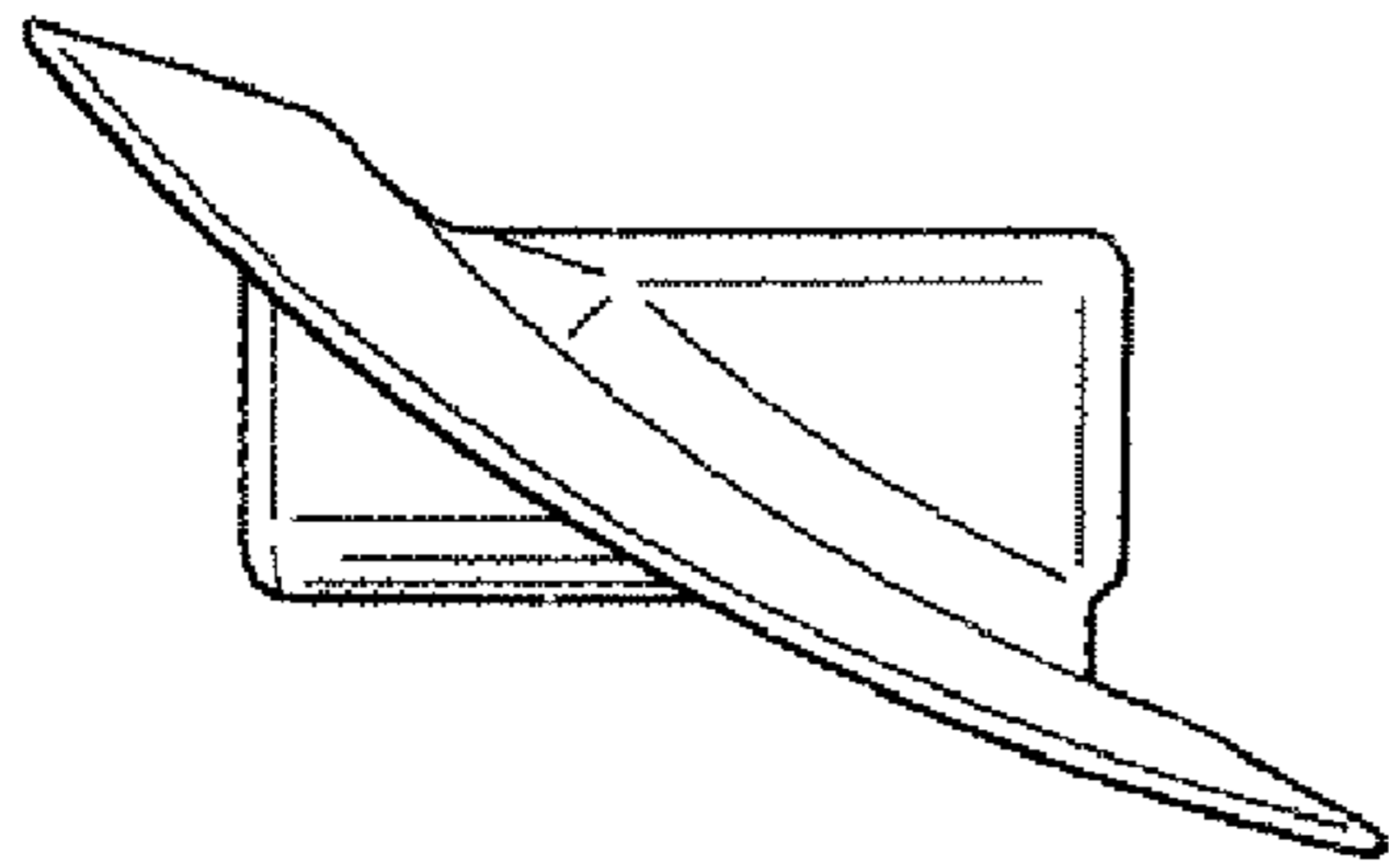


FIG. 4

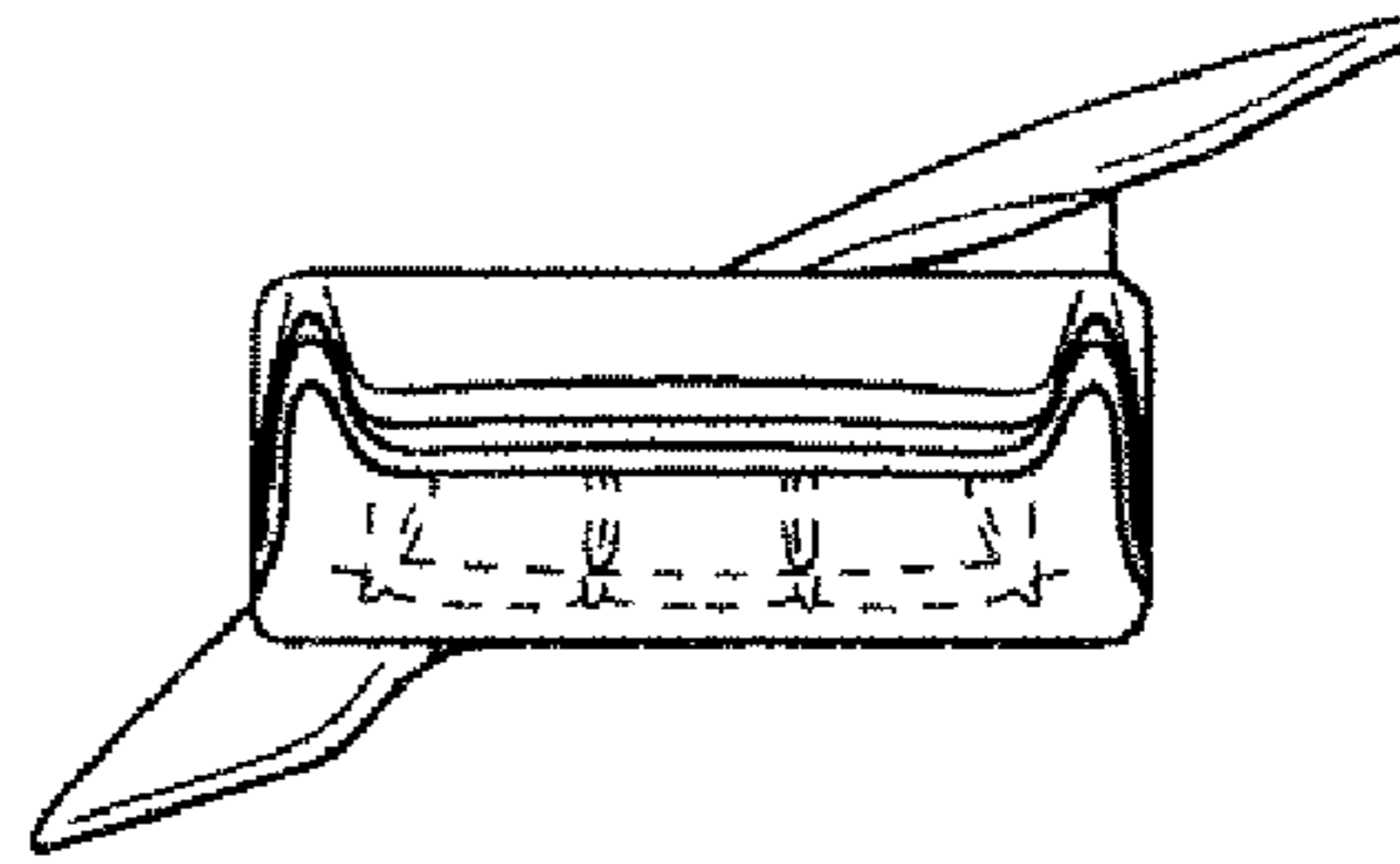


FIG. 5

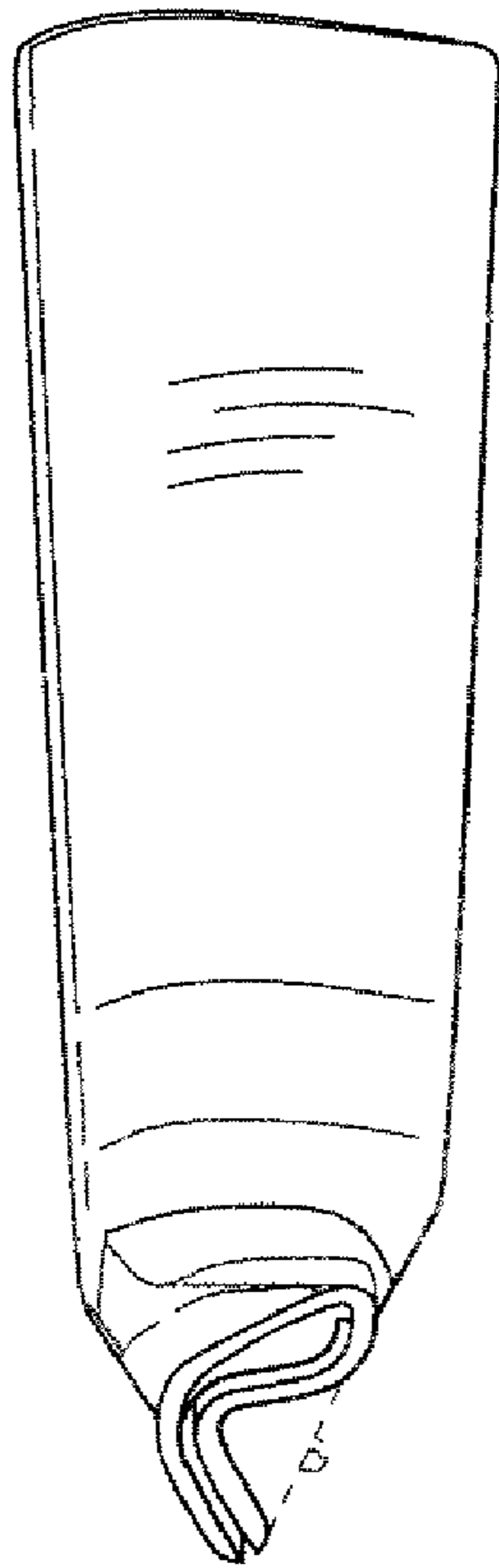


FIG. 6

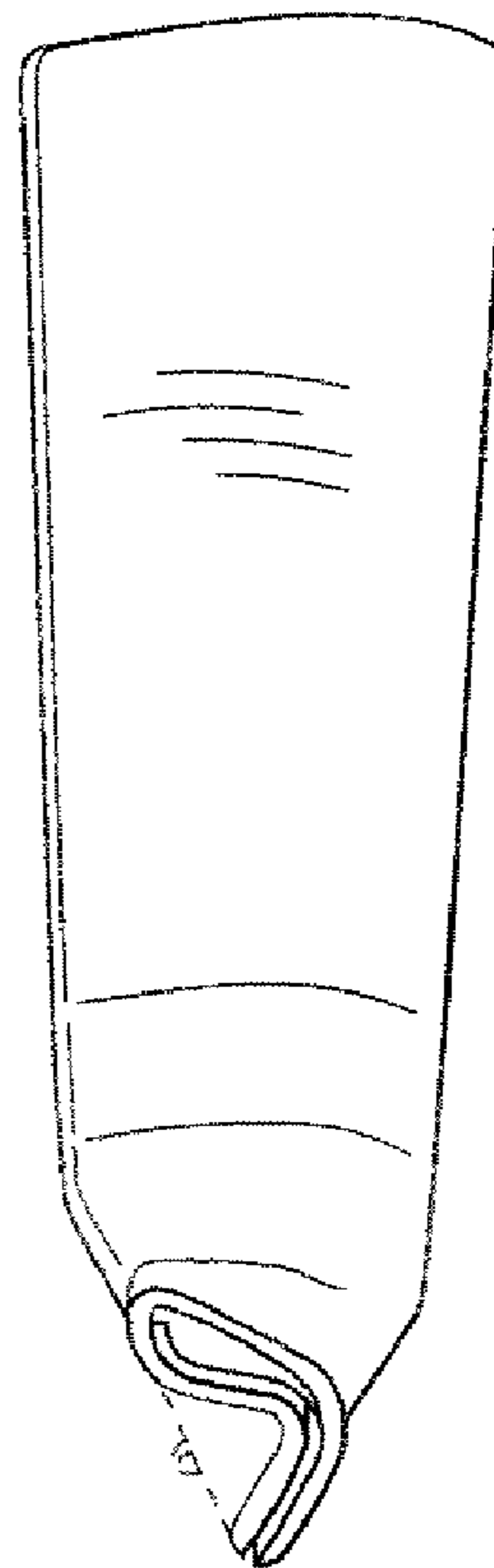


FIG. 7