



US00D633187S

(12) **United States Design Patent**
Fän

(10) **Patent No.:** **US D633,187 S**

(45) **Date of Patent:** **** Feb. 22, 2011**

(54) **EVAPORATIVE COOLER HOUSING**

(75) Inventor: **Jerry Chun Fän**, Birmingham, AL (US)

(73) Assignee: **Champion Cooler Corporation**, Little Rock, AR (US)

(**) Term: **14 Years**

(21) Appl. No.: **29/354,778**

(22) Filed: **Jan. 28, 2010**

(51) **LOC (9) Cl.** **23-04**

(52) **U.S. Cl.** **D23/333**

(58) **Field of Classification Search** D23/314,
D23/317, 332, 333, 351; 312/236; 62/259.1,
62/259.3, 259.4, 262, 263, 304, 401, 515,
62/516; 454/330, 331, 349, 350, 354
See application file for complete search history.

(56) **References Cited**

U.S. PATENT DOCUMENTS

D284,999 S *	8/1986	Worthington et al.	D23/351
D294,633 S *	3/1988	McBratney	D23/333
D311,575 S *	10/1990	Kearney et al.	D23/351
D397,194 S *	8/1998	Hebert	D23/333
D407,152 S *	3/1999	Colliver	D23/333
D558,867 S *	1/2008	Chun et al.	D23/333

* cited by examiner

Primary Examiner—Brian N Vinson

(74) *Attorney, Agent, or Firm*—RatnerPrestia

(57) **CLAIM**

The ornamental design of an evaporative cooler housing, as shown and described.

DESCRIPTION

FIG. 1 is a perspective view from the top, front, and right of an evaporative cooler housing;

FIG. 2 is a perspective view from the top, rear, and left side thereof

FIG. 3 is a front elevation view thereof;

FIG. 4 is a right side elevation view thereof;

FIG. 5 is a rear elevation view thereof;

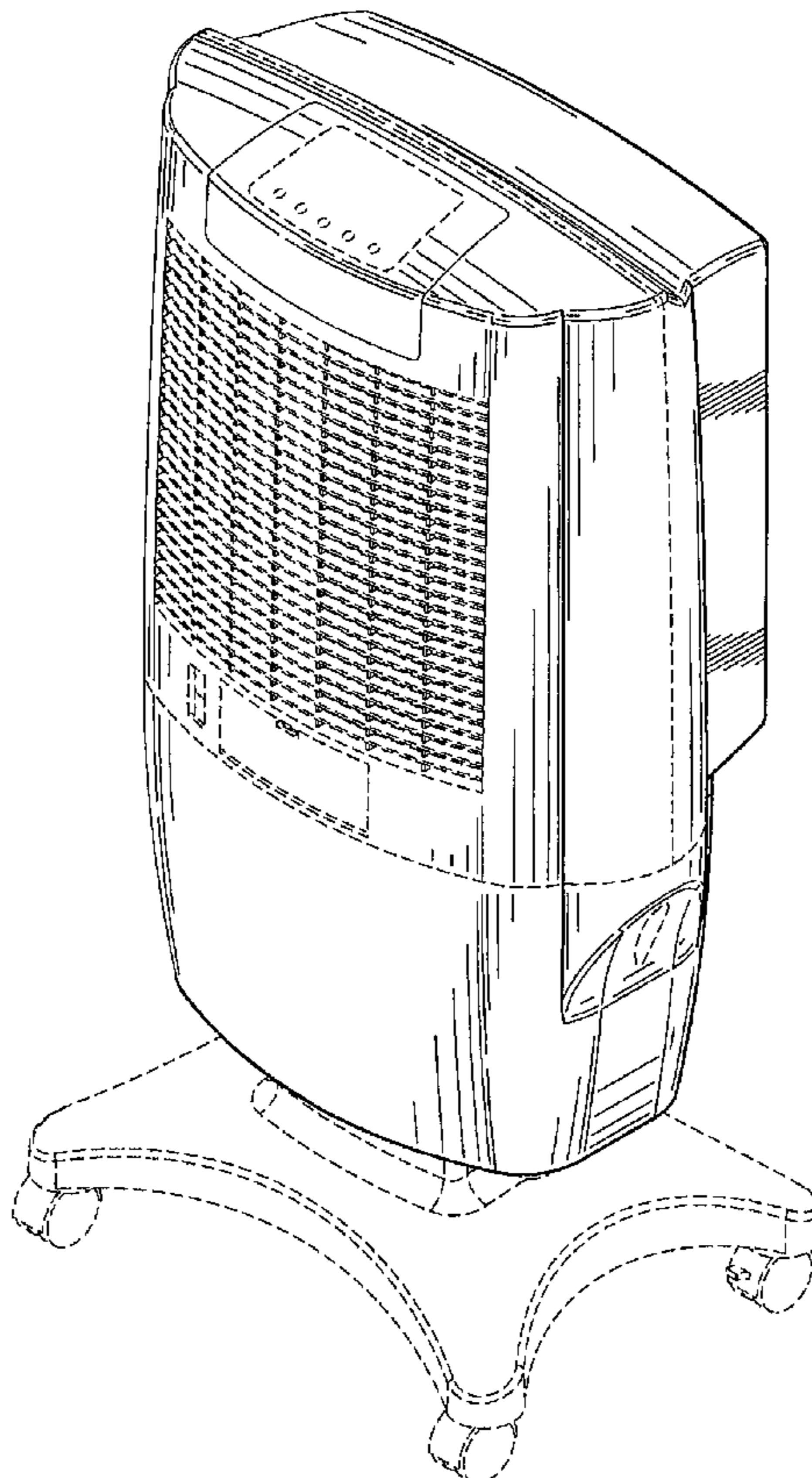
FIG. 6 is a left side elevation view thereof;

FIG. 7 is a top view thereof; and,

FIG. 8 is a bottom view thereof.

The broken-line disclosure in the views is understood to represent portions of the article in which the claimed design is embodied, but which forms no part of the claimed design.

1 Claim, 6 Drawing Sheets



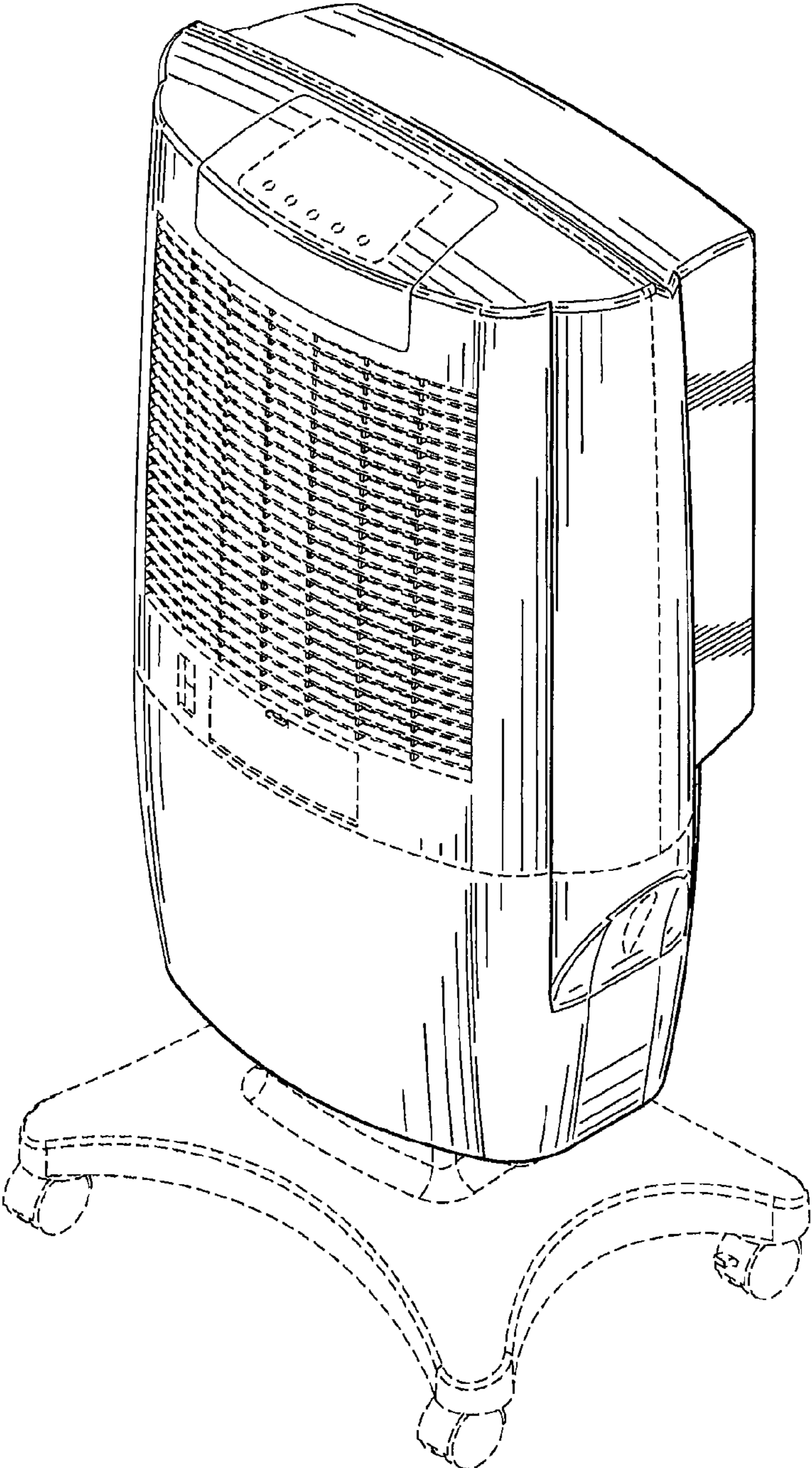


FIG. 1

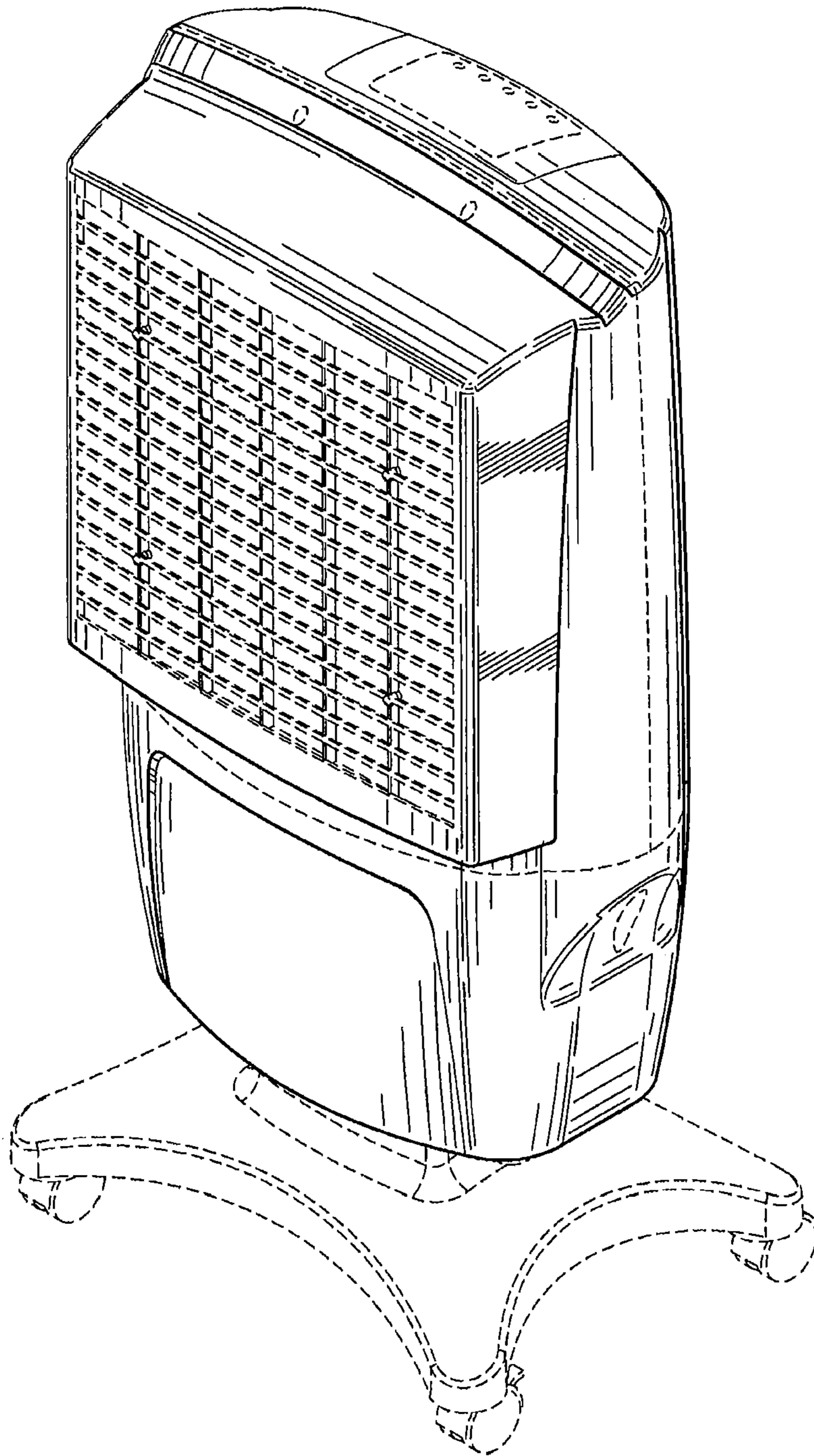


FIG. 2

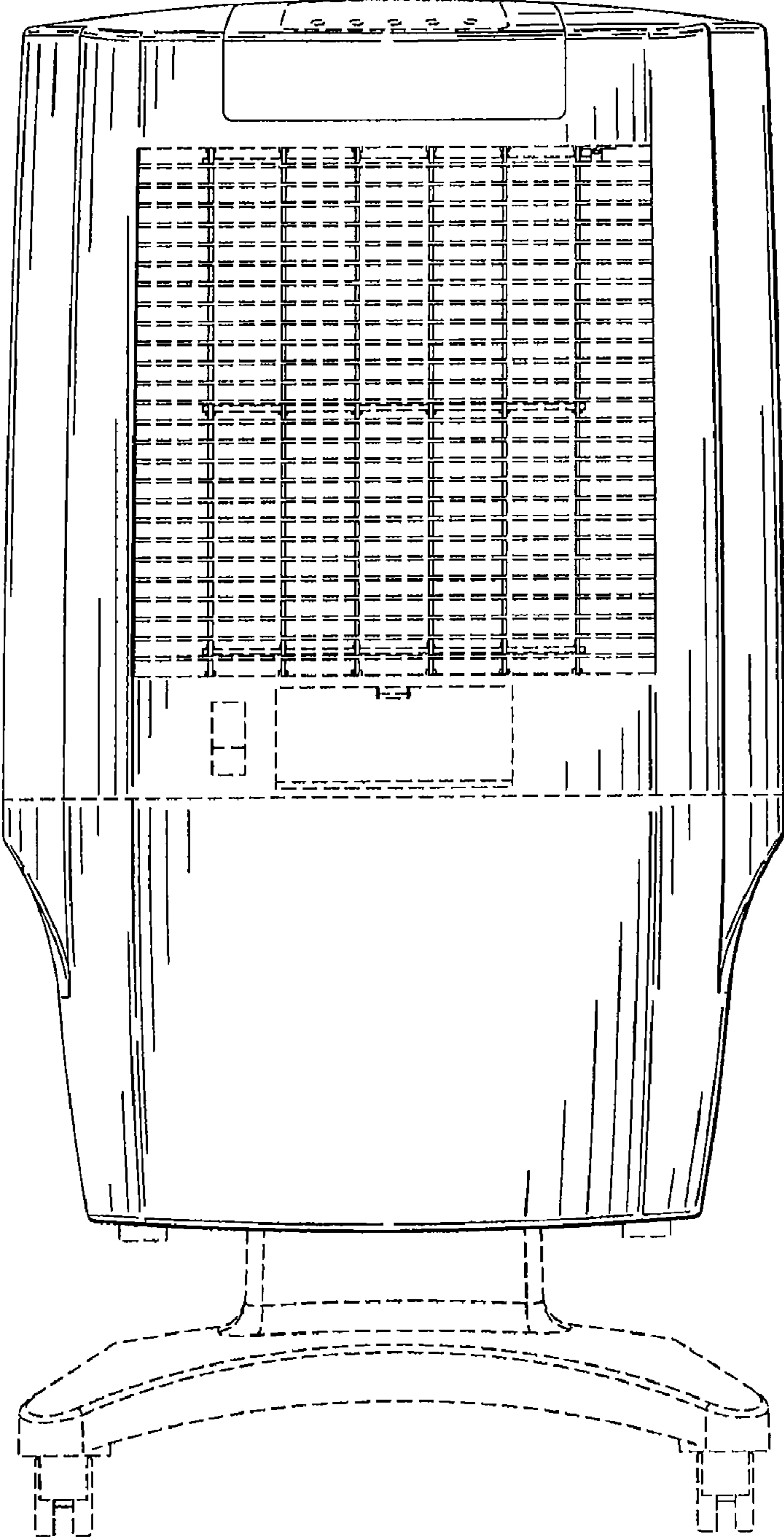


FIG. 3

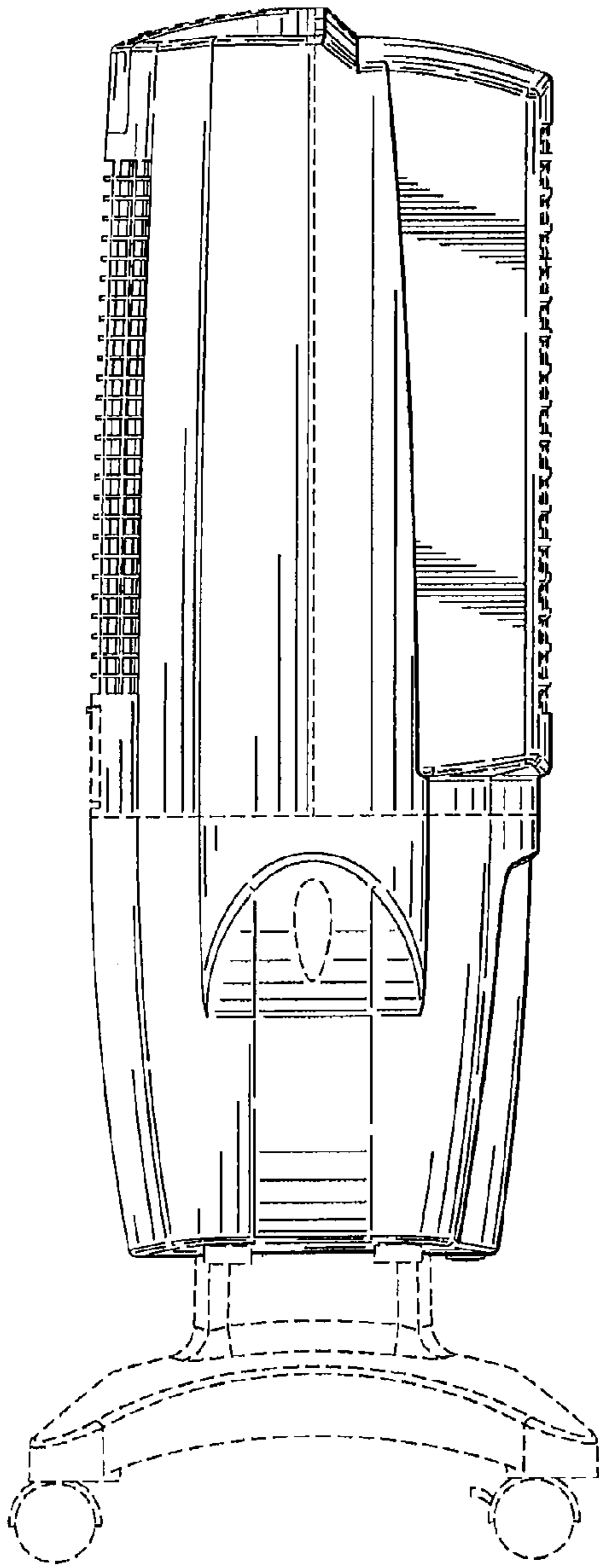


FIG. 4

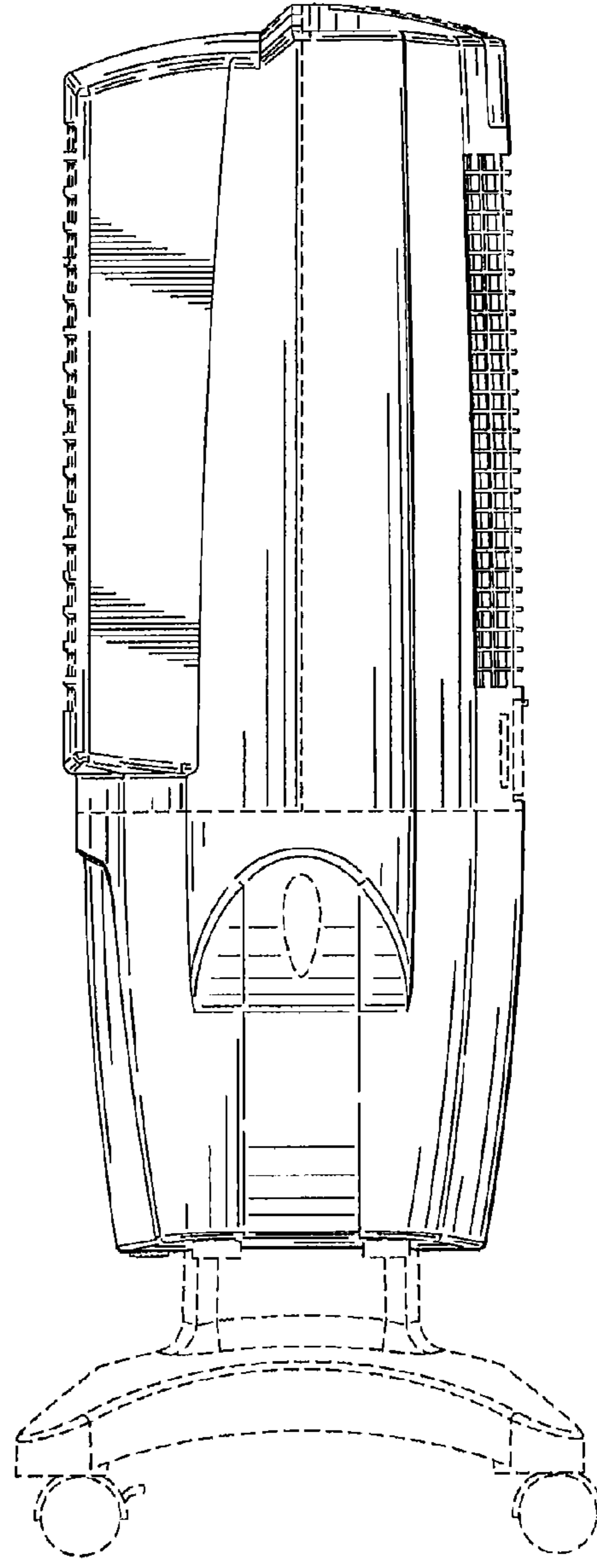


FIG. 6

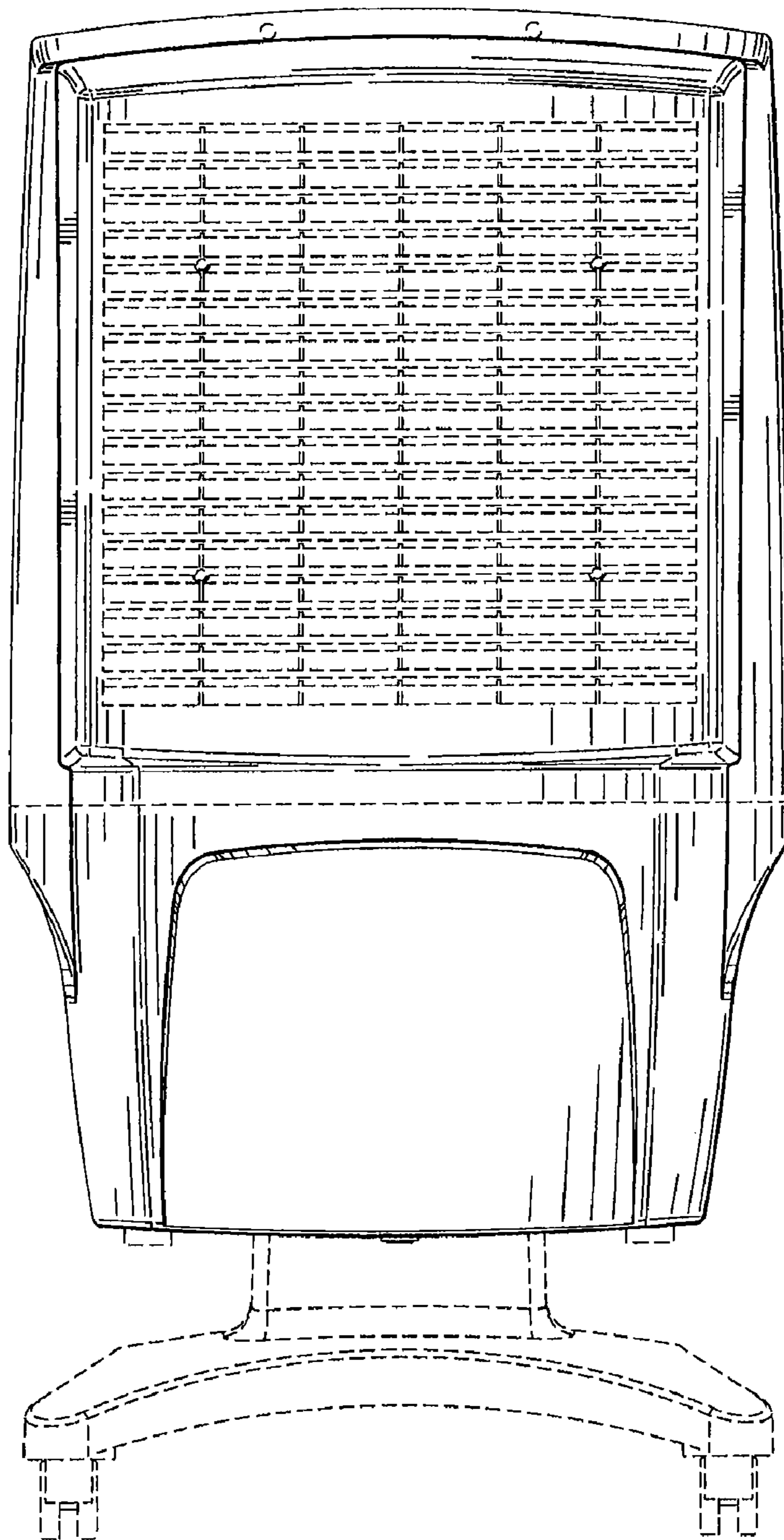


FIG. 5

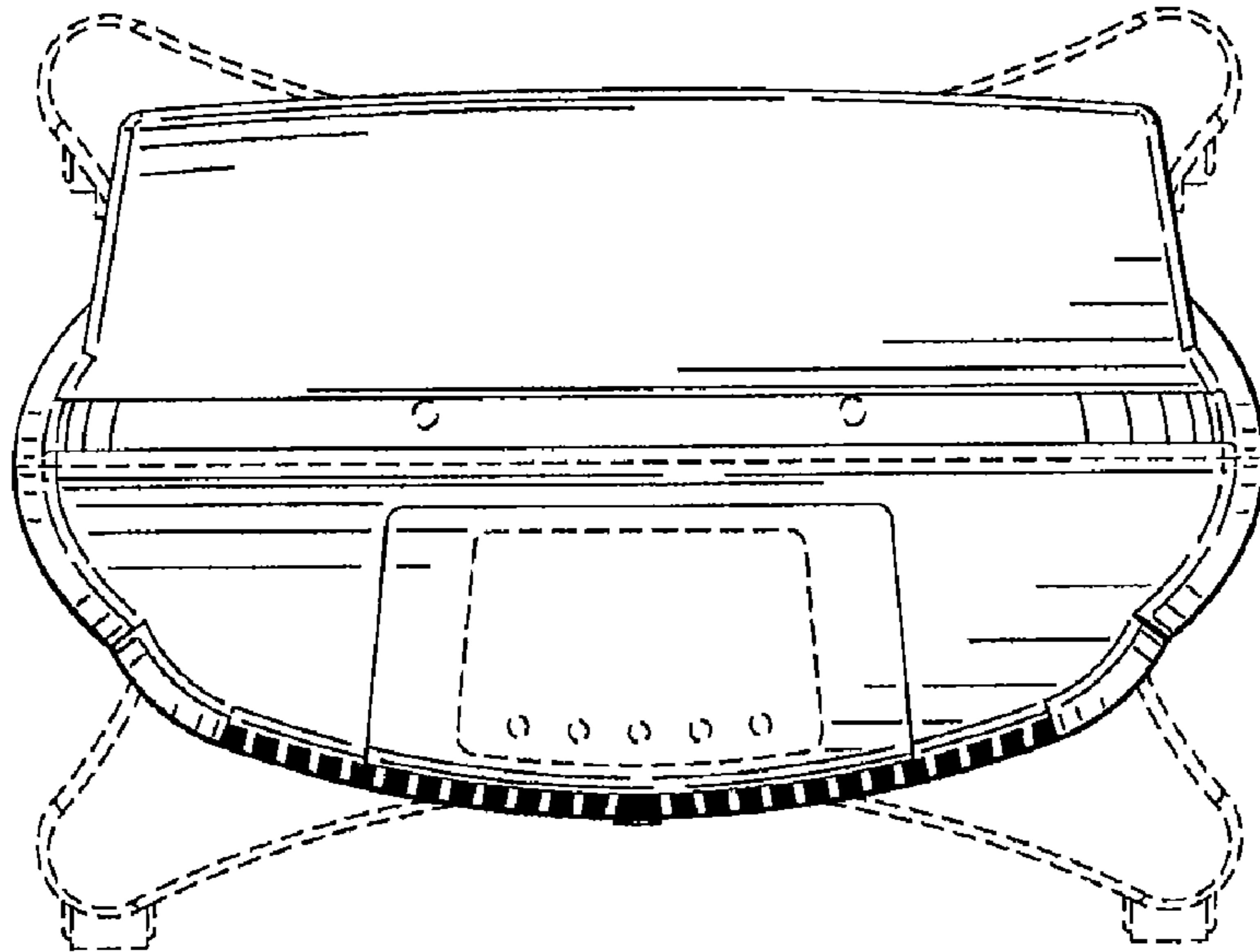


FIG. 7

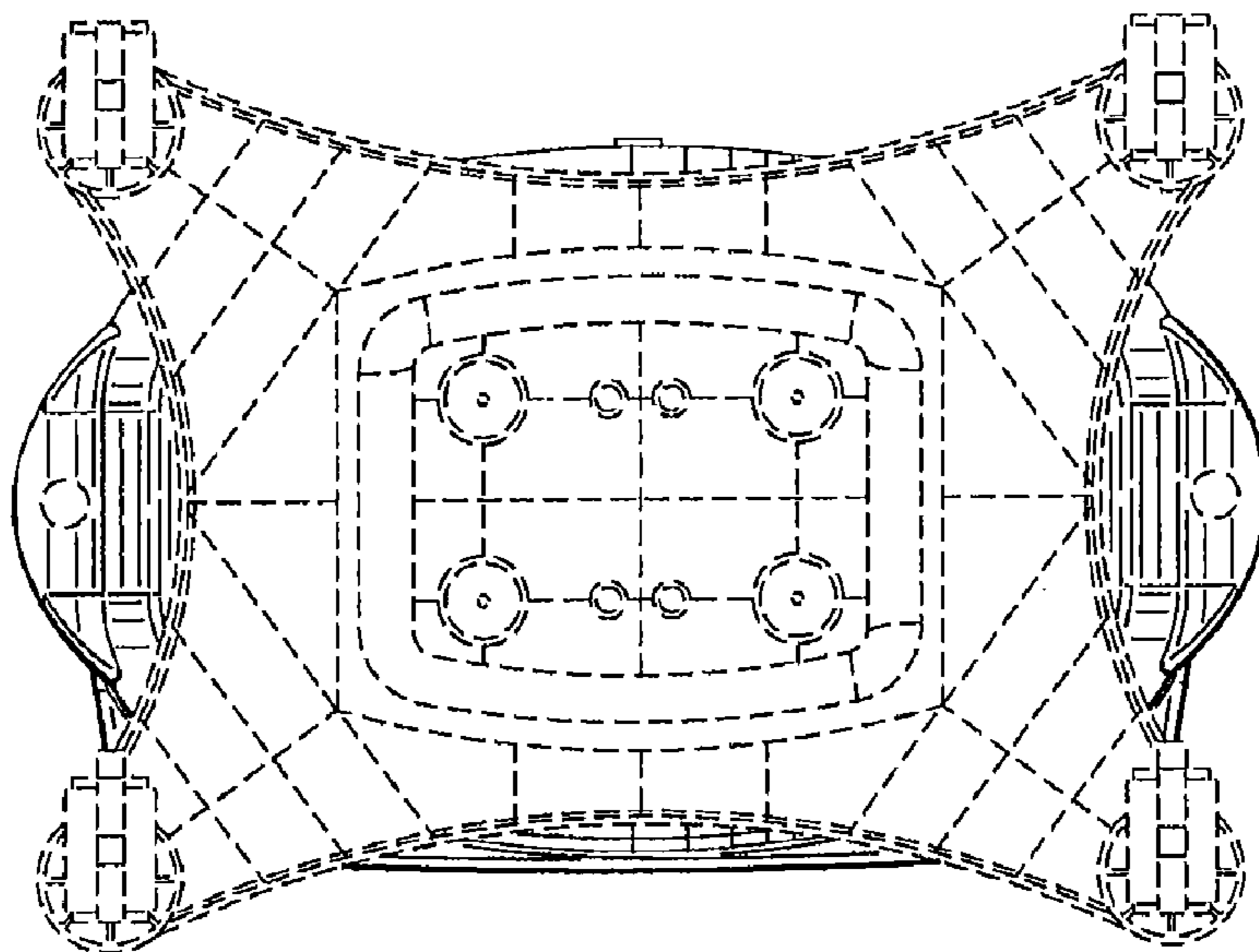


FIG. 8