



US00D633185S

(12) **United States Design Patent**
Côté

(10) **Patent No.:** **US D633,185 S**

(45) **Date of Patent:** **** Feb. 22, 2011**

(54) **TUB-SHOWER SURROUND AND BASE**

D618,774 S * 6/2010 Bauer et al. D23/304

(75) Inventor: **Bruno Côté**, Saint-Isidore (CA)

* cited by examiner

(73) Assignee: **Maax-Bath Inc.**, Lachine, Quebec (CA)

Primary Examiner—Robert A Delehanty

(74) *Attorney, Agent, or Firm*—Philip Swain; Fasken Martineau DuMoulin LLP

(**) Term: **14 Years**

(57) **CLAIM**

(21) Appl. No.: **29/357,960**

The ornamental design for a tub-shower surround and base, as shown and described.

(22) Filed: **Mar. 19, 2010**

(51) **LOC (9) Cl.** **23-02**

(52) **U.S. Cl.** **D23/275**

(58) **Field of Classification Search** D23/279,
D23/283, 275, 304; 4/552, 595

See application file for complete search history.

DESCRIPTION

(56) **References Cited**

U.S. PATENT DOCUMENTS

D203,576 S *	2/1966	Sundberg	D23/277
D221,760 S *	9/1971	Skyhawk	D23/305
D274,458 S *	6/1984	Doman	D23/305
7,124,451 B2 *	10/2006	Moore	4/576.1
D539,876 S *	4/2007	DeBoer et al.	D23/275
D546,425 S *	7/2007	Hisey	D23/283
D568,142 S *	5/2008	Zhang et al.	D8/320
D602,138 S *	10/2009	Gilbert et al.	D23/304
D618,772 S *	6/2010	Hoernig et al.	D23/283

FIG. 1 is a top front perspective view of a tub-shower surround and base of the present invention;

FIG. 2 is a front view of the tub-shower surround and base of the present invention;

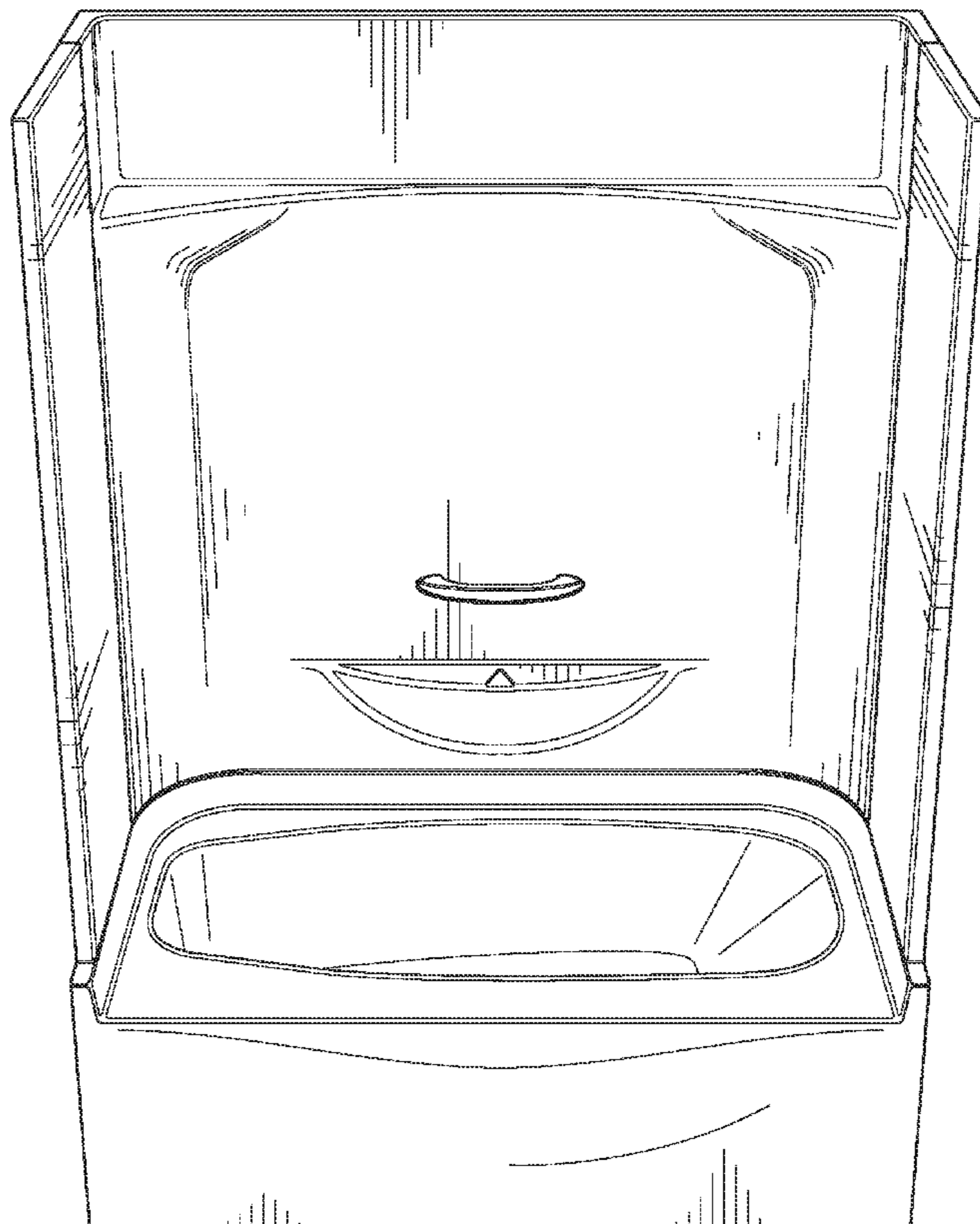
FIG. 3 is a top view of the tub-shower surround and base of the present invention;

FIG. 4 is a top front perspective view of a tub-shower surround and base of a second embodiment of the present invention;

FIG. 5 is a front view of the tub-shower surround and base of the second embodiment of the present invention; and,

FIG. 6 is a top view of the tub-shower surround and base of the second embodiment of the present invention.

1 Claim, 6 Drawing Sheets



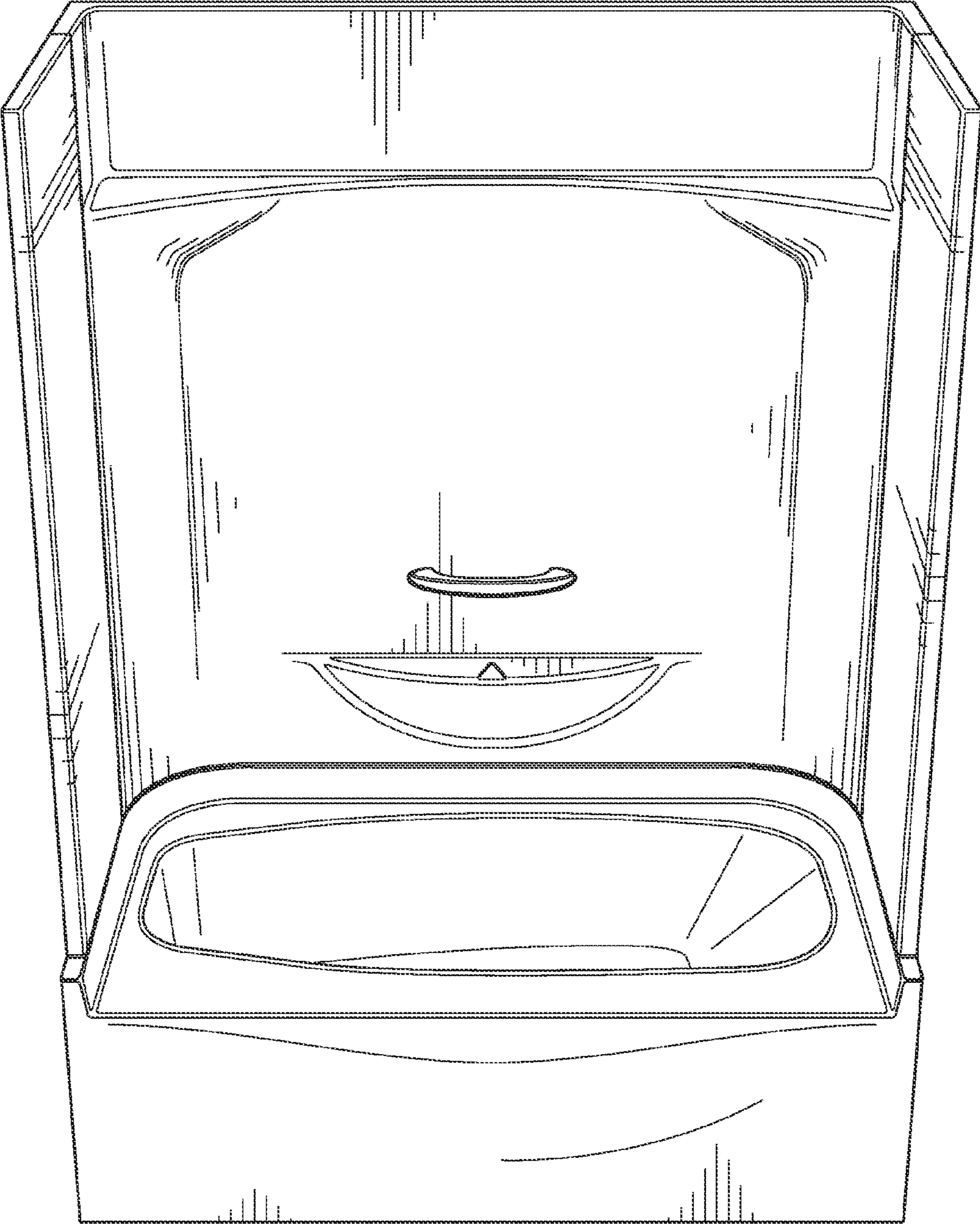


FIG. 1

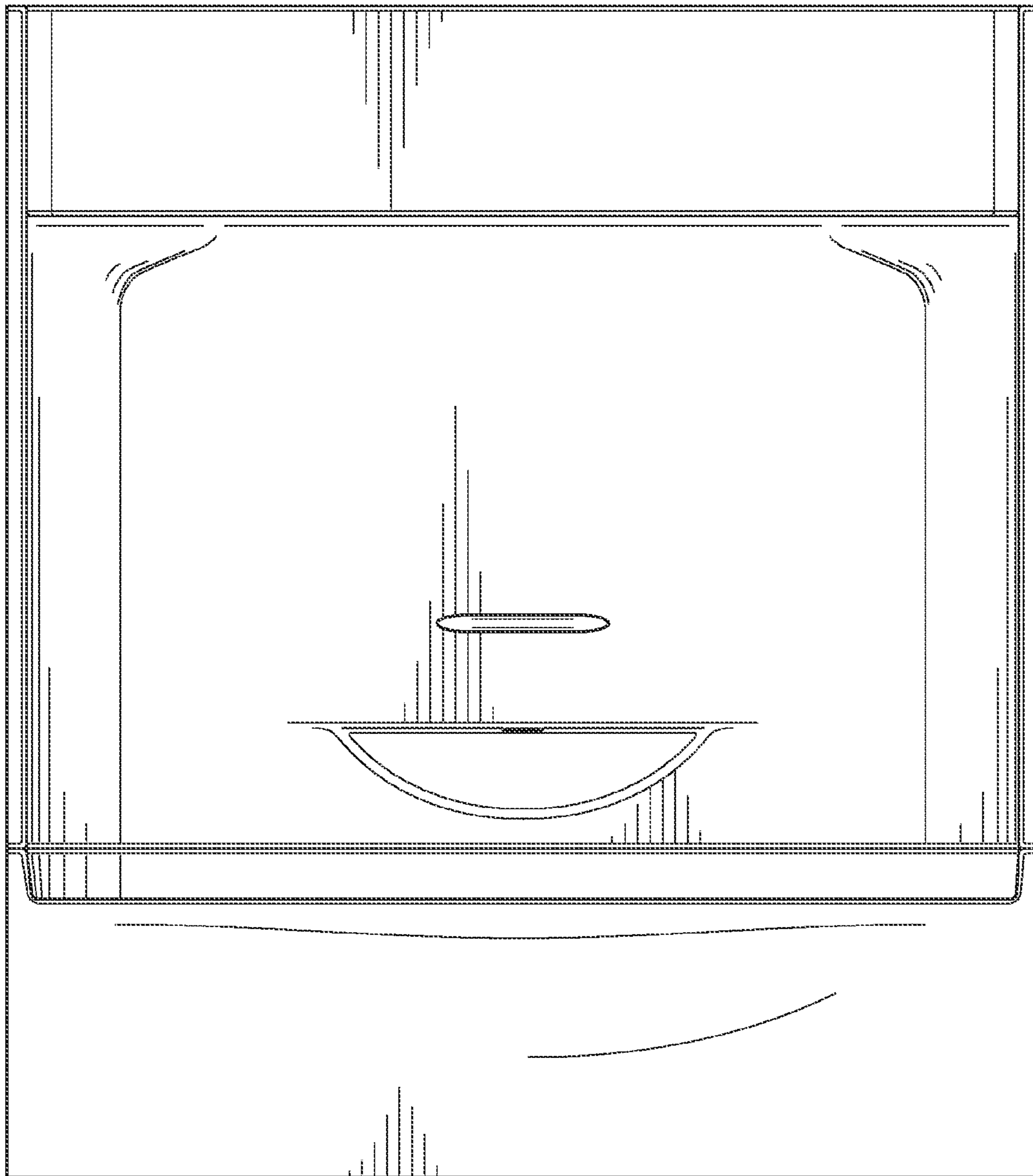


FIG. 2

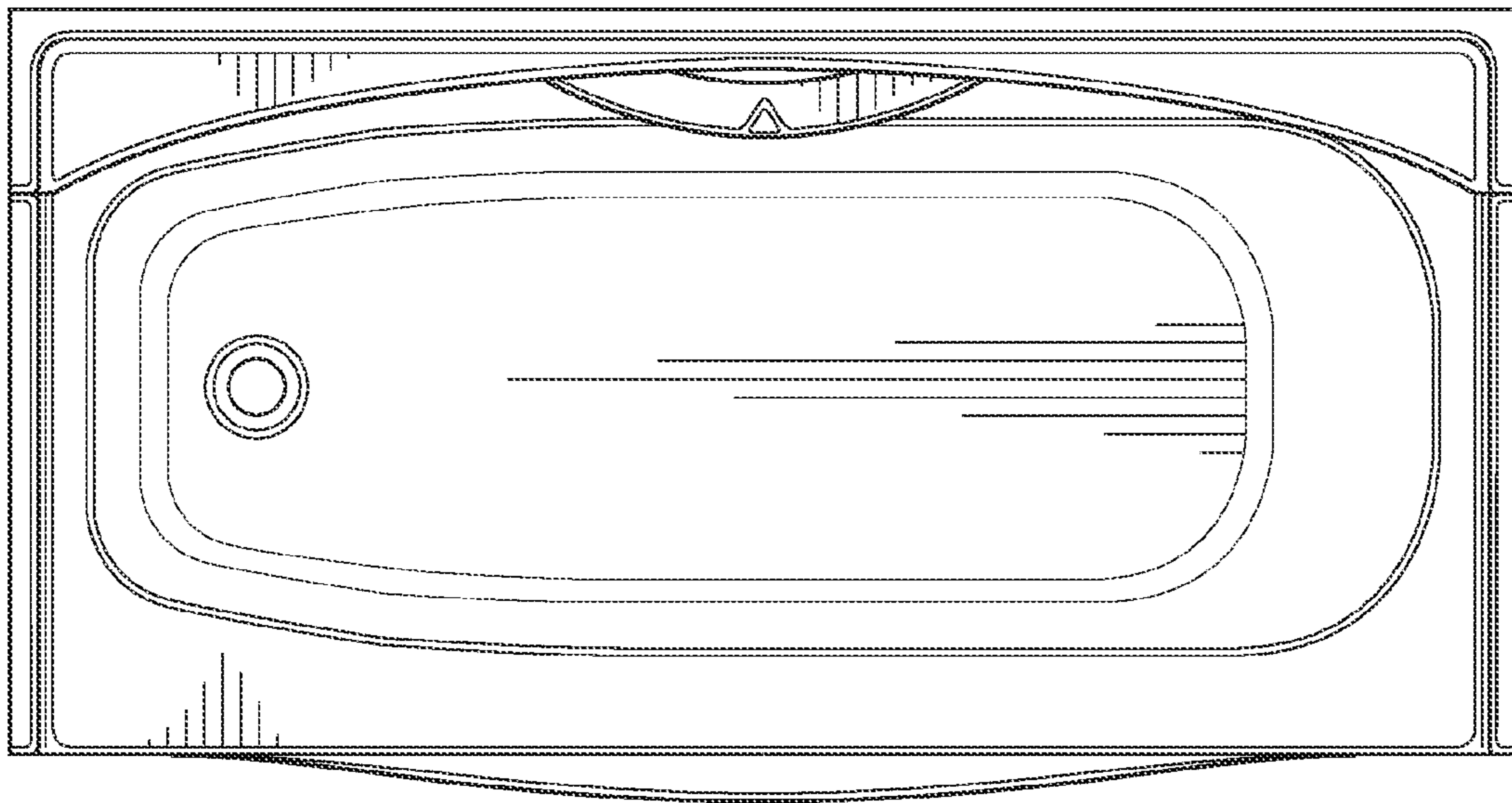


FIG. 3

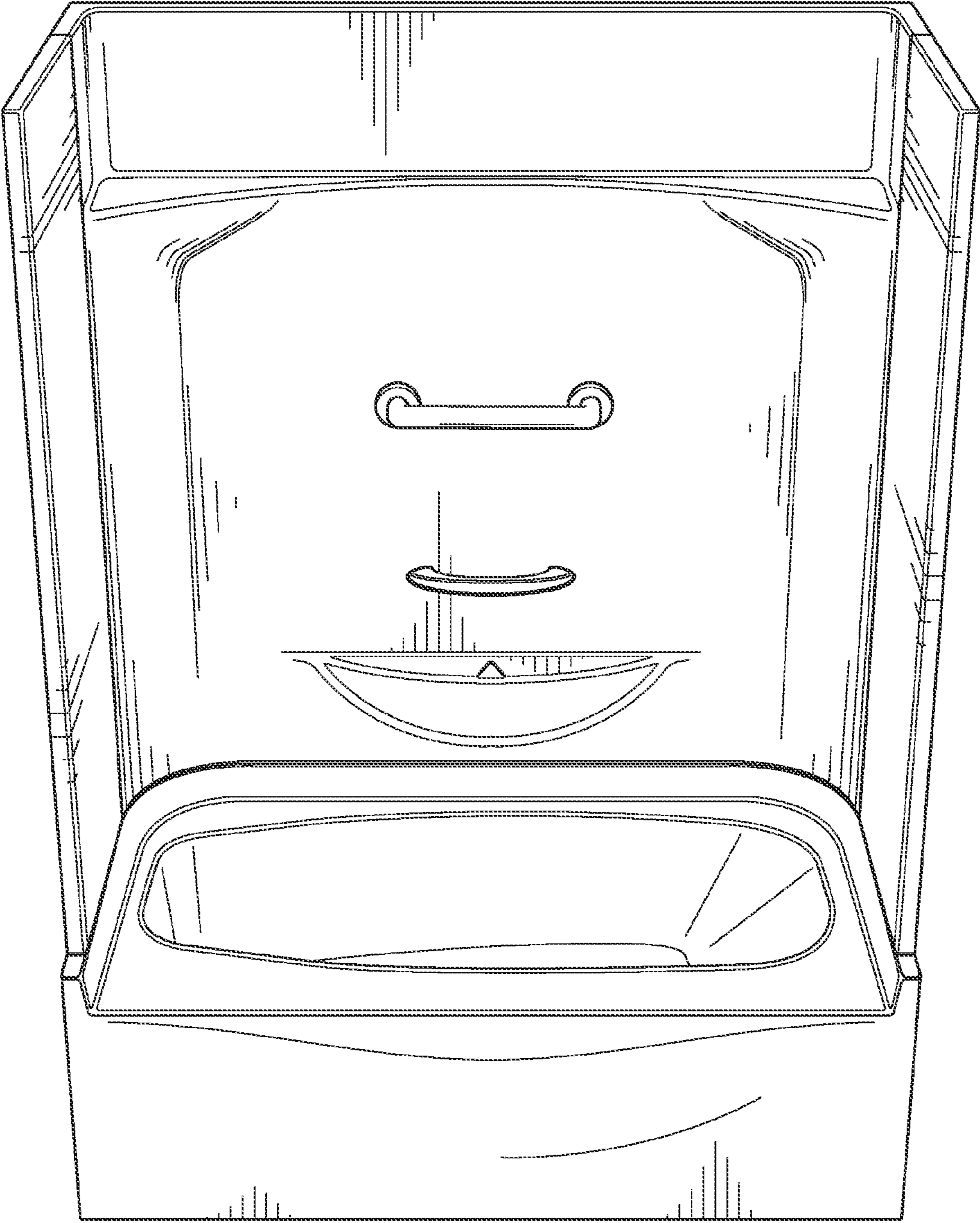


FIG. 4

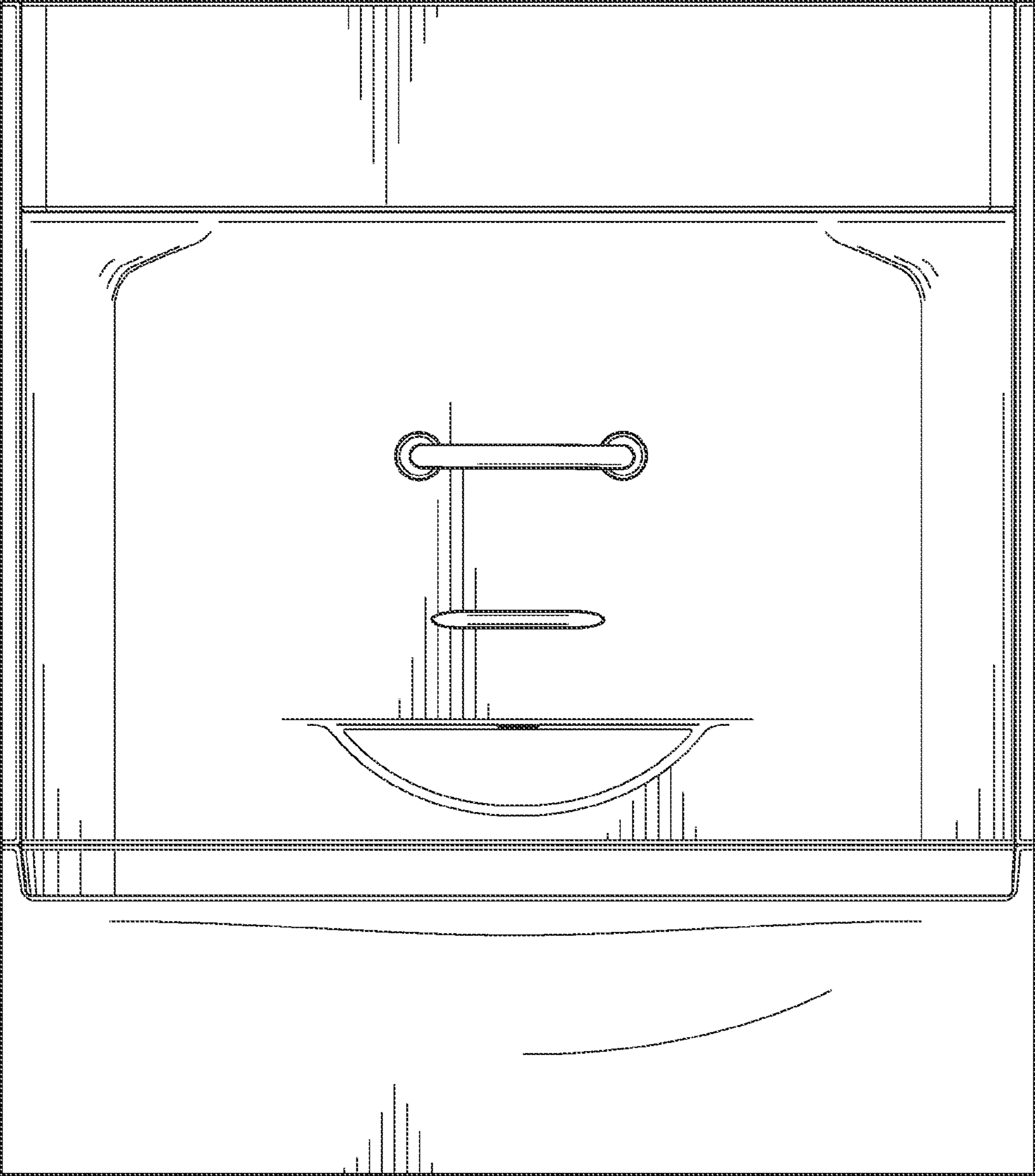


FIG. 5

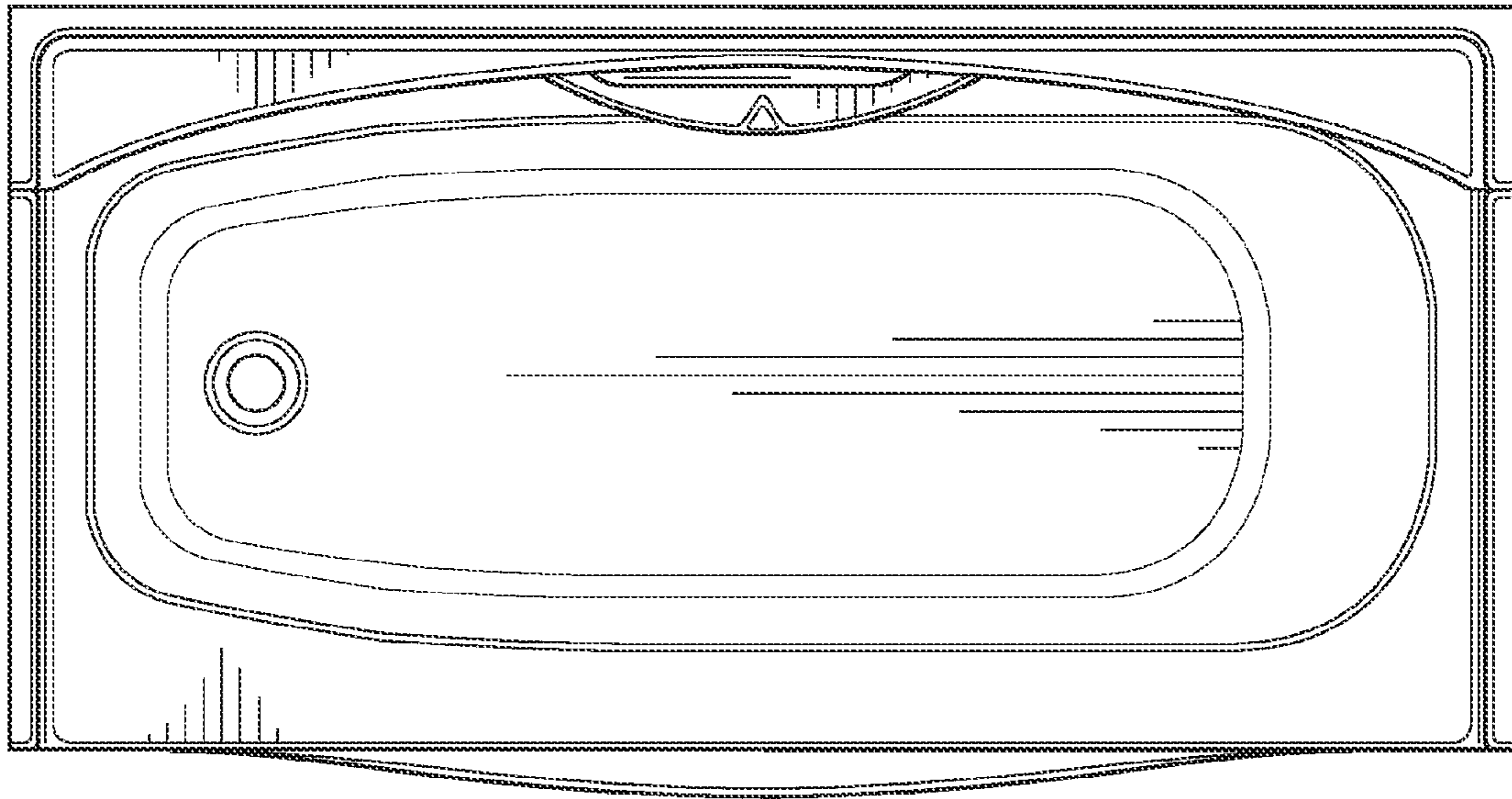


FIG. 6