

US00D633183S

(12) **United States Design Patent**  
**Heintzman**

(10) **Patent No.:** **US D633,183 S**

(45) **Date of Patent:** **\*\* Feb. 22, 2011**

(54) **ANNULAR DISC SEAL**

(75) Inventor: **Rick Heintzman**, Fargo, ND (US)

(73) Assignee: **Genius Seal, Inc.**, Fargo, ND (US)

(\*\*) Term: **14 Years**

(21) Appl. No.: **29/324,193**

(22) Filed: **Sep. 8, 2008**

(51) **LOC (9) Cl.** ..... **23-01**

(52) **U.S. Cl.** ..... **D23/269**

(58) **Field of Classification Search** ..... D23/262,  
D23/269; 27/351-359, 572, 563, 504  
See application file for complete search history.

(56) **References Cited**

U.S. PATENT DOCUMENTS

D96,849	S	*	9/1935	Petterson	.....	D23/260
D191,184	S	*	8/1961	Scholz	.....	D23/261
4,714,257	A	*	12/1987	Heinrich et al.	.....	277/307
5,163,721	A	*	11/1992	Babuder	.....	285/328
D342,567	S	*	12/1993	Boen	.....	D23/269
D351,220	S	*	10/1994	Barnes	.....	D23/260
5,581,019	A	*	12/1996	Minor et al.	.....	73/114.77
D380,039	S	*	6/1997	Sutherland et al.	.....	D23/269
6,109,615	A	*	8/2000	Gildea et al.	.....	277/349
6,173,963	B1	*	1/2001	Ho et al.	.....	277/361
6,340,160	B1	*	1/2002	Younger	.....	277/447
6,422,570	B2	*	7/2002	Ikeda et al.	.....	277/552
D525,685	S	*	7/2006	Walton	.....	D23/269

D572,348	S	*	7/2008	Arosio	.....	D23/269
D585,968	S	*	2/2009	Elkins et al.	.....	D23/259
D593,641	S	*	6/2009	Plank et al.	.....	D23/259
2003/0214099	A1	*	11/2003	Dahlheimer	.....	277/358
2009/0302545	A1	*	12/2009	Haynes	.....	277/314

\* cited by examiner

*Primary Examiner*—T. Chase Nelson

*Assistant Examiner*—Eric L Goodman

(74) *Attorney, Agent, or Firm*—Westman, Champlin & Kelly

(57) **CLAIM**

The ornamental design for an annular disc seal, as shown and described.

**DESCRIPTION**

FIG. 1 is an isometric bottom view thereof;

FIG. 2 is an isometric top view thereof;

FIG. 3 is a bottom plan view thereof;

FIG. 4 is a top plan view thereof;

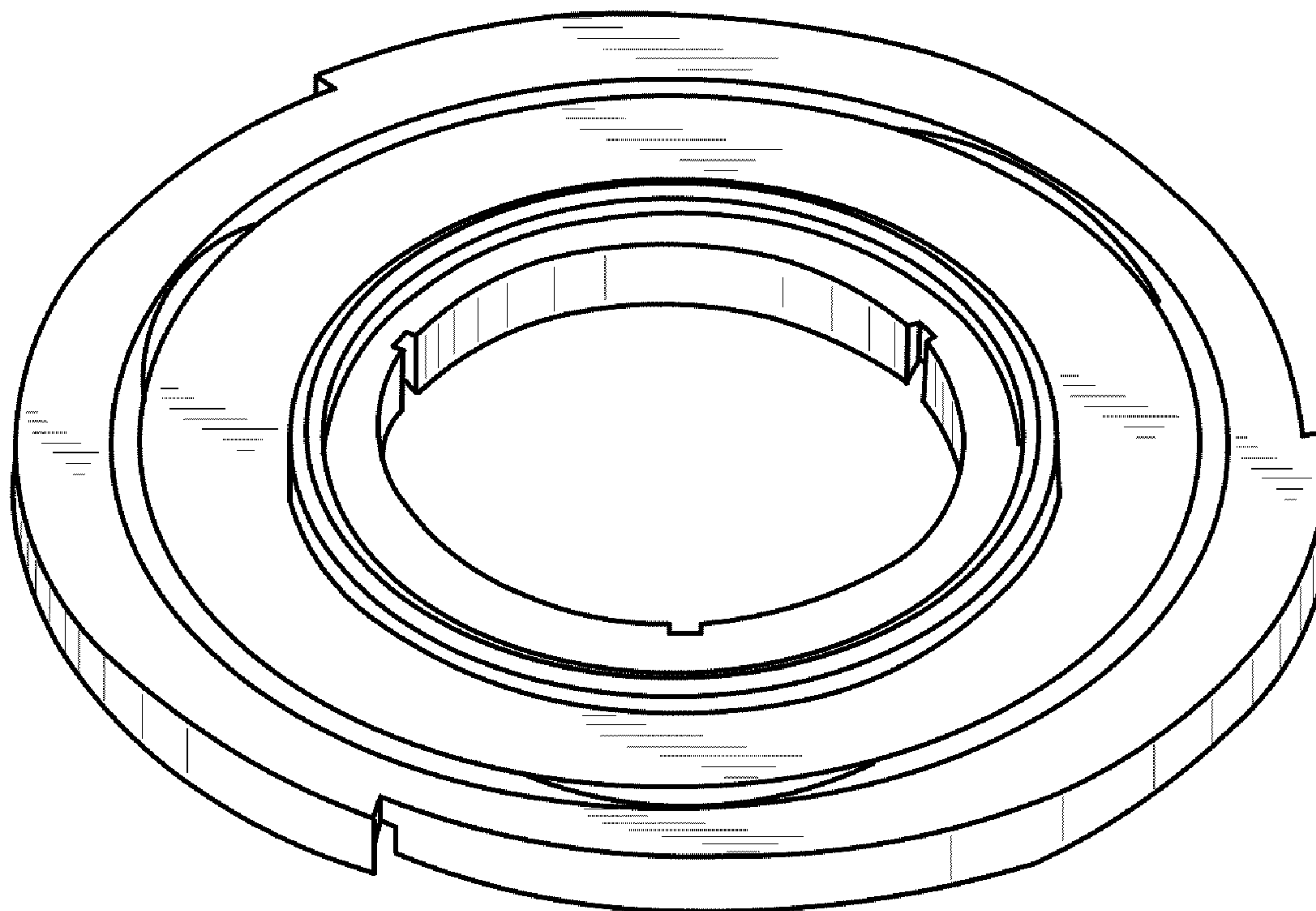
FIG. 5 is a side view thereof, as taken from the left side of FIG. 3;

FIG. 6 is a front view thereof, as taken from the right side of FIG. 3;

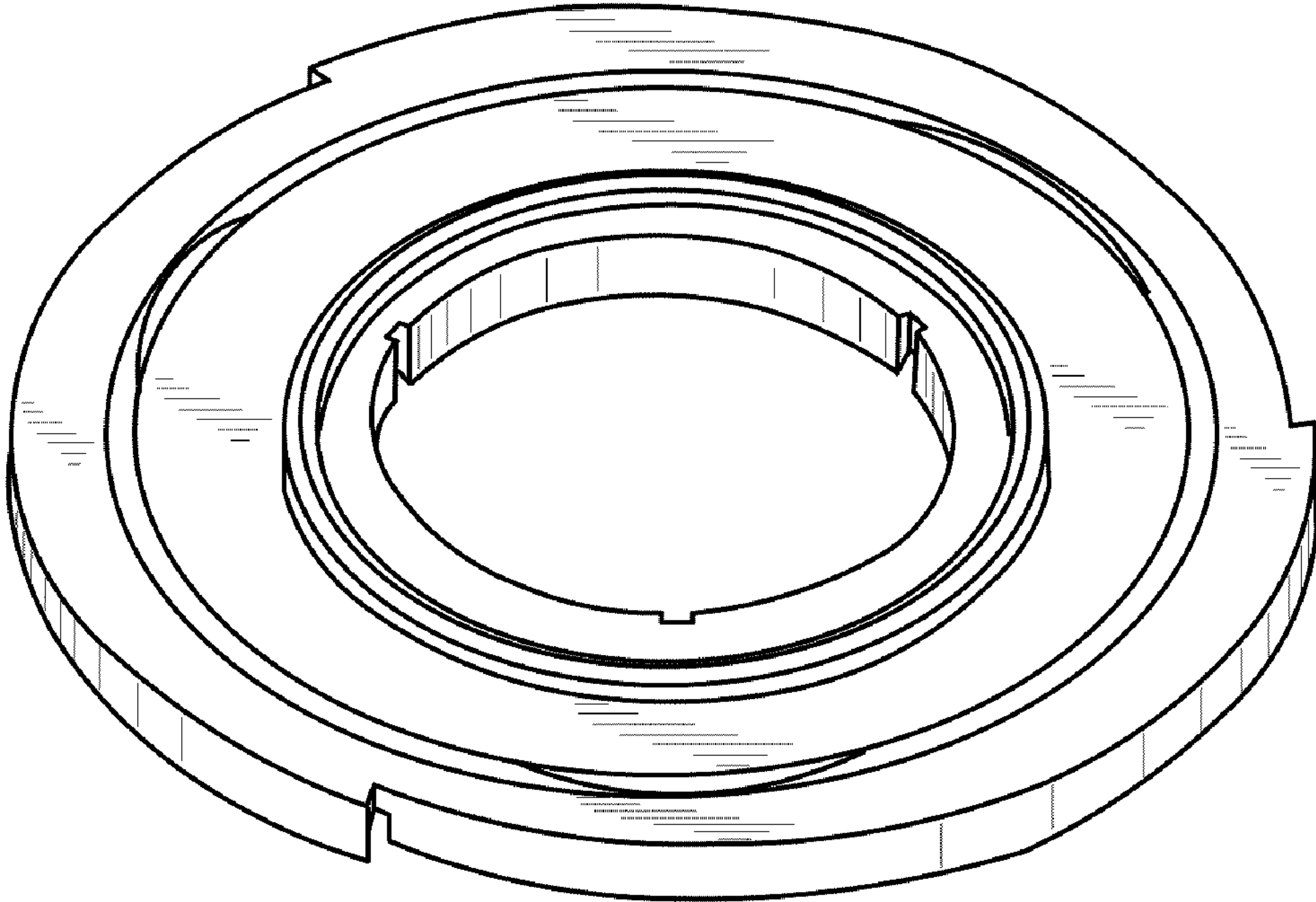
FIG. 7 is an end view thereof, as taken from the upper side of FIG. 3; and,

FIG. 8 is an end view thereof, as taken from the lower side of FIG. 3.

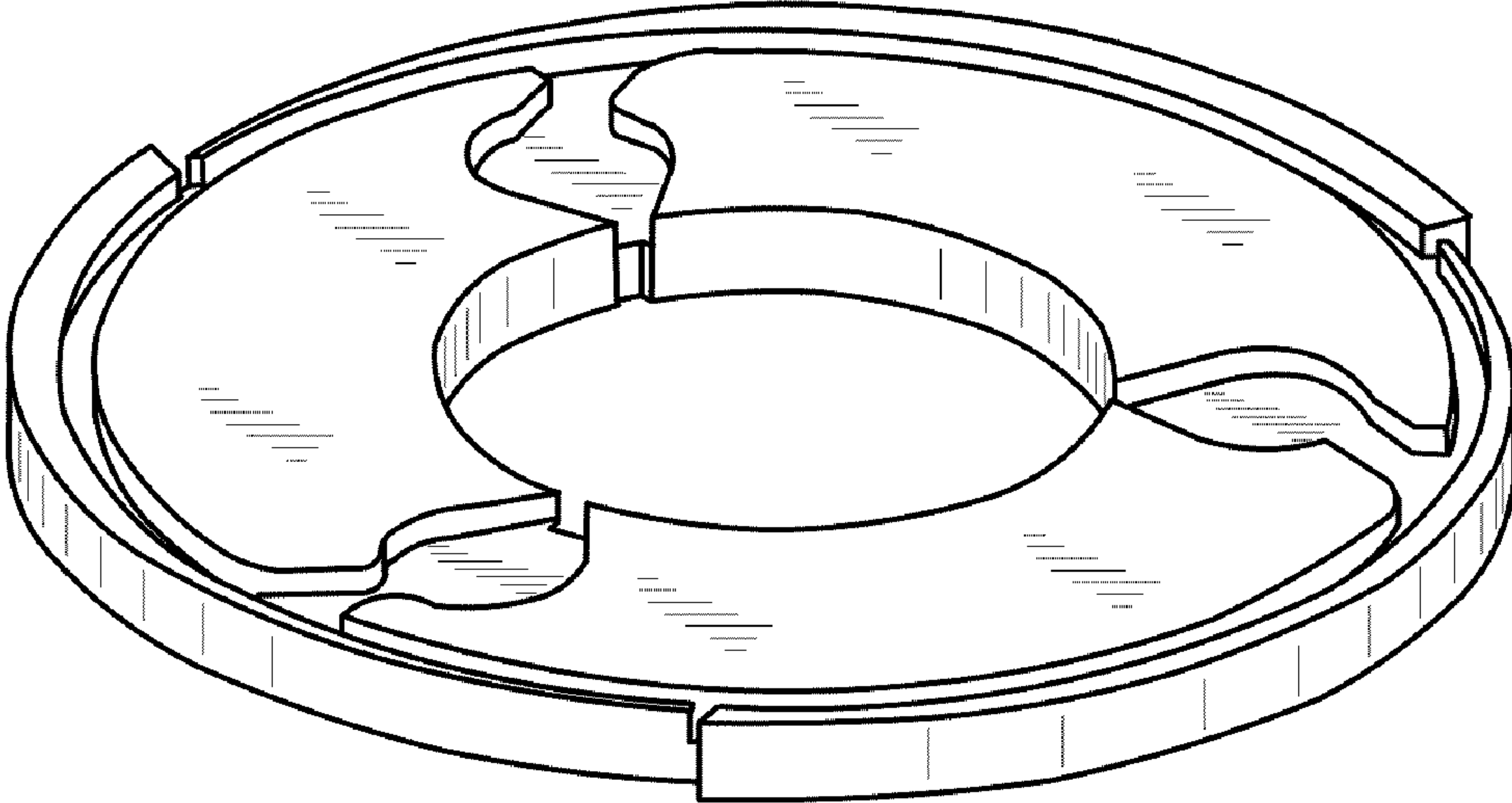
**1 Claim, 3 Drawing Sheets**

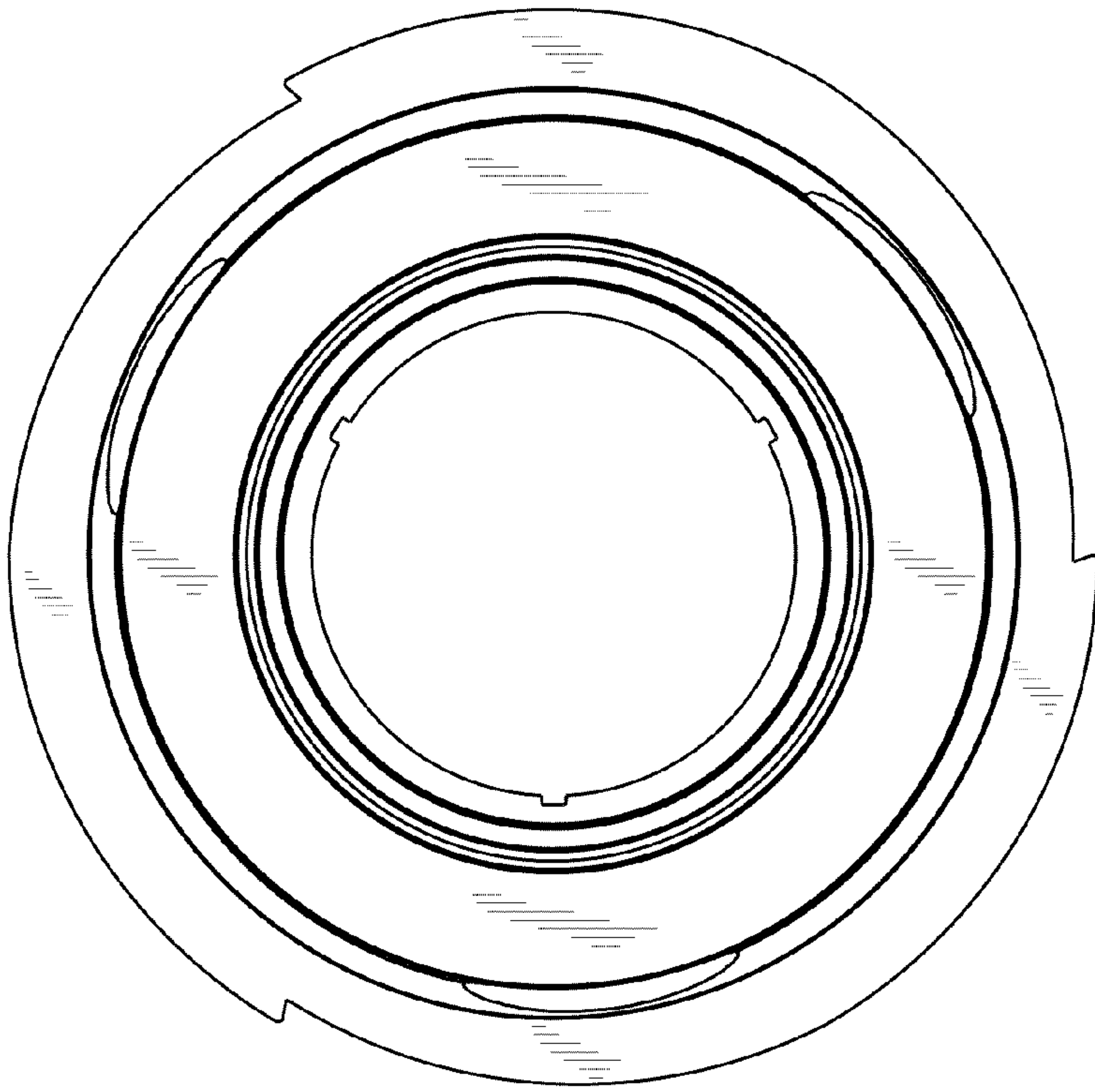


*FIG. 1*

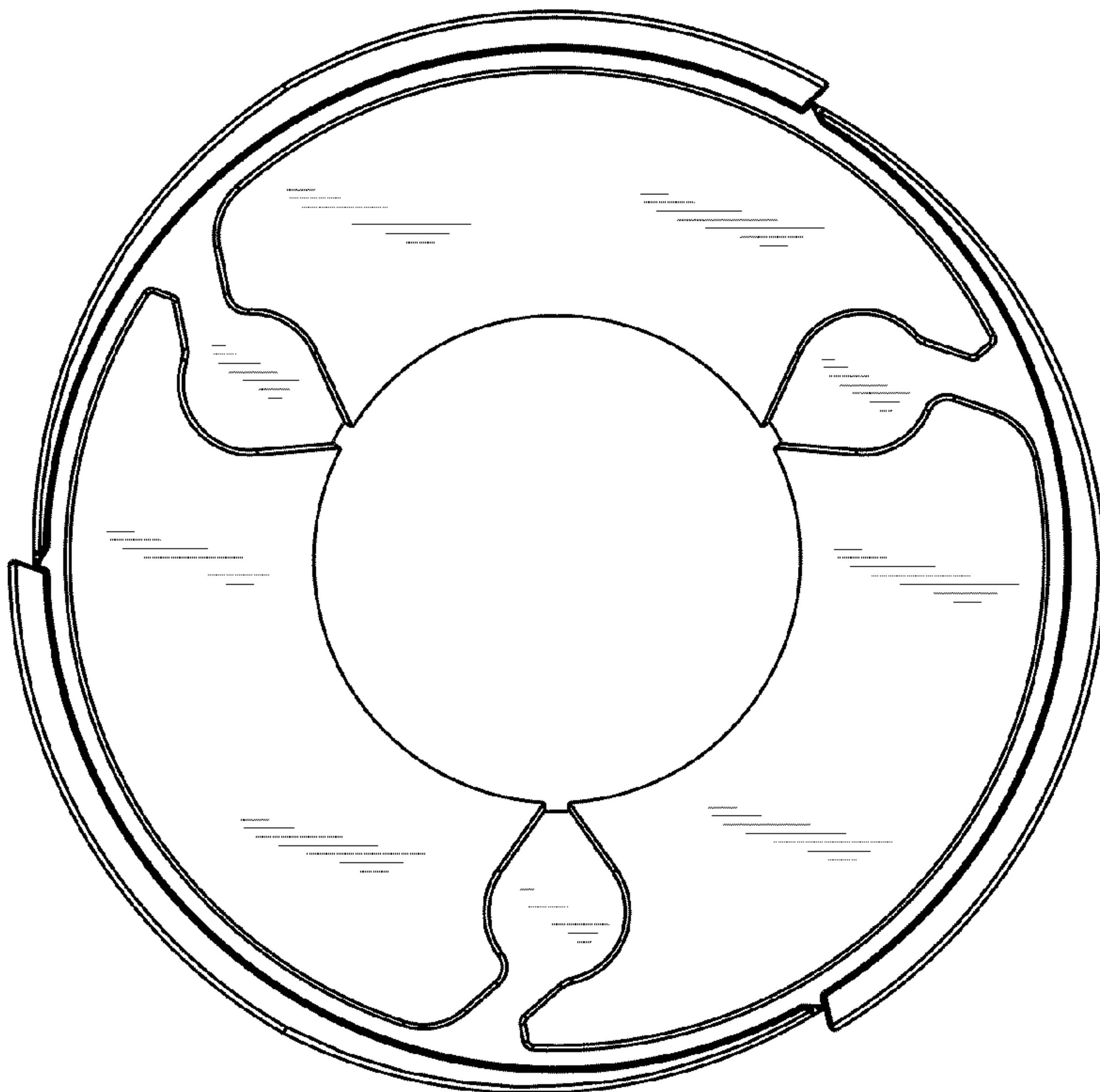


*FIG. 2*

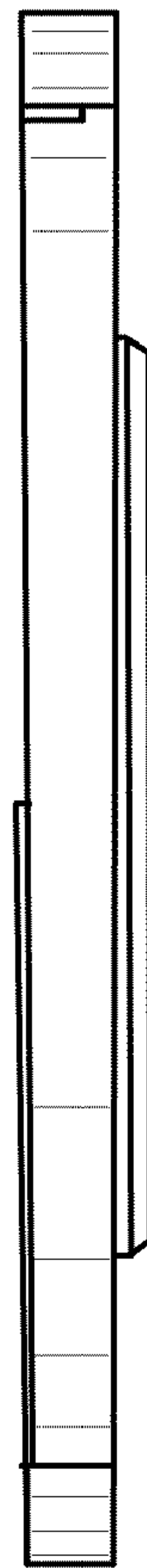




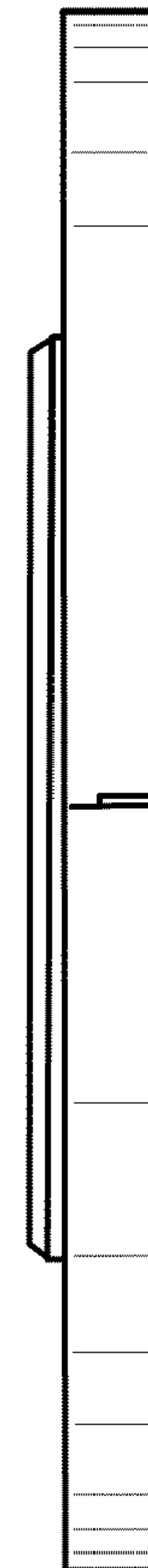
*FIG. 3*



*FIG. 4*



*FIG. 5*



*FIG. 6*



*FIG. 7*



*FIG. 8*