



US00D633180S

(12) **United States Design Patent**
Duong et al.

(10) **Patent No.:** **US D633,180 S**

(45) **Date of Patent:** **** Feb. 22, 2011**

(54) **SOLENOID VALVE**

D623,271 S * 9/2010 Yamada D23/233
D623,272 S * 9/2010 Cavagna D23/233

(75) Inventors: **Ha Van Duong**, Winchester, VA (US);
Vicky Ann Michael, Winchester, VA
(US)

* cited by examiner

Primary Examiner—Cathron C. Brooks
Assistant Examiner—Maurice Stevens

(73) Assignee: **Melnor, Inc.**, Winchester, VA (US)

(74) *Attorney, Agent, or Firm*—Westerman, Hattori, Daniels
& Adrian, LLP

(**) Term: **14 Years**

(57) **CLAIM**

(21) Appl. No.: **29/369,145**

The ornamental design for a solenoid valve, as shown and
described.

(22) Filed: **Sep. 2, 2010**

(51) **LOC (9) Cl.** **23-01**

(52) **U.S. Cl.** **D23/233**

(58) **Field of Classification Search** D23/207,
D23/209, 233–237, 244–249, 260; 137/625.64,
137/884; 251/15, 17, 129.15, 148, 152, 205,
251/208, 215, 236, 243, 309–312, 315.14,
251/904

See application file for complete search history.

DESCRIPTION

FIG. 1 is a perspective view of a solenoid valve;
FIG. 2 is a perspective view of the solenoid valve;
FIG. 3 is a right side view of the solenoid valve;
FIG. 4 is a left side view of the solenoid valve;
FIG. 5 is a top view of the solenoid valve;
FIG. 6 is a bottom view of the solenoid valve;
FIG. 7 is a back side view of the solenoid valve; and,
FIG. 8 is a front side view of the solenoid valve.

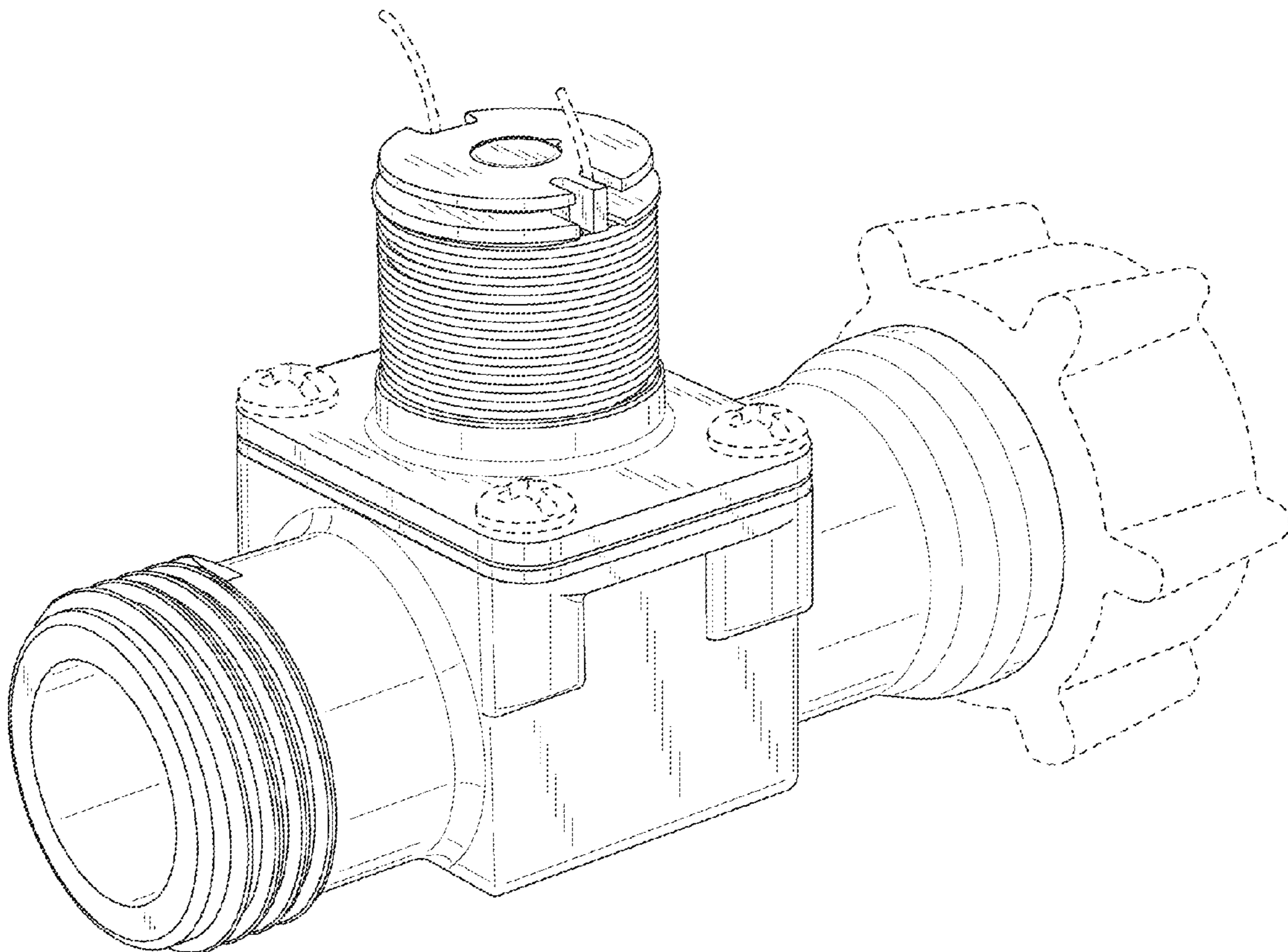
The broken line showing of unclaimed portions of a solenoid
valve form no part of the claimed design.

(56) **References Cited**

U.S. PATENT DOCUMENTS

D266,863 S * 11/1982 Mason D23/233
D429,518 S * 8/2000 Ferrer Beltran D23/233
D442,259 S * 5/2001 Takada et al. D23/233
D615,618 S * 5/2010 Someya D23/233

1 Claim, 7 Drawing Sheets



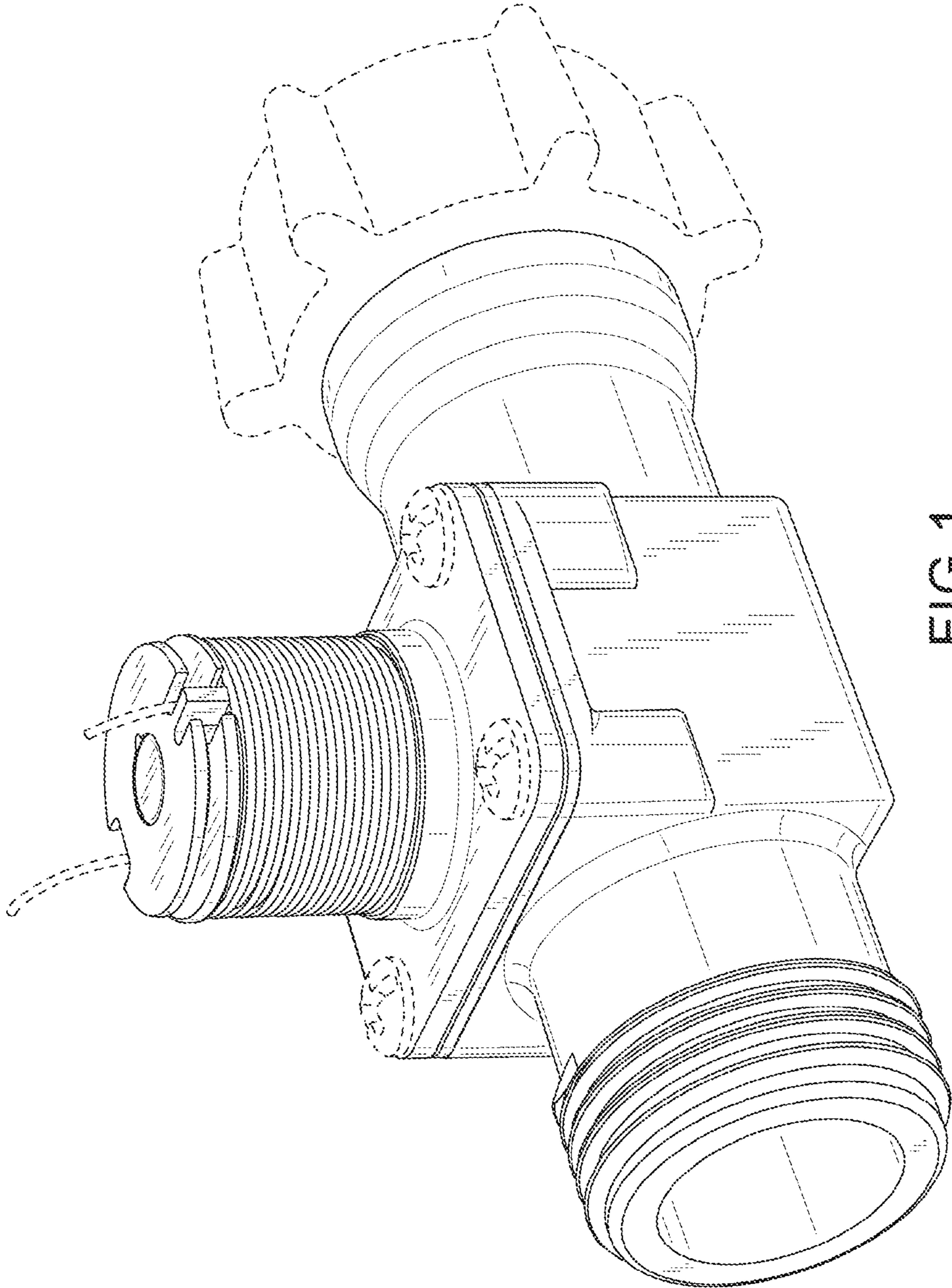


FIG.1

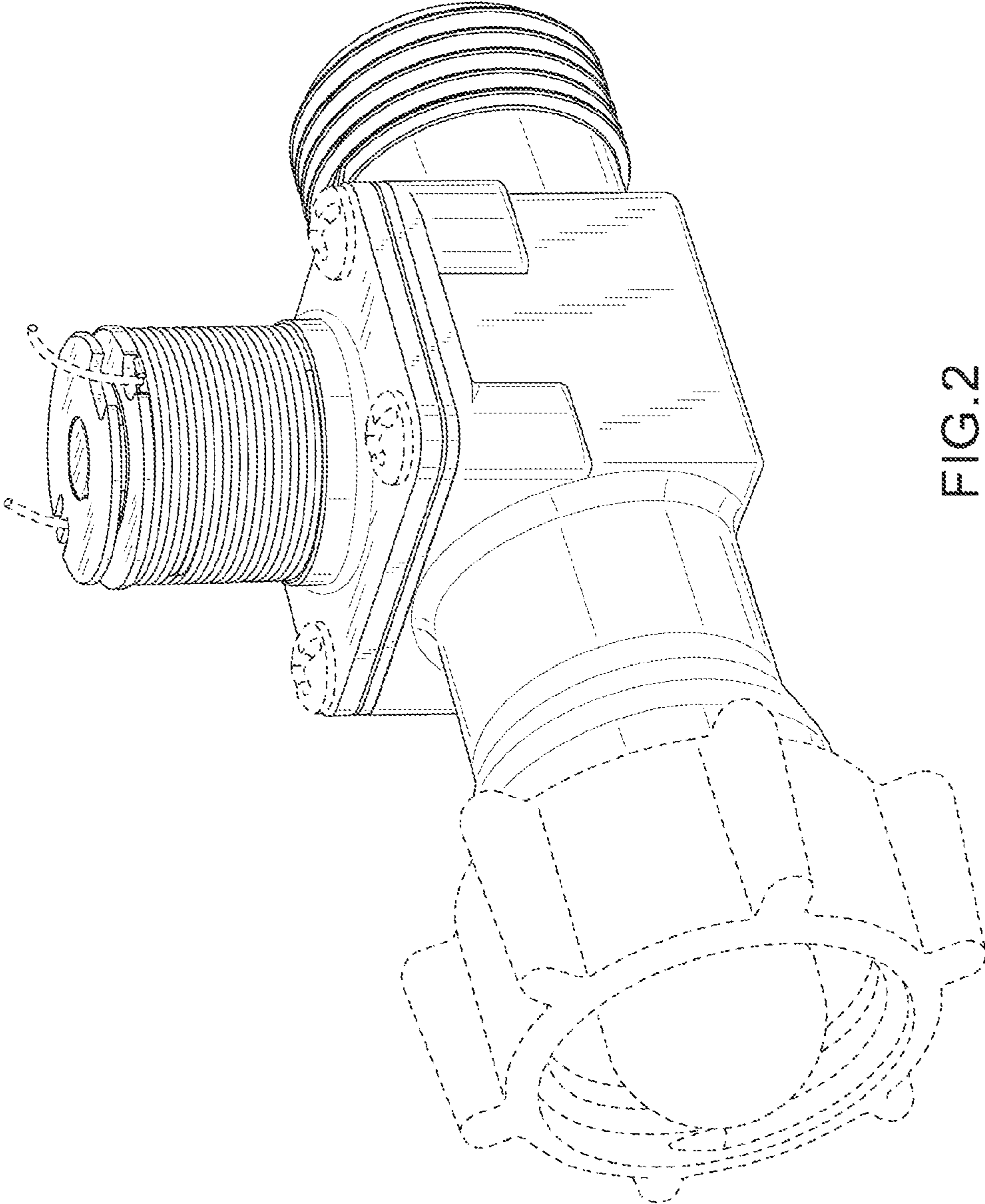


FIG.2

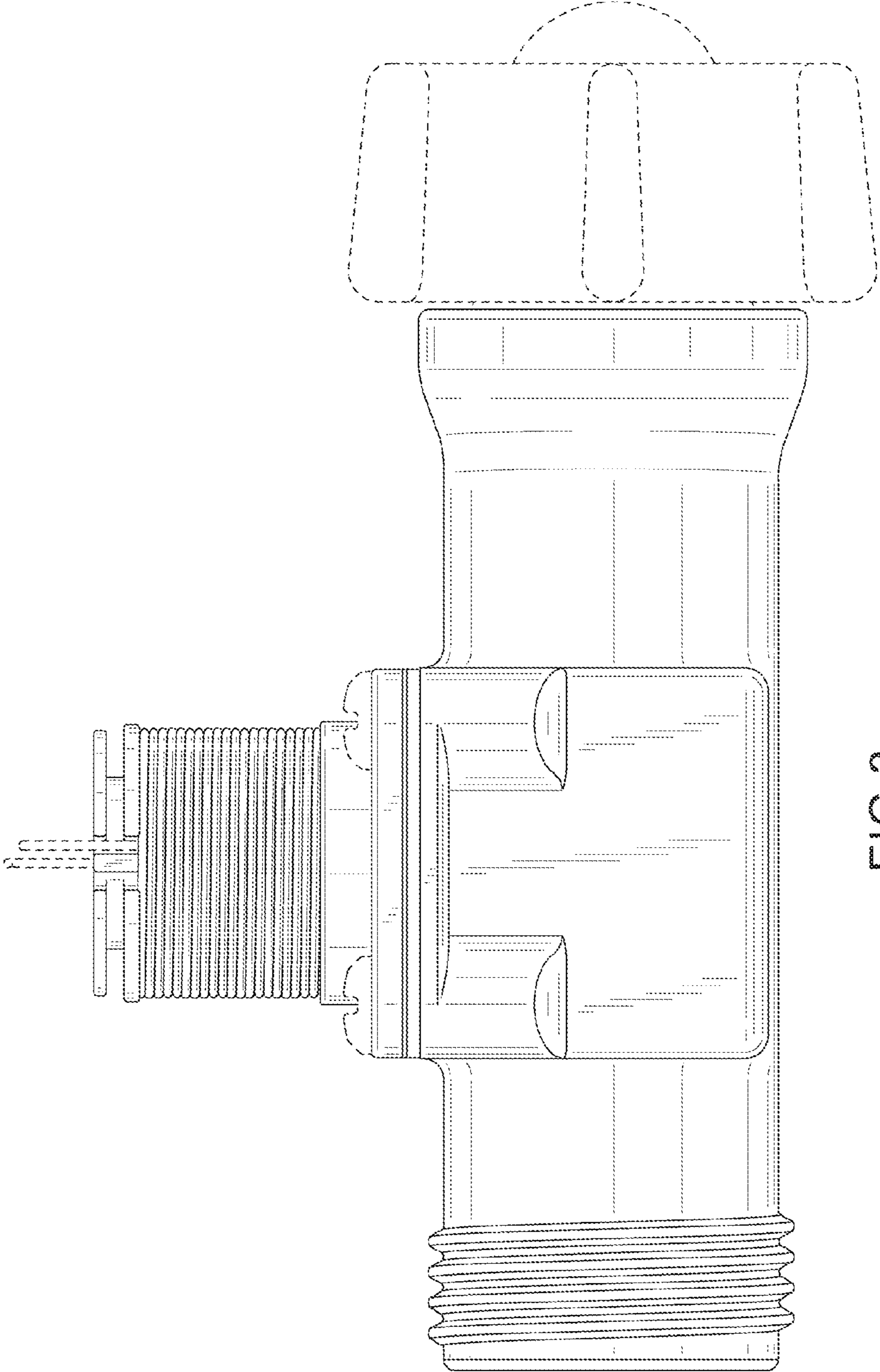


FIG. 3

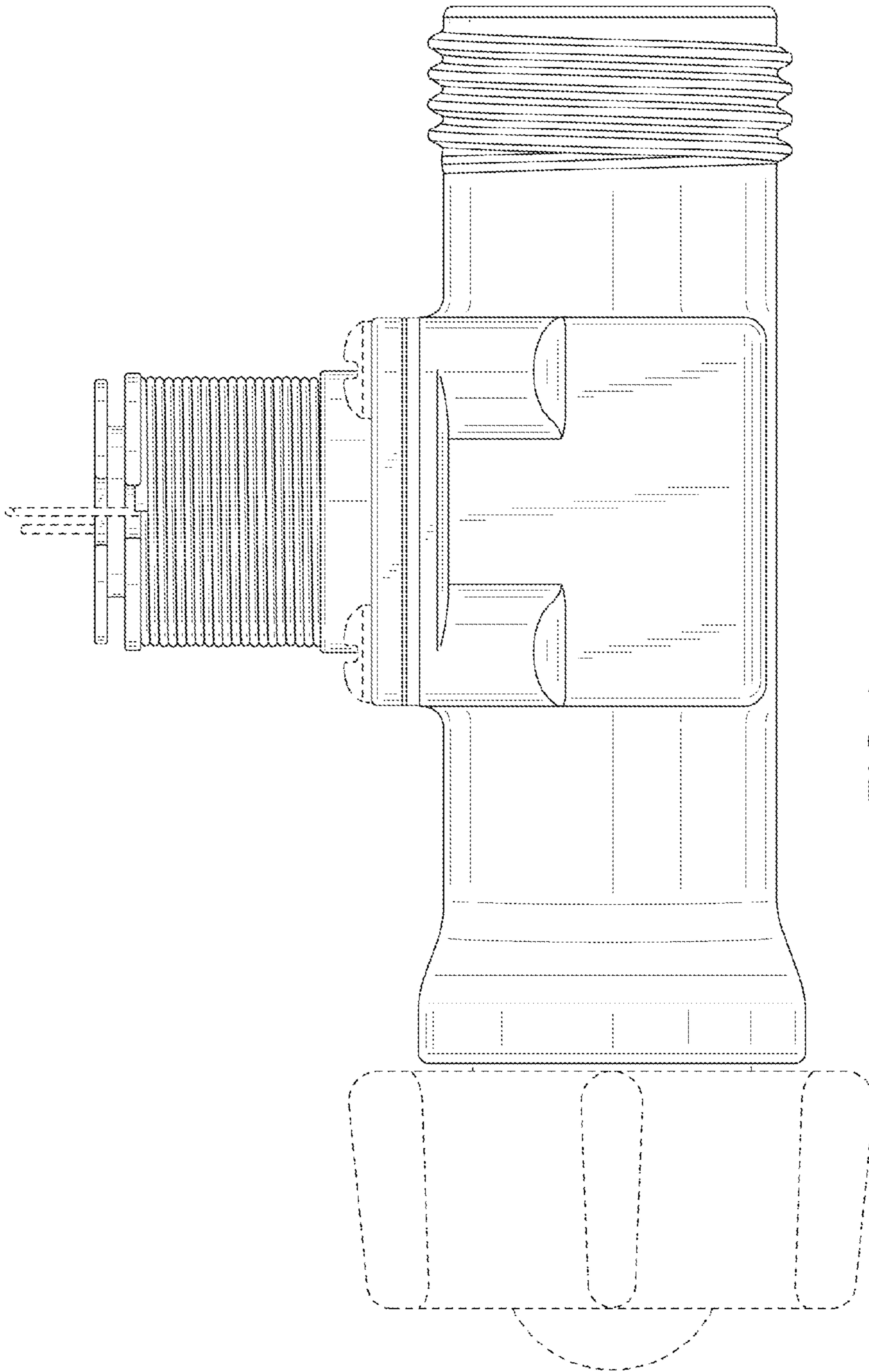


FIG. 4

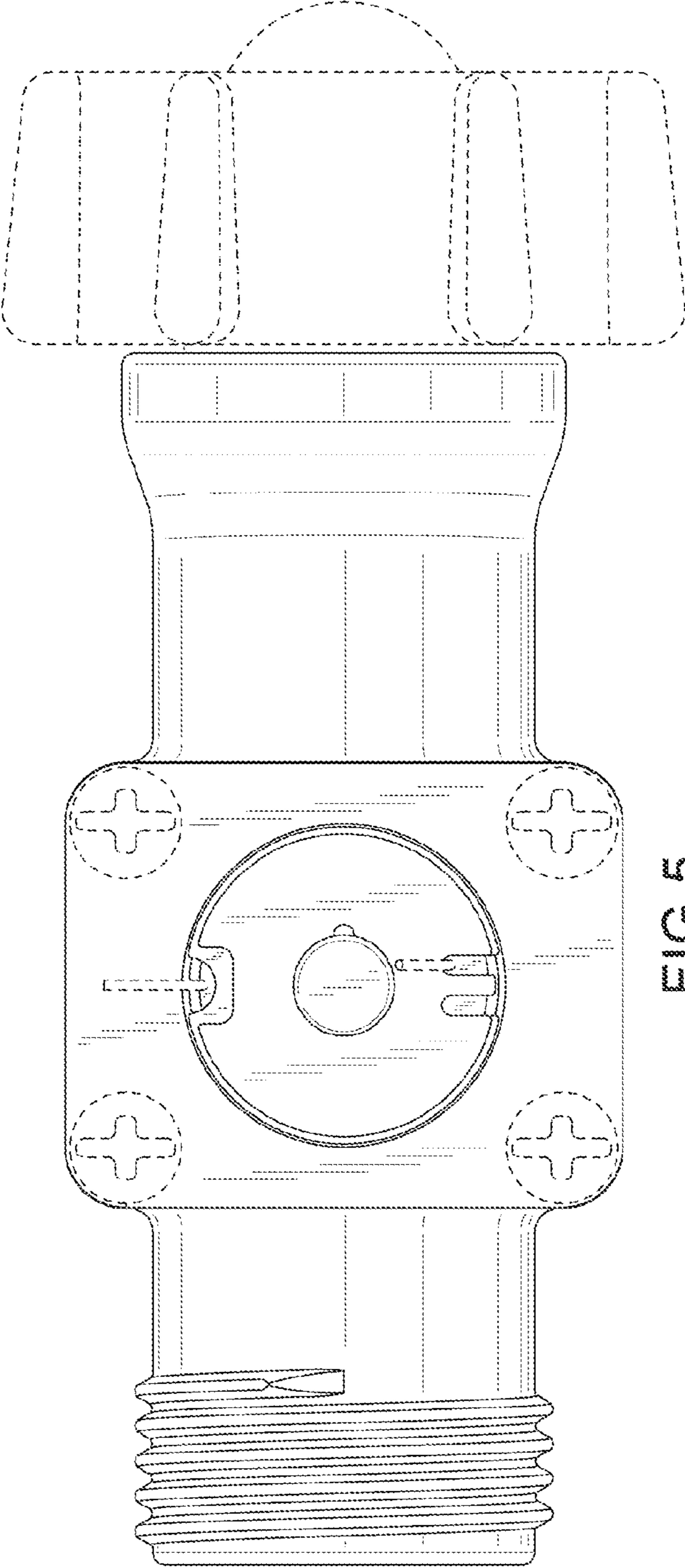


FIG. 5

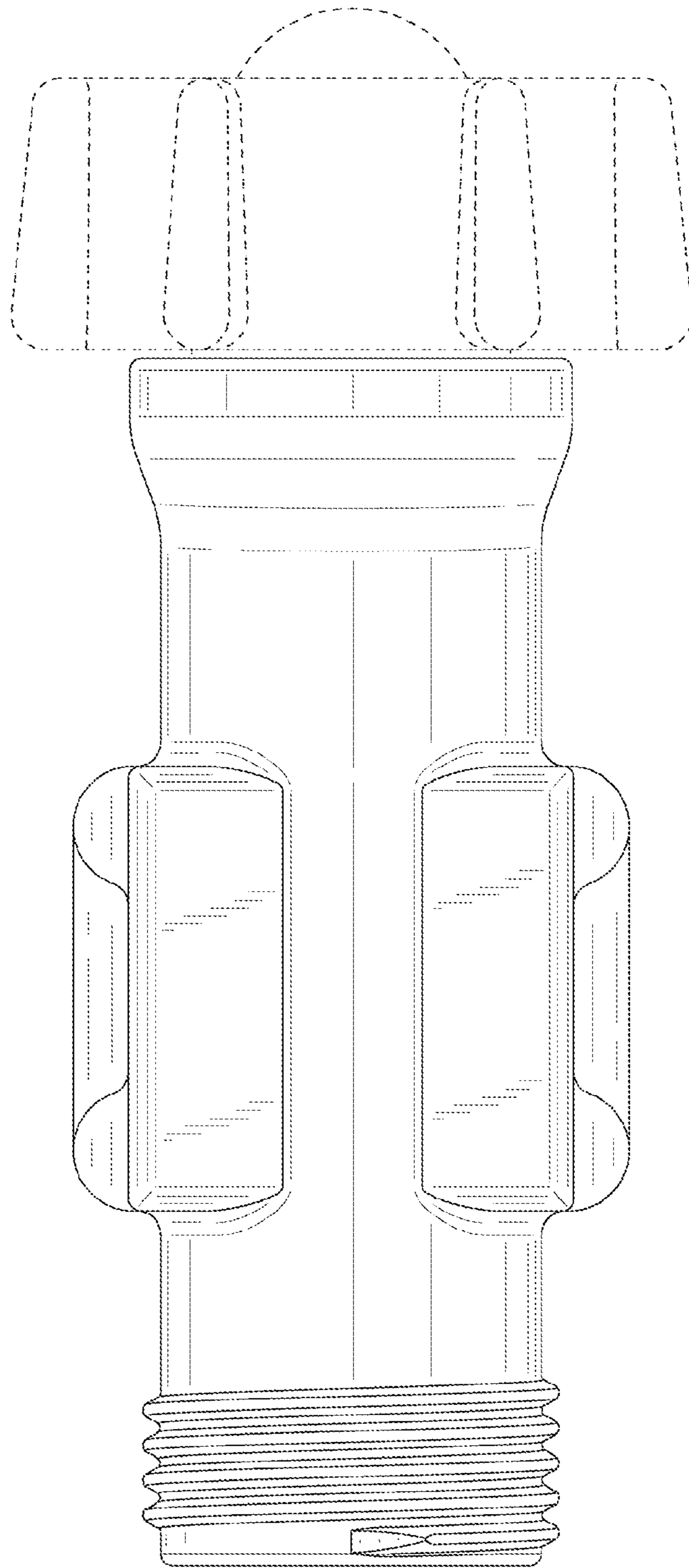


FIG. 6

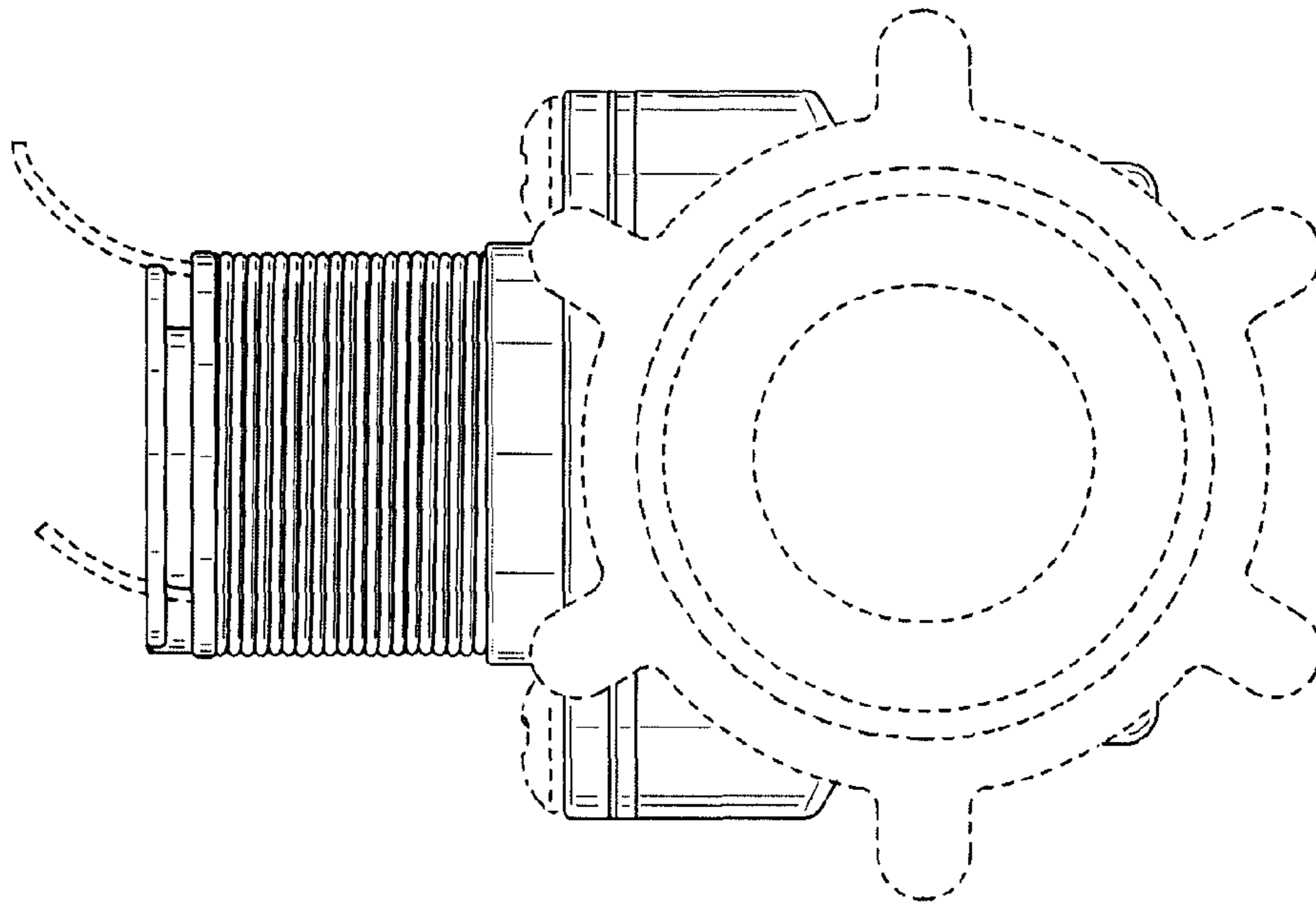


FIG. 8

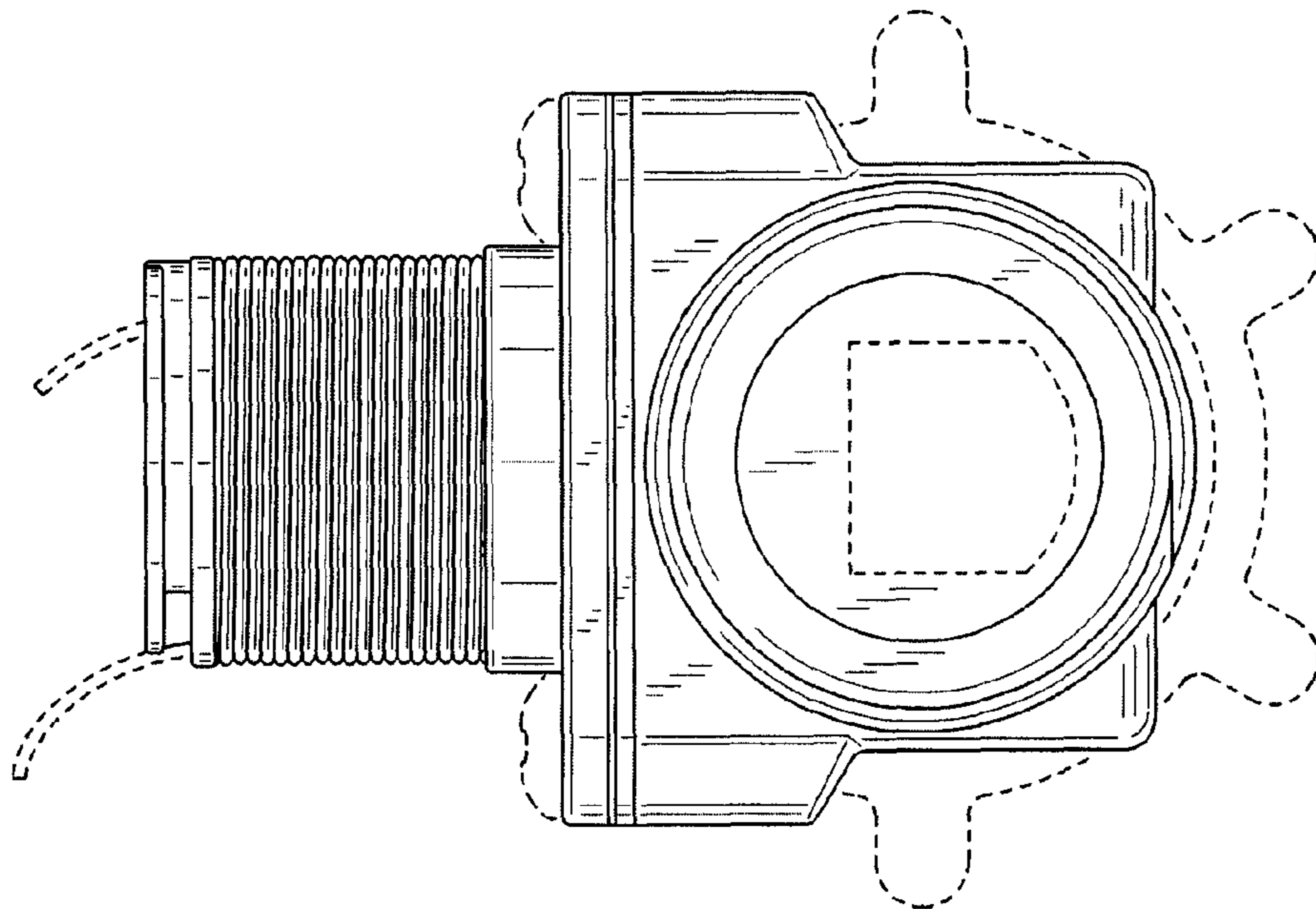


FIG. 7