



US00D633179S

(12) **United States Design Patent**
Geideman et al.

(10) **Patent No.:** **US D633,179 S**
(45) **Date of Patent:** **** Feb. 22, 2011**

(54) **VALVE HOUSING**

(75) Inventors: **Curt Matthew Geideman**, Strongsville, OH (US); **Ronny Lee Gray**, Rootstown, OH (US); **Mark S. Kacik**, Strongsville, OH (US); **Yaakov Korb**, Grafton, OH (US); **Todd C. Loschelder**, Macedonia, OH (US); **W. Randall Tucker**, Oberlin, OH (US)

3,680,592 A 8/1972 Hayman
3,794,074 A 2/1974 Watts
3,809,124 A 5/1974 Nelson
3,882,897 A 5/1975 Manoogian et al.
3,965,935 A 6/1976 Morisseau
4,043,359 A 8/1977 Christo
4,325,403 A 4/1982 Uhlmann
4,838,304 A 6/1989 Knapp

(73) Assignee: **Moen Incorporated**, North Olmsted, OH (US)

(**) Term: **14 Years**

(21) Appl. No.: **29/366,044**

(22) Filed: **Jul. 19, 2010**

Related U.S. Application Data

(60) Division of application No. 29/332,112, filed on Feb. 9, 2009, now Pat. No. Des. 620,081, which is a continuation of application No. 29/272,022, filed on Jan. 31, 2007, now abandoned.

(51) **LOC (9) Cl.** **23-01**

(52) **U.S. Cl.** **D23/233**

(58) **Field of Classification Search** D23/233–250, D23/259; D8/300, 307, 310, 312, DIG. 2, D8/DIG. 3; 210/498, 499; 405/40–46; 137/140, 137/636.3, 636.2, 625.4, 625.41, 625.17
See application file for complete search history.

(56) **References Cited**

U.S. PATENT DOCUMENTS

D194,787 S * 3/1963 Chadwick D13/179
D197,926 S * 4/1964 Stull D9/446
3,369,566 A 2/1968 Schmitt et al.
3,415,281 A 12/1968 Perlman
3,435,849 A 4/1969 Von Corpon
3,526,250 A 9/1970 Miller
3,570,538 A 3/1971 Von Corpon
3,623,510 A 11/1971 Hare et al.
D223,798 S * 6/1972 Jensen et al. D8/312

(Continued)

Primary Examiner—Cathron C. Brooks

Assistant Examiner—Maurice Stevens

(74) *Attorney, Agent, or Firm*—Calfee, Halter & Griswold LLP

(57) **CLAIM**

The ornamental design for a valve housing, as shown and described.

DESCRIPTION

FIG. 1 is a perspective view of a valve housing of the new design;

FIG. 2 is a front elevational view of the valve housing of FIG. 1;

FIG. 3 is a rear elevational view of the valve housing of FIG. 1;

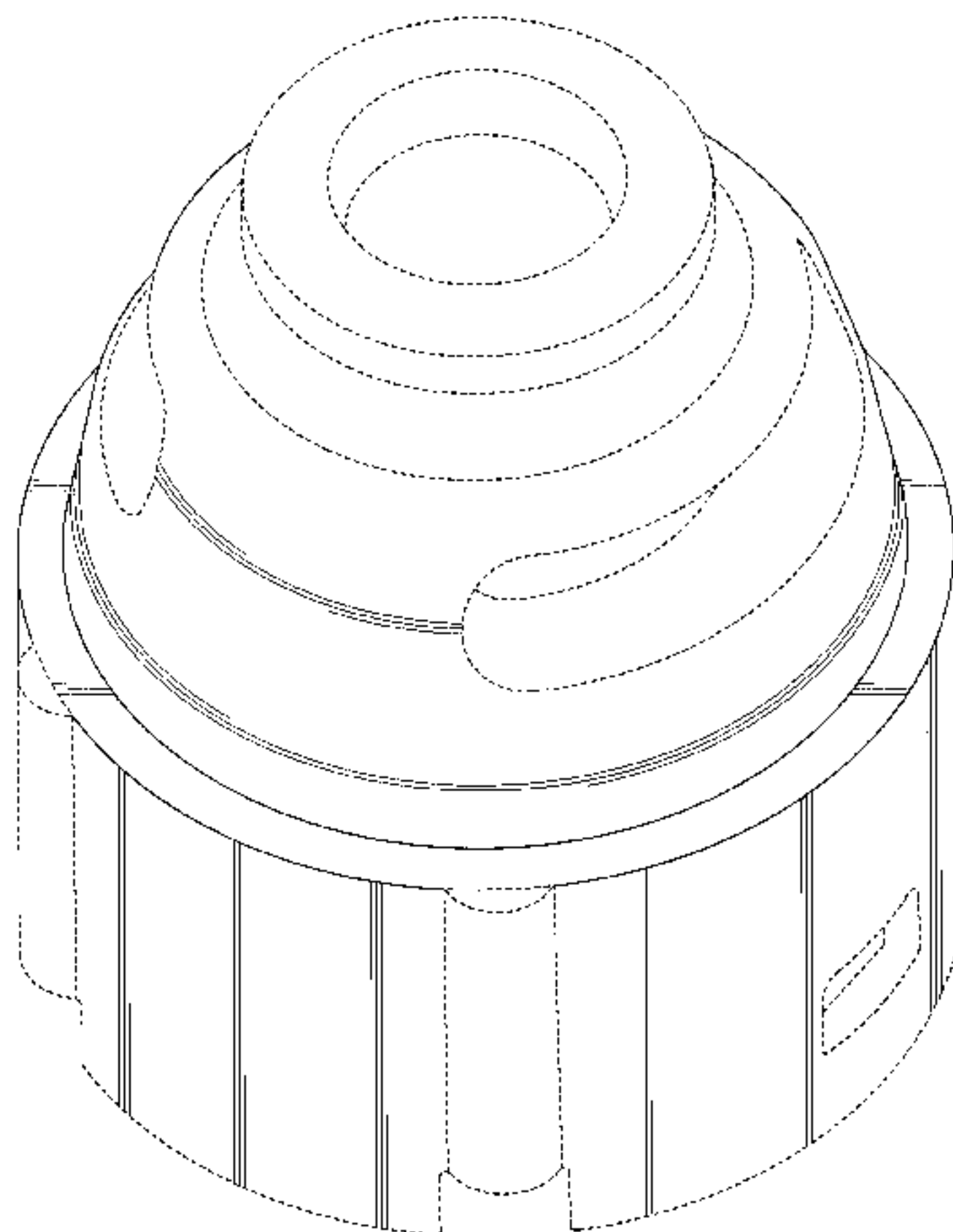
FIG. 4 is a left side elevational view of the valve housing of FIG. 1;

FIG. 5 is a right side elevational view of the valve housing of FIG. 1; and,

FIG. 6 is a top plan view of the valve housing of FIG. 1.

The portions of the Figures shown in broken lines are not part of the claimed design and are for illustration only.

1 Claim, 4 Drawing Sheets



US D633,179 S

Page 2

U.S. PATENT DOCUMENTS

5,018,553	A	5/1991	Grassberger et al.				
5,040,566	A	8/1991	Orlandi				
5,095,934	A	3/1992	Iqbal				
5,375,624	A	12/1994	Knapp				
5,386,852	A *	2/1995	Bosio	137/625.17			
D385,336	S *	10/1997	Kolada et al.	D23/250			
D409,287	S *	5/1999	Hansen	D23/248			
5,899,230	A *	5/1999	Orlandi	137/625.17			
5,967,184	A *	10/1999	Chang	137/625.17			
6,209,581	B1 *	4/2001	Gyozo	137/625.4			
D442,267	S *	5/2001	Kouda	D23/262			
6,321,789	B1 *	11/2001	Chen	137/625.17			
6,644,619	B2 *	11/2003	Friesenhahn et al.	251/11			
6,920,899	B2	7/2005	Haenlein et al.				
7,032,272	B2	4/2006	Haenlein				
D526,701	S *	8/2006	Grether	D23/249			
7,137,410	B2	11/2006	Rosko				
D550,333	S *	9/2007	Bamberger et al.	D23/259			
D575,377	S *	8/2008	Roman	D23/259			
D576,704	S *	9/2008	Gilcher	D23/233			
D620,081	S *	7/2010	Geideman et al.	D23/233			

* cited by examiner

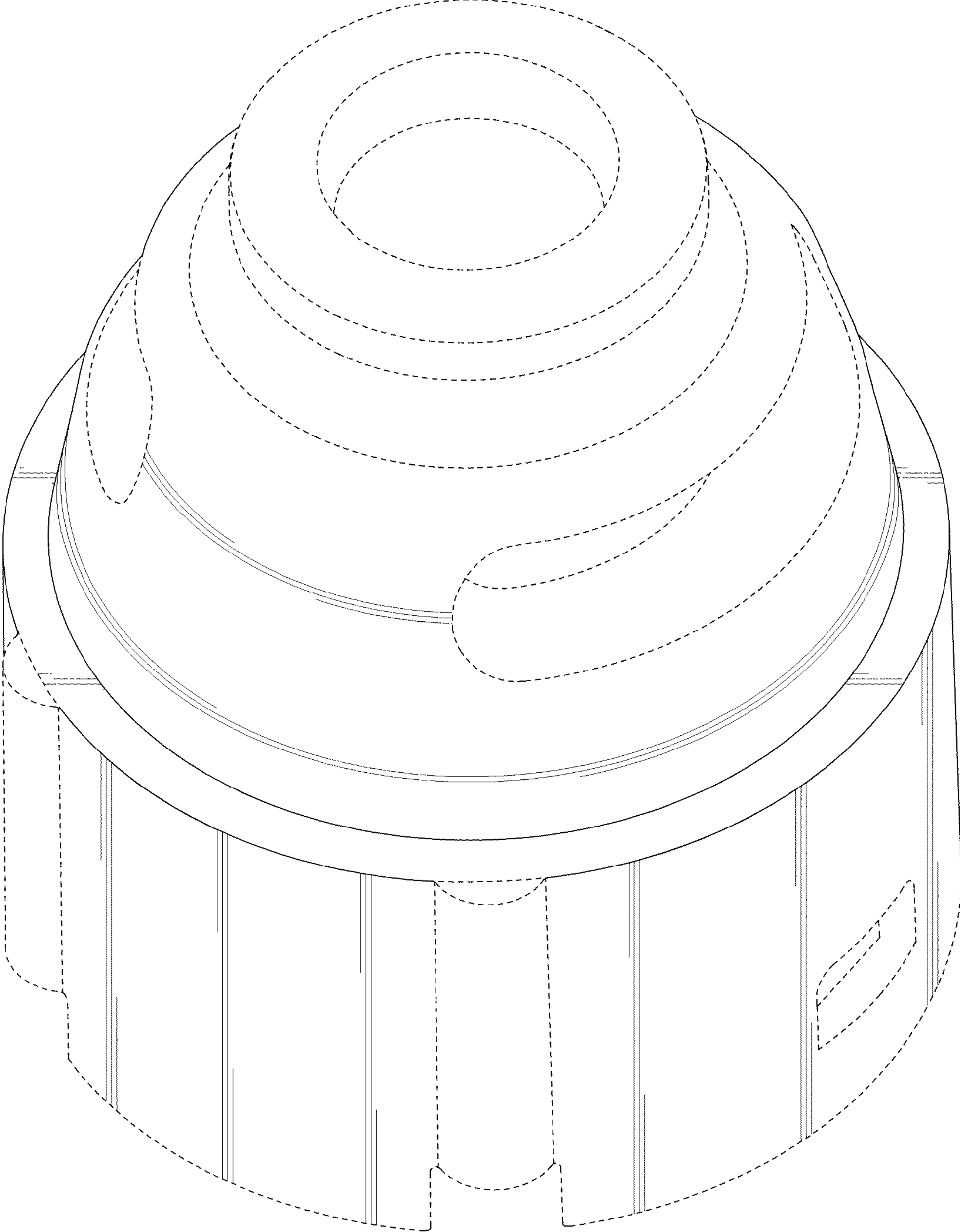


FIG. 1

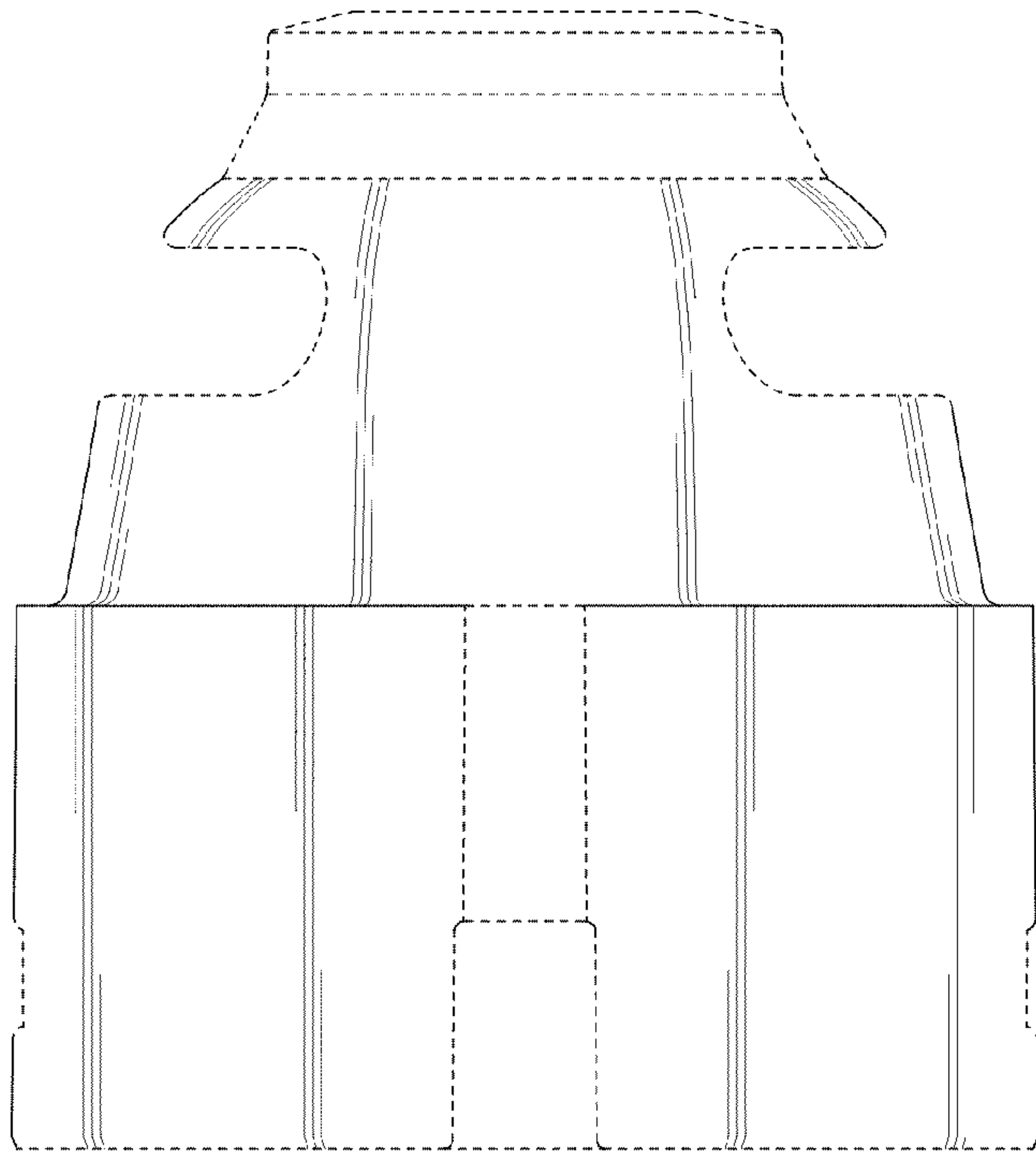


FIG. 2

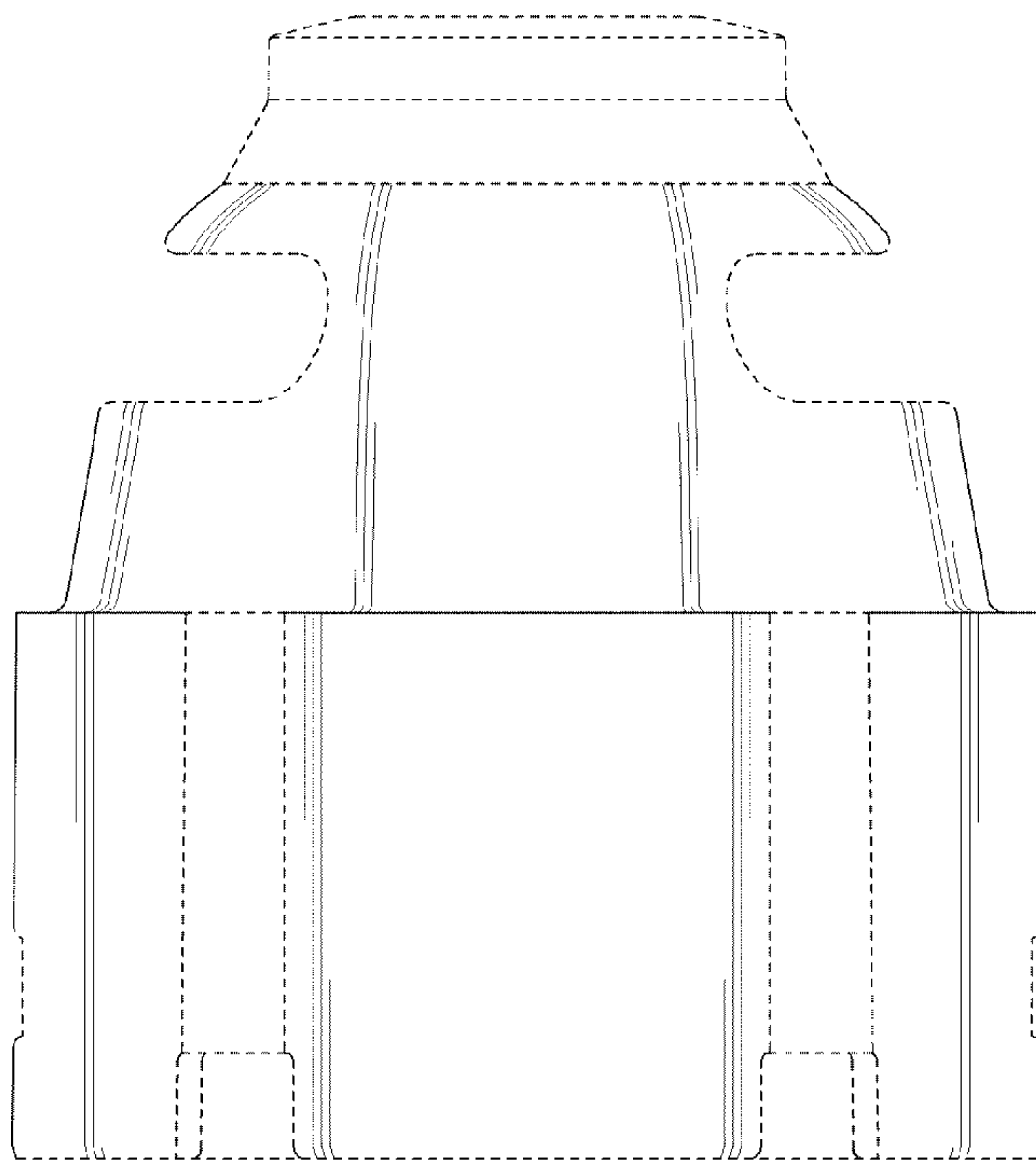


FIG. 3

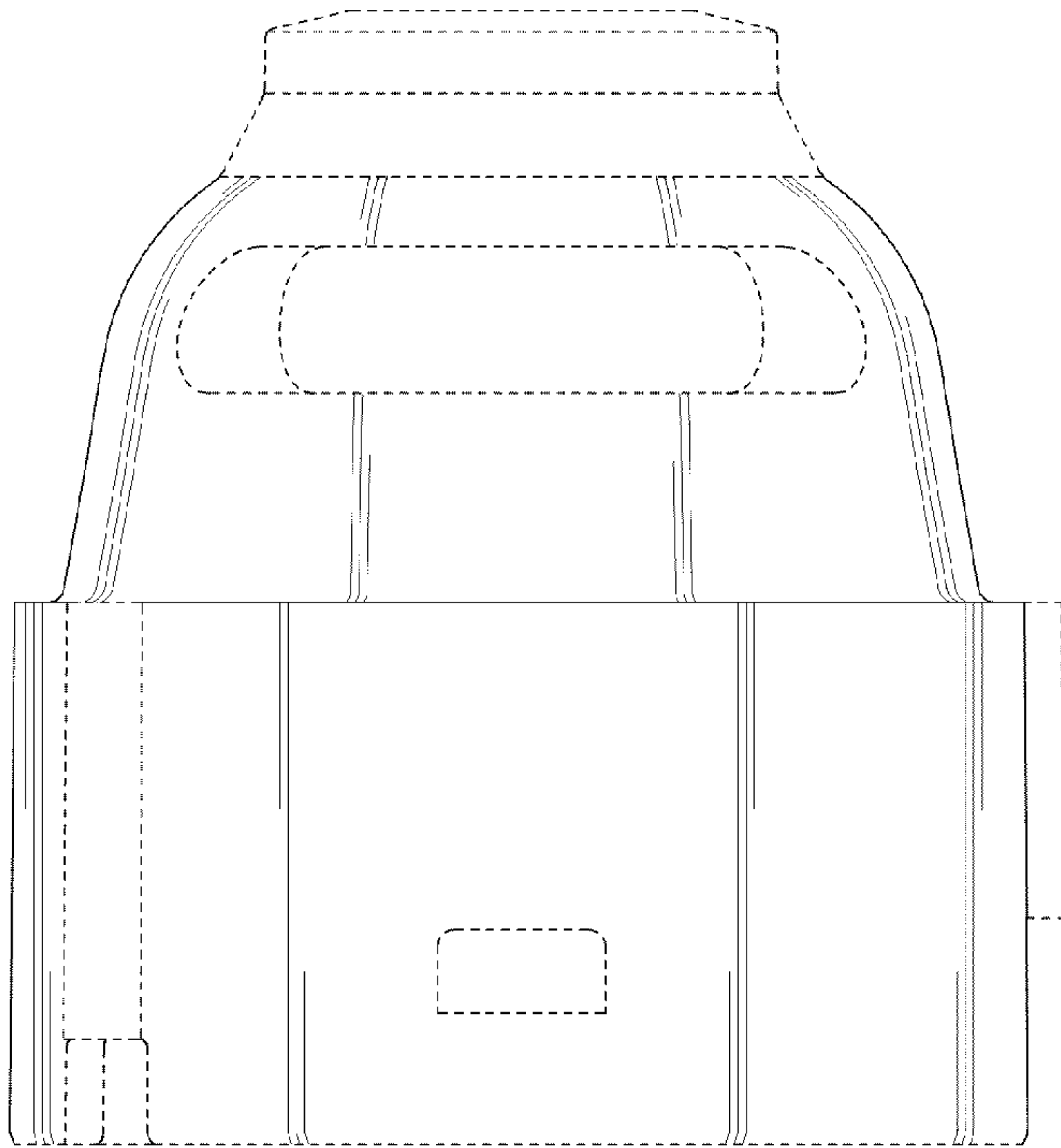


FIG. 4

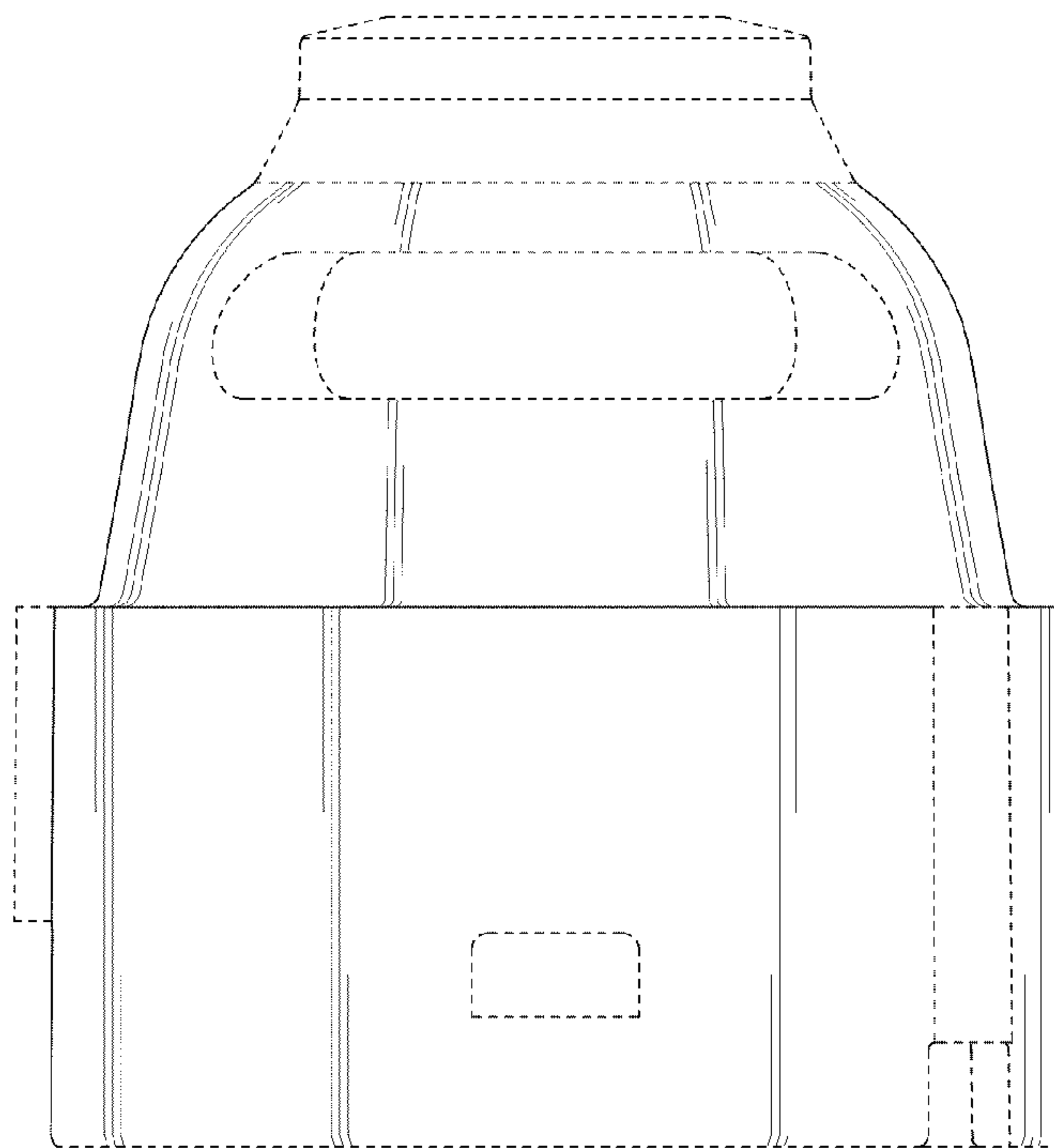


FIG. 5

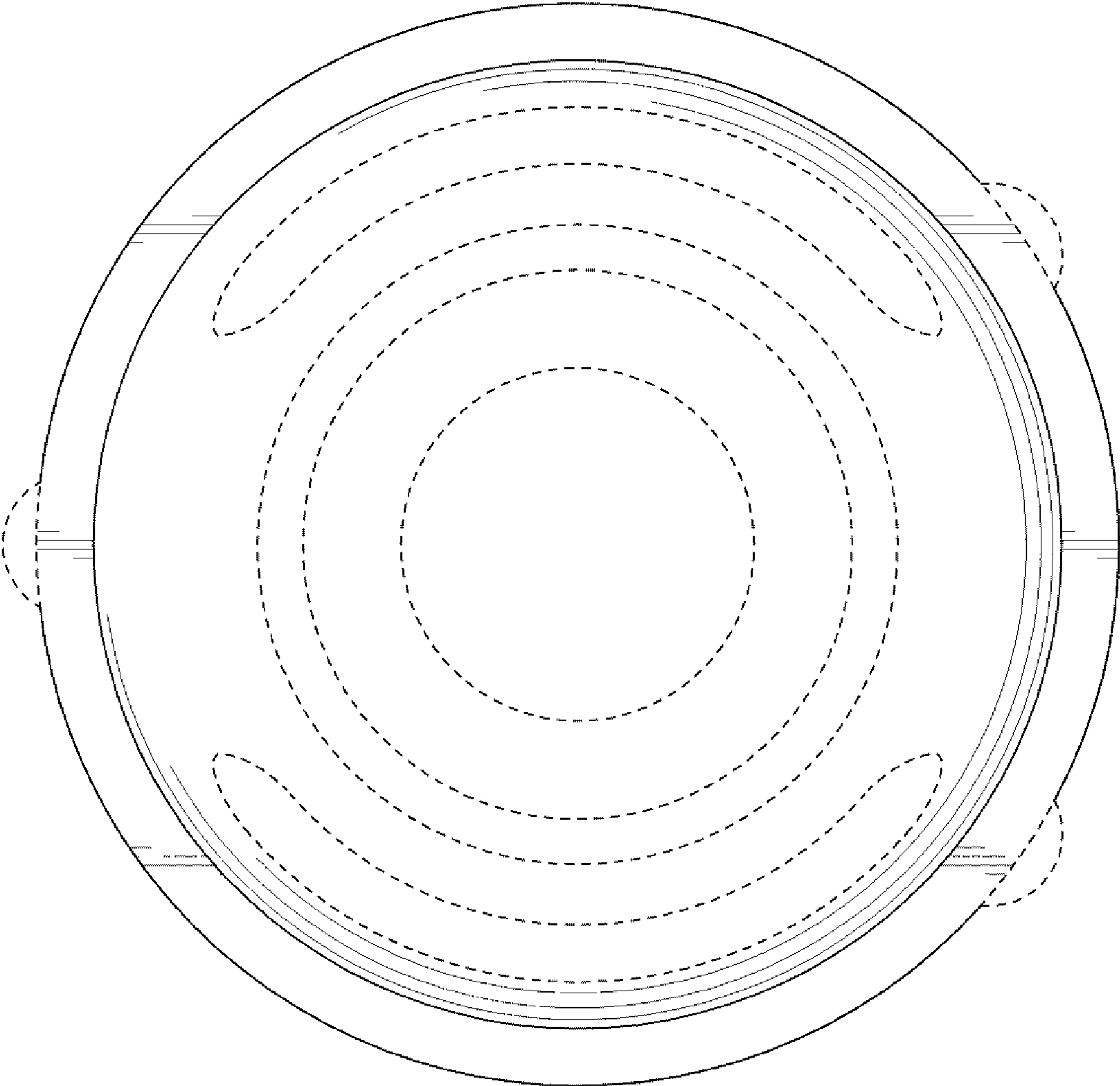


FIG. 6