



US00D633178S

(12) **United States Design Patent**
Smith et al.

(10) **Patent No.:** **US D633,178 S**

(45) **Date of Patent:** **** Feb. 22, 2011**

(54) **VALVE BLOCK**

(75) Inventors: **William E. Smith**, Land O' Lakes, FL (US); **Roberto Nevarez**, Hudson, FL (US); **Harry Edward Wing**, Midland, MI (US)

(73) Assignee: **Enodis Corporation**, New Port Richey, FL (US)

(**) Term: **14 Years**

(21) Appl. No.: **29/364,672**

(22) Filed: **Jun. 25, 2010**

(51) **LOC (9) Cl.** **23-01**

(52) **U.S. Cl.** **D23/233**

(58) **Field of Classification Search** D23/233,
D23/235, 238, 245, 255; D7/300, 308, 313,
D7/387, 397, 398; D9/434, 435, 440, 447;
222/185.1, 566; 99/275

See application file for complete search history.

(56) **References Cited**

U.S. PATENT DOCUMENTS

D581,212 S *	11/2008	Macler	D7/398
D591,151 S *	4/2009	Freeman	D9/447
D607,087 S *	12/2009	Bobby et al.	D23/233
D609,305 S *	2/2010	Riendeau	D23/233
D617,875 S *	6/2010	Bobby et al.	D23/233
D620,082 S *	7/2010	Bobby et al.	D23/233
D622,350 S *	8/2010	Gramegna et al.	D23/233

* cited by examiner

Primary Examiner—Cathron C. Brooks

Assistant Examiner—Maurice Stevens

(74) *Attorney, Agent, or Firm*—Ohlandt, Greeley, Ruggiero & Perle, L.L.P

(57) **CLAIM**

The ornamental design for a valve block, as shown and described.

DESCRIPTION

FIG. 1 is a top perspective view of a valve block of the present disclosure;

FIG. 2 is a bottom perspective view of the valve block of FIG. 1;

FIG. 3 is a front view of the valve block of FIG. 1;

FIG. 4 is a rear view of the valve block of FIG. 1;

FIG. 5 is a first side view of the valve block of FIG. 1;

FIG. 6 is a second side view of the valve block of FIG. 1;

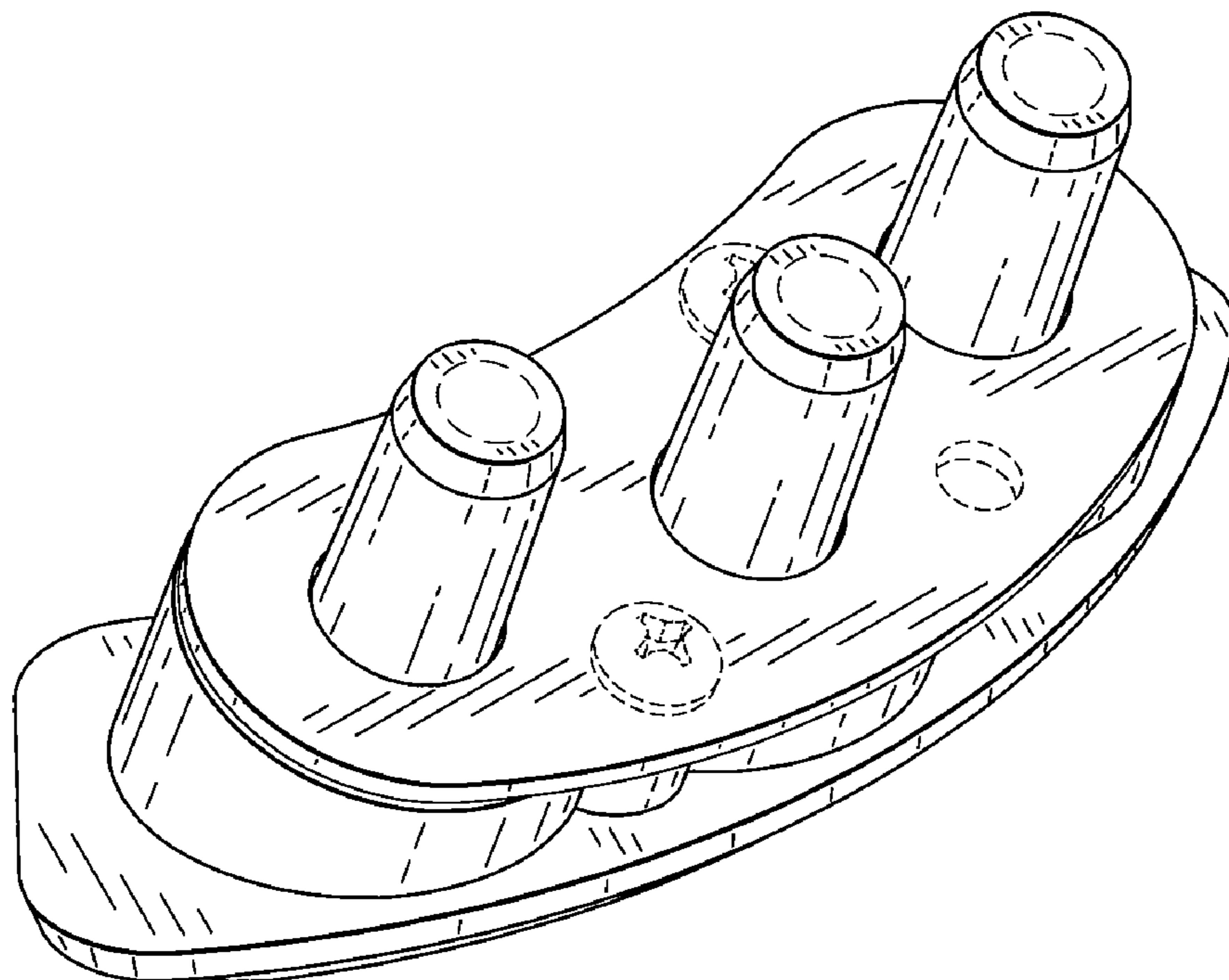
FIG. 7 is a top view of the valve block of FIG. 1;

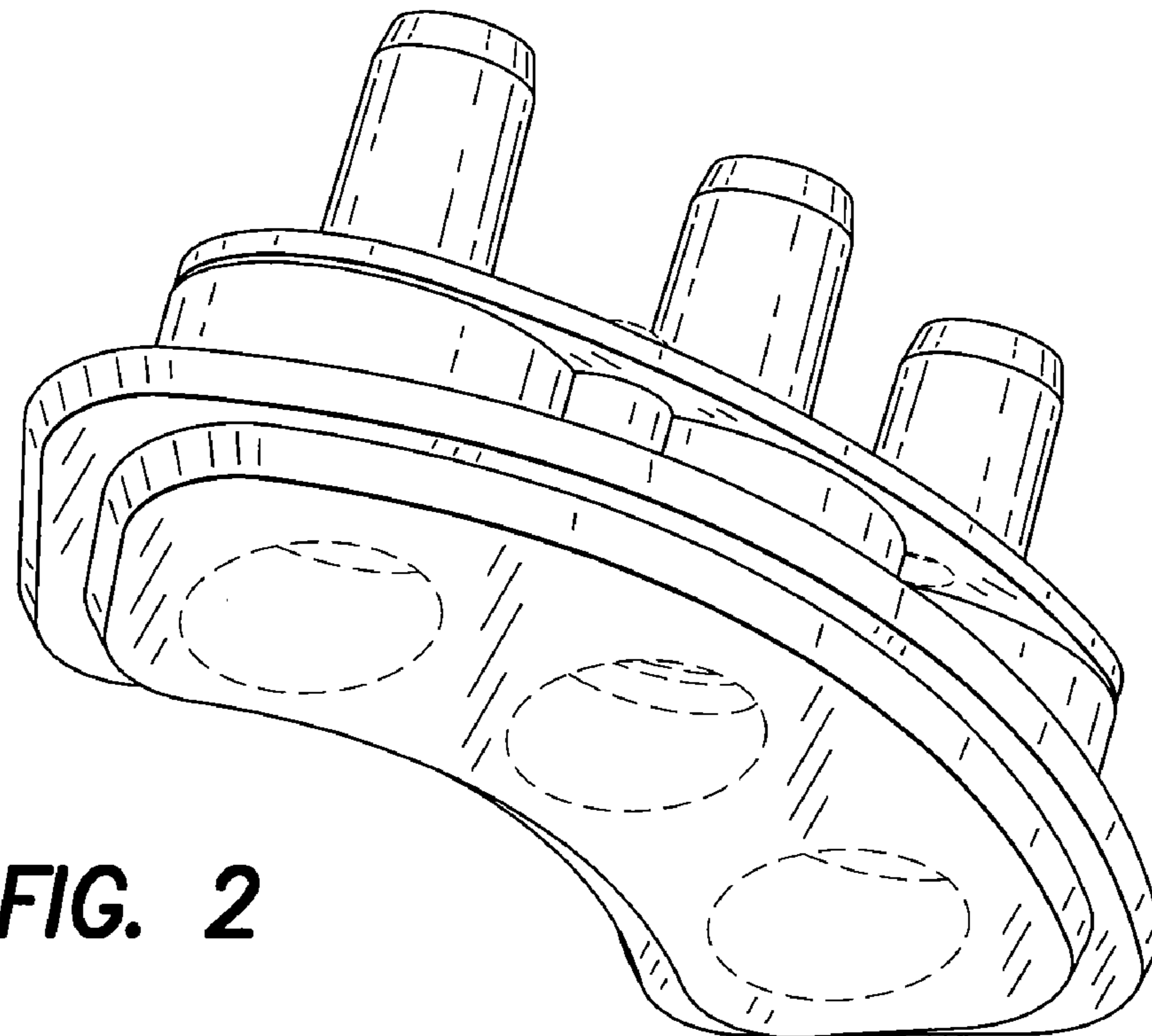
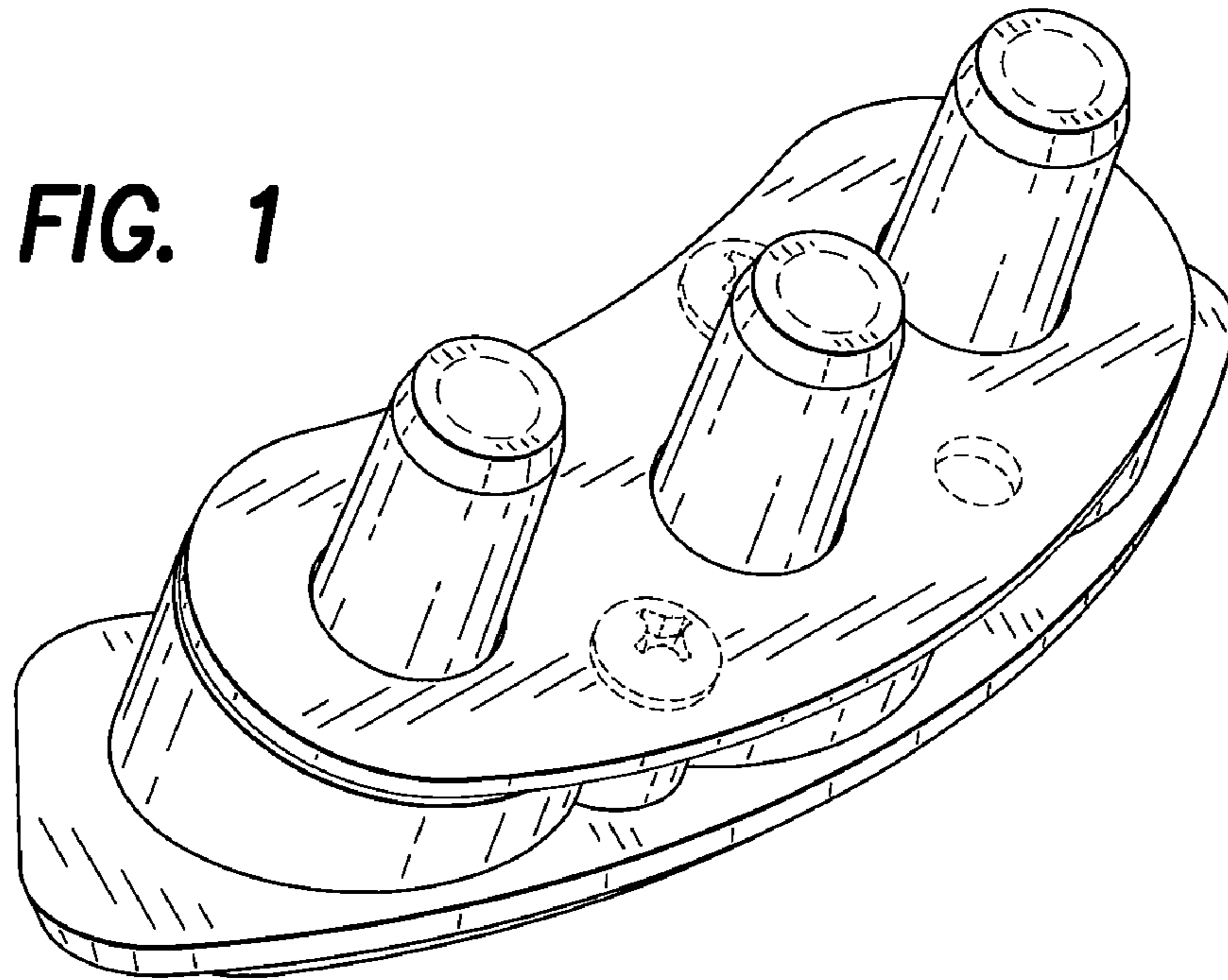
FIG. 8 is a bottom view of the valve block of FIG. 1; and,

FIG. 9 is a top perspective view of the valve block of FIG. 1 in use.

The broken lines shown in the drawings are directed to environmental structure or boundaries and are for illustrative purposes only; the broken lines form no part of the claimed design.

1 Claim, 5 Drawing Sheets





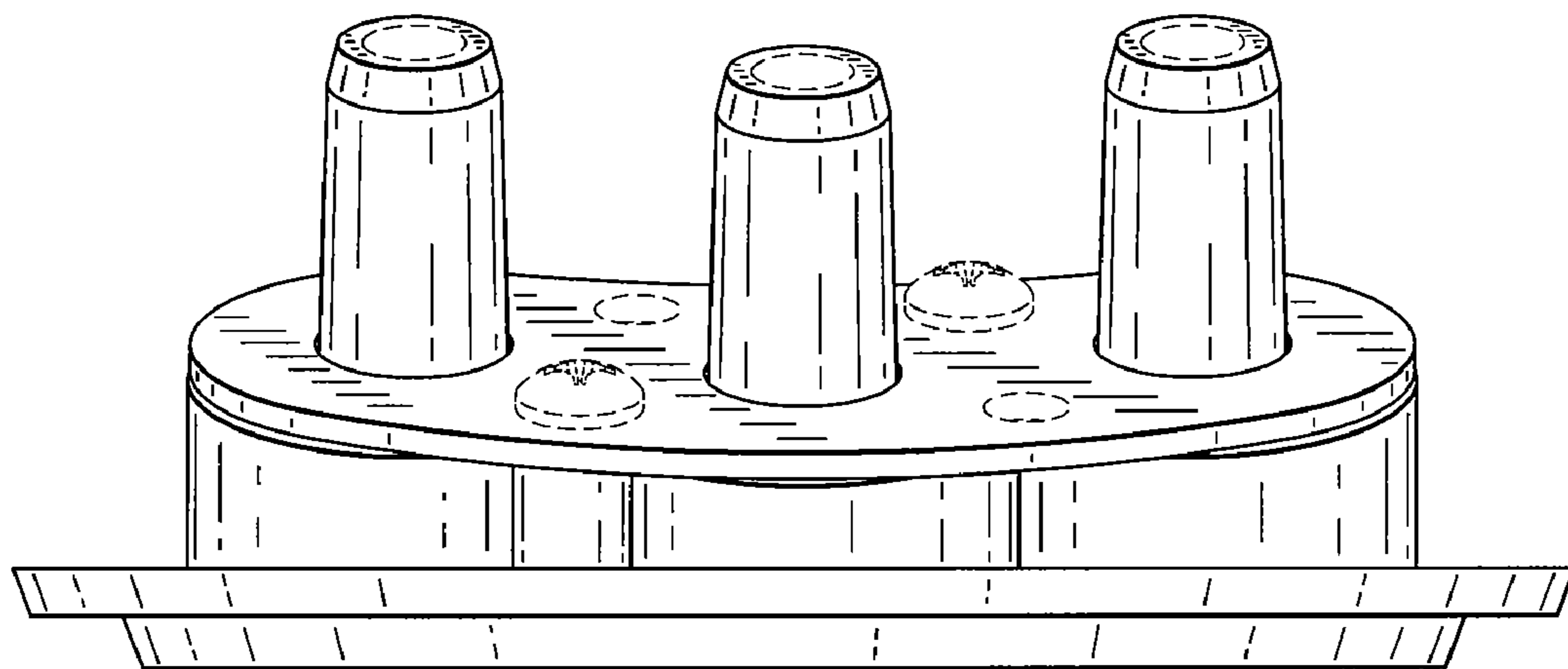


FIG. 3

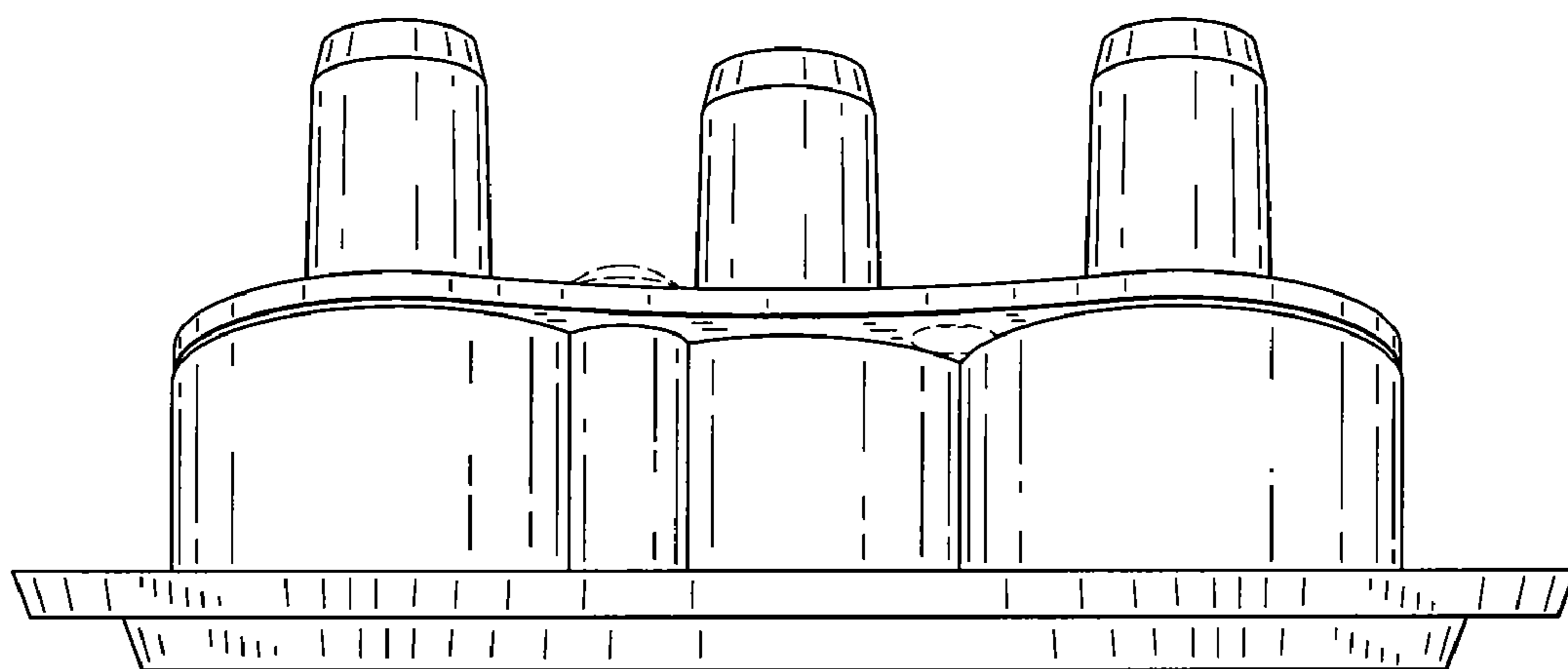


FIG. 4

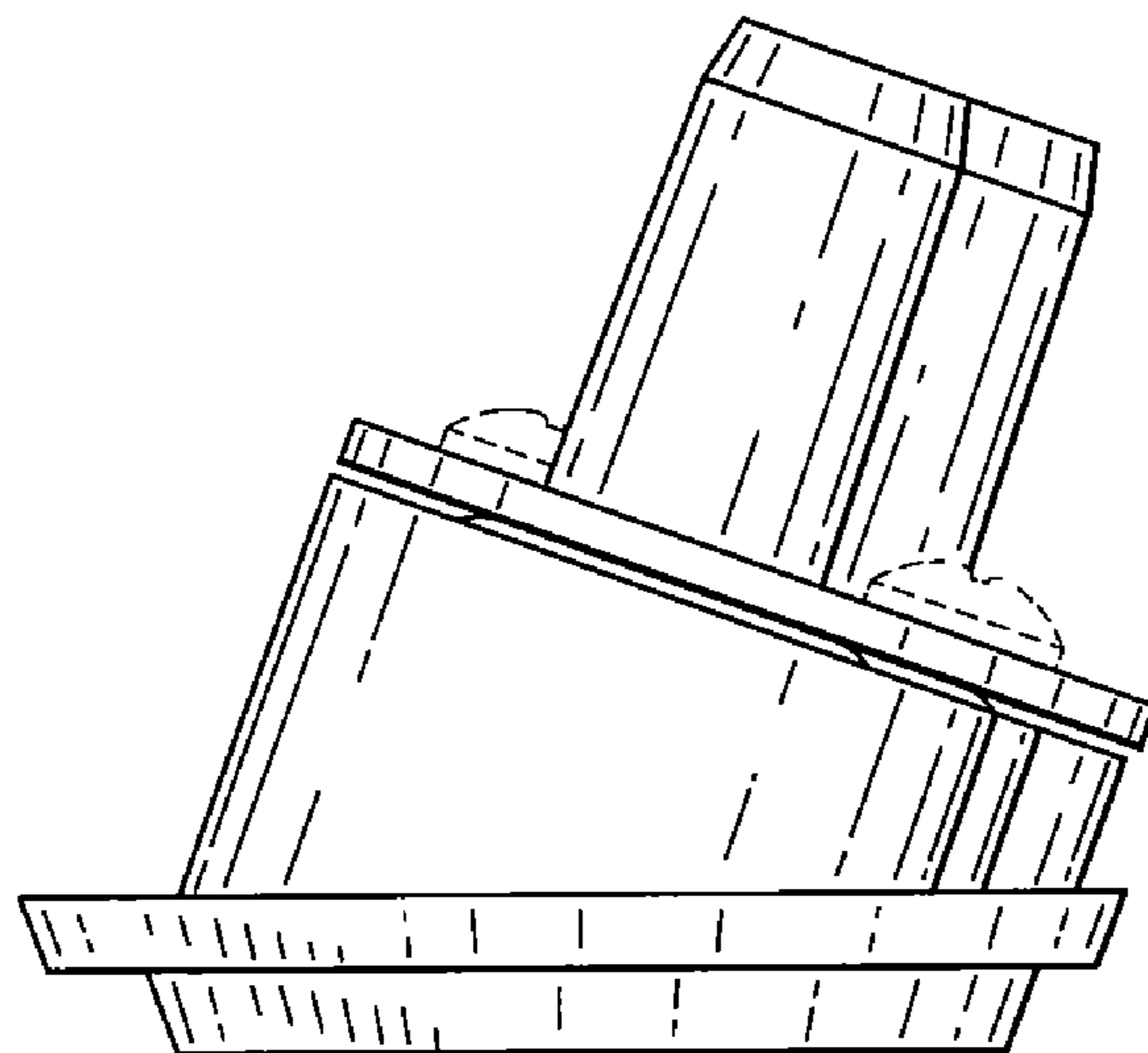


FIG. 5

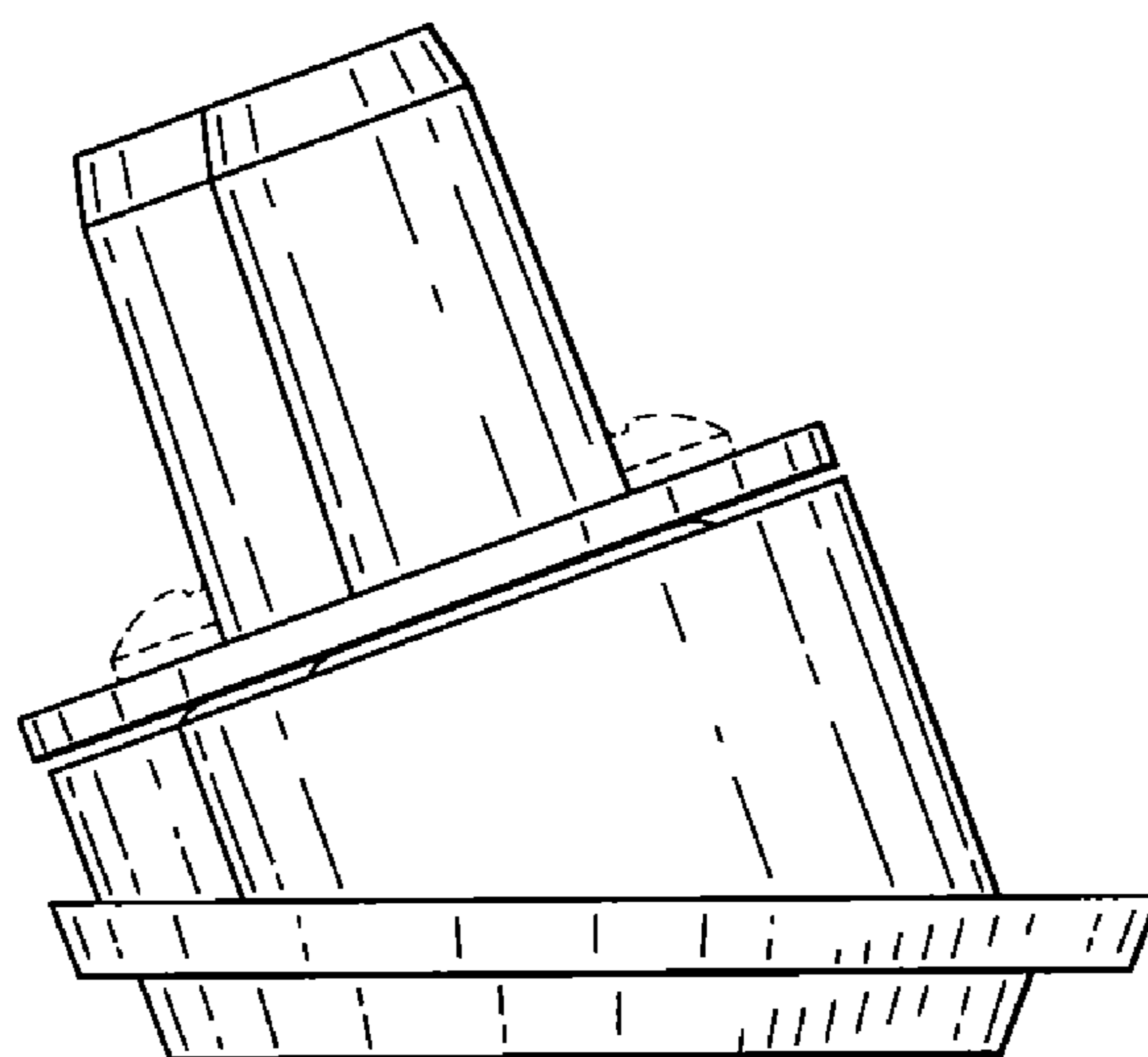


FIG. 6

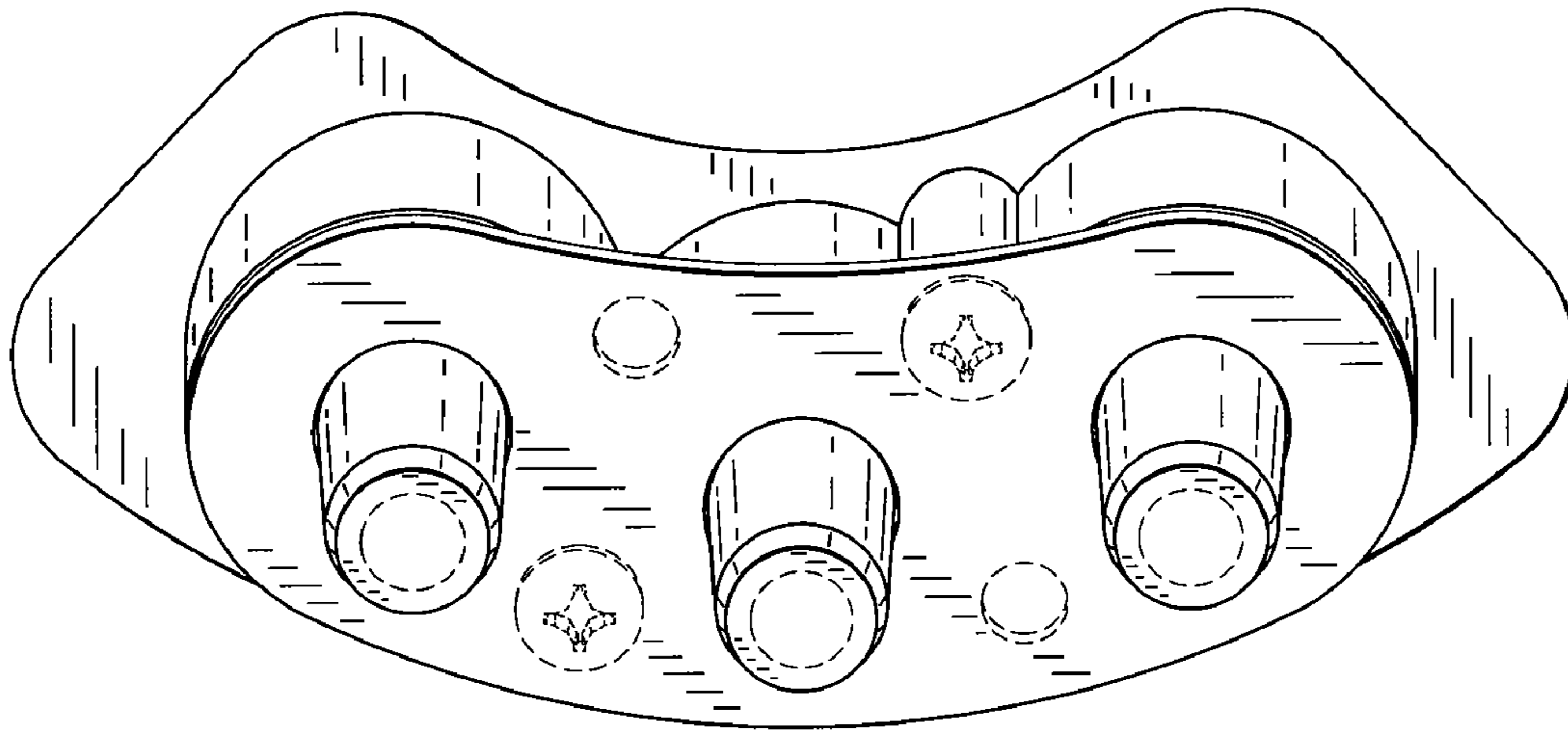


FIG. 7

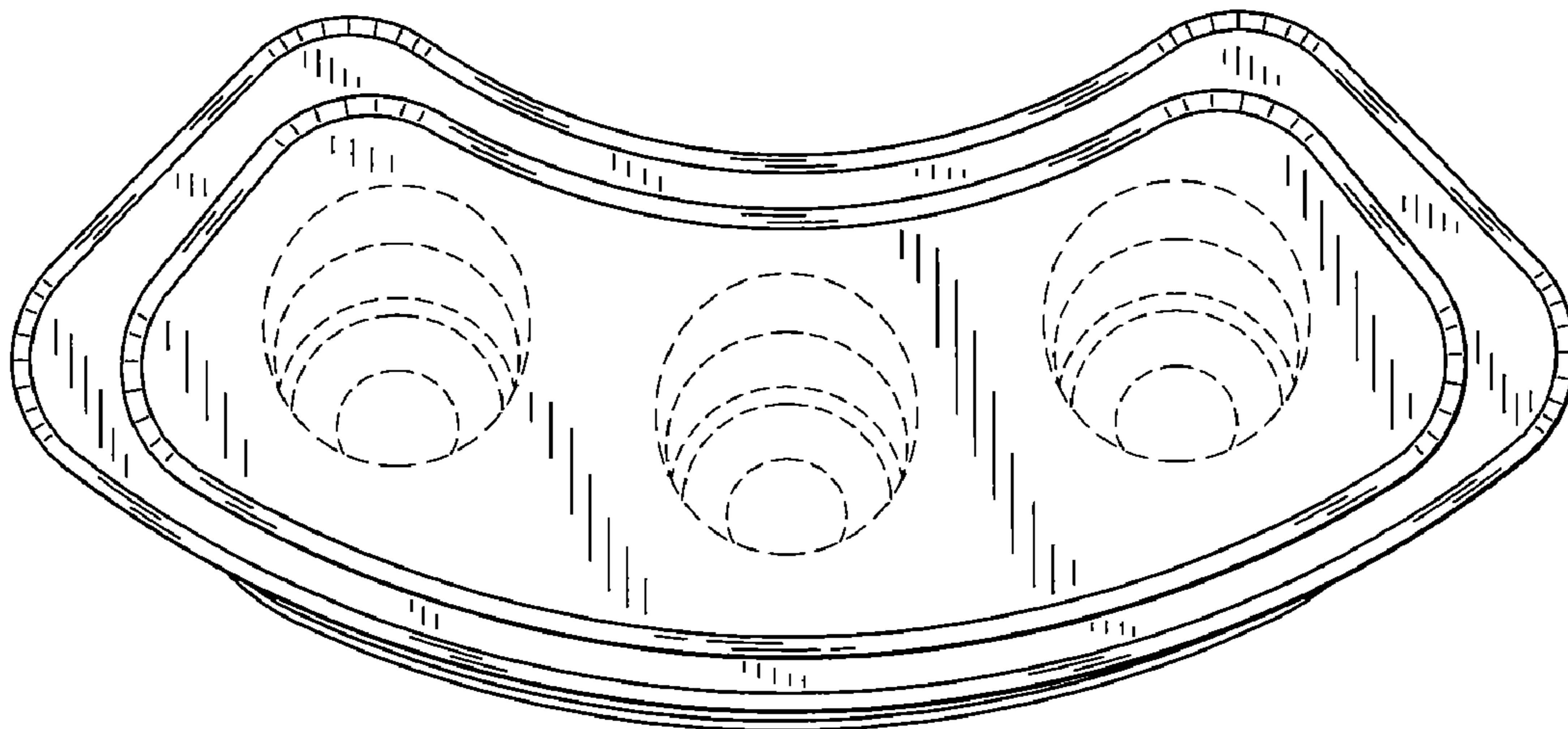


FIG. 8

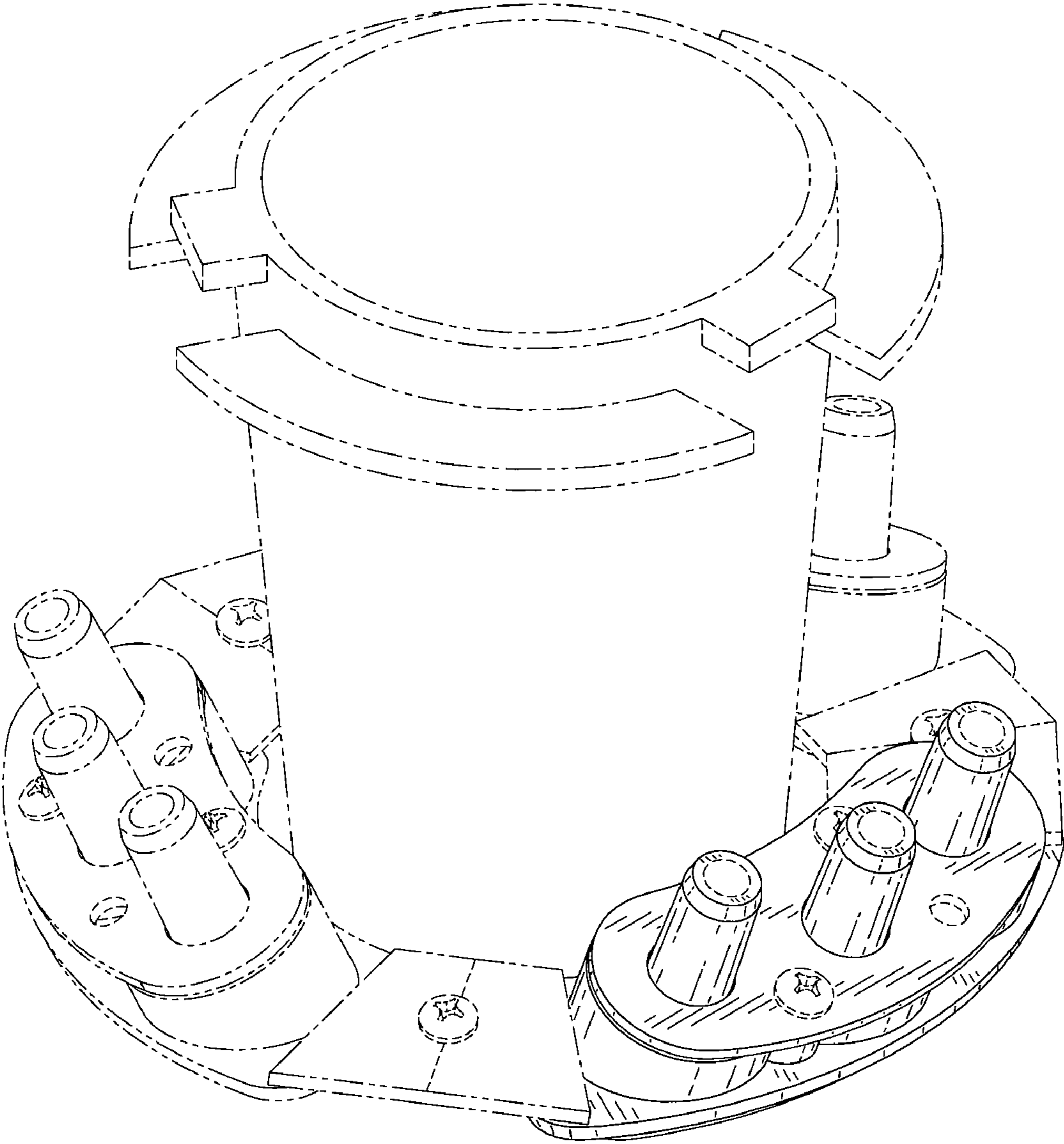


FIG. 9