



US00D633177S

(12) **United States Design Patent**
Jeong

(10) **Patent No.:** **US D633,177 S**

(45) **Date of Patent:** **** Feb. 22, 2011**

(54) **VALVE FOR A SHOWER**

D530,789 S * 10/2006 Holmes D23/249

(76) Inventor: **Ho-Yeong Jeong**, 108-2003, Taesan
Apt., Hyoseong 2-Dong, Gyeyang-gu,
Incheon (KR)

* cited by examiner

Primary Examiner—Cathron C. Brooks

Assistant Examiner—Maurice Stevens

(74) *Attorney, Agent, or Firm*—Merchant & Gould P.C.

(**) Term: **14 Years**

(21) Appl. No.: **29/340,334**

(57) **CLAIM**

(22) Filed: **Jul. 16, 2009**

The ornamental design for a valve for a shower, as shown.

(51) **LOC (9) Cl.** **23-01**

(52) **U.S. Cl.** **D23/233**

(58) **Field of Classification Search** D23/233–237,
D23/243–249, 262–265; 251/148, 152, 192,
251/309, 366; 137/240, 412, 801; 239/396,
239/569, 575, 583

DESCRIPTION

See application file for complete search history.

FIG. 1 is a perspective view of a valve for a shower showing
my new design;

FIG. 2 is a front view thereof;

FIG. 3 is a rear view thereof;

FIG. 4 is a left side view thereof;

FIG. 5 is a right side view thereof;

FIG. 6 is a top plan view thereof; and,

FIG. 7 is a bottom plan view thereof.

(56) **References Cited**

U.S. PATENT DOCUMENTS

1,704,950 A * 3/1929 Price et al. 251/224

D529,130 S * 9/2006 Landolfi D23/233

1 Claim, 7 Drawing Sheets

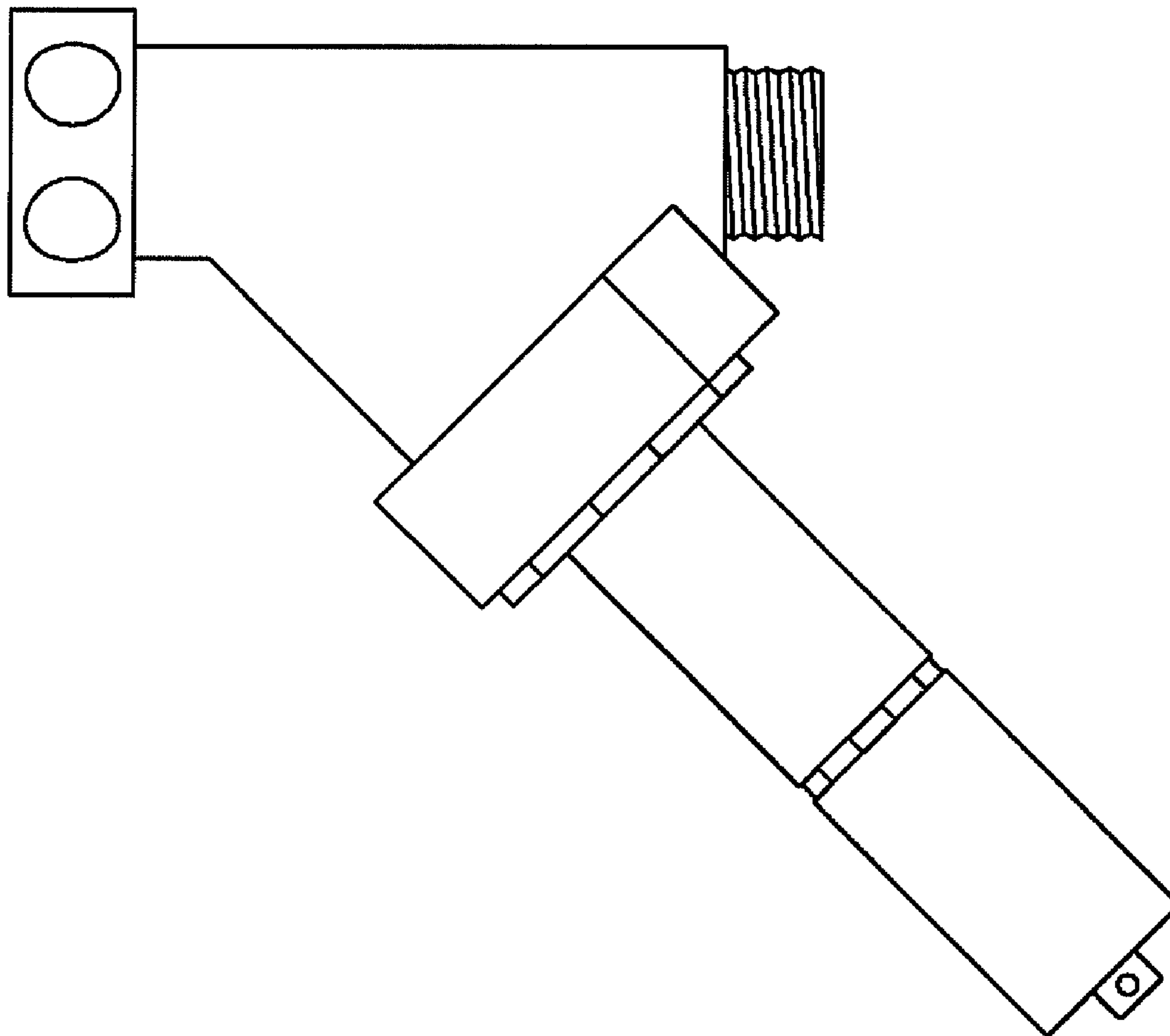


FIG. 1

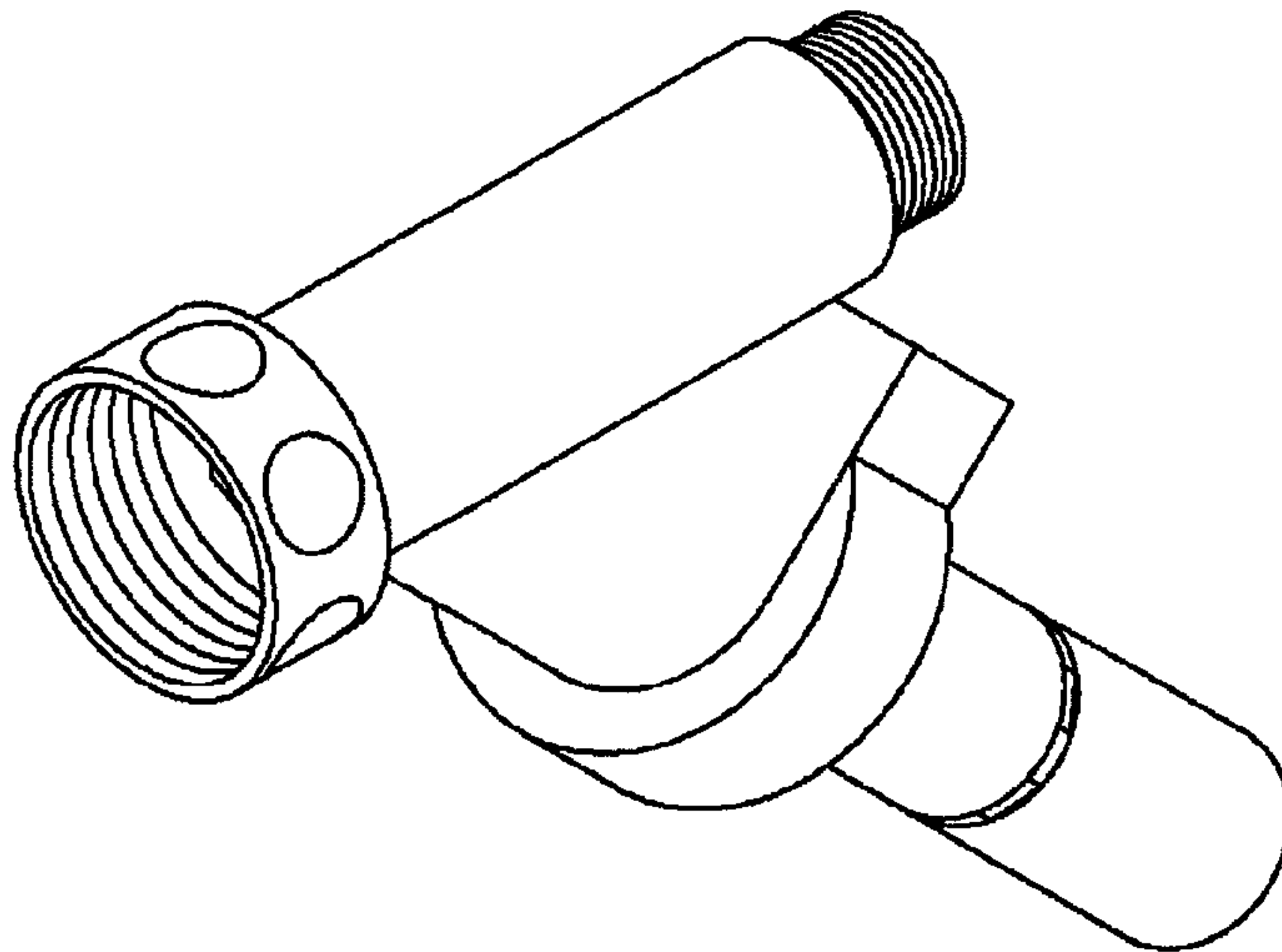


FIG. 2

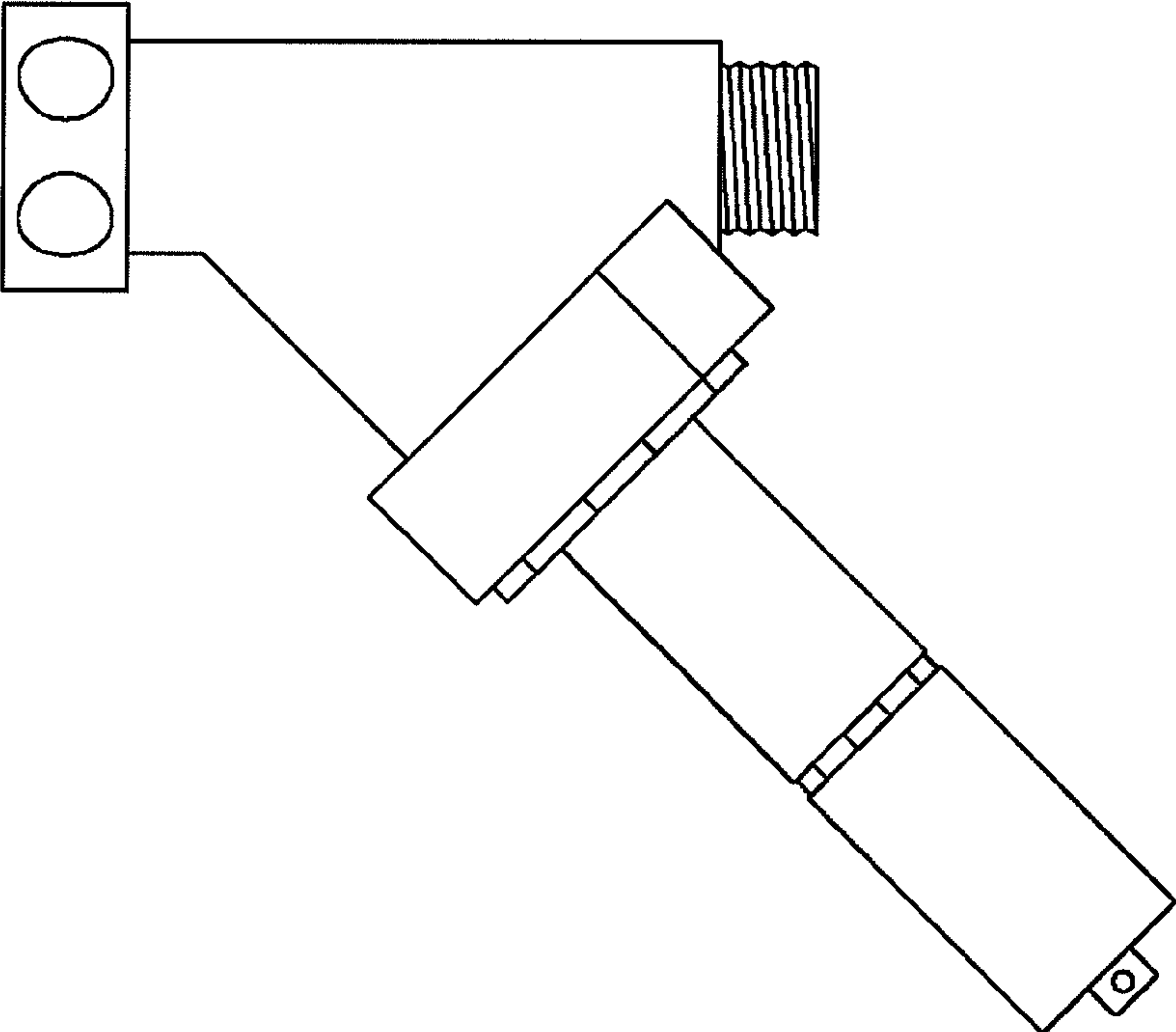


FIG. 3

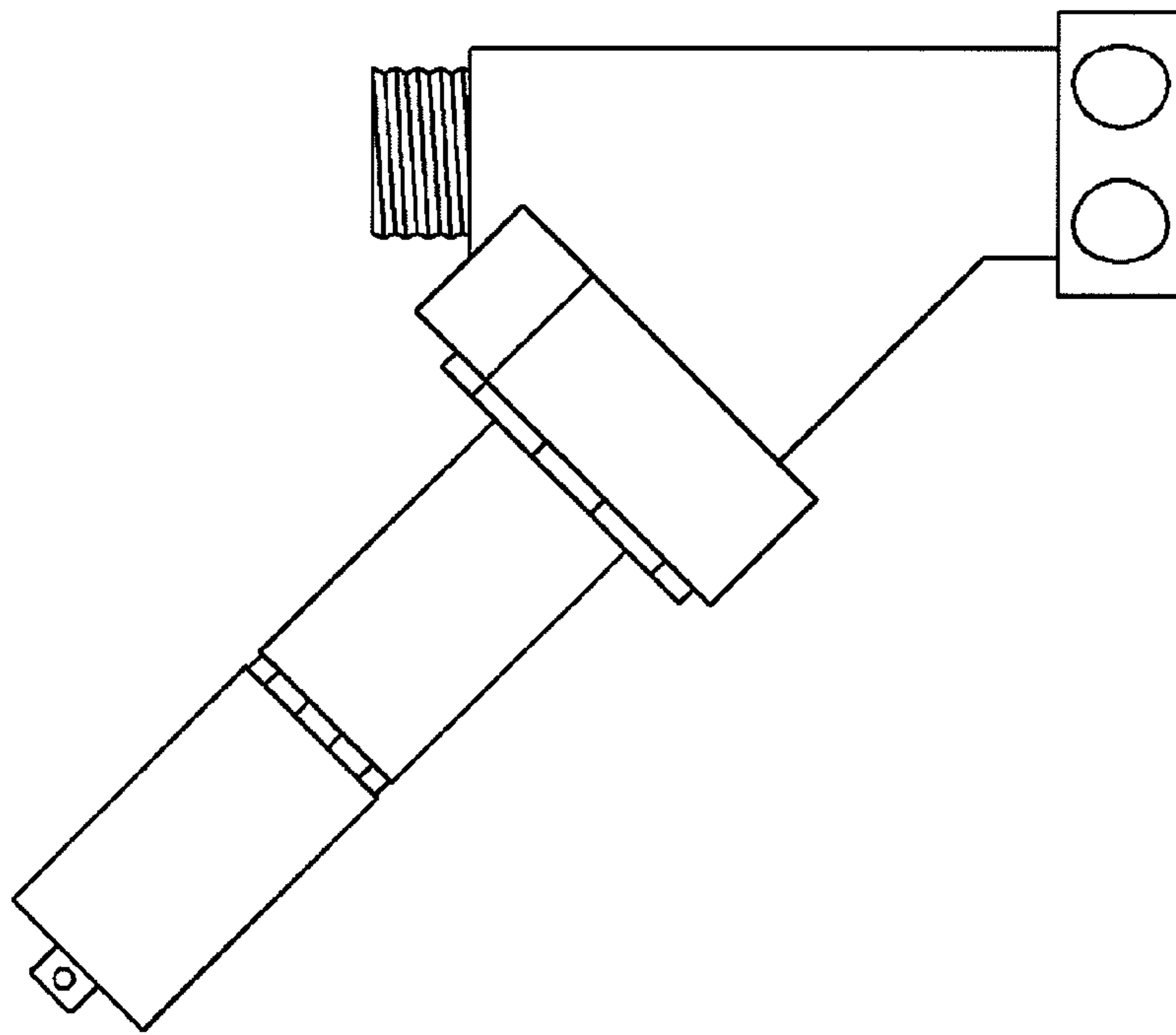


FIG. 4

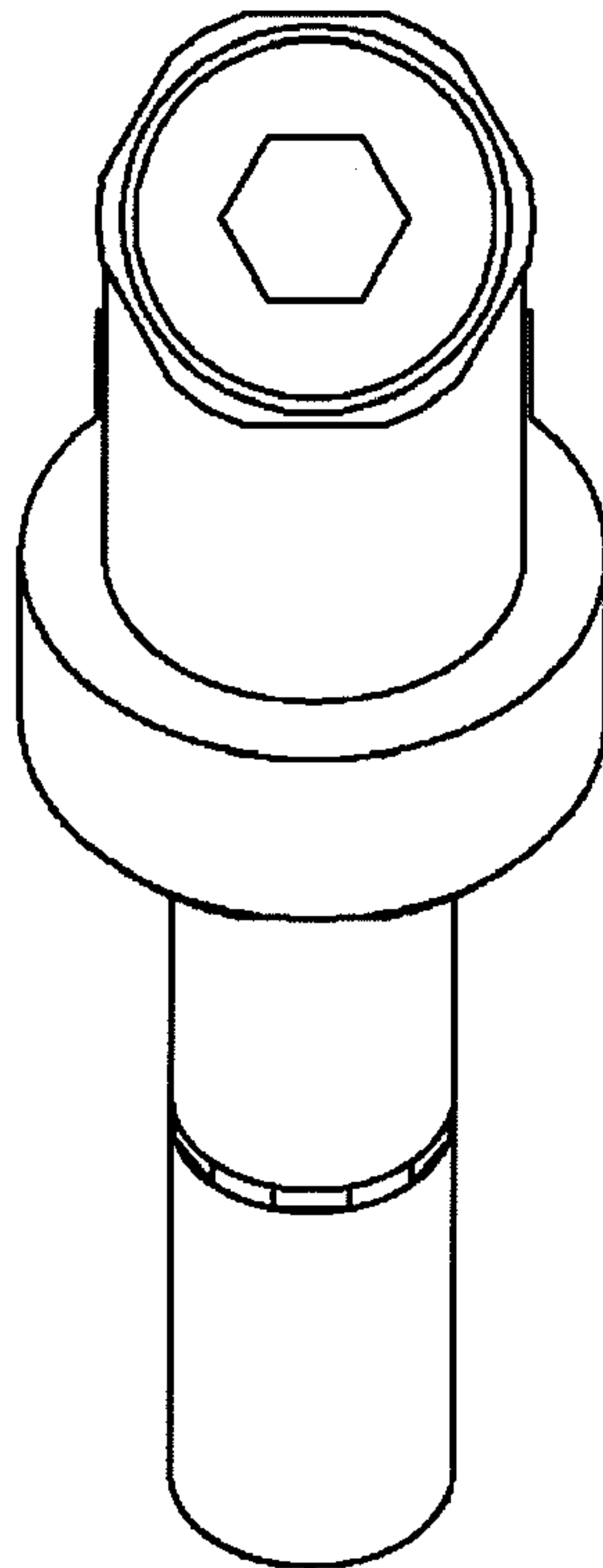


FIG. 5

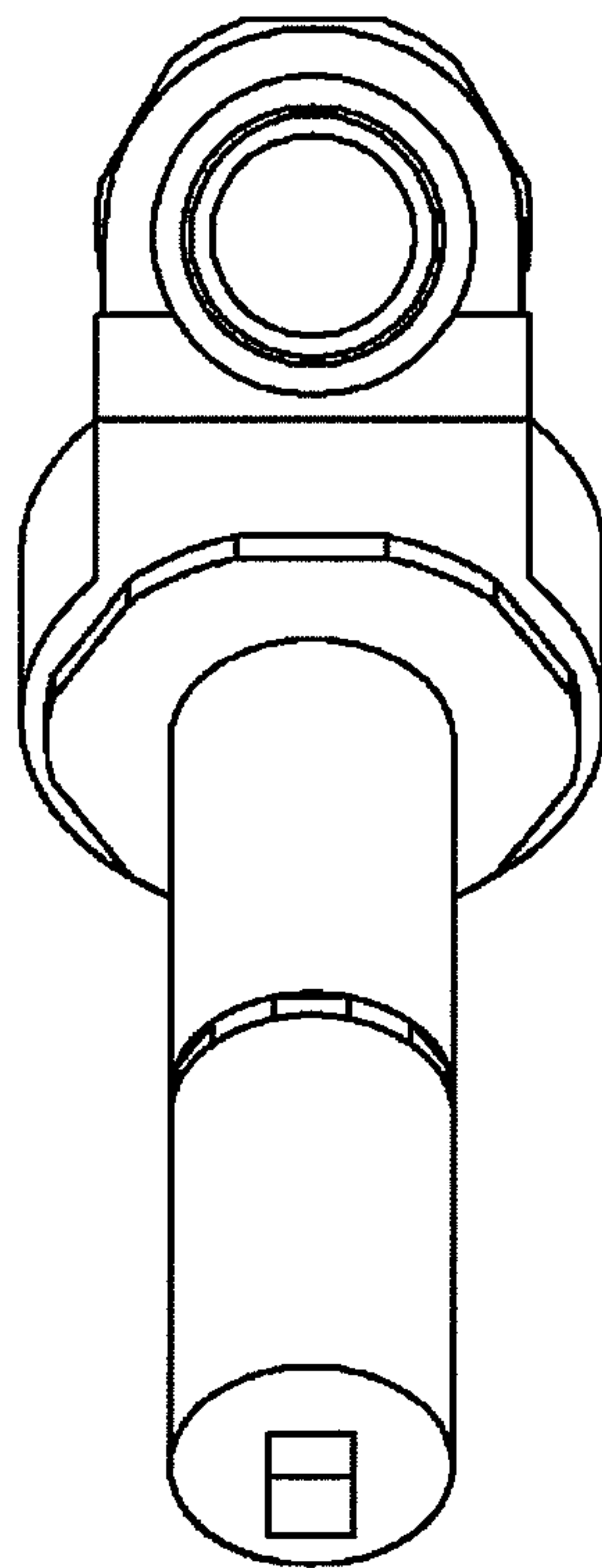


FIG. 6

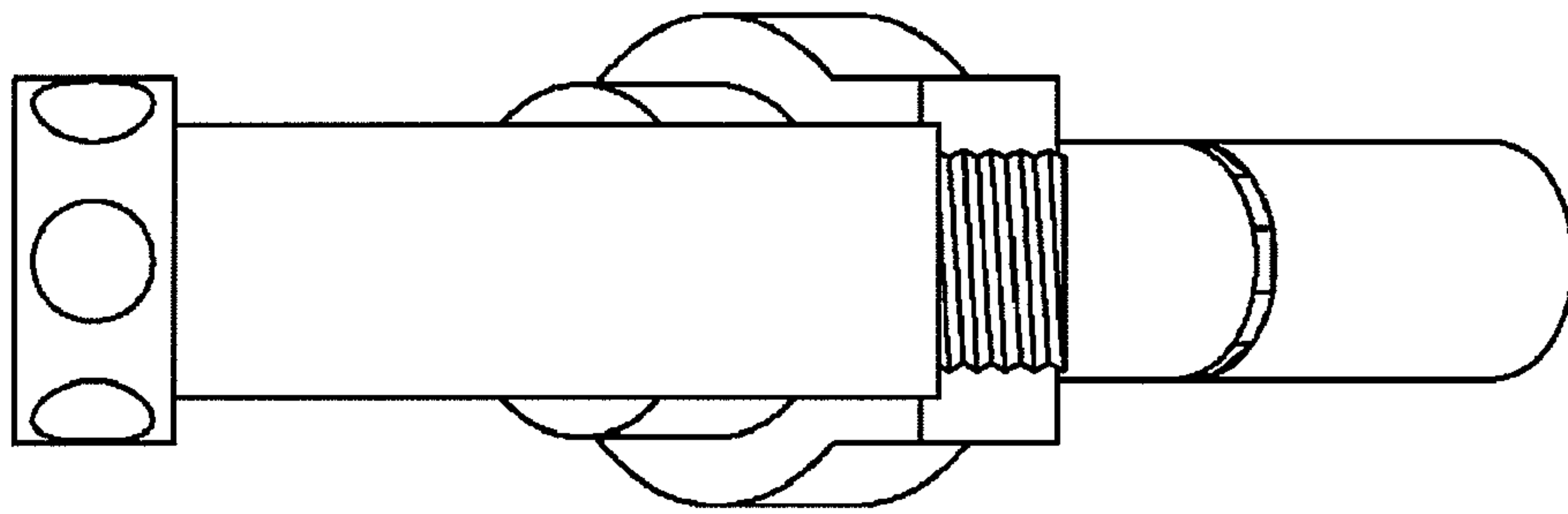


FIG. 7

