



US00D633175S

(12) **United States Design Patent**  
**Swain et al.**

(10) **Patent No.:** **US D633,175 S**

(45) **Date of Patent:** **\*\* Feb. 22, 2011**

(54) **DOSING ASSEMBLY**

(75) Inventors: **Andrew Swain**, Hucknall (GB); **Martin Cooper**, Leicester (GB); **Michael H. Bertucci**, Gurnee, IL (US); **Garry W. Crossdale**, Ripley (GB)

(73) Assignee: **Diversey, Inc.**, Sturtevant, WI (US)

(\*\*) Term: **14 Years**

(21) Appl. No.: **29/324,174**

(22) Filed: **Sep. 8, 2008**

(51) **LOC (9) Cl.** ..... **23-01**

(52) **U.S. Cl.** ..... **D23/225**

(58) **Field of Classification Search** ..... D23/213,  
D23/225; 239/332-333, 308-310  
See application file for complete search history.

(56) **References Cited**

**U.S. PATENT DOCUMENTS**

1,721,726 A	7/1929	Boe	
D100,375 S *	7/1936	Jepson	..... D23/225
2,788,244 A	4/1957	Gilmour	
2,991,939 A	7/1961	Packard	
3,145,735 A	8/1964	Osrow et al.	
3,412,937 A	11/1968	Chamberlain	
3,863,843 A	2/1975	Hechler, IV	
3,964,689 A	6/1976	Horvath, Jr.	
4,475,689 A	10/1984	Hauger et al.	
D295,214 S	4/1988	Miller	
D296,813 S	7/1988	Ellison	
D302,201 S	7/1989	Hengesbach	
D305,452 S	1/1990	Morgan	
4,901,923 A	2/1990	McRoskey et al.	
D307,463 S	4/1990	Fushiya et al.	
4,969,603 A	11/1990	Norman	
5,259,557 A	11/1993	Spriggs et al.	
D358,865 S	5/1995	Englhard et al.	
D378,493 S	3/1997	Subbaraman et al.	

5,996,907 A	12/1999	Toetschinger et al.	
D432,208 S	10/2000	Beaver et al.	
D432,372 S *	10/2000	Iaciofano et al.	..... D8/2
6,158,673 A	12/2000	Toetschinger et al.	
6,182,911 B1	2/2001	Hanks et al.	
D445,872 S	7/2001	Ketcham et al.	
D446,584 S	8/2001	Chen	
D480,124 S	9/2003	Hubmann et al.	
D484,946 S	1/2004	Hubmann et al.	
D543,607 S *	5/2007	Meyhoefer	..... D23/225
D568,441 S *	5/2008	Ballu	..... D23/225

**OTHER PUBLICATIONS**

J-Fill Portable Brochure, from S. C. Johnson Commerical Markets, inc., dated 2000.

\* cited by examiner

*Primary Examiner*—Robin V Webster

(74) *Attorney, Agent, or Firm*—Gregory S. Bollis

(57) **CLAIM**

We claim the ornamental design for a dosing assembly, as shown and described.

**DESCRIPTION**

FIG. 1 is a side view of a dosing assembly showing our new design;

FIG. 2 is a front view thereof;

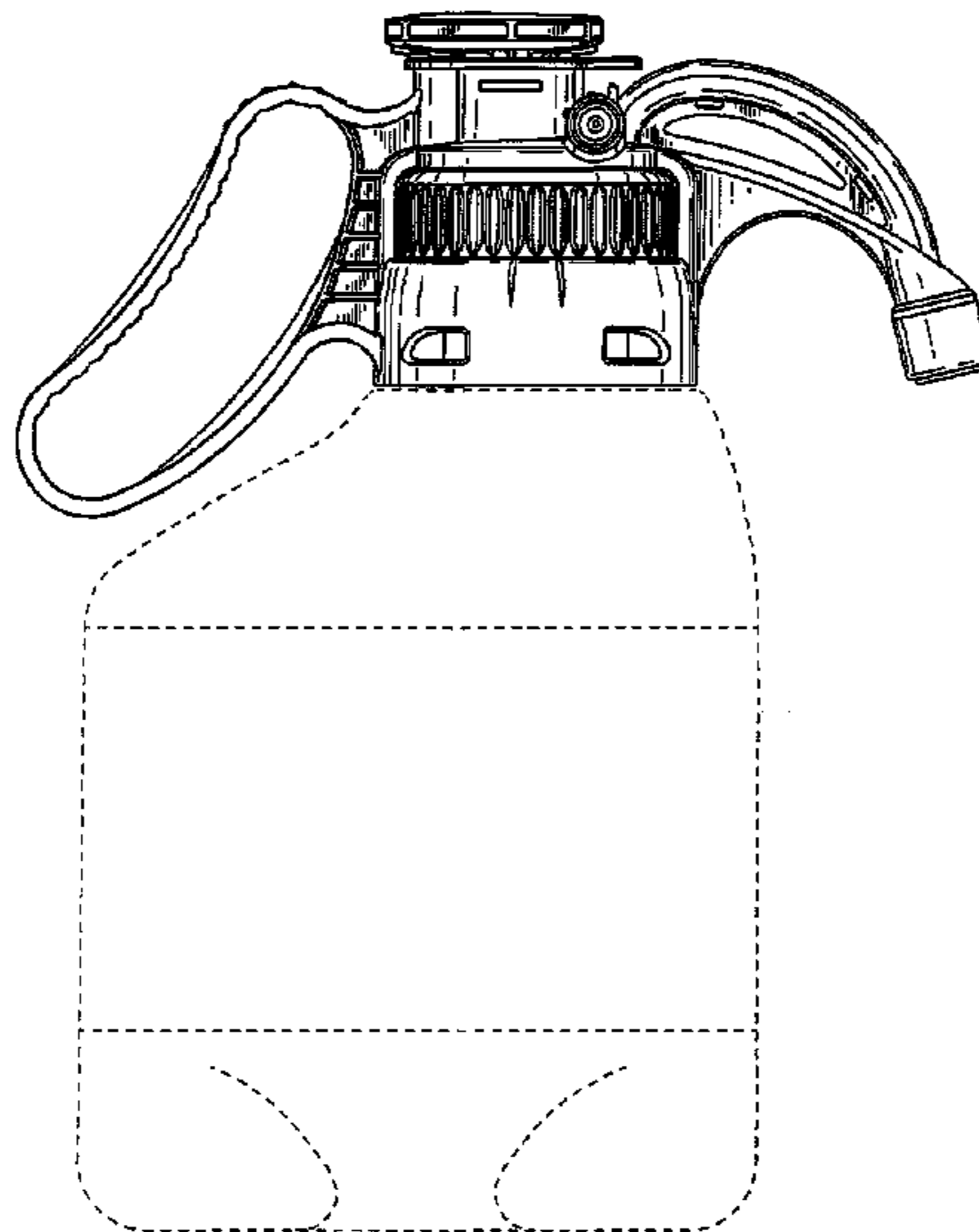
FIG. 3 is the opposite side view thereof;

FIG. 4 is a rear view thereof; and,

FIG. 5 is a top view thereof.

The present application is directed to the shape and contour of a dosing assembly and/or a dosing head of the design illustrated in the drawings. Other features of the drawings shown in broken lines are not considered part of the claimed subject-matter.

**1 Claim, 5 Drawing Sheets**



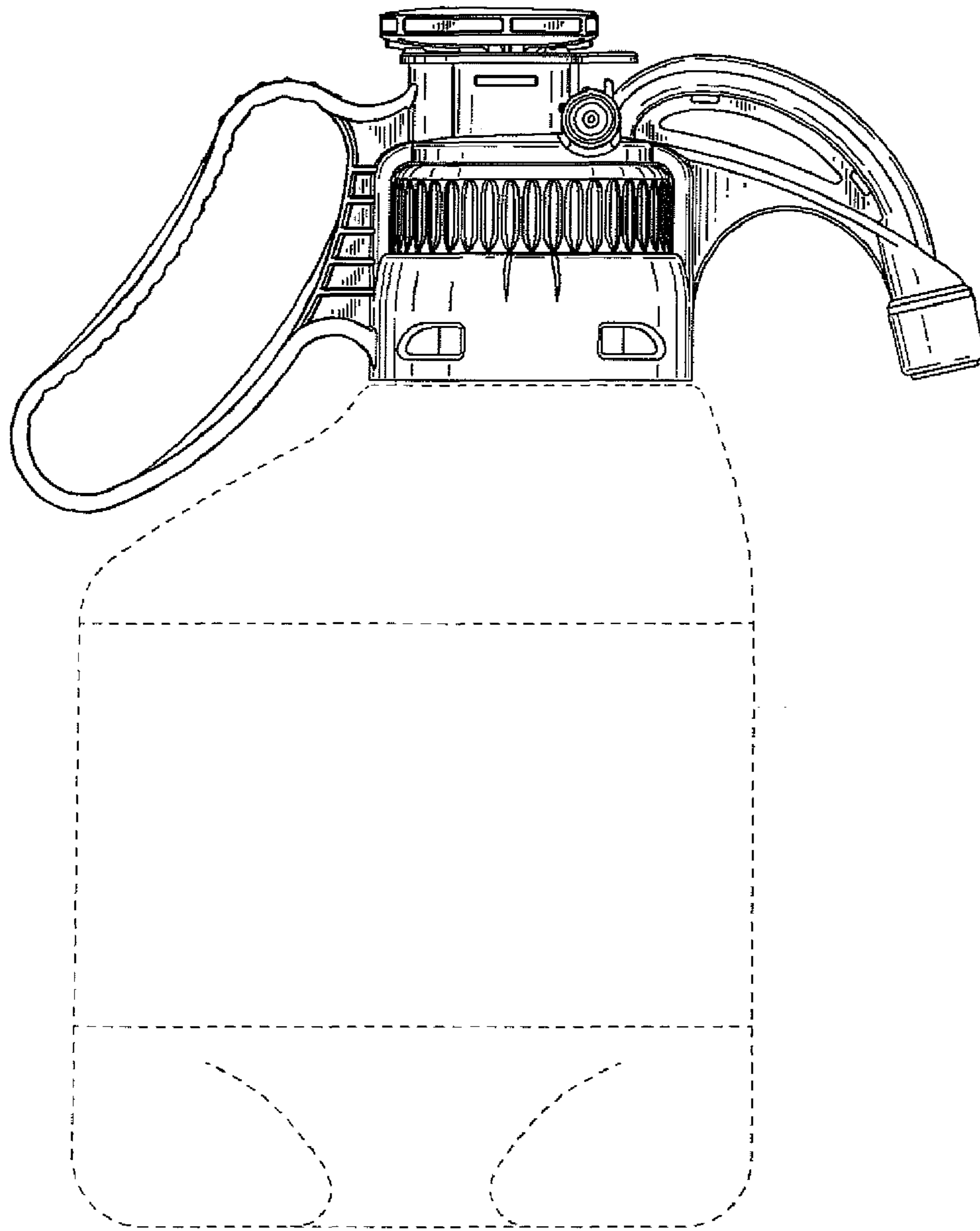


FIG. 1

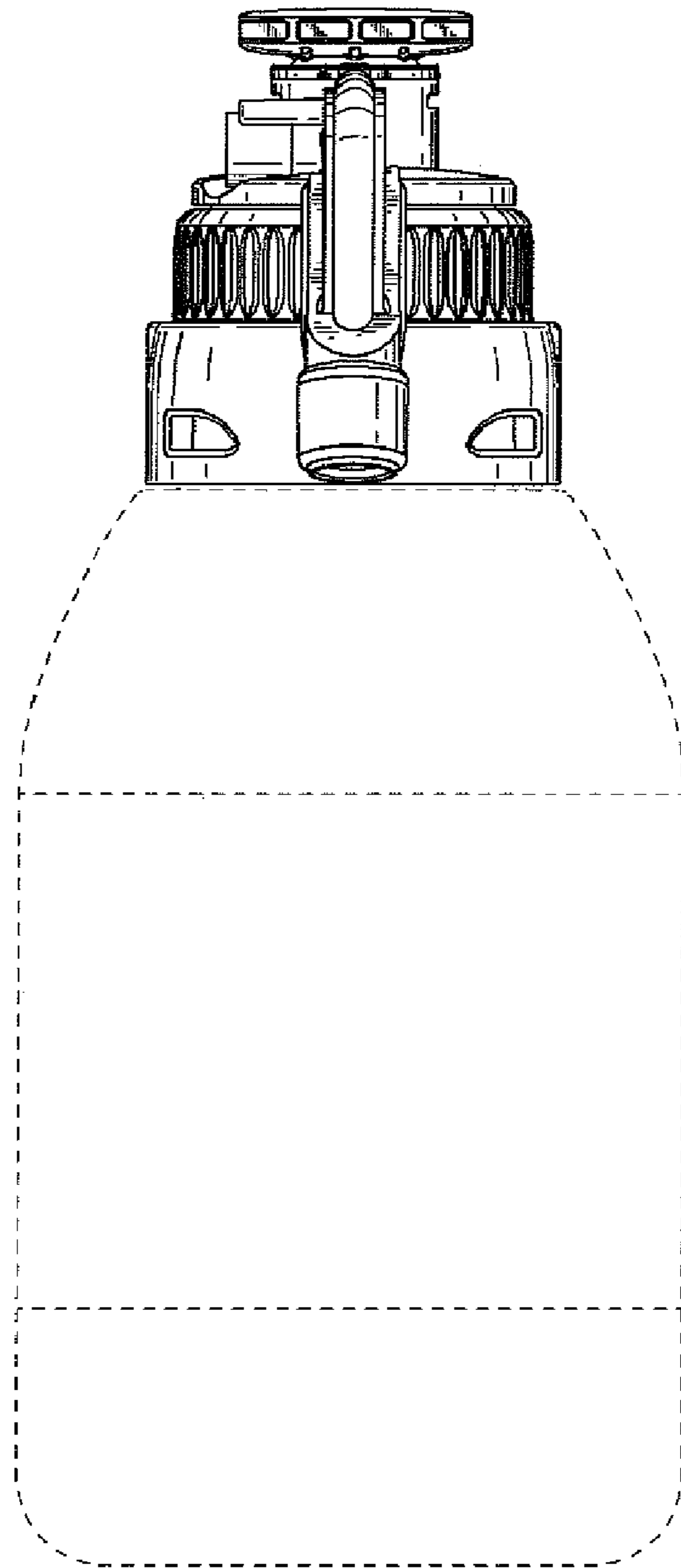


FIG. 2

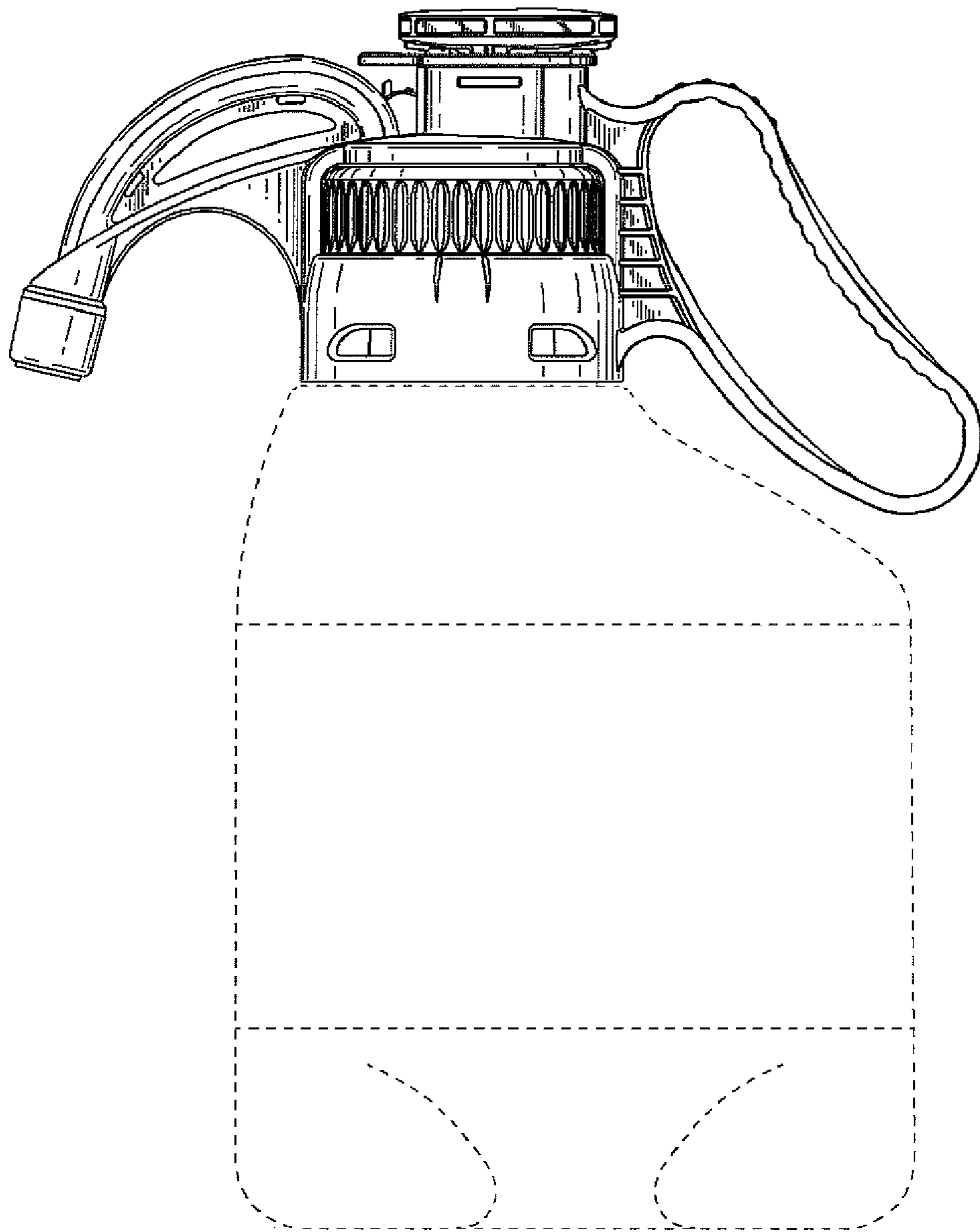


FIG. 3

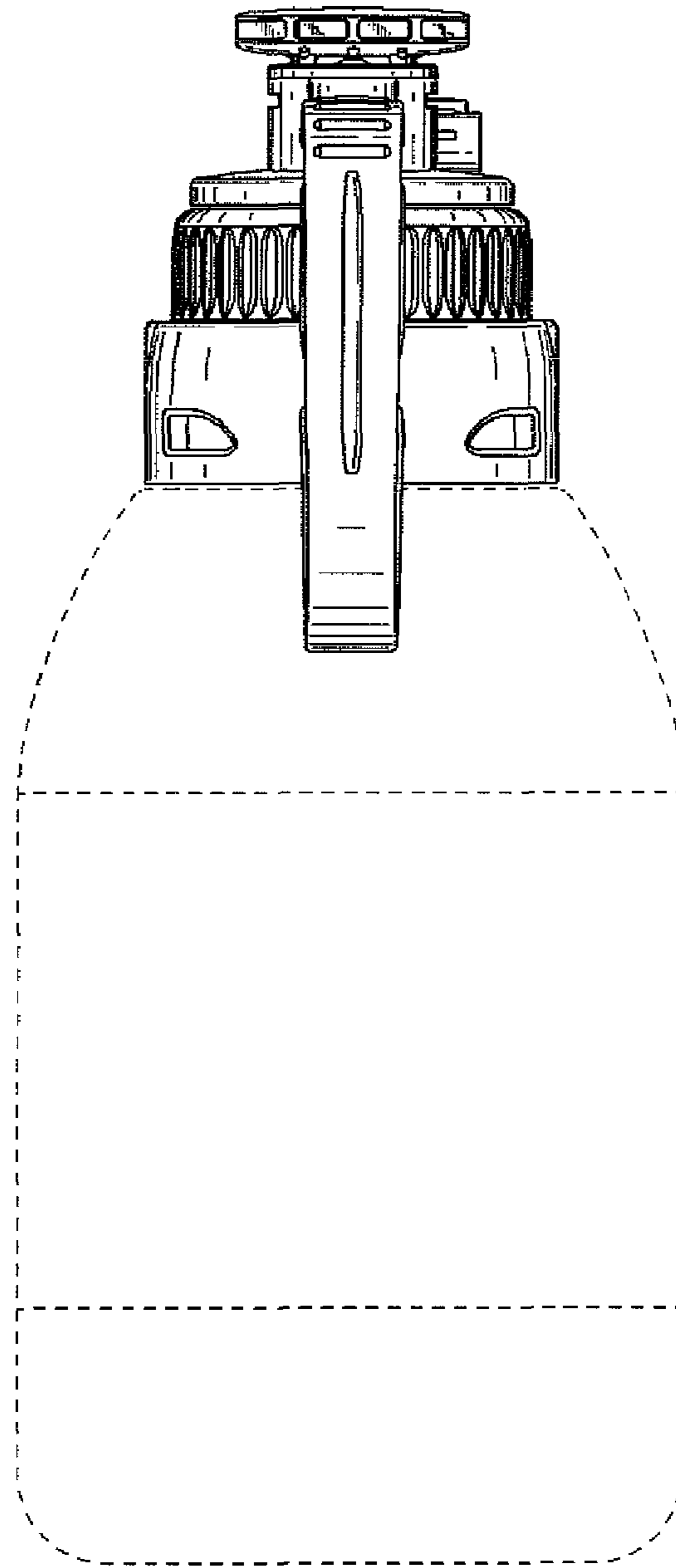


FIG. 4

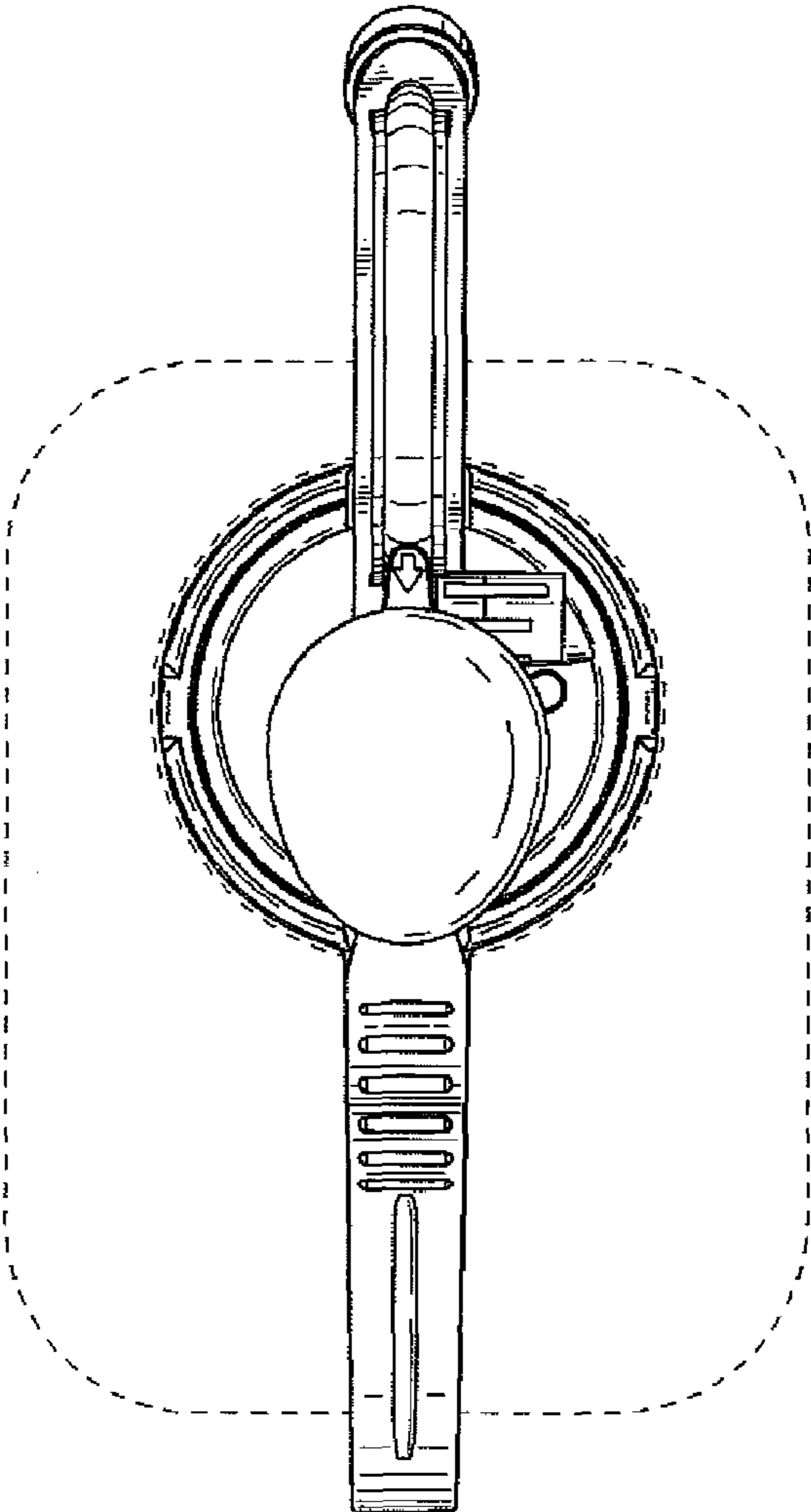


FIG. 5