



US00D633174S

(12) **United States Design Patent**
Lee

(10) **Patent No.:** **US D633,174 S**

(45) **Date of Patent:** **** Feb. 22, 2011**

(54) **SHOWERHEAD**

(75) Inventor: **Man Hon Lee**, Kowloon (HK)

(73) Assignee: **Brand New Technology Ltd.**, Kowloon (HK)

(**) Term: **14 Years**

(21) Appl. No.: **29/358,184**

(22) Filed: **Mar. 23, 2010**

(51) **LOC (9) Cl.** **23-01**

(52) **U.S. Cl.** **D23/213**

(58) **Field of Classification Search** D23/213,
D23/223, 229-230; D24/215; 239/102.1,
239/282.283; 4/615

See application file for complete search history.

(56) **References Cited**

U.S. PATENT DOCUMENTS

3,924,808 A * 12/1975 Cooley, Jr. 239/102.1

5,199,639 A * 4/1993 Kobayashi et al. 239/11

D529,986 S * 10/2006 Chan D23/213

D553,708 S * 10/2007 Garner D23/213

D578,181 S * 10/2008 Pan D23/213

D582,562 S * 12/2008 Nan D24/215

D583,012 S * 12/2008 McGilloway et al. D23/213

* cited by examiner

Primary Examiner—Robin V Webster

(57) **CLAIM**

The ornamental design for a showerhead, as shown and described.

DESCRIPTION

FIG. 1 is a front elevational view of a showerhead showing my new design;

FIG. 2 is a rear elevational view thereof;

FIG. 3 is a left side view thereof;

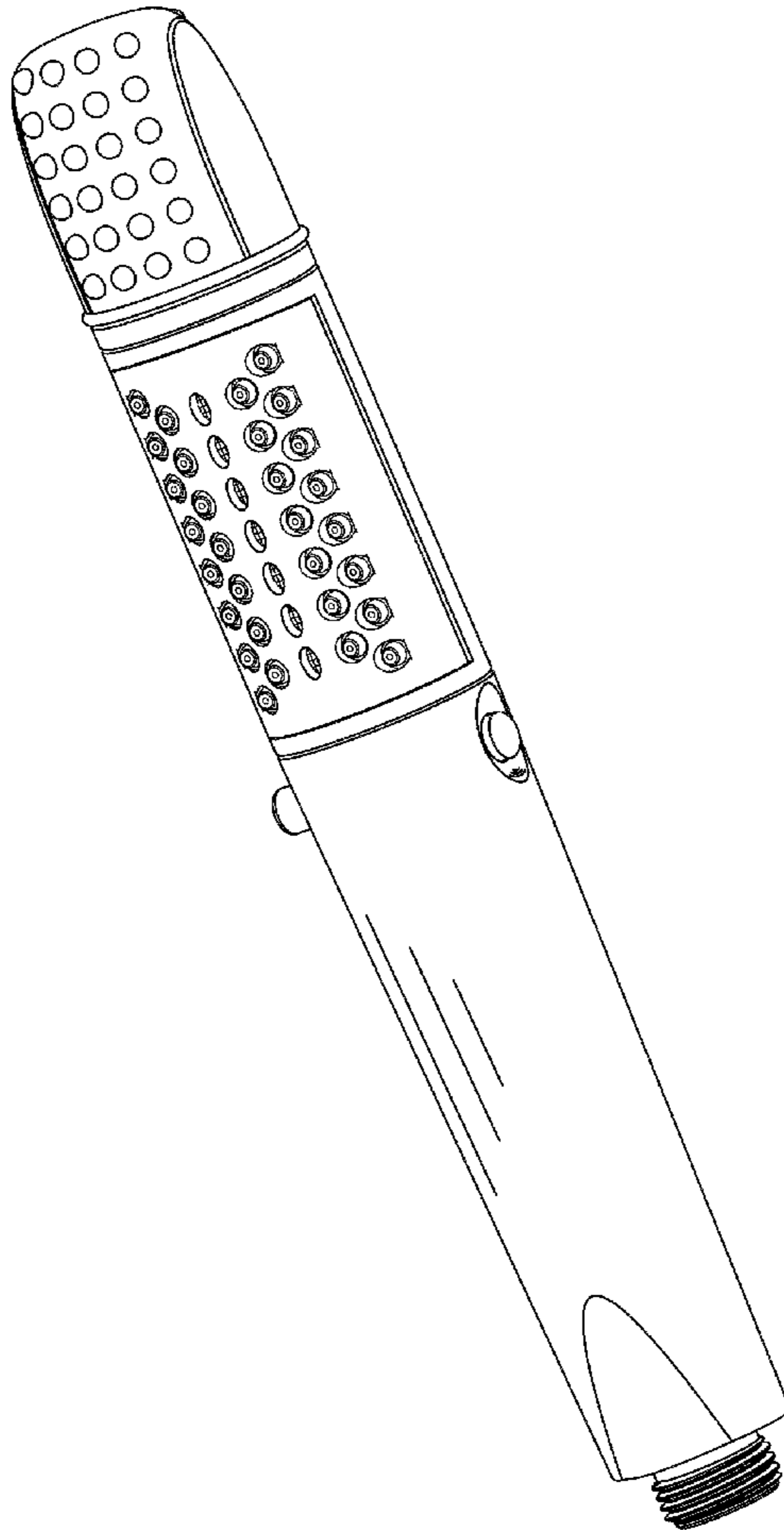
FIG. 4 is a right side view thereof;

FIG. 5 is a top plan view thereof;

FIG. 6 is a bottom plan view thereof; and,

FIG. 7 is a perspective view thereof.

1 Claim, 6 Drawing Sheets



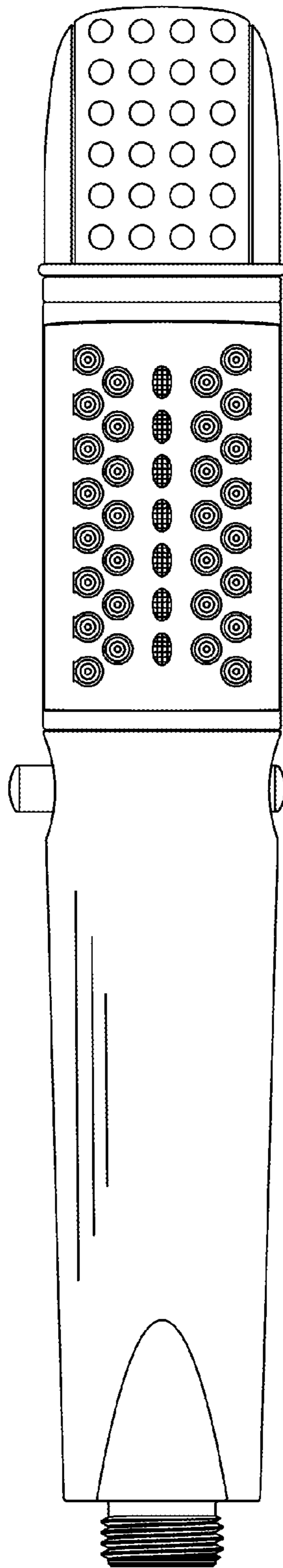


FIG. 1

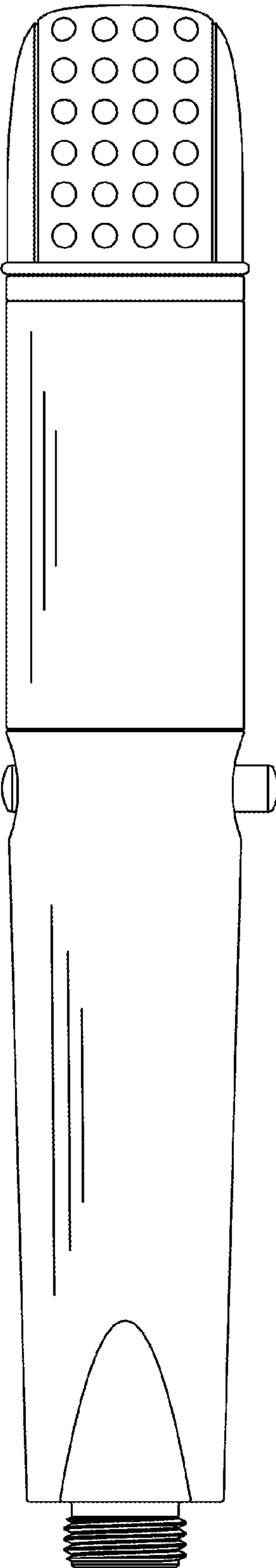


FIG. 2

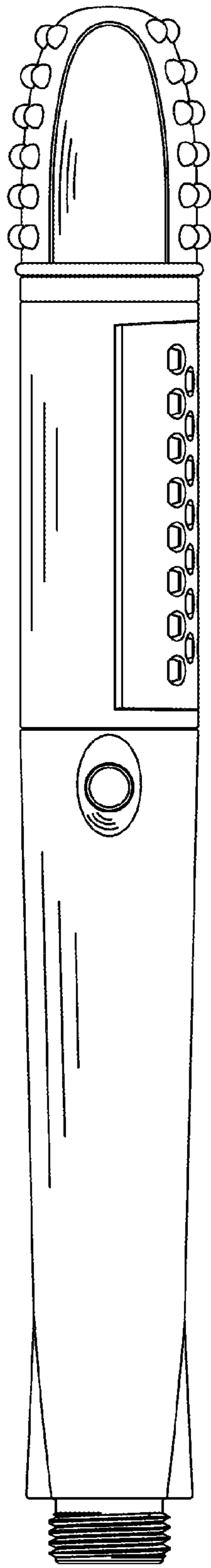


FIG. 3

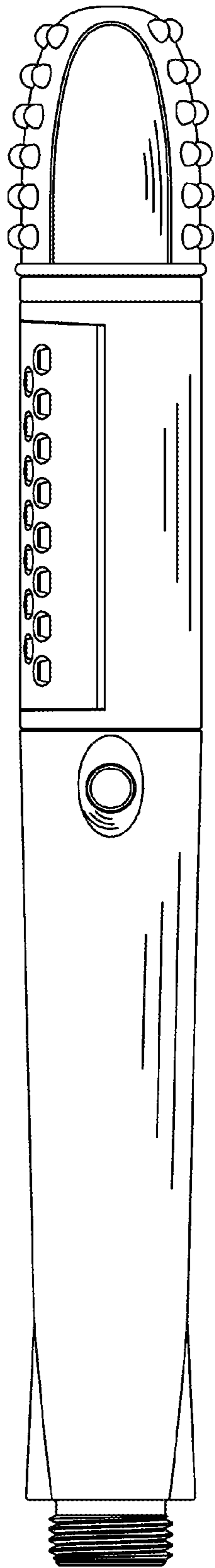


FIG. 4

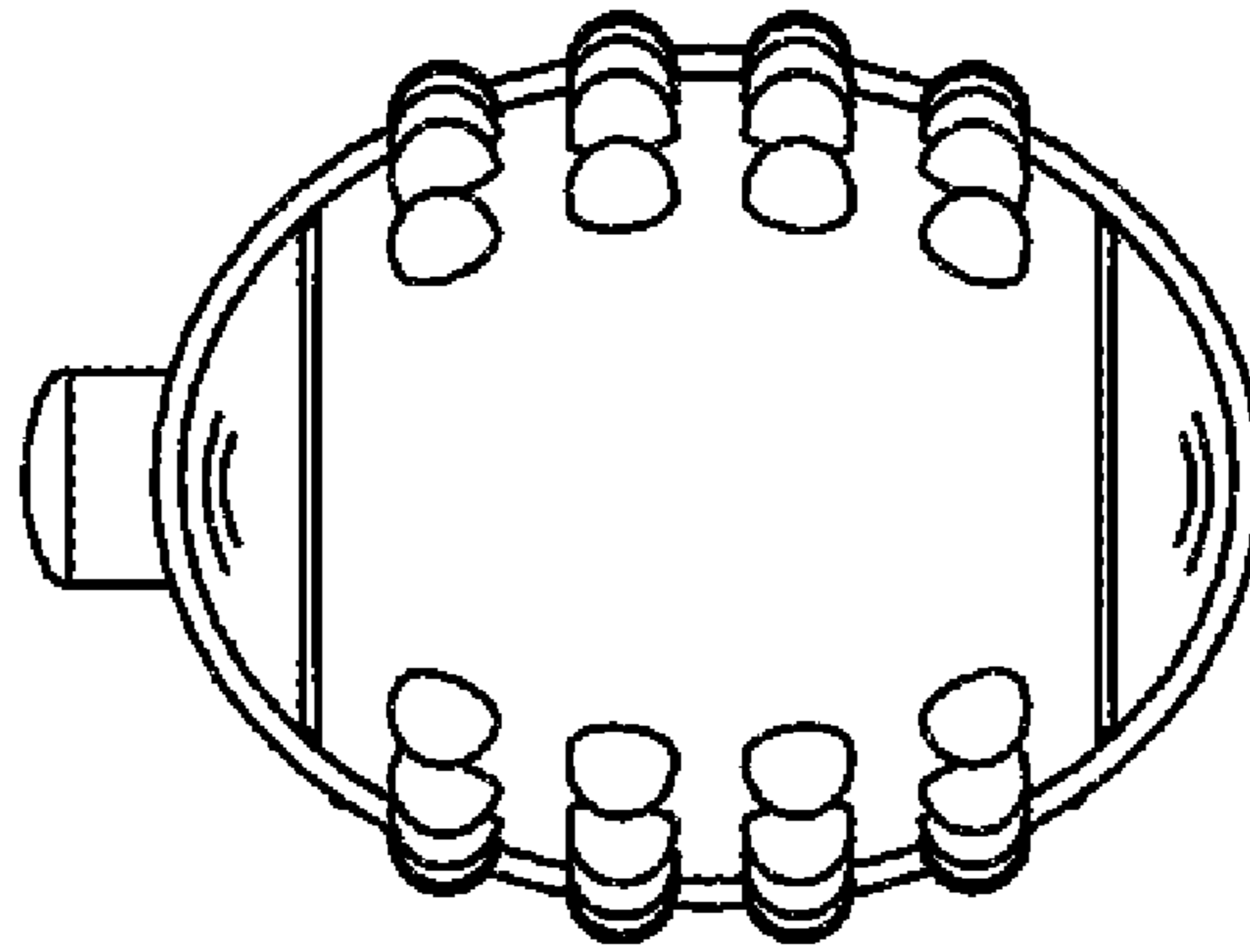


FIG. 5

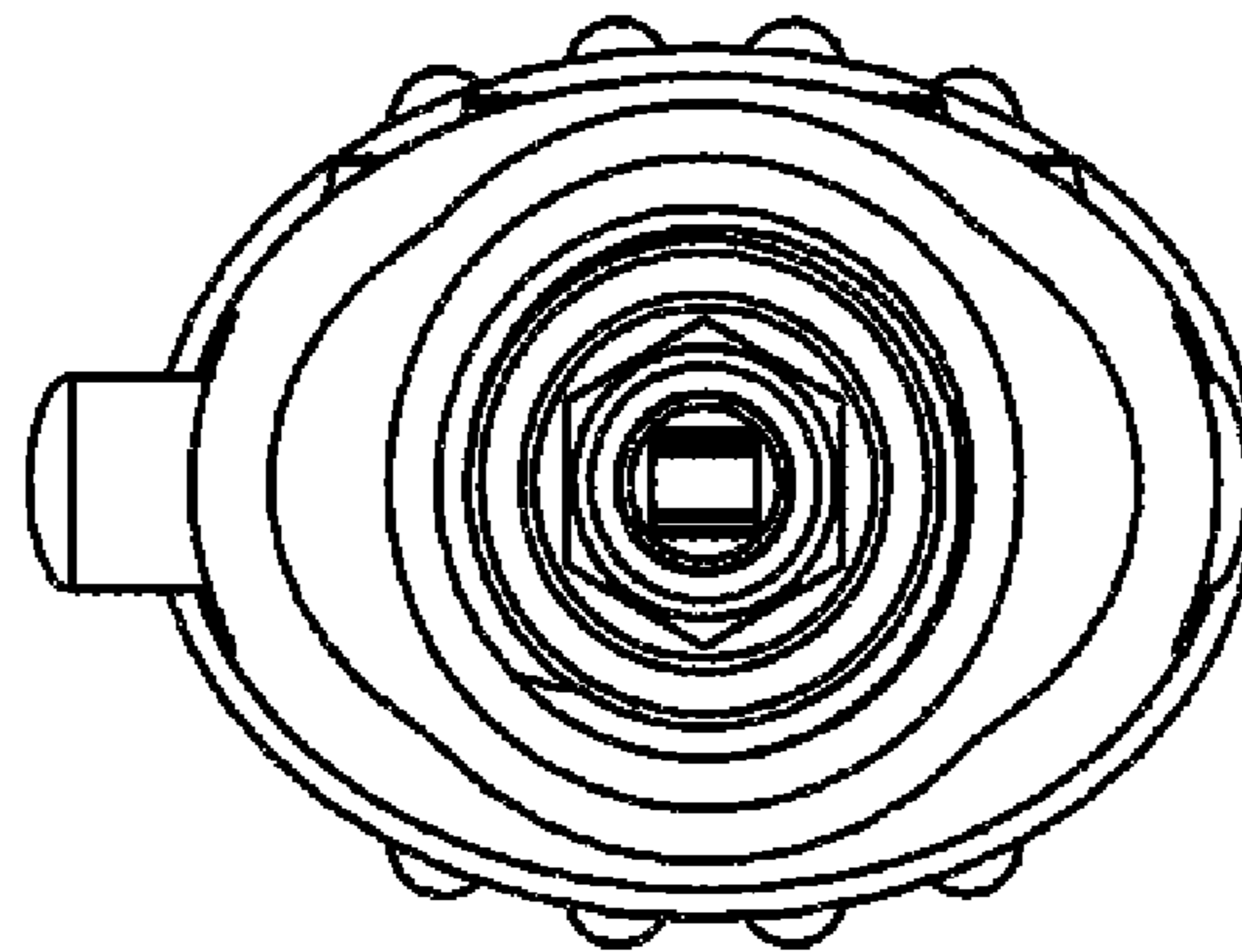


FIG. 6

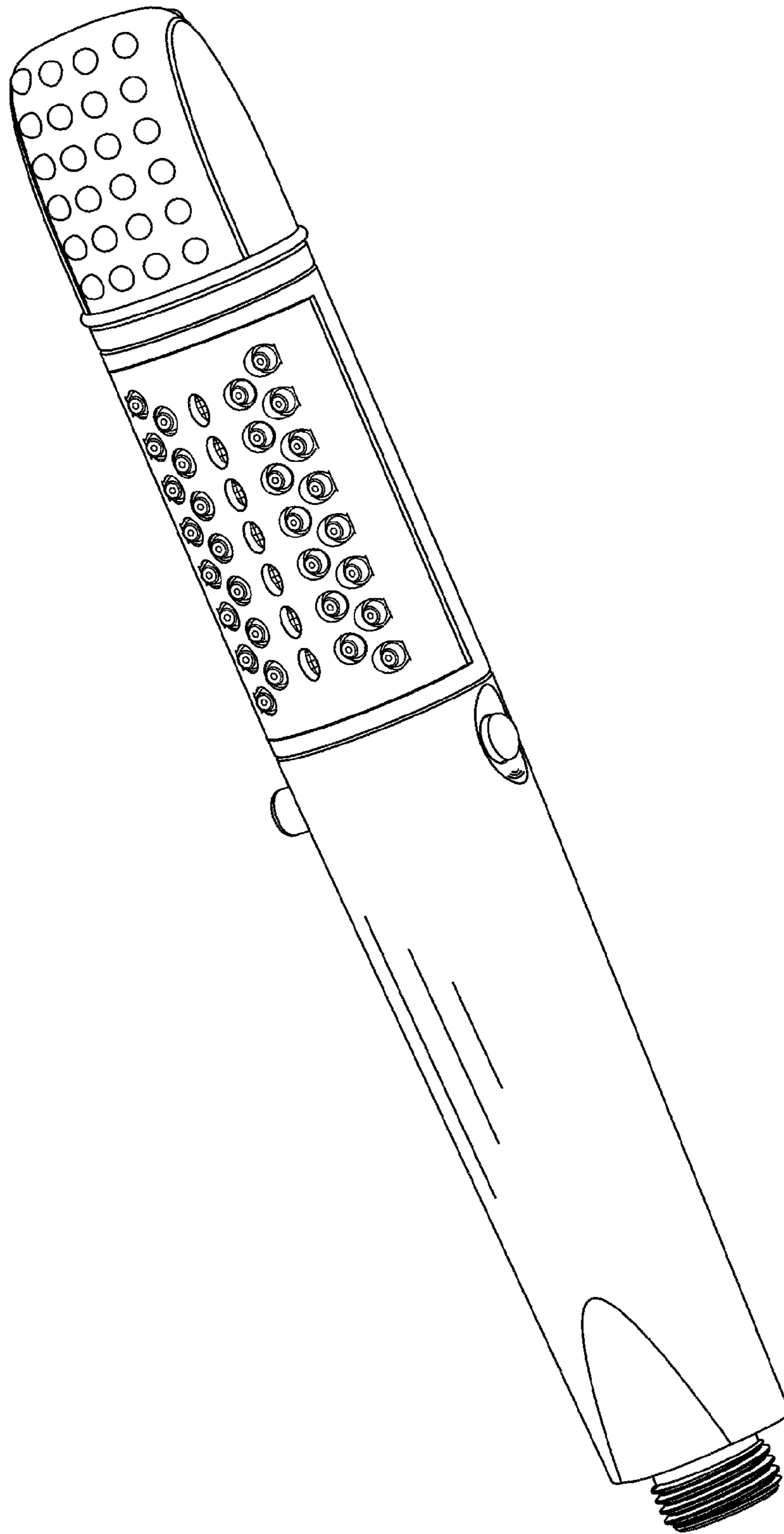


FIG. 7