



US00D633171S

(12) **United States Design Patent**
Wastrack

(10) **Patent No.:** **US D633,171 S**

(45) **Date of Patent:** **** Feb. 22, 2011**

(54) **SWIVEL RELEASE FOR FISHING LURE**

D463,105 S * 9/2002 Tsai D3/207
D520,100 S * 5/2006 Betker D22/134

(76) Inventor: **Harry E. Wastrack**, 106 Elm Tree La.,
Sterling, VA (US) 20164

* cited by examiner

(**) Term: **14 Years**

Primary Examiner—Catherine R Oliver

(21) Appl. No.: **29/368,076**

(74) *Attorney, Agent, or Firm*—Montgomery Patent and
Design; Joseph T Yaksich; Robert C. Montgomery

(22) Filed: **Aug. 18, 2010**

(57) **CLAIM**

(51) **LOC (9) Cl.** **22-05**

The ornamental design for a swivel release for fishing lure, as
shown and described.

(52) **U.S. Cl.** **D22/134**

(58) **Field of Classification Search** D22/134,
D22/144–145, 199; 43/43.11, 43.12, 43.13,
43/42.49, 44.86, 44.93, 44.95, 42.28, 42.45,
43/42.35, 42.37, 42.32, 42.39; D3/207–212;
24/503, 507, 509; D8/349, 367
See application file for complete search history.

DESCRIPTION

(56) **References Cited**

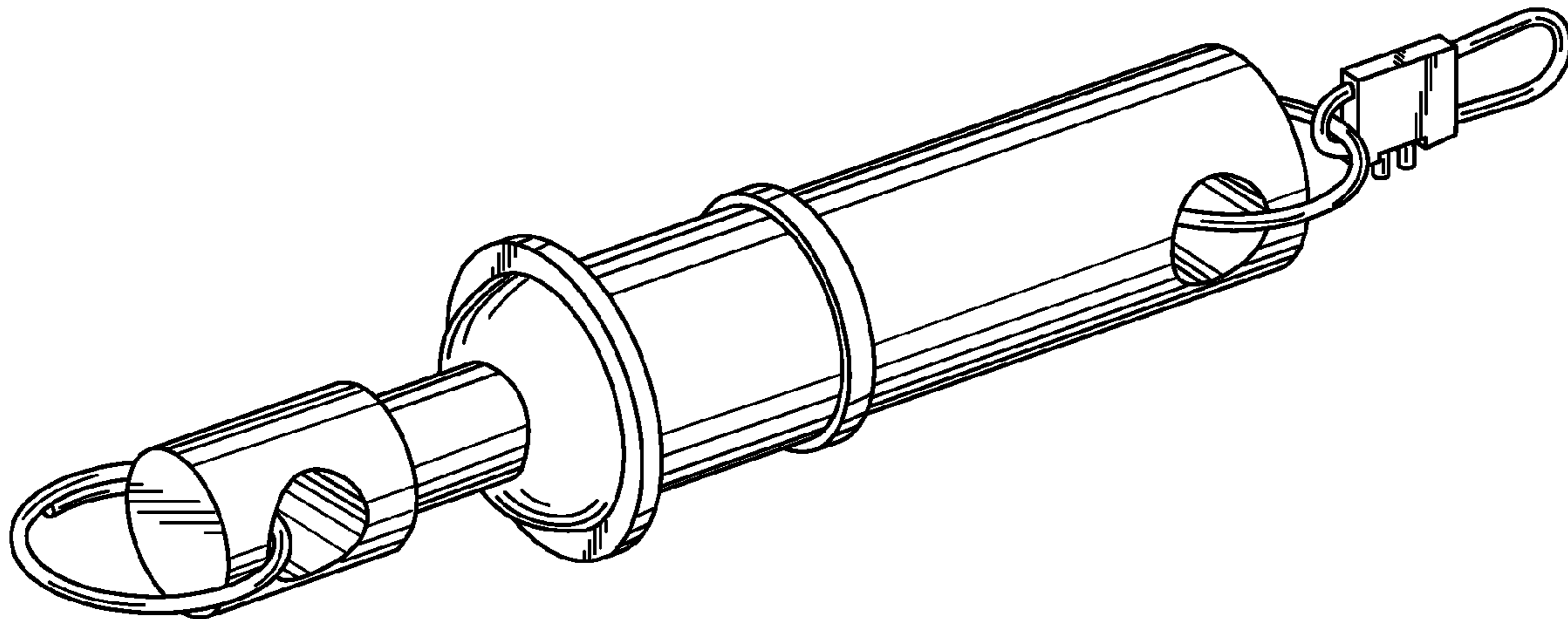
U.S. PATENT DOCUMENTS

- 1,438,264 A * 12/1922 Rygh 24/600.6
- D157,122 S * 2/1950 Blake et al. D8/349
- 2,763,089 A 9/1956 McDonald
- 2,772,902 A 12/1956 Lind
- 2,869,278 A 1/1959 Cook
- 3,148,423 A 9/1964 Anspach
- 4,177,598 A 12/1979 Jolley
- D308,600 S * 6/1990 Wischnowsky D3/207
- D346,423 S * 4/1994 Kitagawa D22/134
- D384,254 S * 9/1997 Johnson D8/14

- FIG. 1 is an exploded perspective view of a swivel release for
fishing lure, showing my new design;
- FIG. 2 is an exploded front view thereof;
- FIG. 3 is an exploded rear view thereof;
- FIG. 4 is an exploded right side view thereof;
- FIG. 5 is an exploded left side view thereof;
- FIG. 6 is an exploded top view thereof;
- FIG. 7 is an exploded bottom view thereof;
- FIG. 8 is perspective view thereof; and,
- FIG. 9 is an environmental view thereof.

The broken line showing of a fishing lure and fishing line is
for the purpose of illustrating environment and forms no part
of the claimed design.

1 Claim, 8 Drawing Sheets



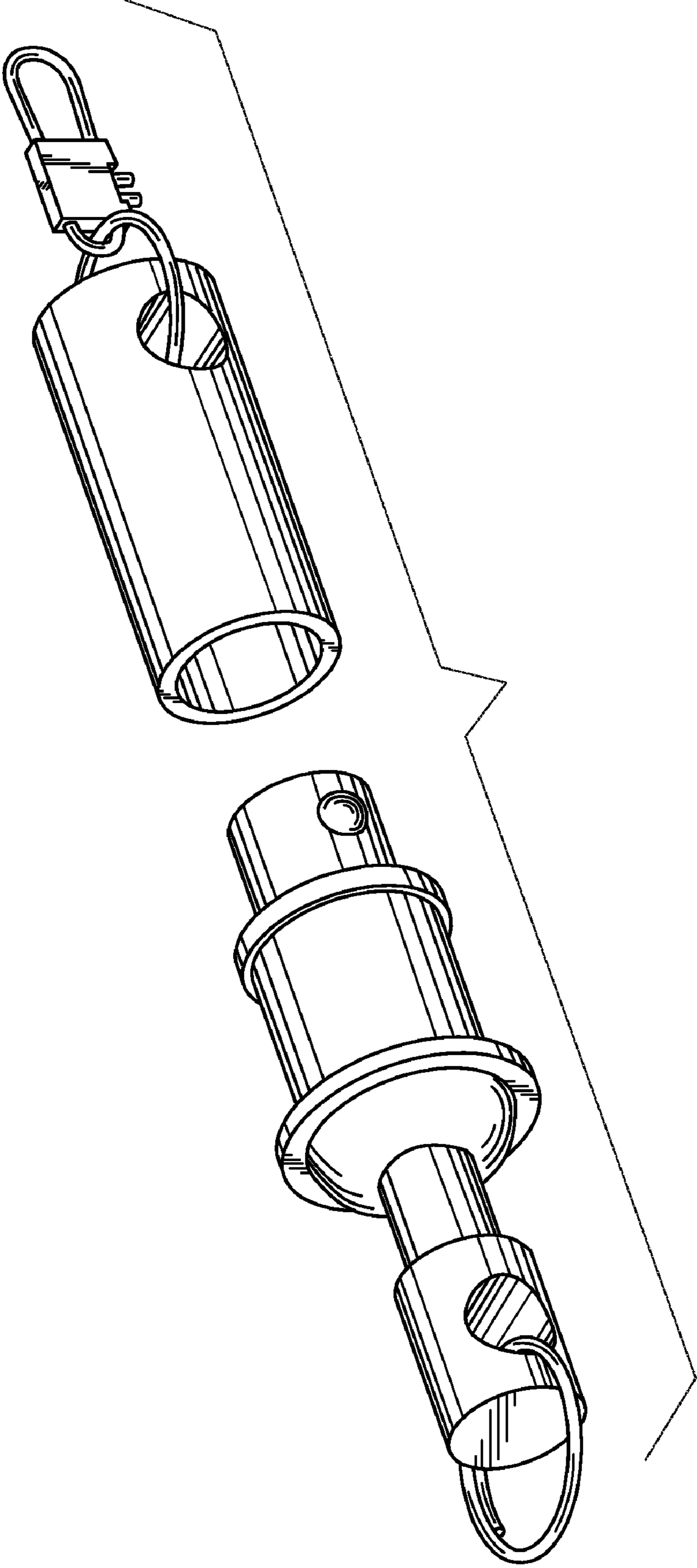


Fig. 1

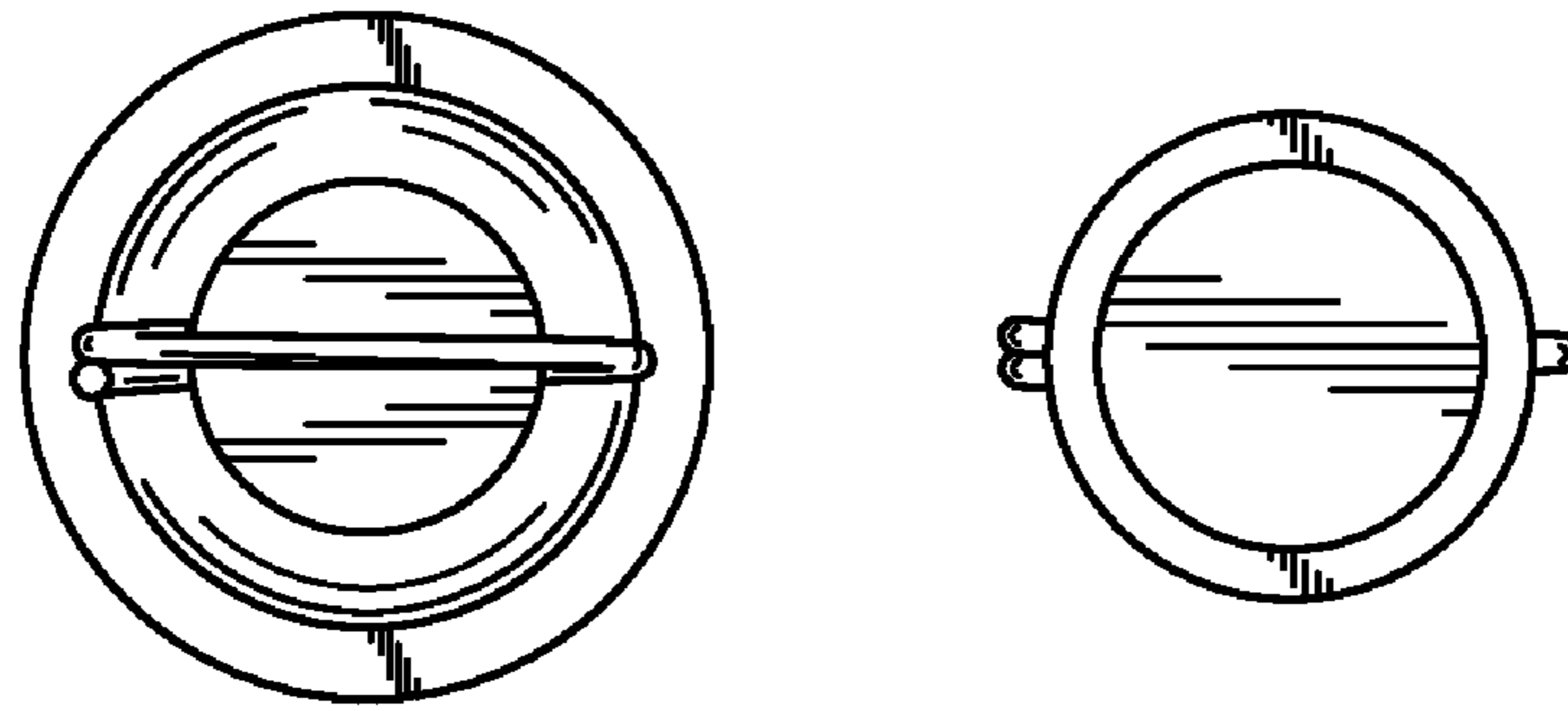


Fig. 2

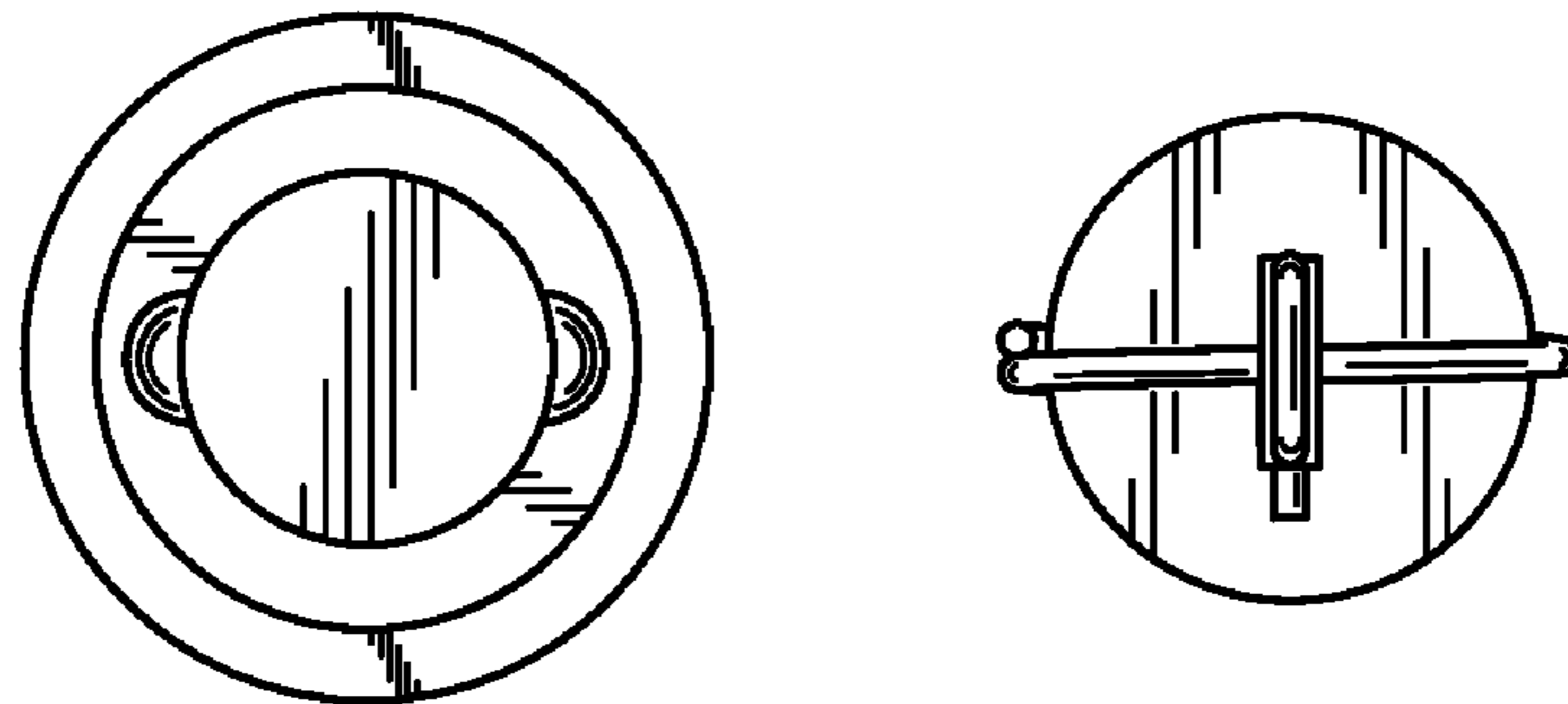


Fig. 3

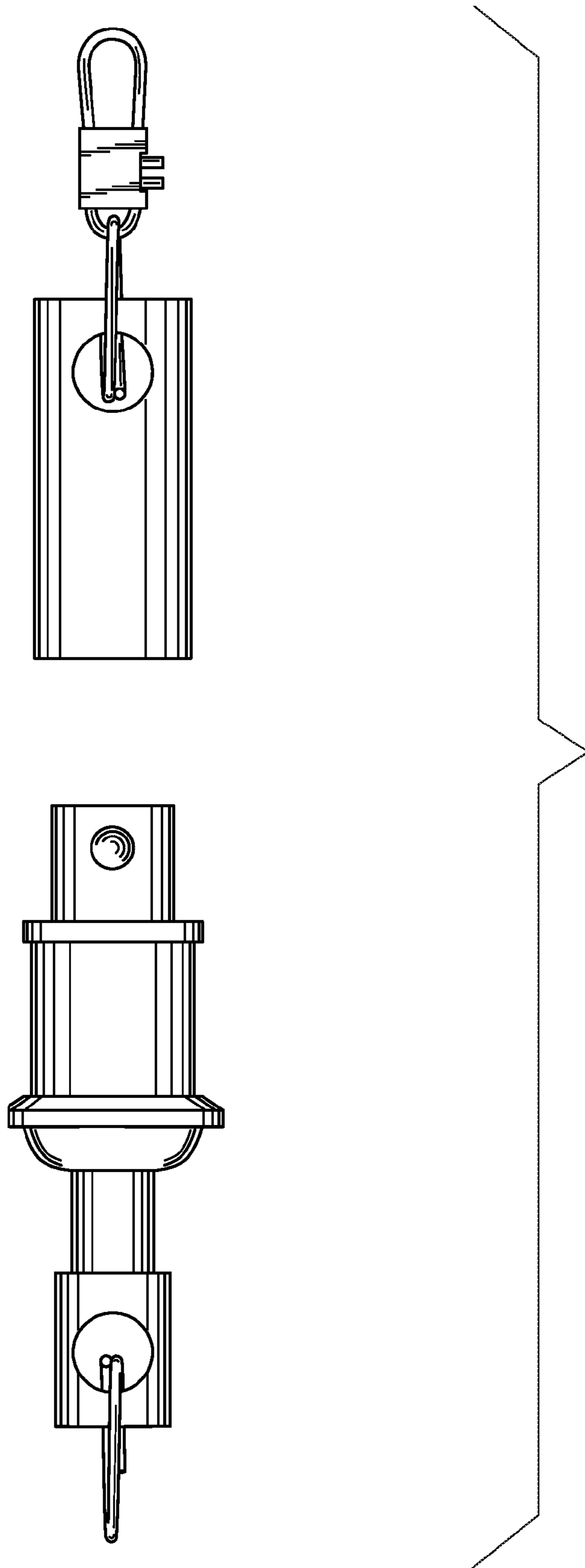


Fig. 4

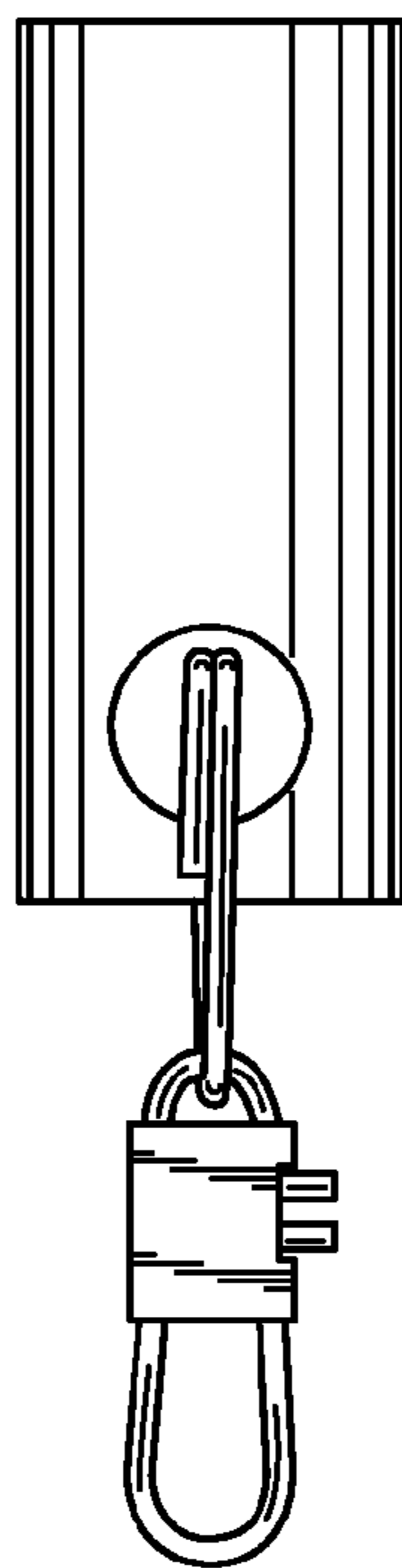
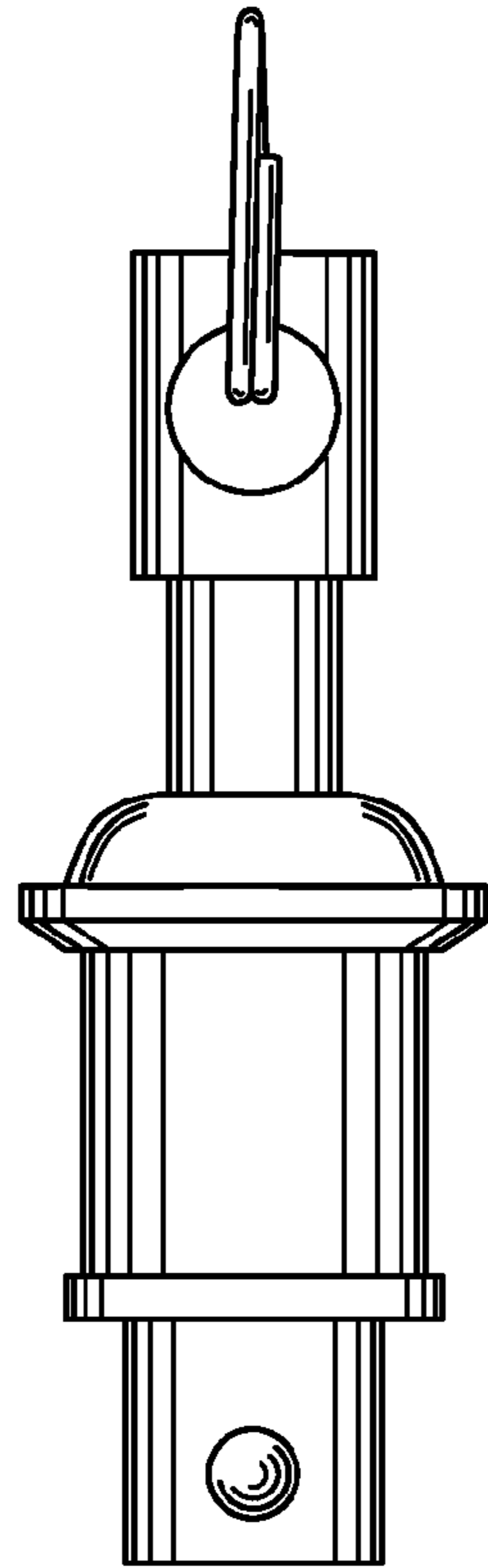


Fig. 5

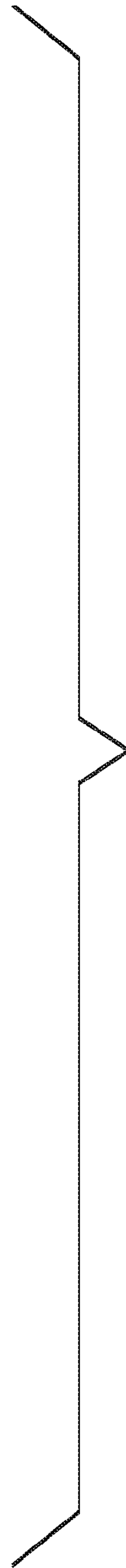
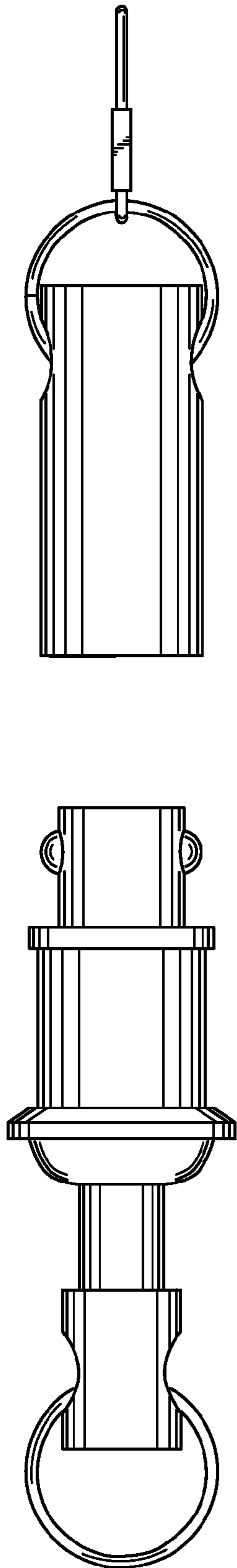


Fig. 6

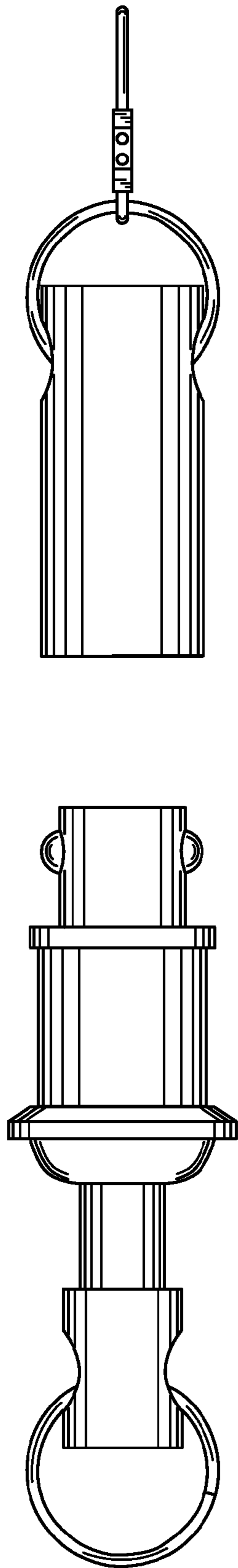


Fig. 7

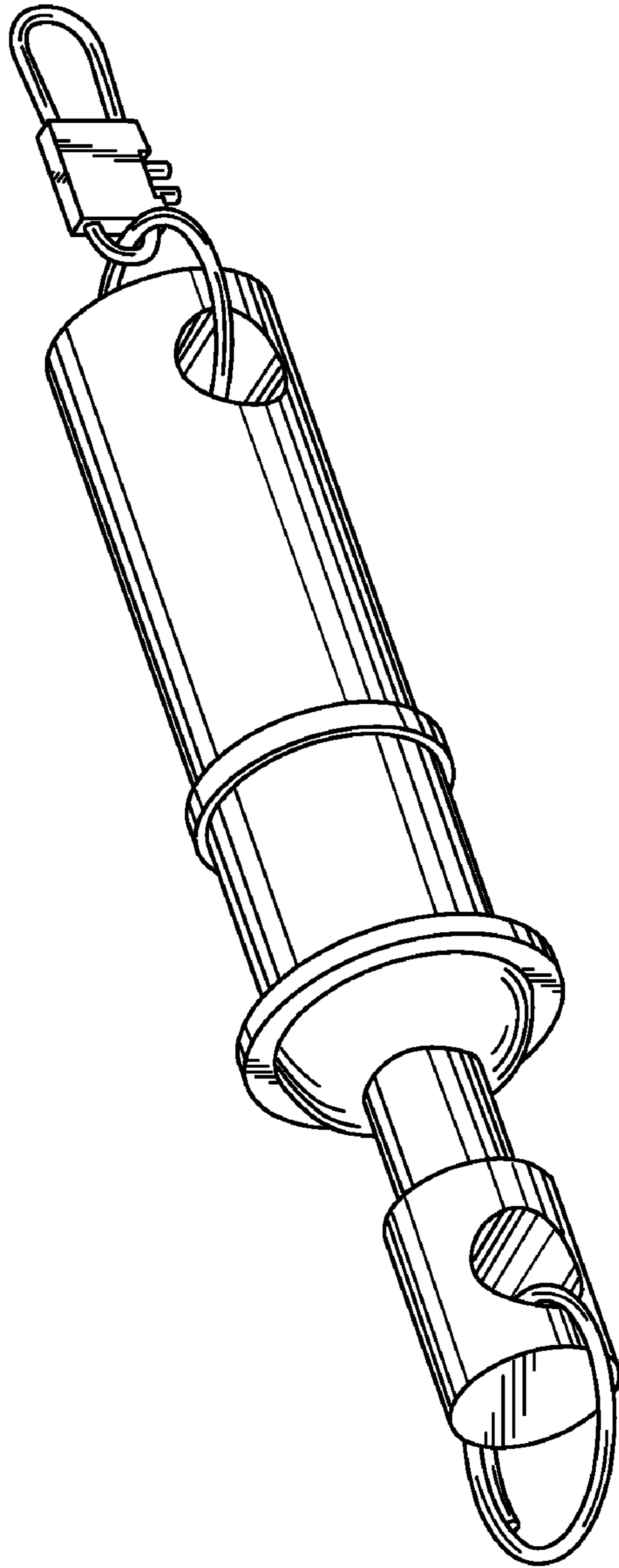


Fig. 8

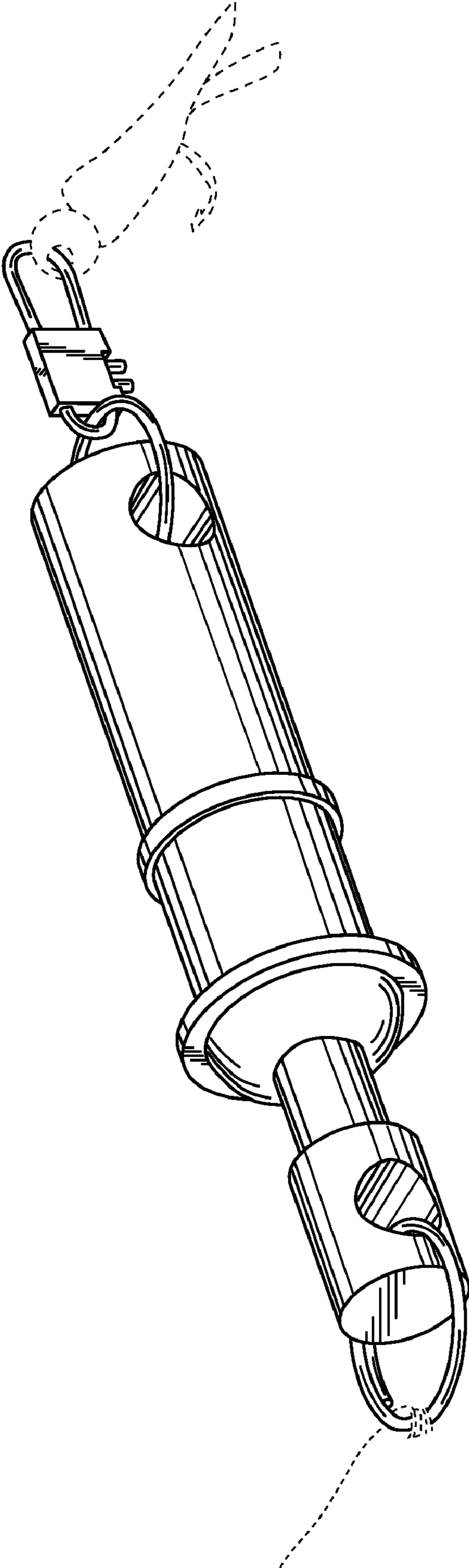


Fig. 9