



US00D633170S

(12) **United States Design Patent**
Somogyi

(10) **Patent No.:** **US D633,170 S**
(45) **Date of Patent:** **** Feb. 22, 2011**

(54) **FISHING LURE**

FOREIGN PATENT DOCUMENTS

(76) Inventor: **Peter Somogyi**, 8 Carlyle Street, Enfield,
NSW (AU) 2136

AU 199891388 A1 6/1999

(**) Term: **14 Years**

(Continued)

(21) Appl. No.: **29/365,591**

OTHER PUBLICATIONS

(22) Filed: **Jul. 12, 2010**

International Search Report and Written Opinion dated Nov. 21, 2008
re PCT/AU2008/001066.

(30) **Foreign Application Priority Data**

Primary Examiner—Catherine R Oliver
(74) *Attorney, Agent, or Firm*—Howard & Howard Attorneys
PLLC

Feb. 1, 2010 (AU) 201010364

(51) **LOC (9) Cl.** **22-05**

(57) **CLAIM**

(52) **U.S. Cl.** **D22/133**

(58) **Field of Classification Search** D22/126–133;
43/37, 42.03, 42.06, 42.09, 42.24, 42.26,
43/42.4, 42.38, 42.39, 42.48, 46, 44.81

The ornamental design for a fishing lure, as shown and
described herein.

See application file for complete search history.

DESCRIPTION

(56) **References Cited**

FIG. 1 is a perspective view of the fishing lure;
FIG. 2 is a side elevational view of a first side of the fishing
lure;
FIG. 3 is a side elevational view of a second side of the fishing
lure;
FIG. 4 is a top view of the fishing lure;
FIG. 5 is a bottom view of the fishing lure;
FIG. 6 is a front elevational view of the fishing lure;
FIG. 7 is a rear elevational view of the fishing lure; and,
FIG. 8 is a side elevational view of the fishing lure, with the
access door to the interior of the fishing lure shown in an open
position.

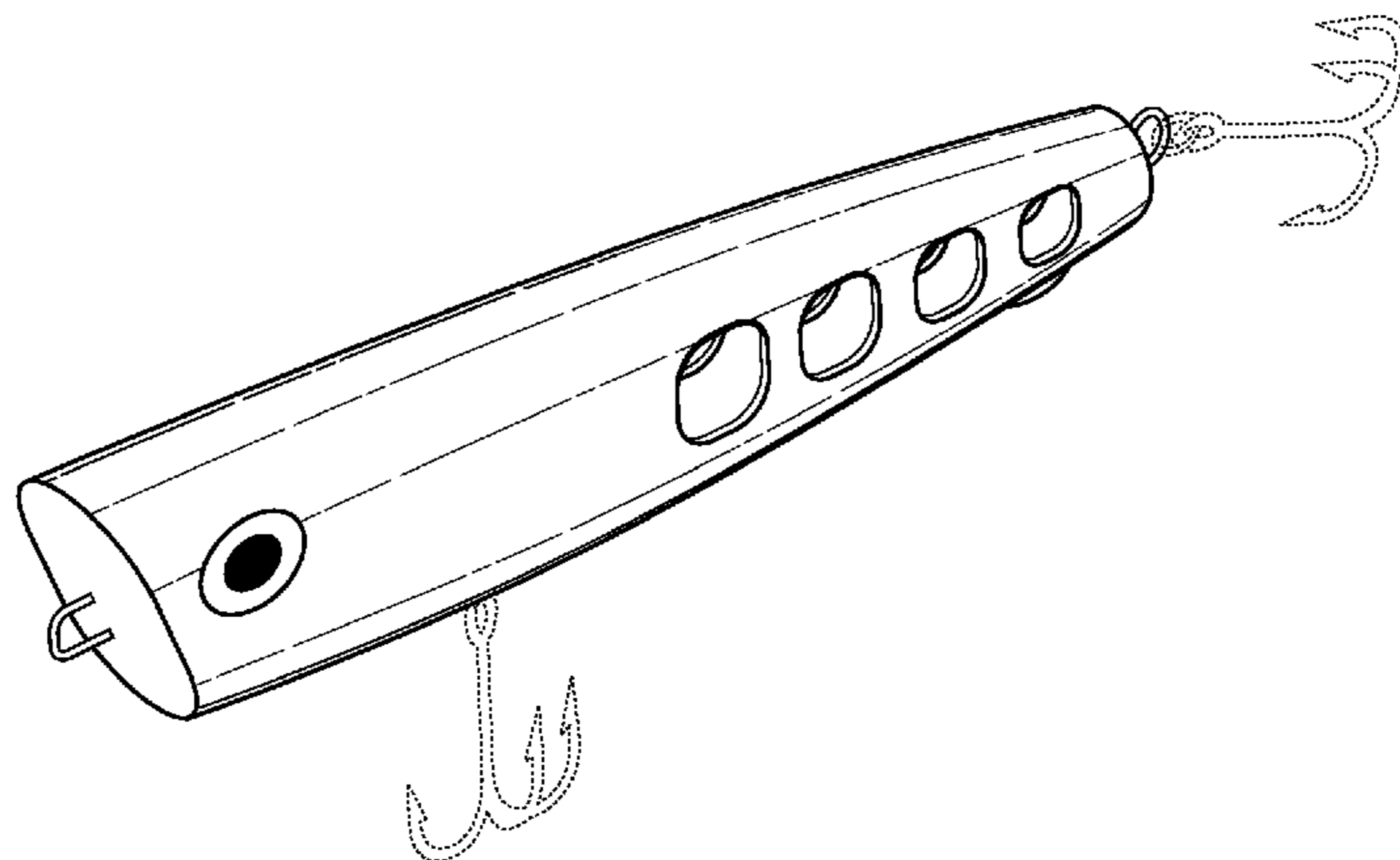
U.S. PATENT DOCUMENTS

2,500,451 A	3/1950	Codd	
2,557,577 A	6/1951	Soma	
2,703,945 A	3/1955	Johnson	
3,196,574 A *	7/1965	Weimer	43/42.03
D243,689 S *	3/1977	Price	D22/130
4,033,063 A	7/1977	Mize	
4,453,335 A	6/1984	Smith	
4,630,389 A	12/1986	Higgins	
4,881,340 A *	11/1989	Davis	43/42.06
5,301,453 A	4/1994	Terrill	
5,331,762 A	7/1994	Banks	
5,369,906 A	12/1994	Anterni	
5,444,935 A	8/1995	Pahle	
D418,193 S *	12/1999	Johnson	D22/132
D444,202 S *	6/2001	Chigounis	D22/132

The broken line showing of environment in the drawings is
included for the purpose of illustrating only and forms no part
of the claimed design.

(Continued)

1 Claim, 3 Drawing Sheets



US D633,170 S

Page 2

U.S. PATENT DOCUMENTS

6,857,220 B2 2/2005 King
7,036,264 B2 5/2006 Barbary
7,263,798 B2 9/2007 Nichols
7,337,579 B2 * 3/2008 Thomas 43/42.48
D583,436 S * 12/2008 Kohler D22/131

2004/0031186 A1 2/2004 Soldan et al.

FOREIGN PATENT DOCUMENTS

WO 2009/149488 A1 12/2009

* cited by examiner

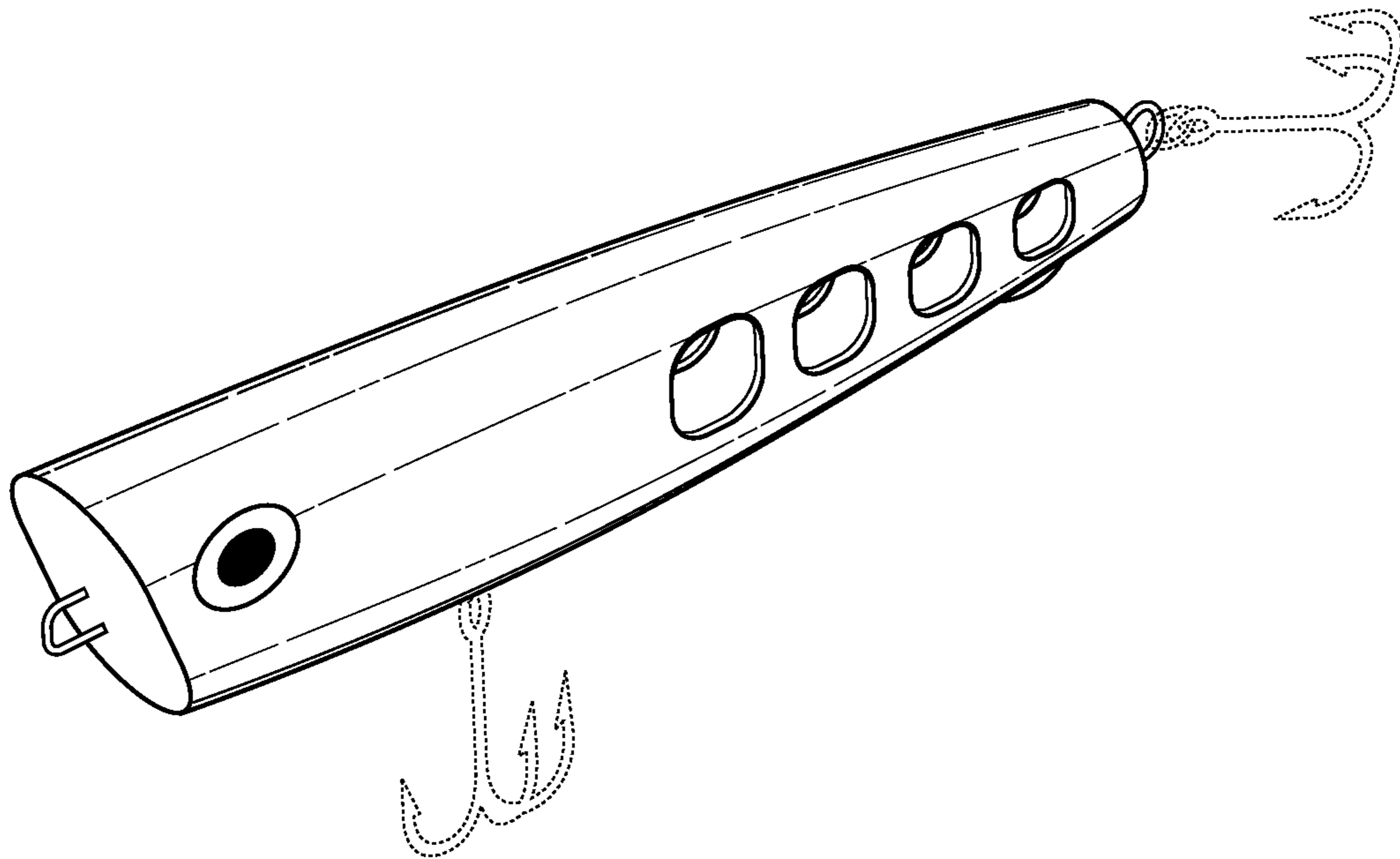
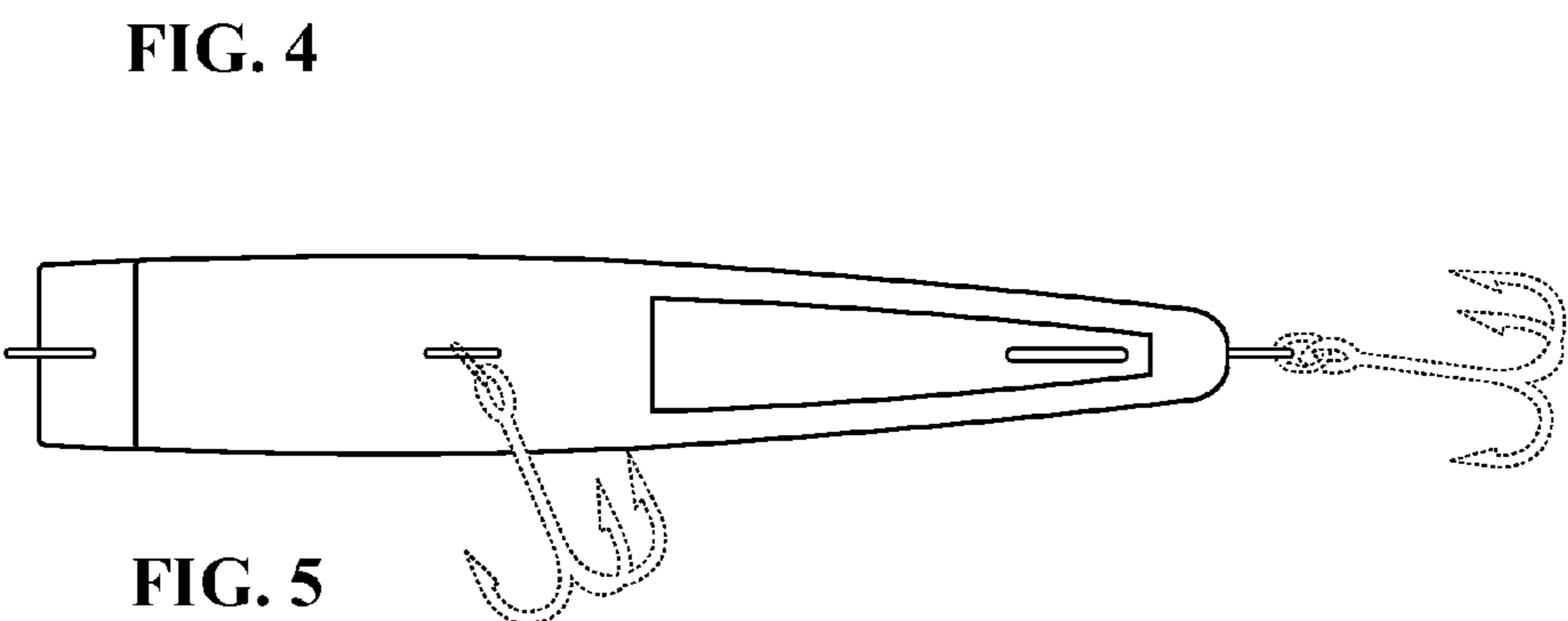
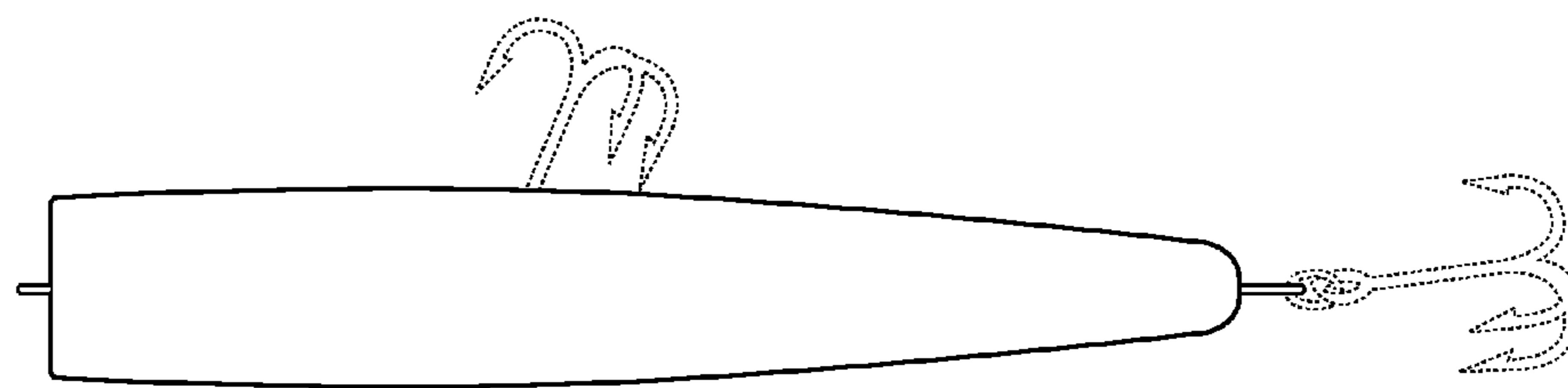
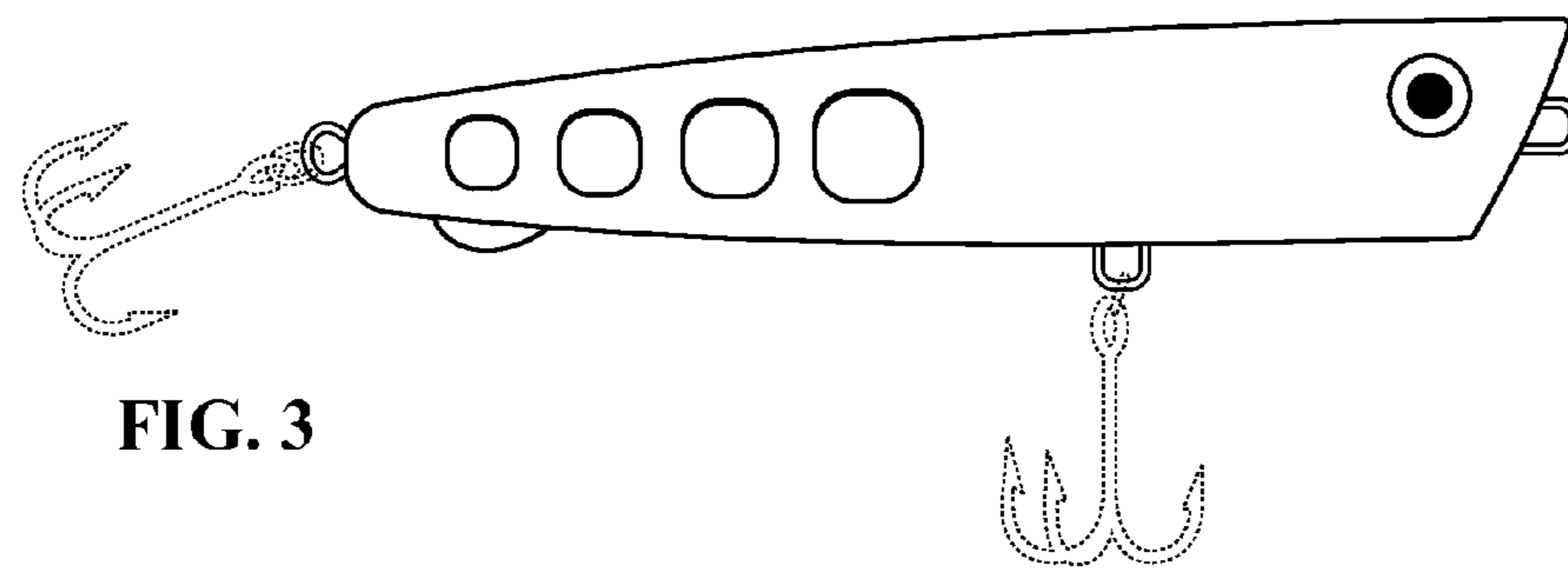
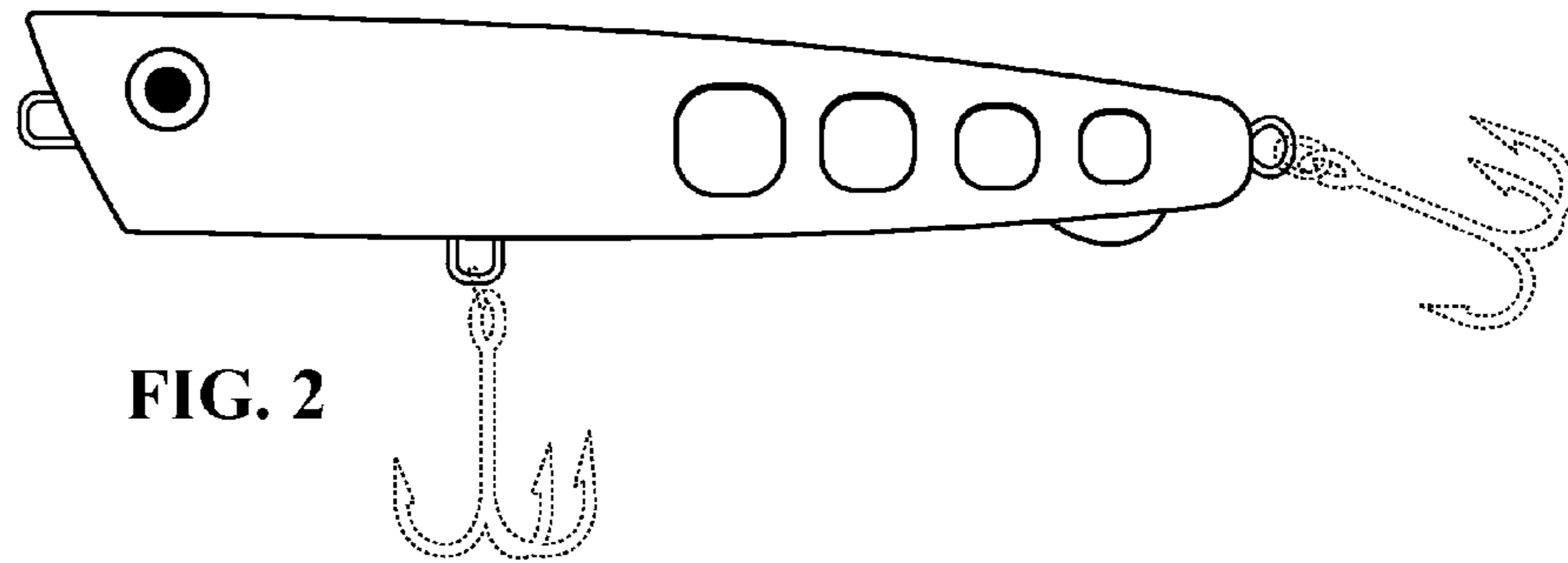


FIG. 1



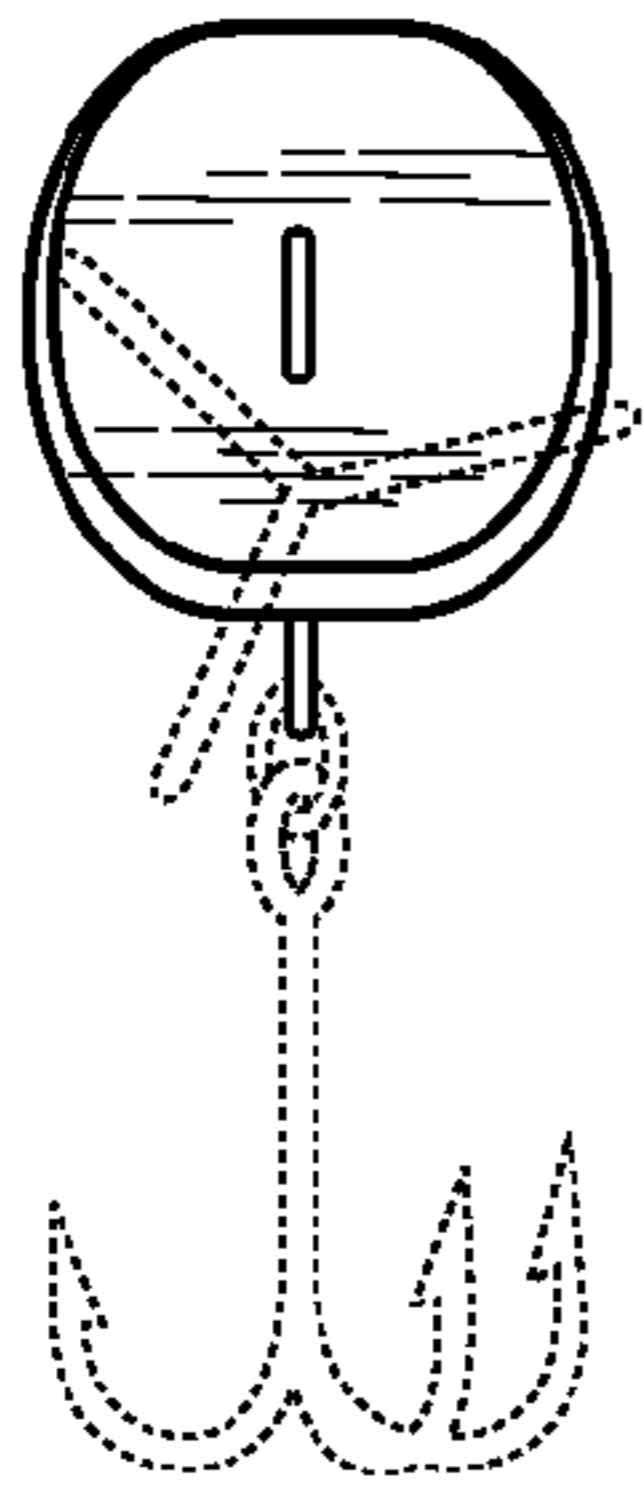


FIG. 6

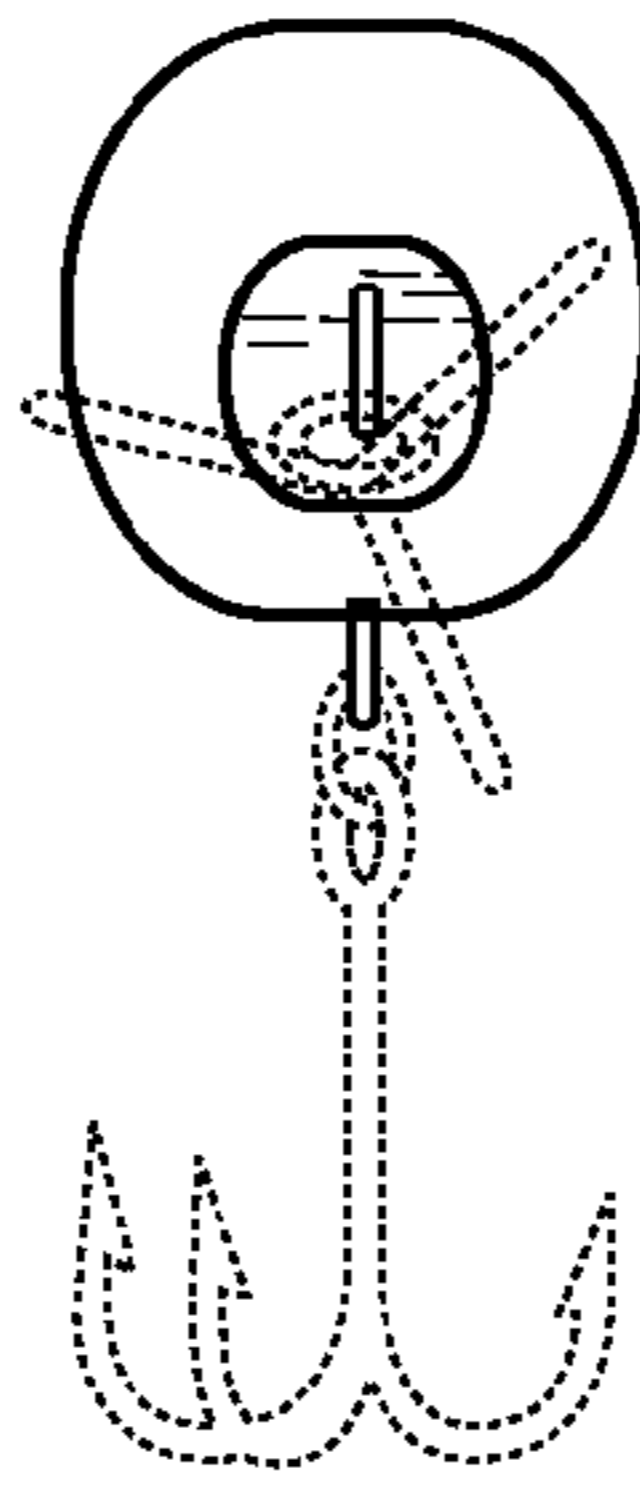


FIG. 7

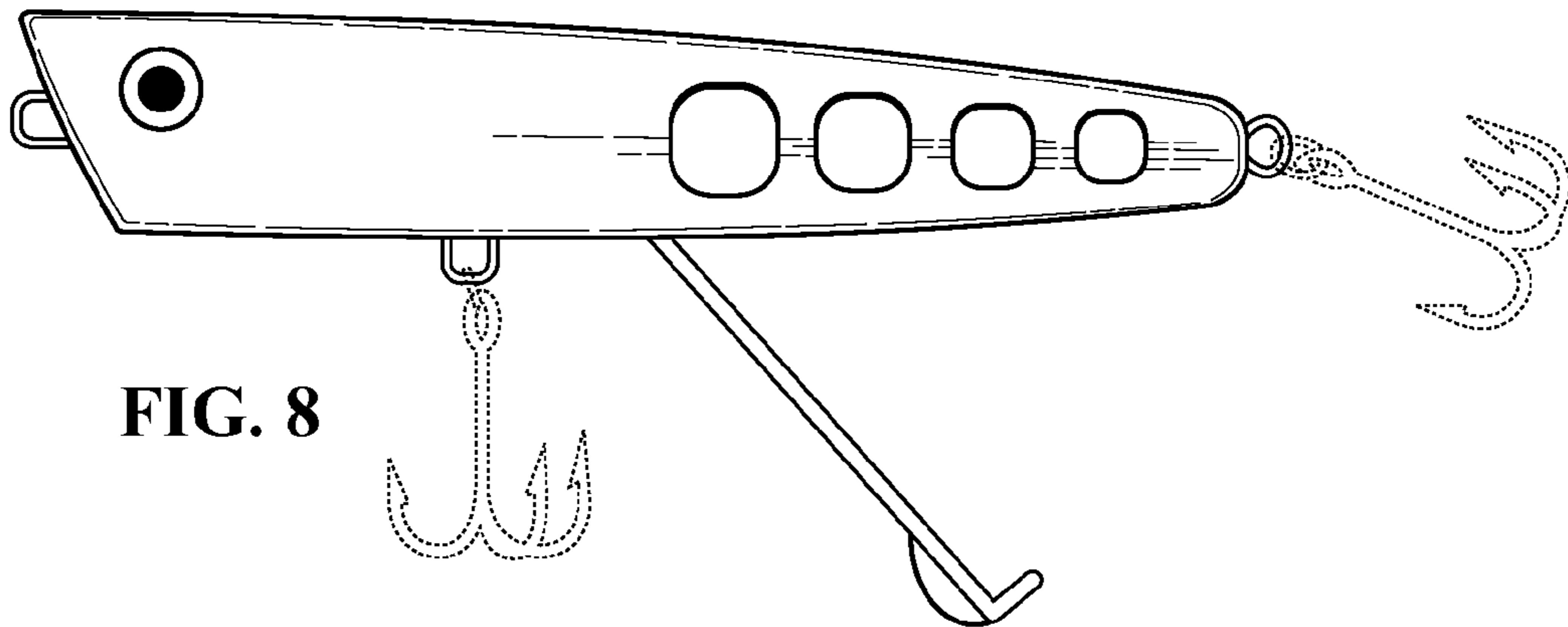


FIG. 8