



US00D633169S

(12) **United States Design Patent**  
**Somogyi**

(10) **Patent No.:** **US D633,169 S**

(45) **Date of Patent:** **\*\* Feb. 22, 2011**

(54) **FISHING LURE**

(76) **Inventor:** **Peter Somogyi**, 8 Carlyle Street, Enfield,  
NSW (AU) 2136

(\*\*) **Term:** **14 Years**

(21) **Appl. No.:** **29/363,503**

(22) **Filed:** **Jun. 10, 2010**

(30) **Foreign Application Priority Data**

Dec. 14, 2009 (AU) ..... 200914870

(51) **LOC (9) Cl.** ..... **22-05**

(52) **U.S. Cl.** ..... **D22/131**

(58) **Field of Classification Search** ..... D22/126–133;  
43/37, 42.06, 42.09, 42.4, 42.24, 42.26, 46,  
43/42.39, 42.38, 44.81

See application file for complete search history.

(56) **References Cited**

**U.S. PATENT DOCUMENTS**

2,500,451 A	3/1950	Codd	
2,557,577 A	6/1951	Soma	
2,703,945 A	3/1955	Johnson	
4,033,063 A	7/1977	Mize	
4,453,335 A	6/1984	Smith	
4,630,389 A	12/1986	Higgins	
D299,264 S *	1/1989	Bagley, Sr.	..... D22/133
4,881,340 A	11/1989	Davis	
5,301,453 A	4/1994	Terrill	
5,331,762 A	7/1994	Banks	
5,369,906 A	12/1994	Anterni	
5,444,935 A	8/1995	Pahle	
D441,790 S *	5/2001	Cox	..... D22/131
6,857,220 B2	2/2005	King	
7,036,264 B2	5/2006	Barbary	
7,263,798 B2	9/2007	Nichols	

D583,436 S *	12/2008	Kohler	..... D22/131
D621,469 S *	8/2010	Dennison et al.	..... D22/133
2004/0031186 A1	2/2004	Soldan et al.	

**FOREIGN PATENT DOCUMENTS**

AU	199891388 A1	6/1999
WO	2009/149488 A1	12/2009

\* cited by examiner

*Primary Examiner*—Catherine R Oliver

(74) *Attorney, Agent, or Firm*—Howard & Howard Attorneys  
PLLC

(57) **CLAIM**

The ornamental design for a fishing lure, as shown and described herein.

**DESCRIPTION**

FIG. 1 is a perspective view of the fishing lure;

FIG. 2 is a side elevational view of a first side of the fishing lure;

FIG. 3 is a side elevational view of a second side of the fishing lure;

FIG. 4 is a top view of the fishing lure;

FIG. 5 is a bottom view of the fishing lure;

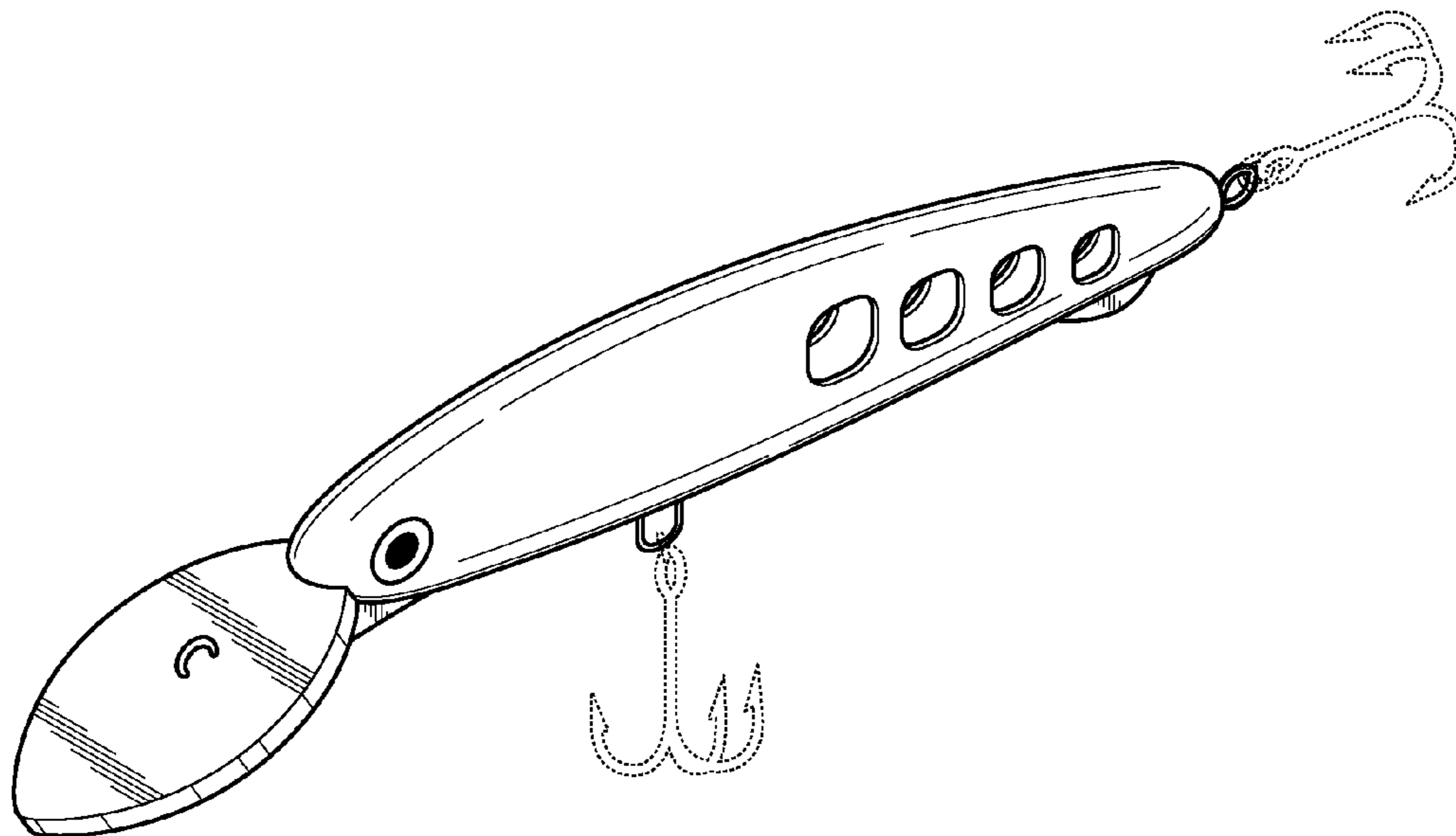
FIG. 6 is a front elevational view of the fishing lure;

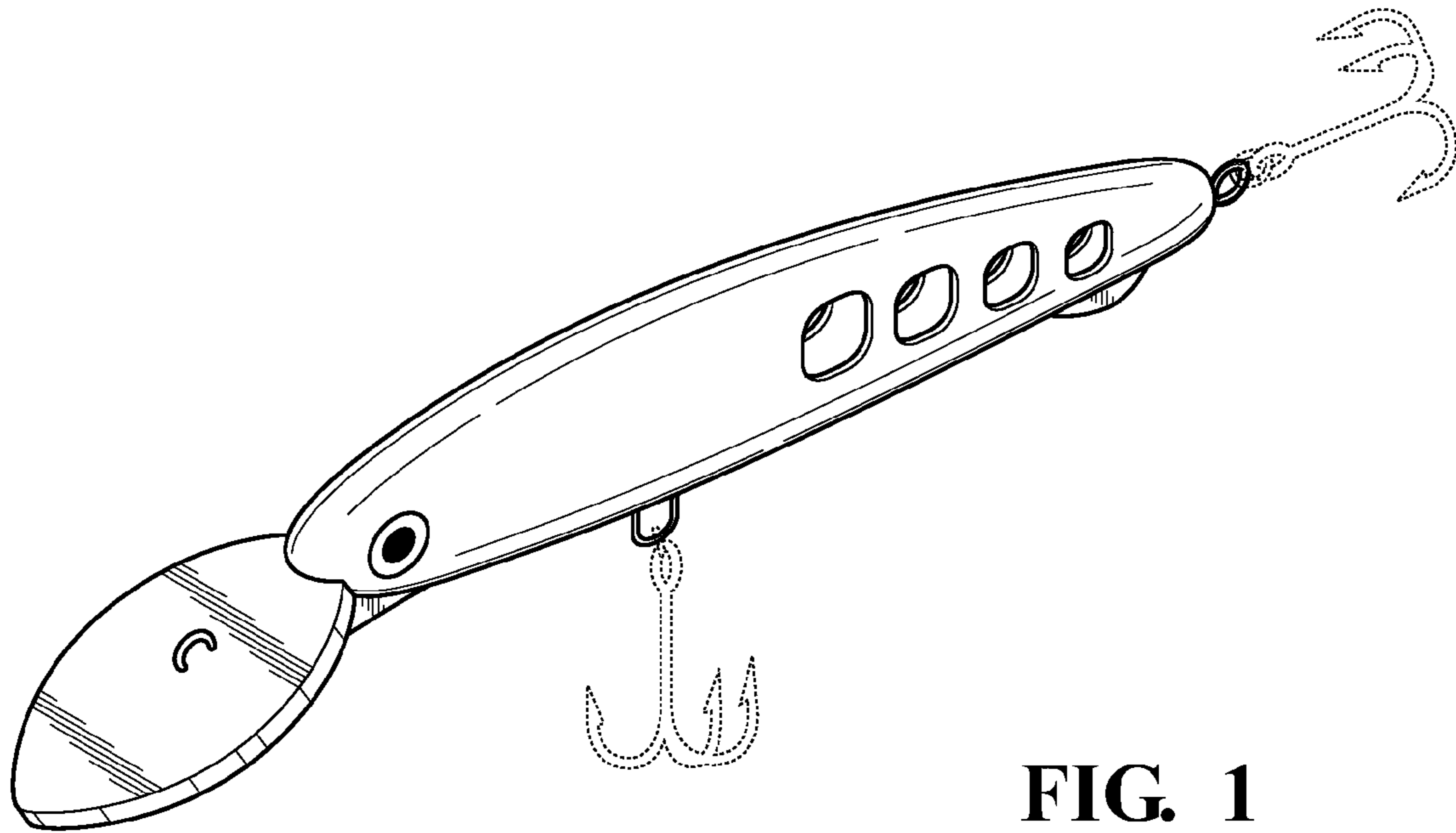
FIG. 7 is a rear elevational view of the fishing lure; and,

FIG. 8 is a side elevational view of the fishing lure, with the access door to the interior of the fishing lure shown in an open position.

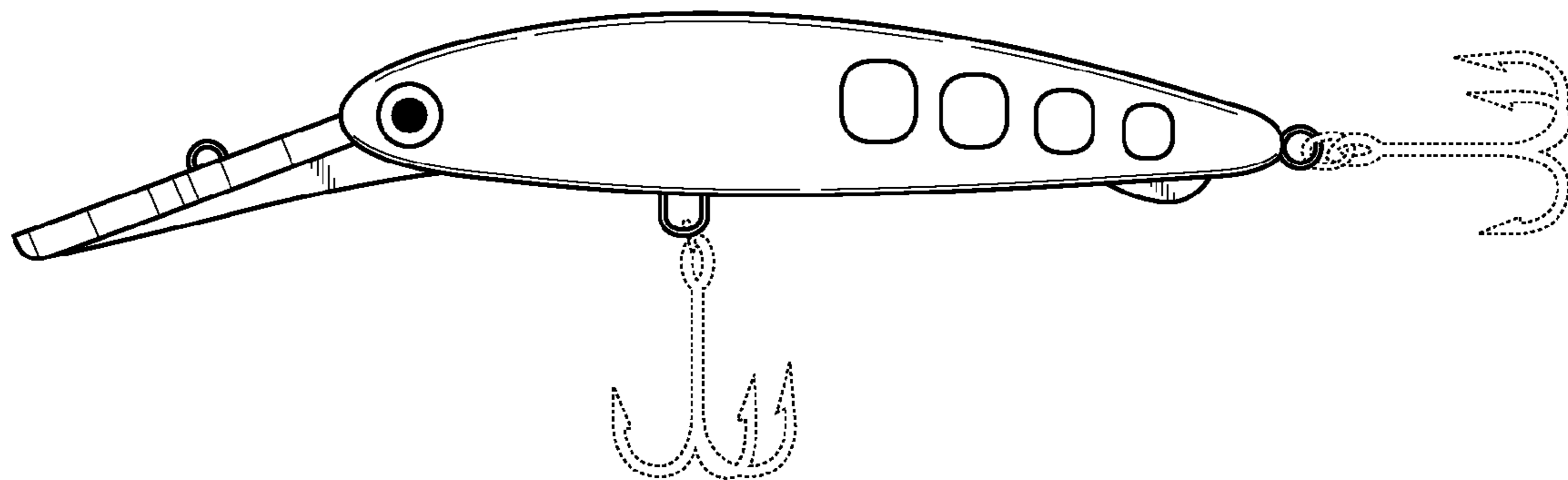
The broken line showing of environment in the drawings is included for the purpose of illustrating only and forms no part of the claimed design.

**1 Claim, 3 Drawing Sheets**





**FIG. 1**



**FIG. 2**

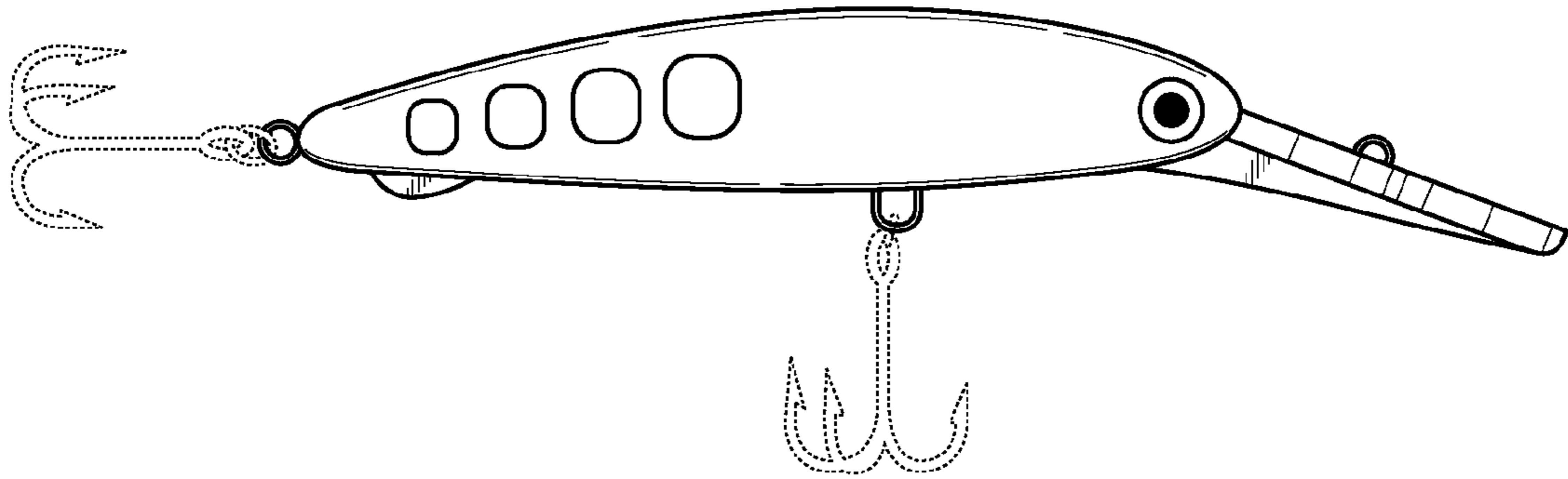


FIG. 3

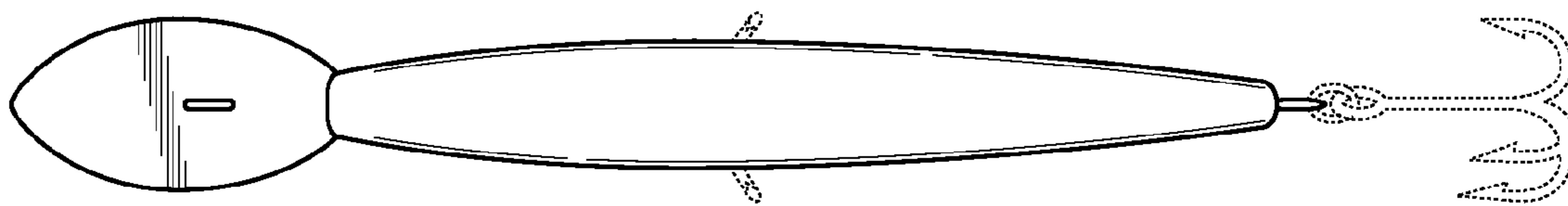


FIG. 4

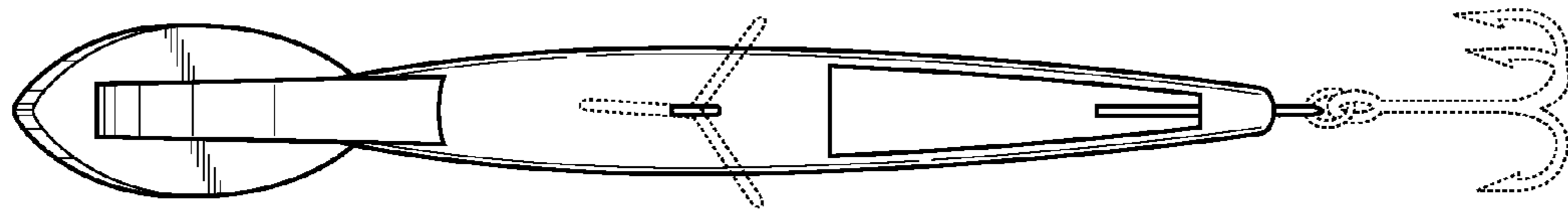


FIG. 5

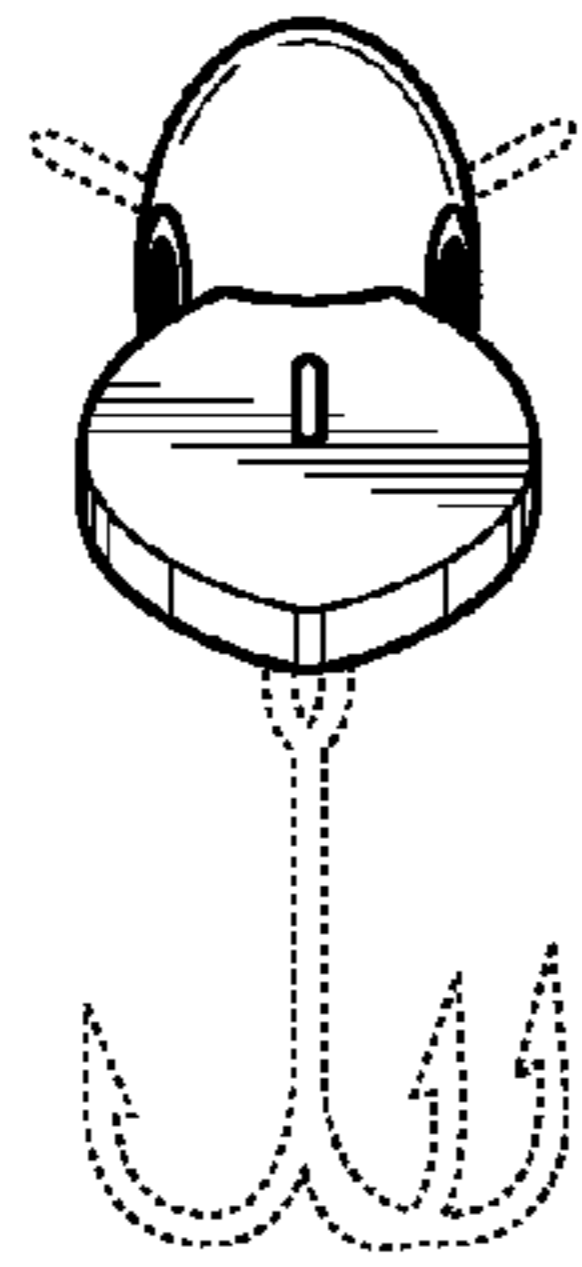


FIG. 6

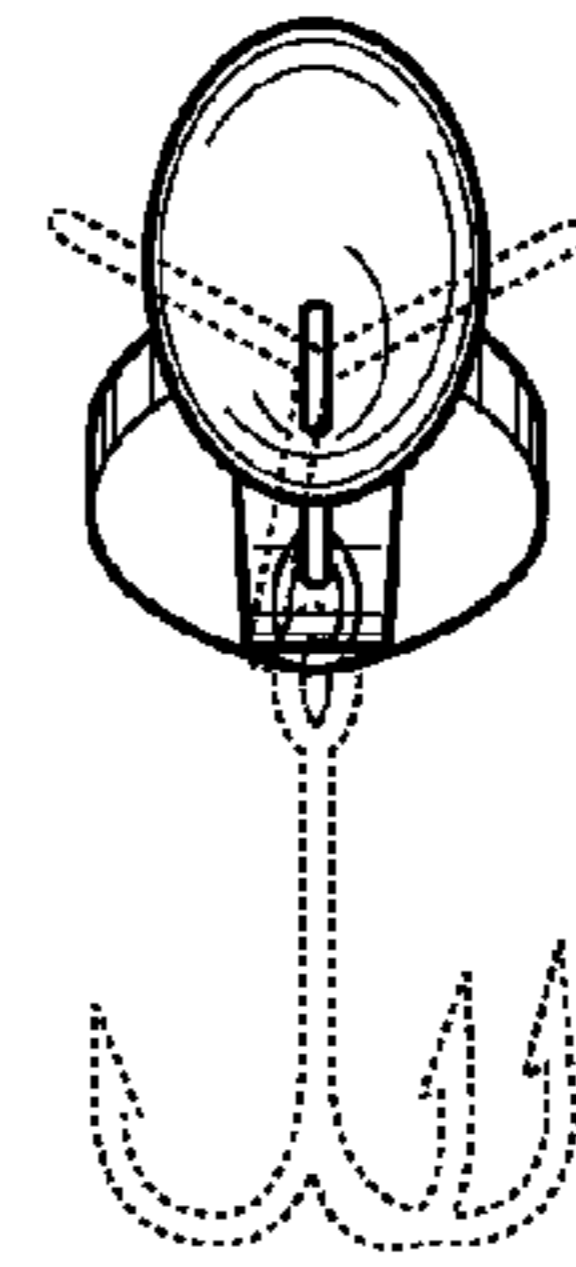


FIG. 7

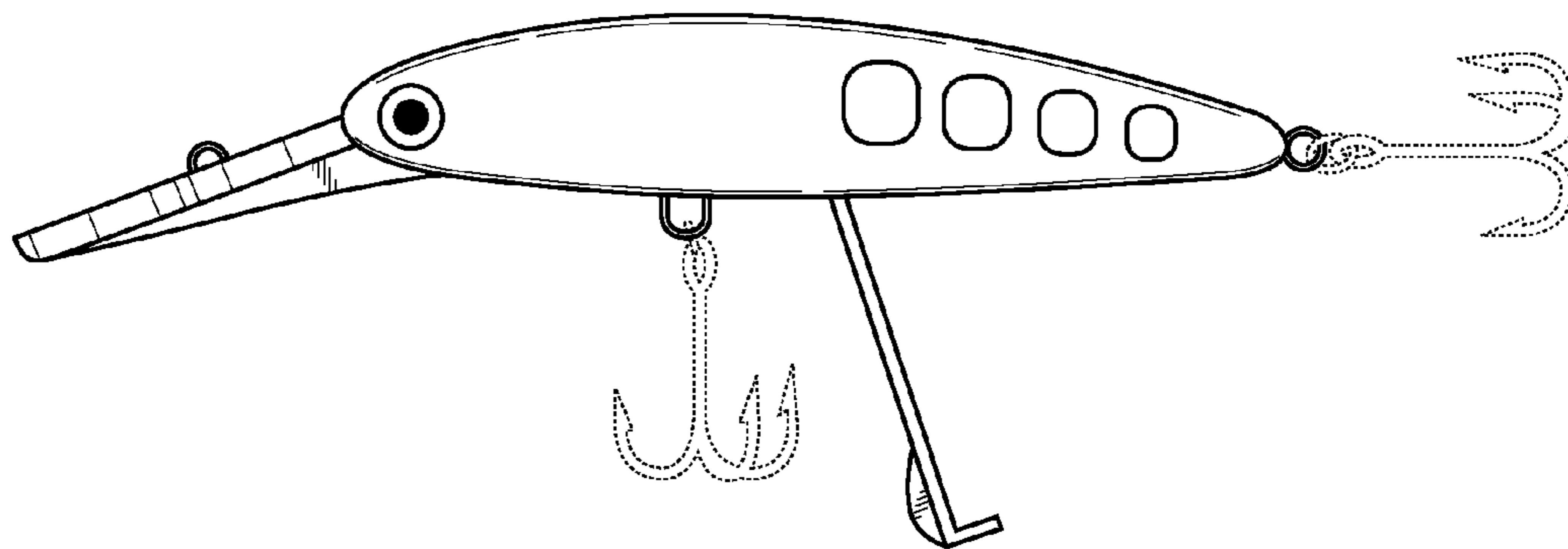


FIG. 8