



US00D633168S

(12) **United States Design Patent**
Somogyi

(10) **Patent No.:** **US D633,168 S**

(45) **Date of Patent:** **** Feb. 22, 2011**

(54) **FISHING LURE**

(76) **Inventor:** **Peter Somogyi**, 8 Carlyle Street, Enfield,
NSW (AU) 2136

(**) **Term:** **14 Years**

(21) **Appl. No.:** **29/366,193**

(22) **Filed:** **Jul. 21, 2010**

(30) **Foreign Application Priority Data**

Feb. 1, 2010 (AU) 201010363

(51) **LOC (9) Cl.** **22-05**

(52) **U.S. Cl.** **D22/126**

(58) **Field of Classification Search** D22/126-133;
43/37, 42.03, 42.06, 42.09, 42.16, 42.18,
43/42.24, 42.26, 42.28, 42.38, 42.39, 42.48,
43/46

See application file for complete search history.

(56) **References Cited**

U.S. PATENT DOCUMENTS

2,500,451 A	3/1950	Codd	
2,557,577 A	6/1951	Soma	
2,703,945 A	3/1955	Johnson	
3,530,612 A *	9/1970	Garrison	43/42.16
3,757,454 A *	9/1973	Shurley	43/42.16
4,033,063 A	7/1977	Mize	
4,453,335 A	6/1984	Smith	
4,630,389 A	12/1986	Higgins	
4,881,340 A	11/1989	Davis	
5,301,453 A	4/1994	Terrill	
5,331,762 A	7/1994	Banks	

5,369,906 A	12/1994	Anterni	
5,444,935 A	8/1995	Pahle	
D478,961 S *	8/2003	Acker	D22/126
6,857,220 B2	2/2005	King	
7,036,264 B2	5/2006	Barbary	
7,263,798 B2	9/2007	Nichols	
2004/0031186 A1	2/2004	Soldan et al.	

FOREIGN PATENT DOCUMENTS

AU	199891388 A1	6/1999
WO	2009/149488 A1	12/2009

* cited by examiner

Primary Examiner—Catherine R Oliver

(74) *Attorney, Agent, or Firm*—Howard & Howard Attorneys
PLLC

(57) **CLAIM**

The ornamental design for a fishing lure, as shown and described herein.

DESCRIPTION

FIG. 1 is a perspective view of the fishing lure;

FIG. 2 is a side elevational view of a first side of the fishing lure;

FIG. 3 is a side elevational view of a second side of the fishing lure;

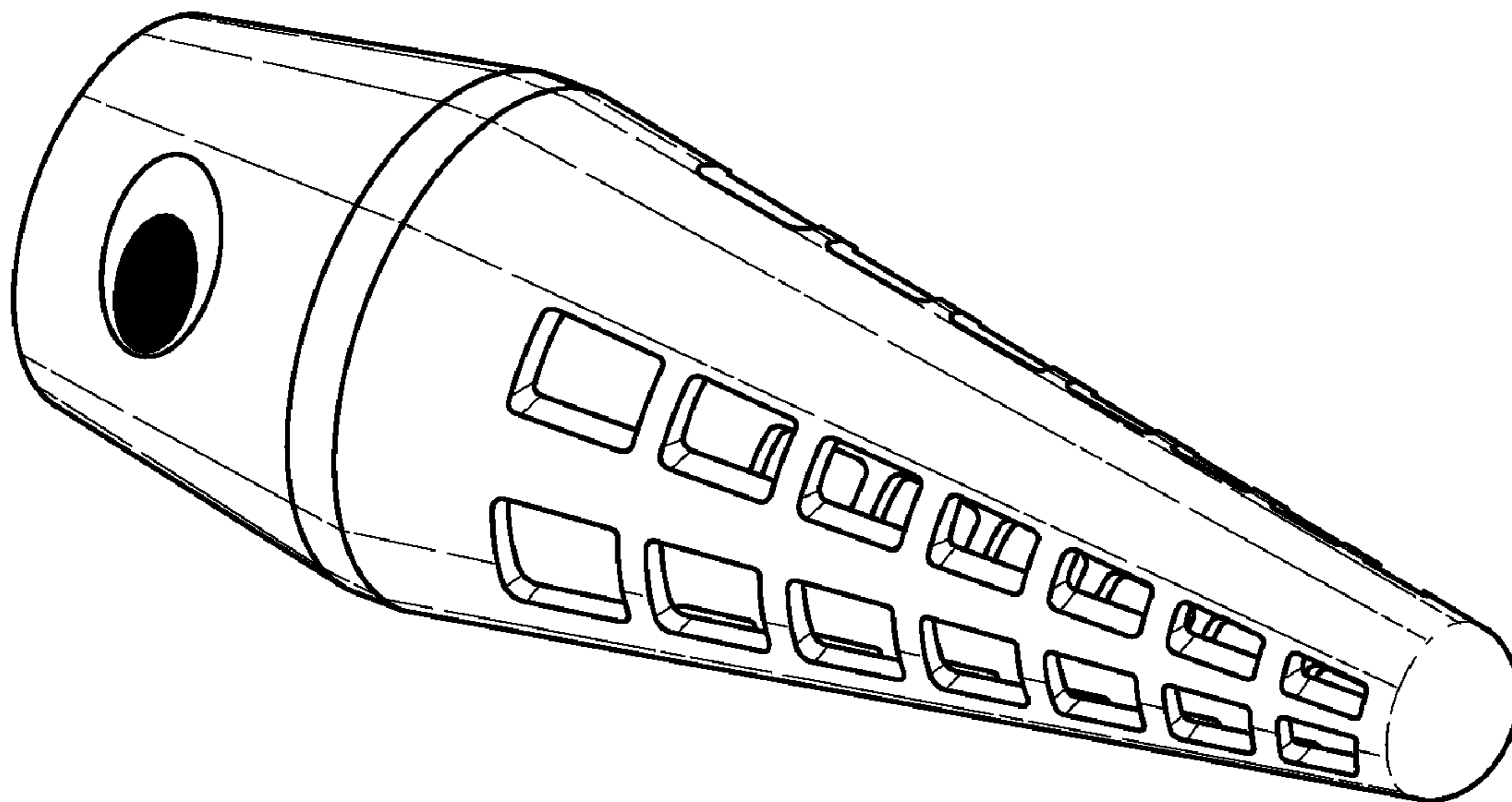
FIG. 4 is a top view of the fishing lure;

FIG. 5 is a bottom view of the fishing lure;

FIG. 6 is a front elevational view of the fishing lure; and,

FIG. 7 is a rear elevational view of the fishing lure.

1 Claim, 3 Drawing Sheets



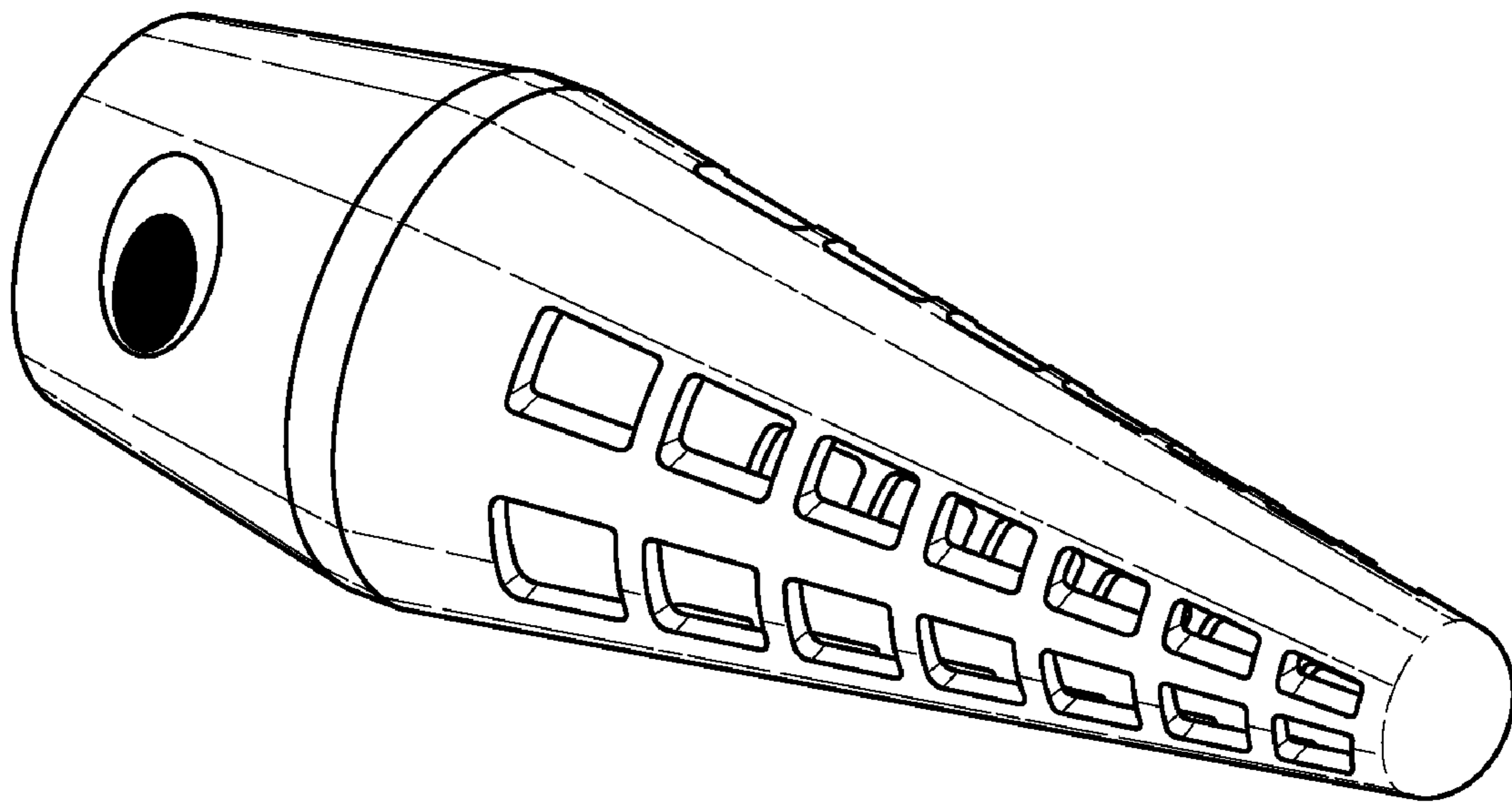


FIG. 1

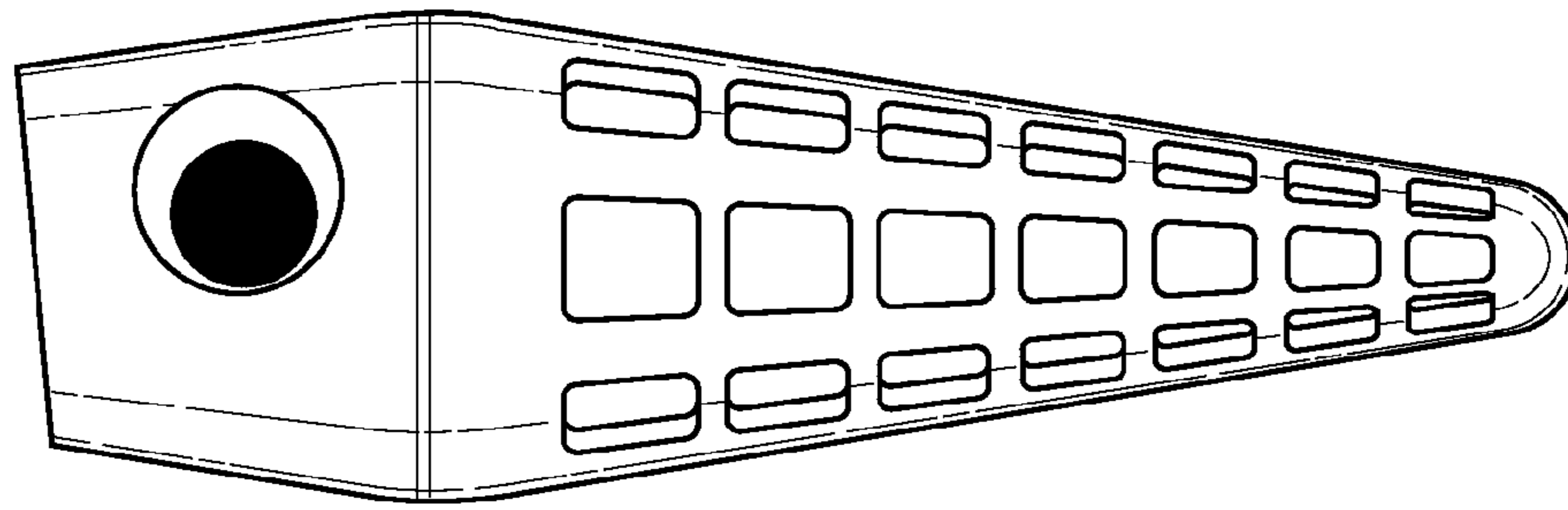


FIG. 2

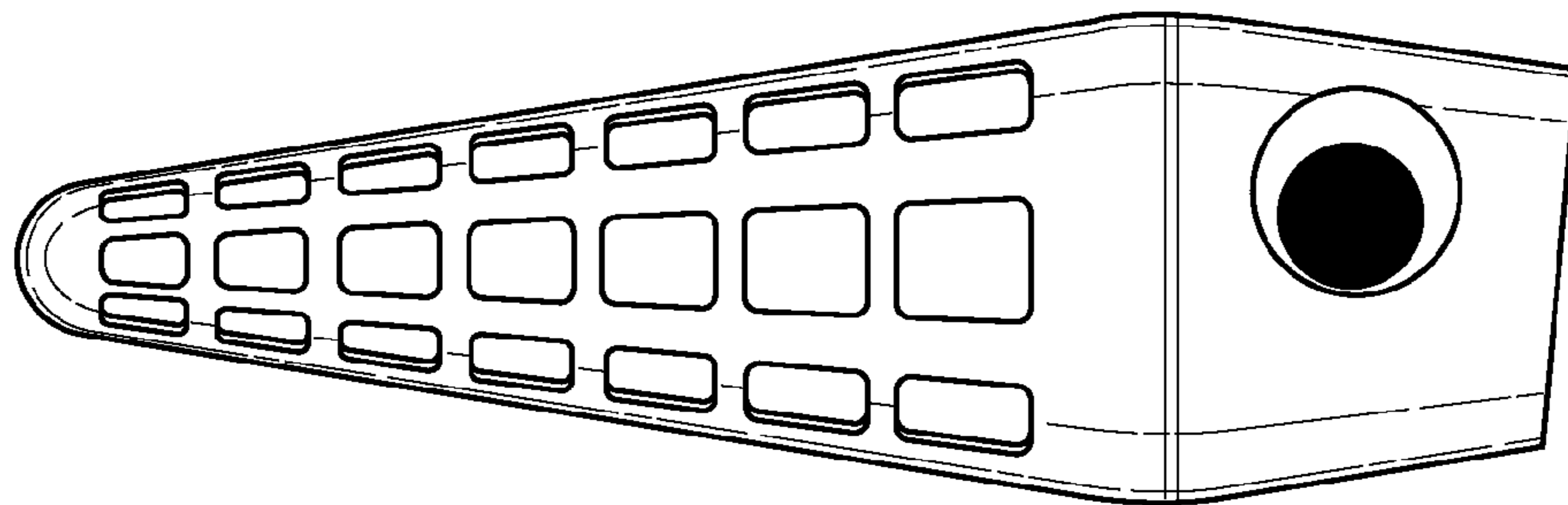


FIG. 3

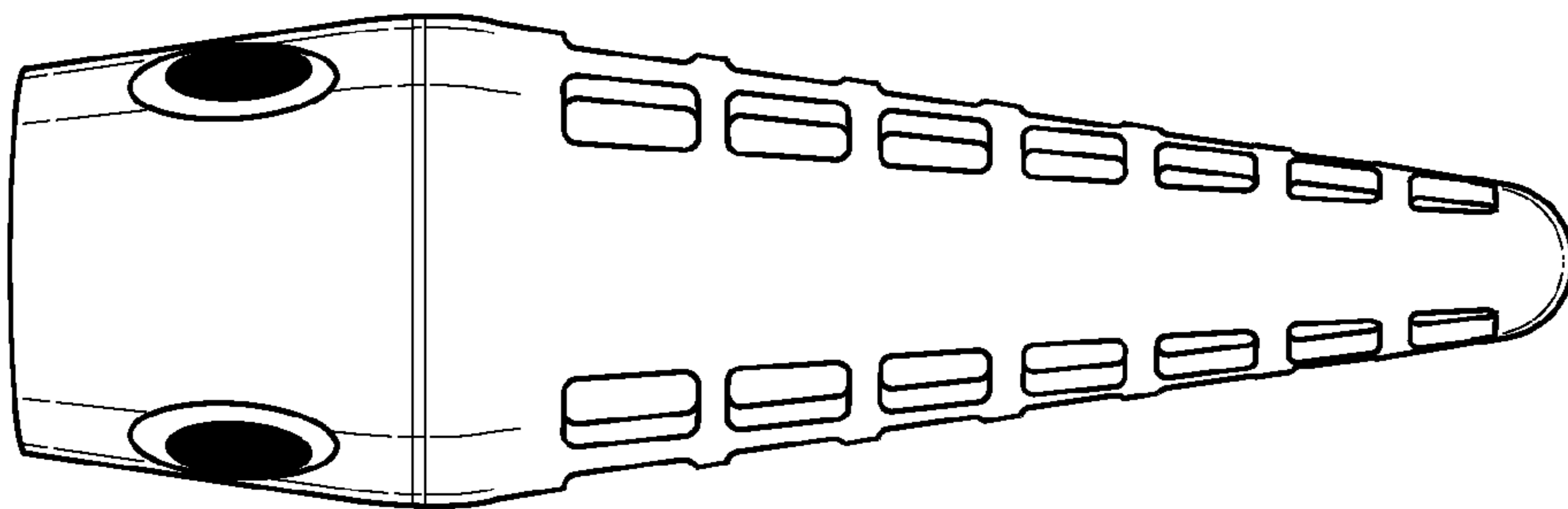


FIG. 4

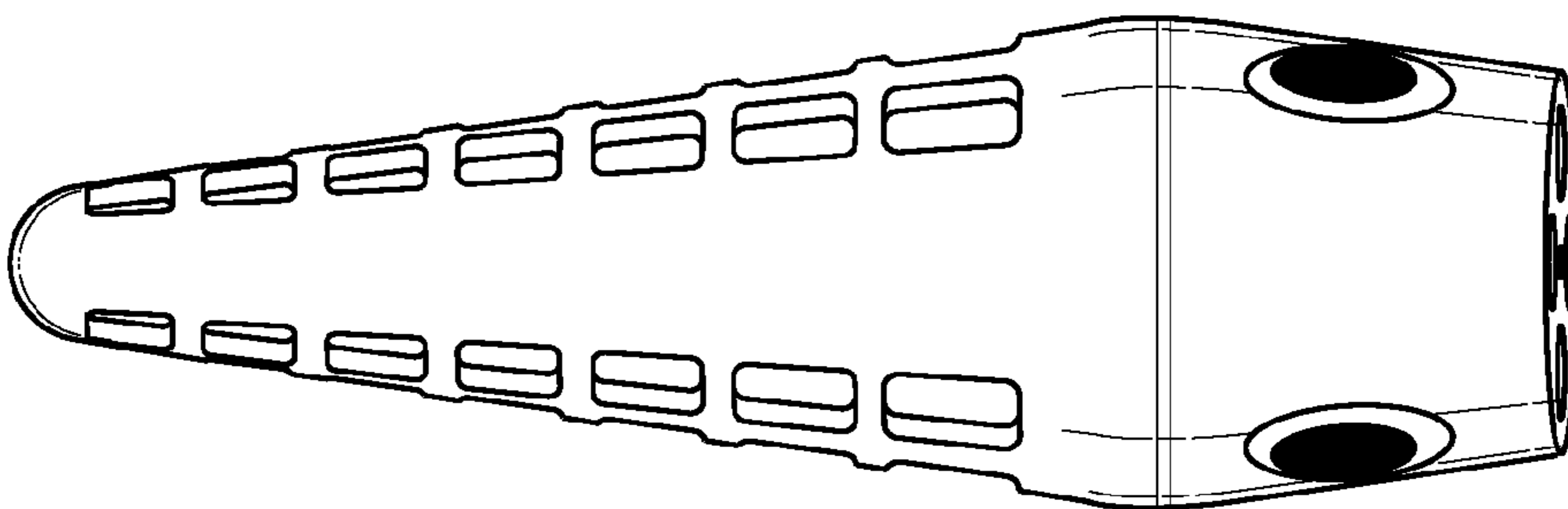


FIG. 5

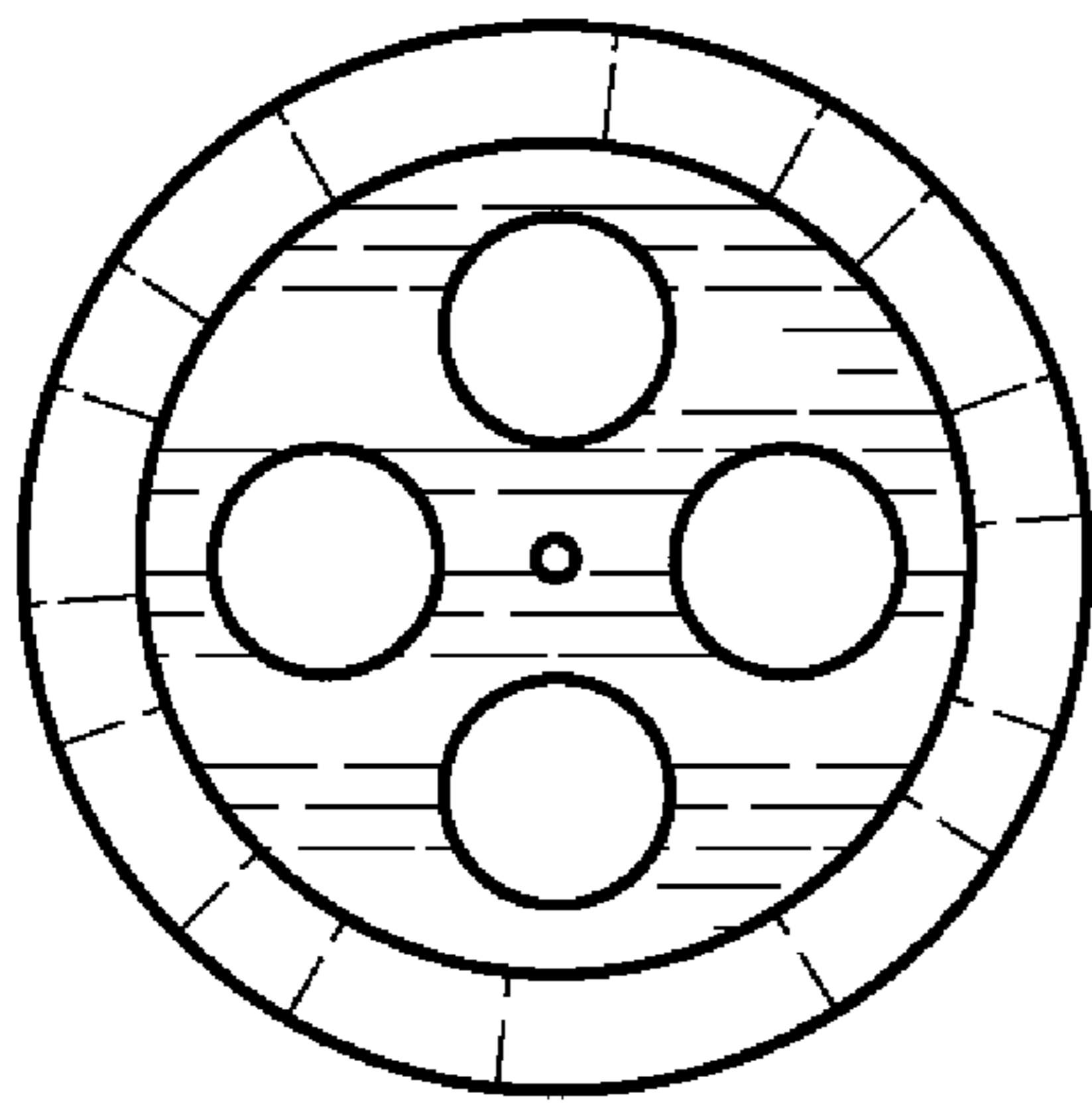


FIG. 6

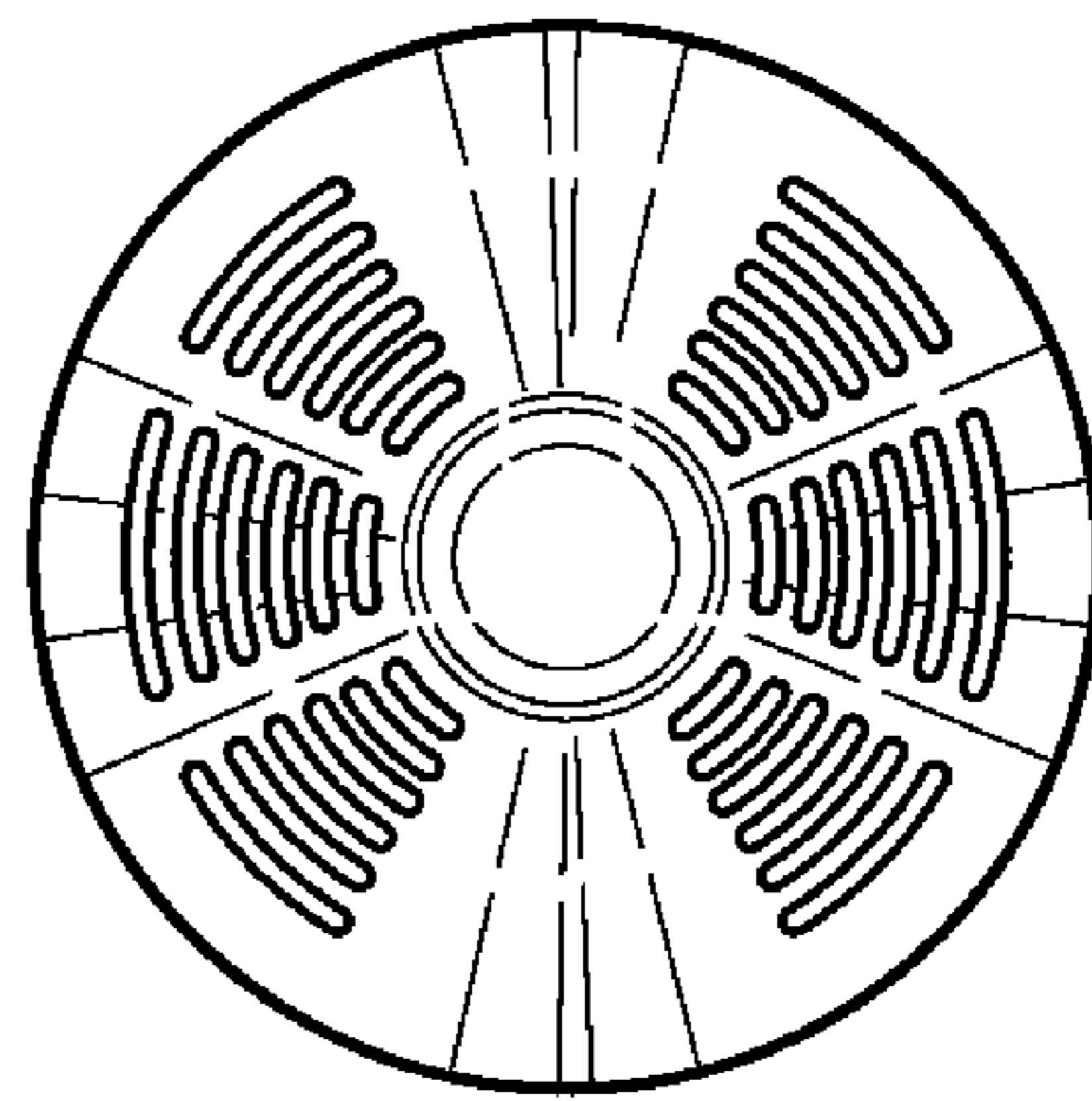


FIG. 7