



US00D633167S

(12) **United States Design Patent**
Somogyi

(10) **Patent No.:** **US D633,167 S**

(45) **Date of Patent:** **** Feb. 22, 2011**

(54) **FISHING LURE**

(76) **Inventor:** **Peter Somogyi**, 8 Carlyle Street, Enfield,
NSW (AU) 2136

(**) **Term:** **14 Years**

(21) **Appl. No.:** **29/360,535**

(22) **Filed:** **Apr. 27, 2010**

(30) **Foreign Application Priority Data**

Oct. 29, 2009 (AU) 14246/2009

(51) **LOC (9) Cl.** **22-05**

(52) **U.S. Cl.** **D22/126**

(58) **Field of Classification Search** D22/126-133;
43/37, 42.03, 42.06, 42.09, 42.4, 42.16, 42.18,
43/42.24, 42.26, 42.38, 42.39, 42.48, 44.81,
43/46

See application file for complete search history.

(56) **References Cited**

U.S. PATENT DOCUMENTS

2,500,451 A	3/1950	Codd	
2,557,577 A	6/1951	Soma	
2,703,945 A	3/1955	Johnson	
D217,602 S *	5/1970	Gurka D22/126
4,033,063 A	7/1977	Mize	
4,453,335 A	6/1984	Smith	
4,630,389 A	12/1986	Higgins	
4,881,340 A	11/1989	Davis	
5,301,453 A	4/1994	Terrill	
5,331,762 A	7/1994	Banks	
5,369,906 A	12/1994	Anterni	

5,444,935 A	8/1995	Pahle	
6,115,956 A *	9/2000	Firmin 43/42.06
D458,335 S *	6/2002	Bambacigno D22/126
D461,218 S *	8/2002	Bambacigno D22/126
6,427,375 B1 *	8/2002	Hair et al. 43/42.06
D466,180 S *	11/2002	Bambacigno D22/126
D478,960 S *	8/2003	Acker D22/126
6,857,220 B2	2/2005	King	
7,036,264 B2	5/2006	Barbary	
7,263,798 B2	9/2007	Nichols	
2004/0031186 A1	2/2004	Soldan et al.	

FOREIGN PATENT DOCUMENTS

AU	199891388 A1	6/1999
WO	2009/149488 A1	12/2009

* cited by examiner

Primary Examiner—Catherine R Oliver

(74) *Attorney, Agent, or Firm*—Howard & Howard Attorneys
PLLC

(57) **CLAIM**

The ornamental design for a fishing lure, as shown and described herein.

DESCRIPTION

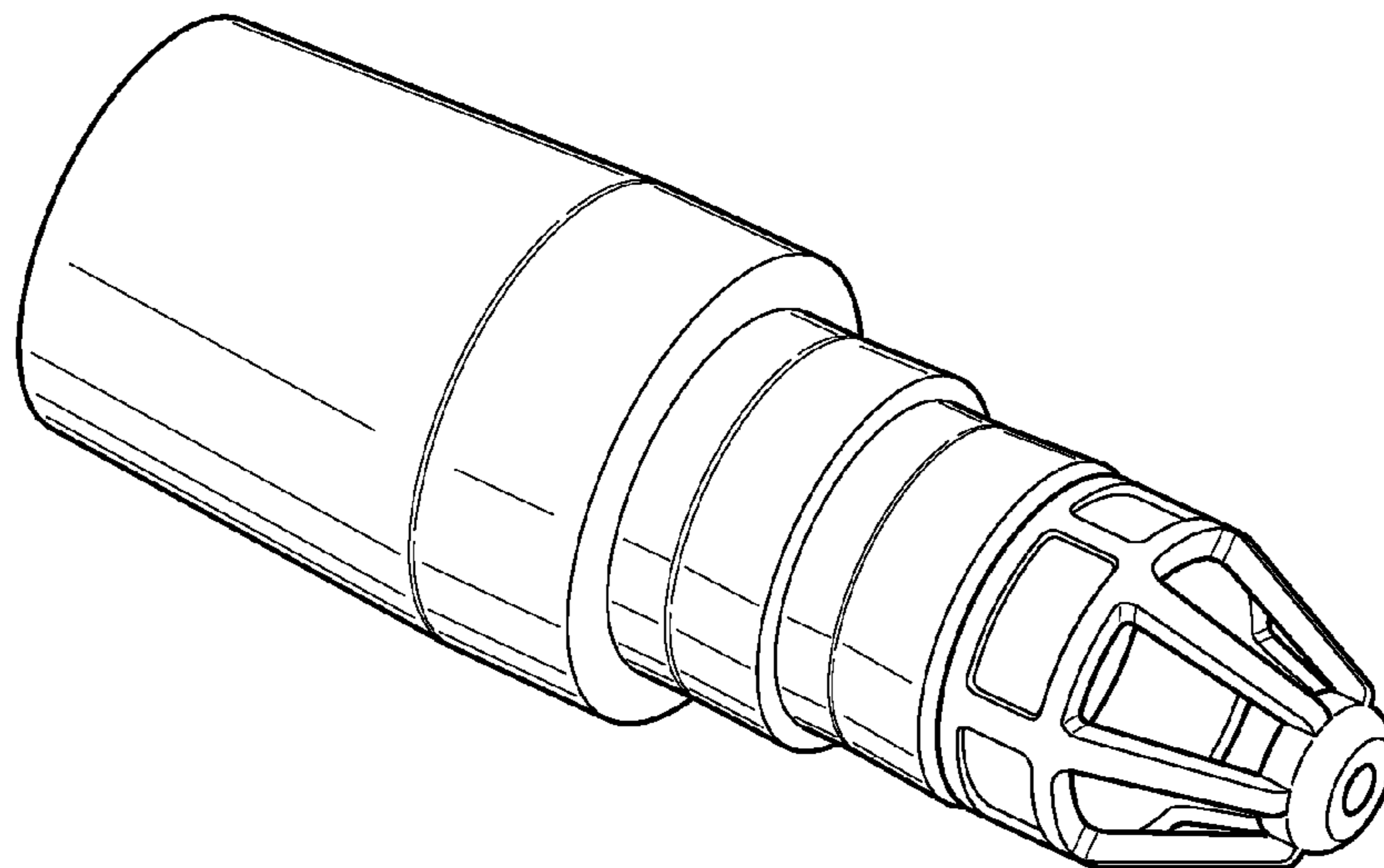
FIG. 1 is a perspective view of the fishing lure;

FIG. 2 is a side elevational view of the fishing lure, opposing sides being identical thereto;

FIG. 3 is a front elevational view of the fishing lure; and,

FIG. 4 is a rear elevational view of the fishing lure.

1 Claim, 1 Drawing Sheet



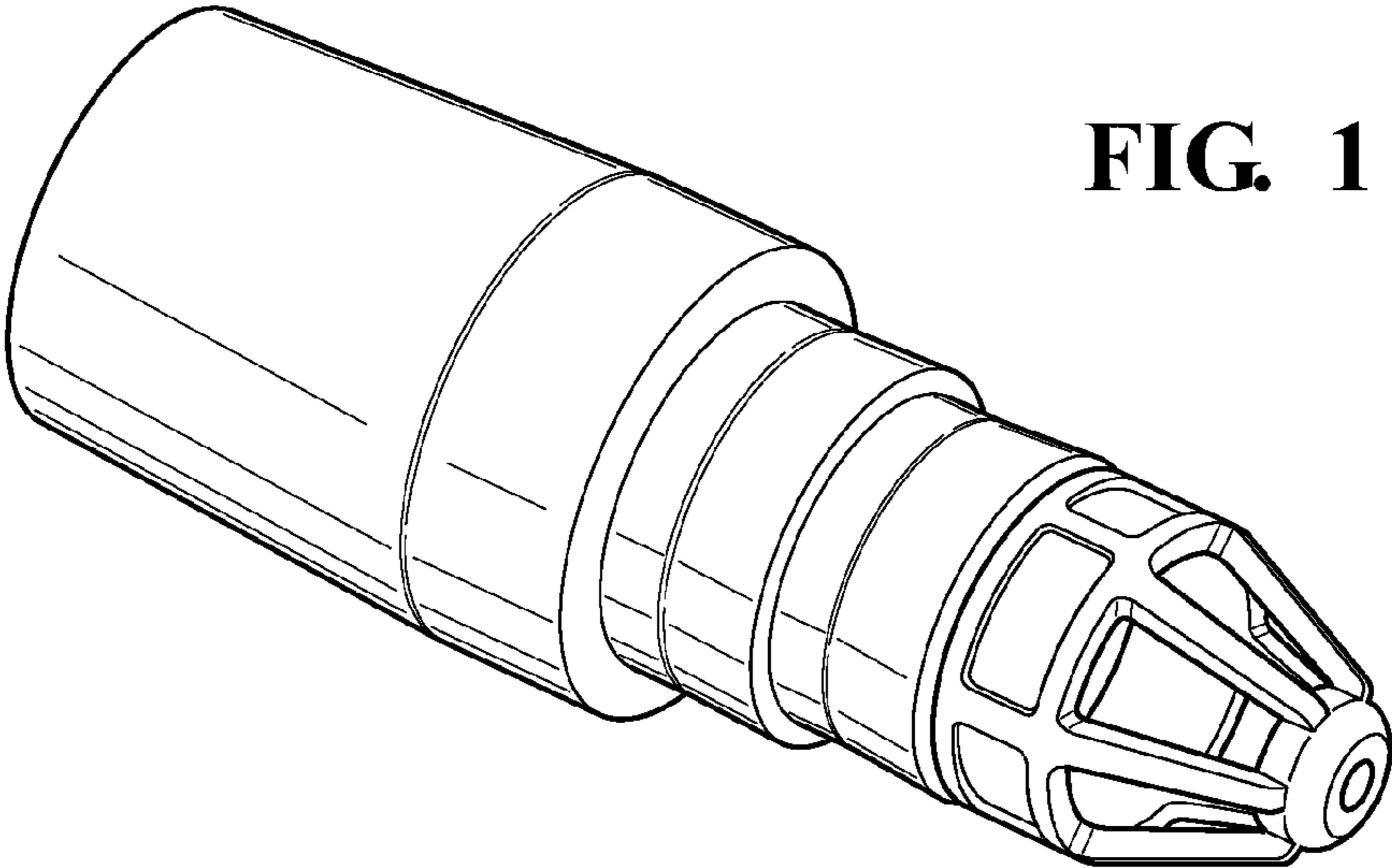


FIG. 1

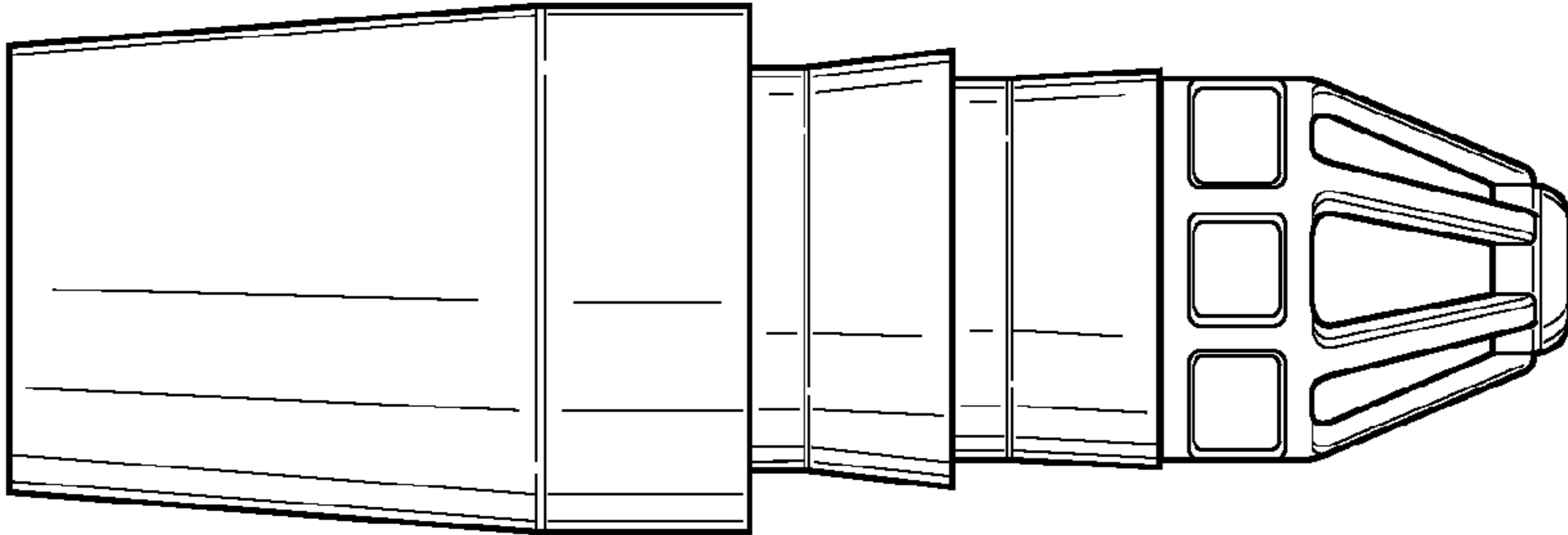


FIG. 2

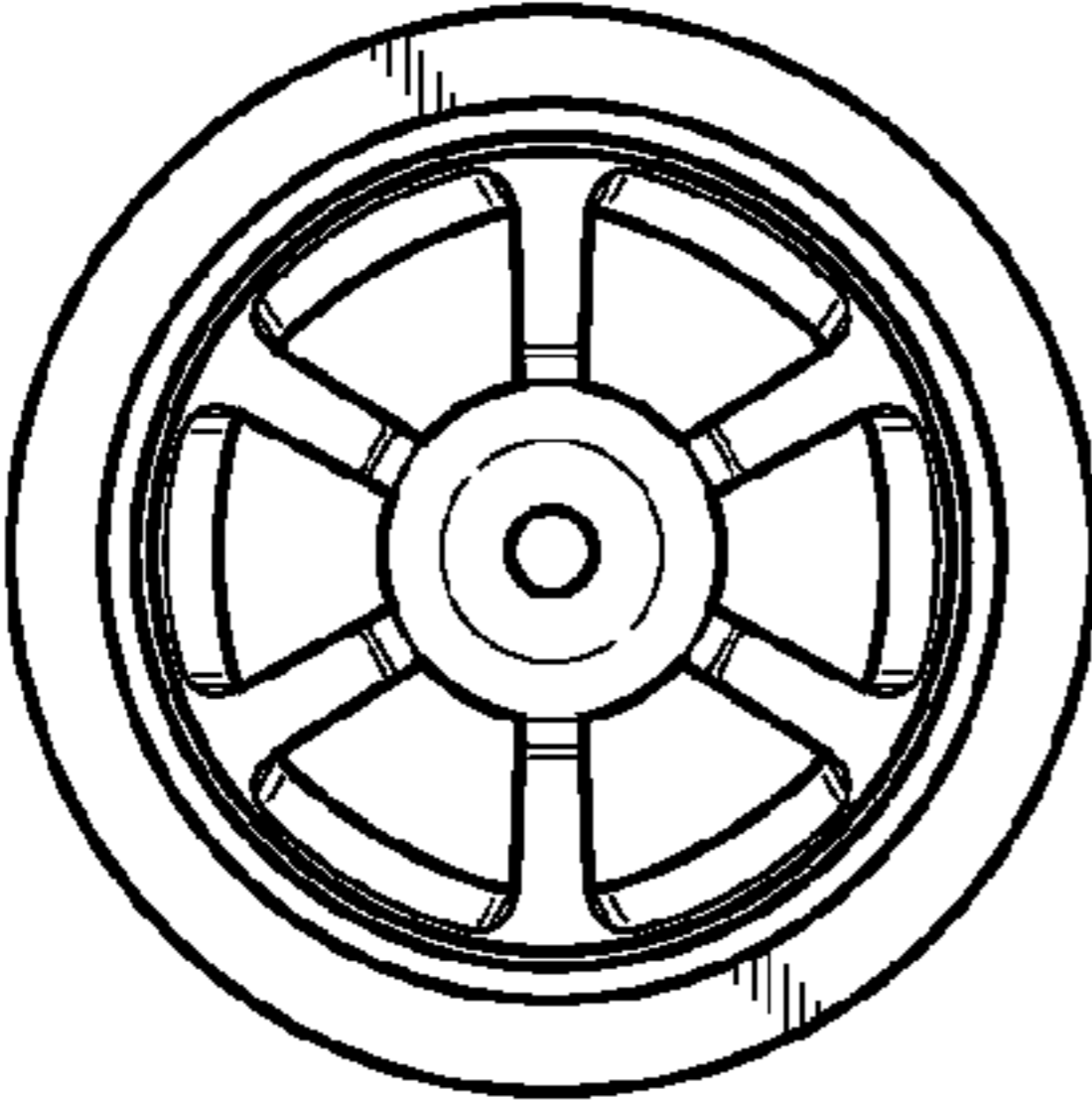


FIG. 3

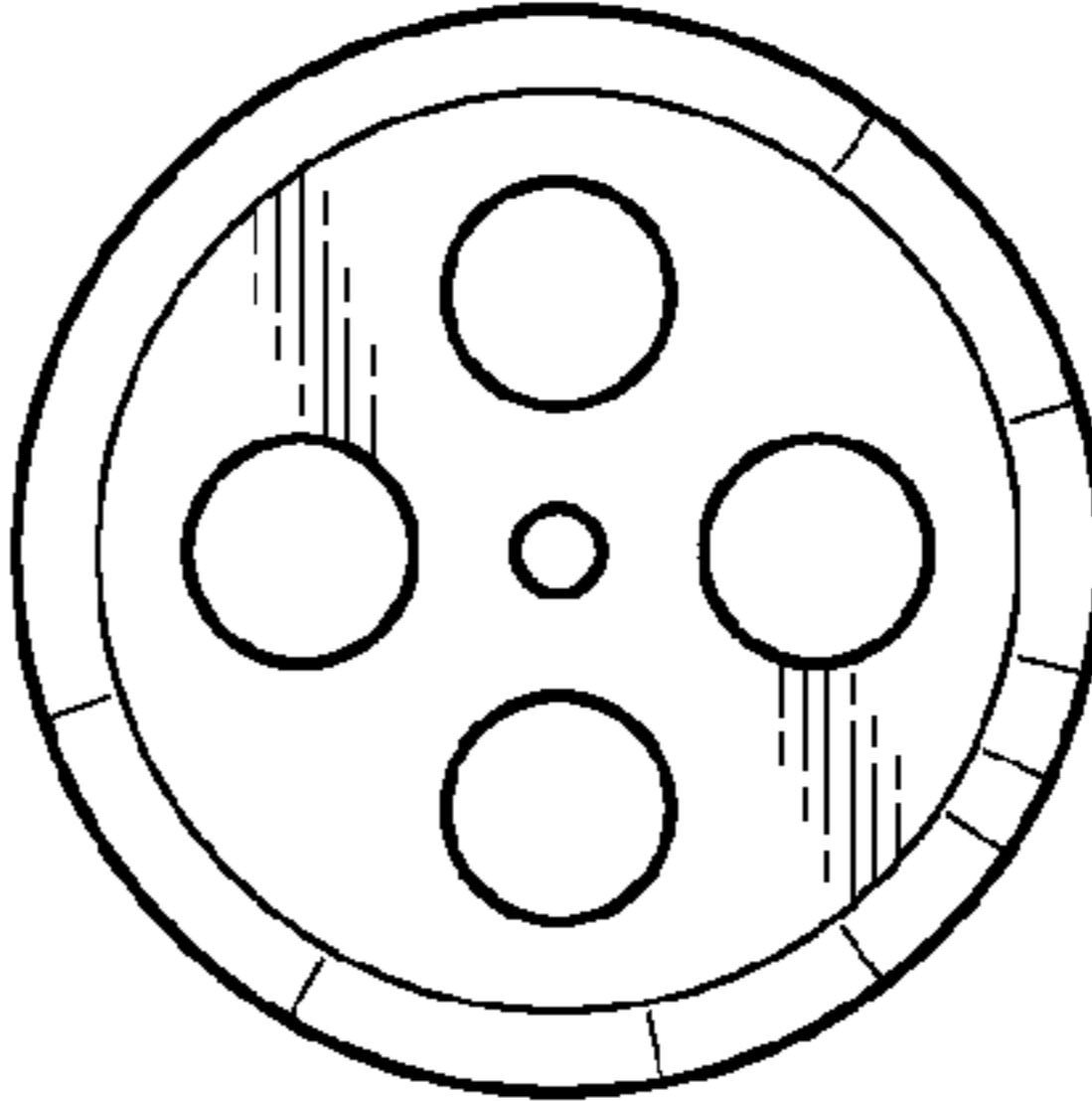


FIG. 4