



US00D633165S

(12) **United States Design Patent**  
**Trbovich, Jr. et al.**

(10) **Patent No.:** **US D633,165 S**  
(45) **Date of Patent:** **\*\* Feb. 22, 2011**

(54) **BAYONET BLADE**

(76) Inventors: **Nicholas D. Trbovich, Jr.**, 28  
Tanglewood Dr., West, Orchard Park, NY  
(US) 14127; **Kathlyn Susan Green**,  
3236 Gulf Hill Rd., Machias, NY (US)  
14101

(\*\*) Term: **14 Years**

(21) Appl. No.: **29/368,179**

(22) Filed: **Aug. 19, 2010**

**Related U.S. Application Data**

(63) Continuation of application No. 29/339,098, filed on  
Jun. 24, 2009, now Pat. No. Des. 625,379.

(51) **LOC (9) Cl.** ..... **22-01**

(52) **U.S. Cl.** ..... **D22/108**

(58) **Field of Classification Search** ..... D22/118;  
D7/401, 649; D8/98, 99, 107; 30/160, 151-154,  
30/355, 294, 340; 7/134-135, 158  
See application file for complete search history.

(56) **References Cited**

**U.S. PATENT DOCUMENTS**

5,568,888 A \* 10/1996 Seber ..... 224/232  
D498,285 S \* 11/2004 Trbovich et al. .... D22/118  
D502,527 S \* 3/2005 Trbovich et al. .... D22/118  
D509,880 S \* 9/2005 Trbovich et al. .... D22/118

D515,171 S \* 2/2006 Castrati ..... D22/118  
D515,654 S \* 2/2006 Trbovich, Jr. .... D22/118  
2006/0265884 A1 \* 11/2006 Trbovich, Jr. .... 30/296.1  
2010/0011593 A1 \* 1/2010 Trbovich et al. .... 30/340

\* cited by examiner

*Primary Examiner*—T. Chase Nelson  
*Assistant Examiner*—Michael A Pratt  
(74) *Attorney, Agent, or Firm*—Woods Oviatt Gilman LLP

(57) **CLAIM**

The ornamental design for a bayonet blade, as shown and described.

**DESCRIPTION**

FIG. 1 is a side elevational view of a bayonet blade according to the invention;

FIG. 2 is a top plan view thereof;

FIG. 3 is a bottom plan view thereof;

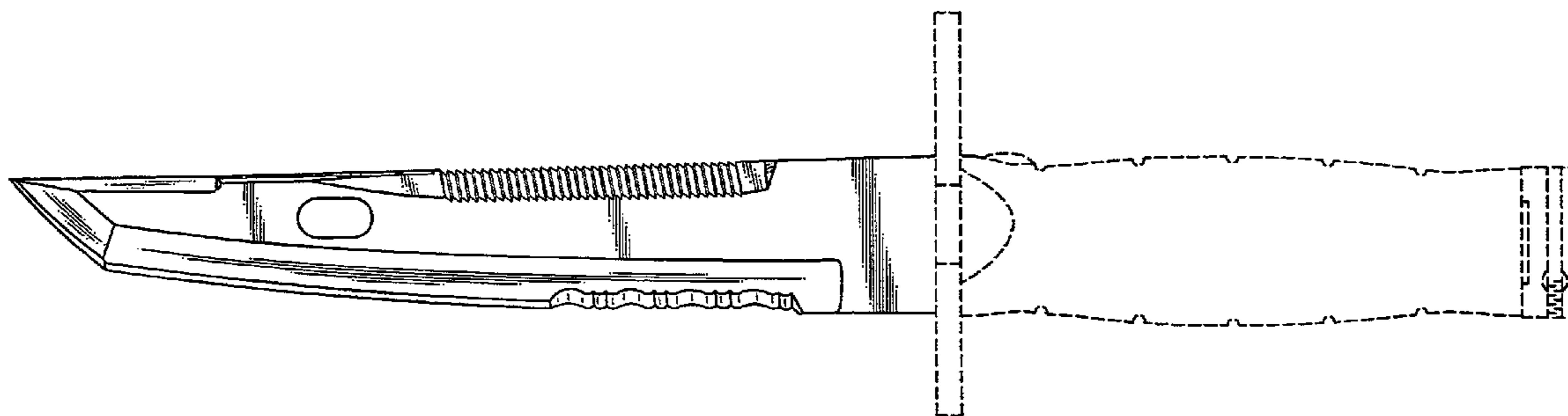
FIG. 4 is a side elevational view thereof opposite of side of FIG. 1;

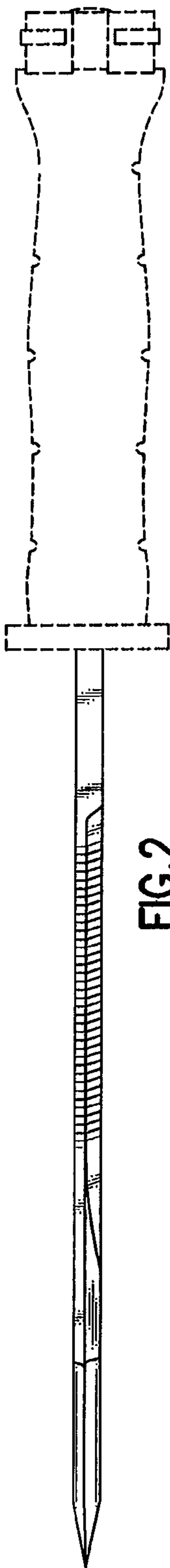
FIG. 5 is an end view thereof as viewed from the left end looking toward the right of FIGS. 1-4; and,

FIG. 6 is an end view thereof as viewed from the right end looking toward the left of FIGS. 1-4.

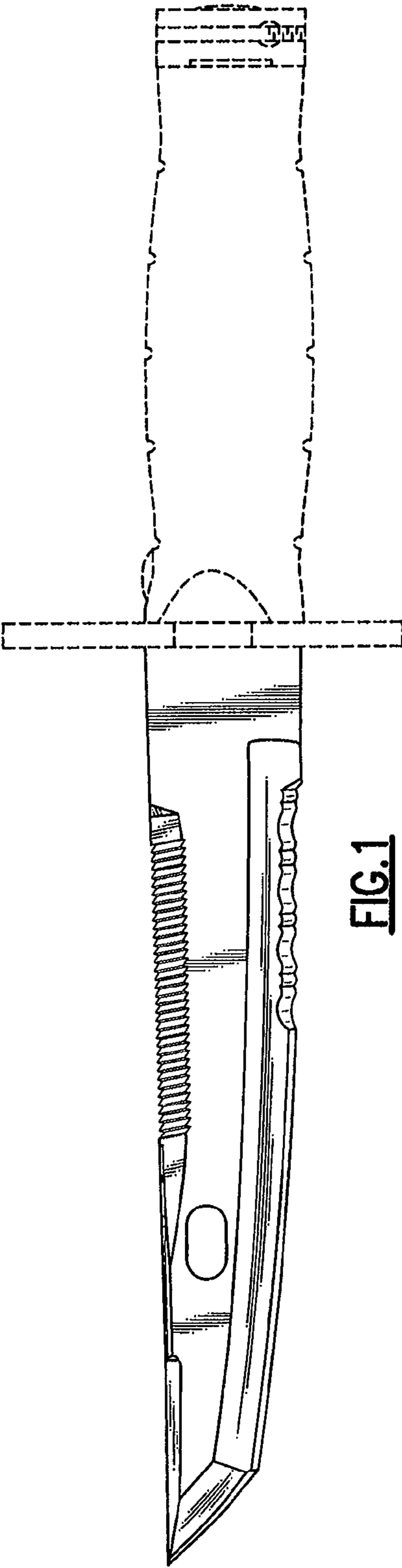
The broken lines in the drawing views depict environmental structure that forms no part of the claimed design.

**1 Claim, 2 Drawing Sheets**

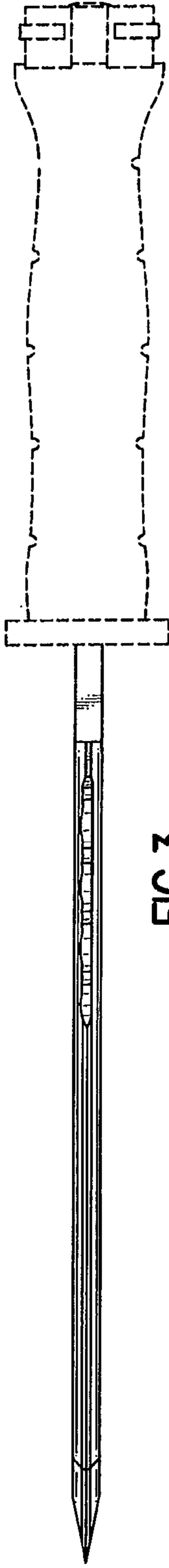




**FIG. 2**



**FIG. 1**



**FIG. 3**

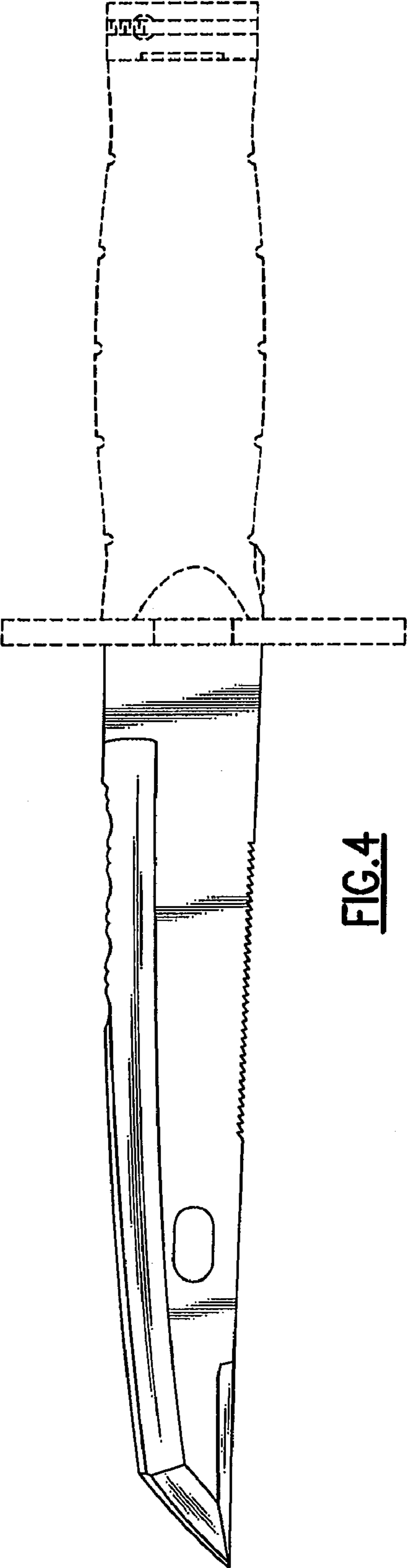


FIG.4

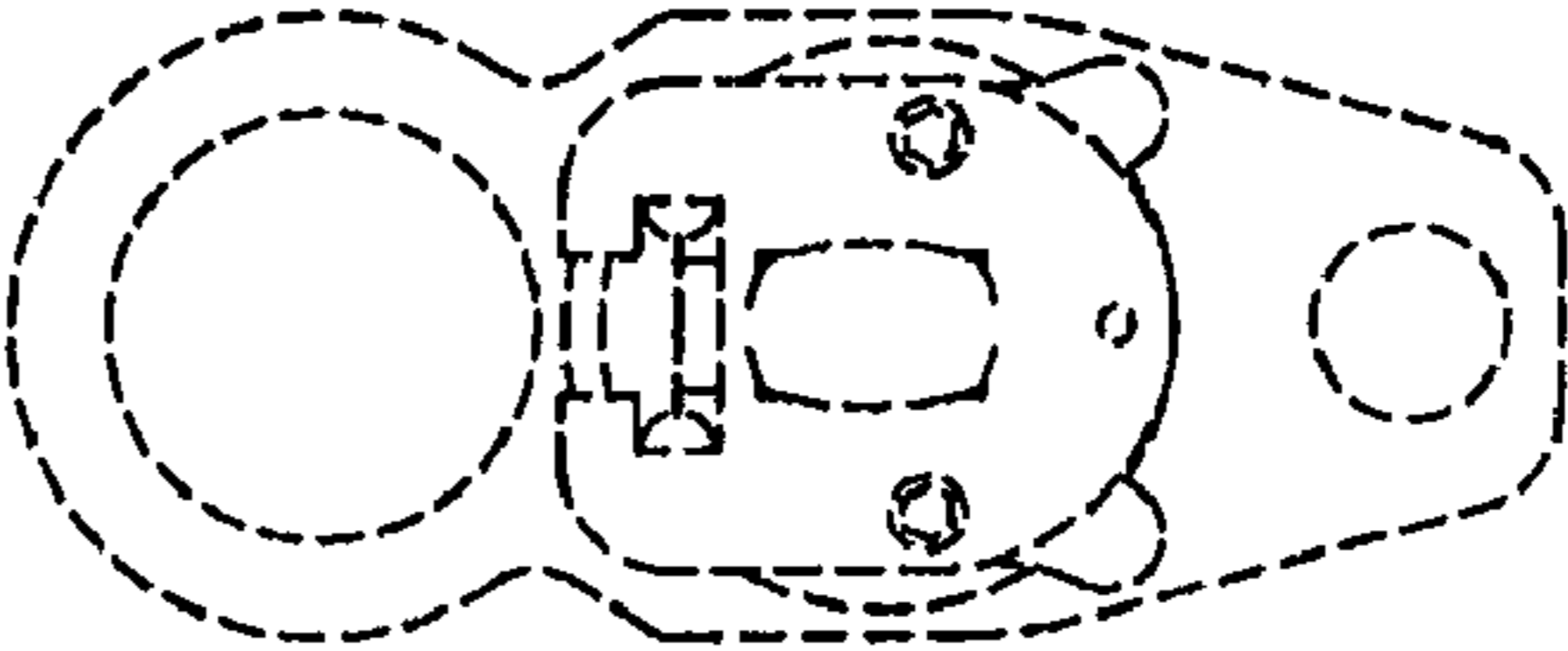


FIG.6

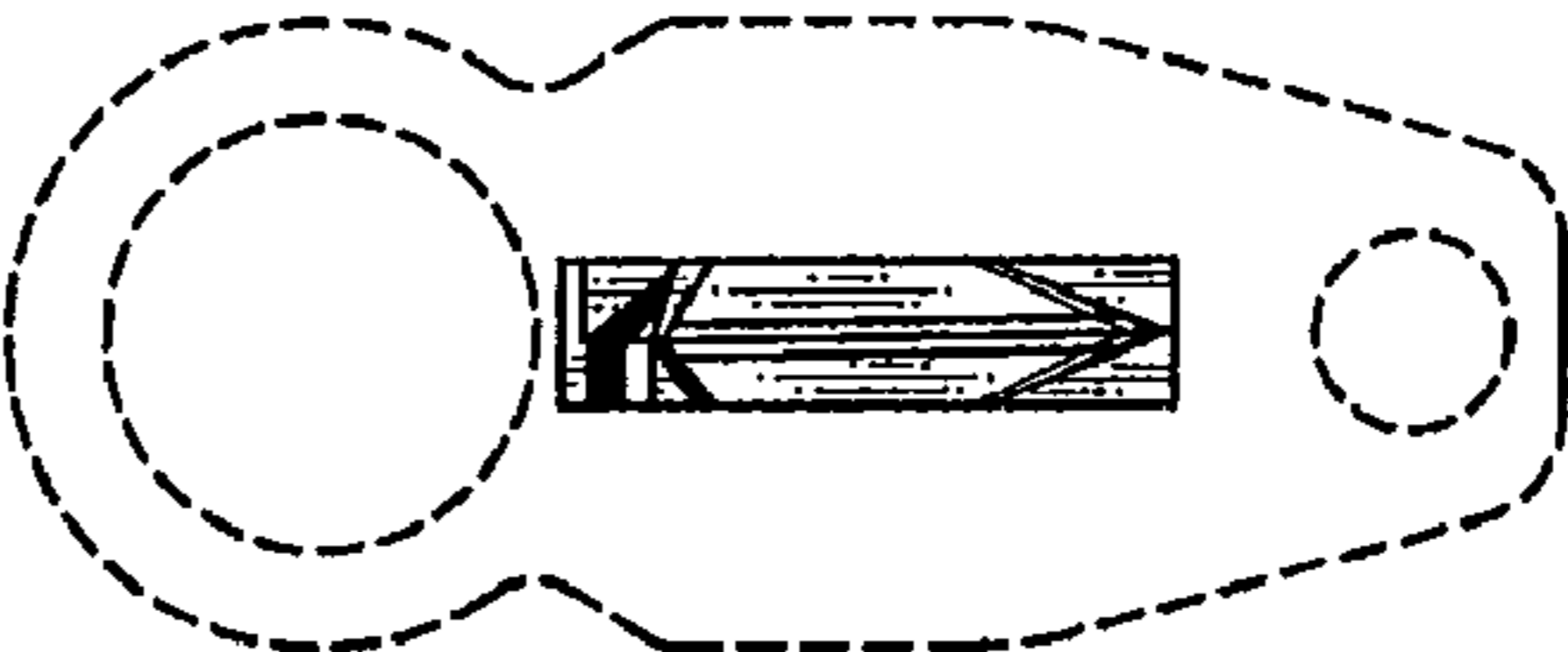


FIG.5