

US00D633164S

(12) **United States Design Patent**  
**Fitzpatrick et al.**

(10) **Patent No.:** **US D633,164 S**

(45) **Date of Patent:** **\*\* Feb. 22, 2011**

(54) **FIREARM MAGAZINE**

(75) Inventors: **Richard Fitzpatrick**, Longmont, CO (US); **Michael T. Mayberry**, Denver, CO (US); **Eric Christopher Burt**, Broomfield, CO (US)

(73) Assignee: **Magpul Industries Corporation**, Boulder, CO (US)

(\*\*) Term: **14 Years**

(21) Appl. No.: **29/354,001**

(22) Filed: **Jan. 18, 2010**

(51) **LOC (9) Cl.** ..... **22-01**

(52) **U.S. Cl.** ..... **D22/108**

(58) **Field of Classification Search** ..... D22/100-116;  
D21/572, 573; 124/66, 67, 74; 42/51, 71.01,  
42/75.01, 75.02, 90, 94; 362/110; 33/241;  
89/40.06, 37.04, 33.04, 191.01

See application file for complete search history.

(56) **References Cited**

**U.S. PATENT DOCUMENTS**

D593,635	S *	6/2009	Fitzpatrick et al.	.....	D22/108
D600,303	S *	9/2009	Fitzpatrick et al.	.....	D22/108
D614,719	S *	4/2010	Fitzpatrick et al.	.....	D22/108
D614,720	S *	4/2010	Fitzpatrick et al.	.....	D22/108
D614,721	S *	4/2010	Fitzpatrick et al.	.....	D22/108
D620,545	S *	7/2010	Fitzpatrick et al.	.....	D22/108
7,798,045	B1 *	9/2010	Fitzpatrick et al.	.....	89/1.4
2010/0251590	A1 *	10/2010	Fitzpatrick et al.	.....	42/50

**OTHER PUBLICATIONS**

Brownells (Apr. 20, 2010) AR-15/M16 Tactical Magazine; Website [Online] Available Web Site: [http://www.brownells.com/.aspx/pid=24307/Product/AR\\_15\\_M16\\_TACTICAL\\_MAGAZINE](http://www.brownells.com/.aspx/pid=24307/Product/AR_15_M16_TACTICAL_MAGAZINE); Last Update: Unknown; Accessed on: Apr. 20, 2010.

Cheaperhandirt.com (Apr. 20, 2010) Mag AR-15.223 OrLite 30 Round Israeli Shows Field Use; Website [Online] Available Web Site: <http://www.cheaperhandirt.com/MAG105-1.html>; Last Update: Unknown; Accessed on: Apr. 20, 2010.

EMA Tactical (Apr. 20, 2010) CDMAG Countdown Magazine; Website [Online] Available Web Site: <http://www.ematactical.com/viewProduct.asp?ID=278&catID=8>; Last Update: Unknown, Accessed on: Apr. 20, 2010.

(Continued)

*Primary Examiner*—T. Chase Nelson

*Assistant Examiner*—Michael A Pratt

(74) *Attorney, Agent, or Firm*—Swanson & Bratschun, L.L.C.

(57) **CLAIM**

The ornamental design for a firearm magazine, as shown and described.

**DESCRIPTION**

FIG. 1 is a bottom, right, rear perspective view of a firearm magazine showing our new design;

FIG. 2 is a left side elevation view of the firearm magazine of FIG. 1;

FIG. 3 is a right side elevation view of the firearm magazine of FIG. 1;

FIG. 4 is a top plan view of the firearm magazine of FIG. 1;

FIG. 5 is a bottom plan view of the firearm magazine of FIG. 1;

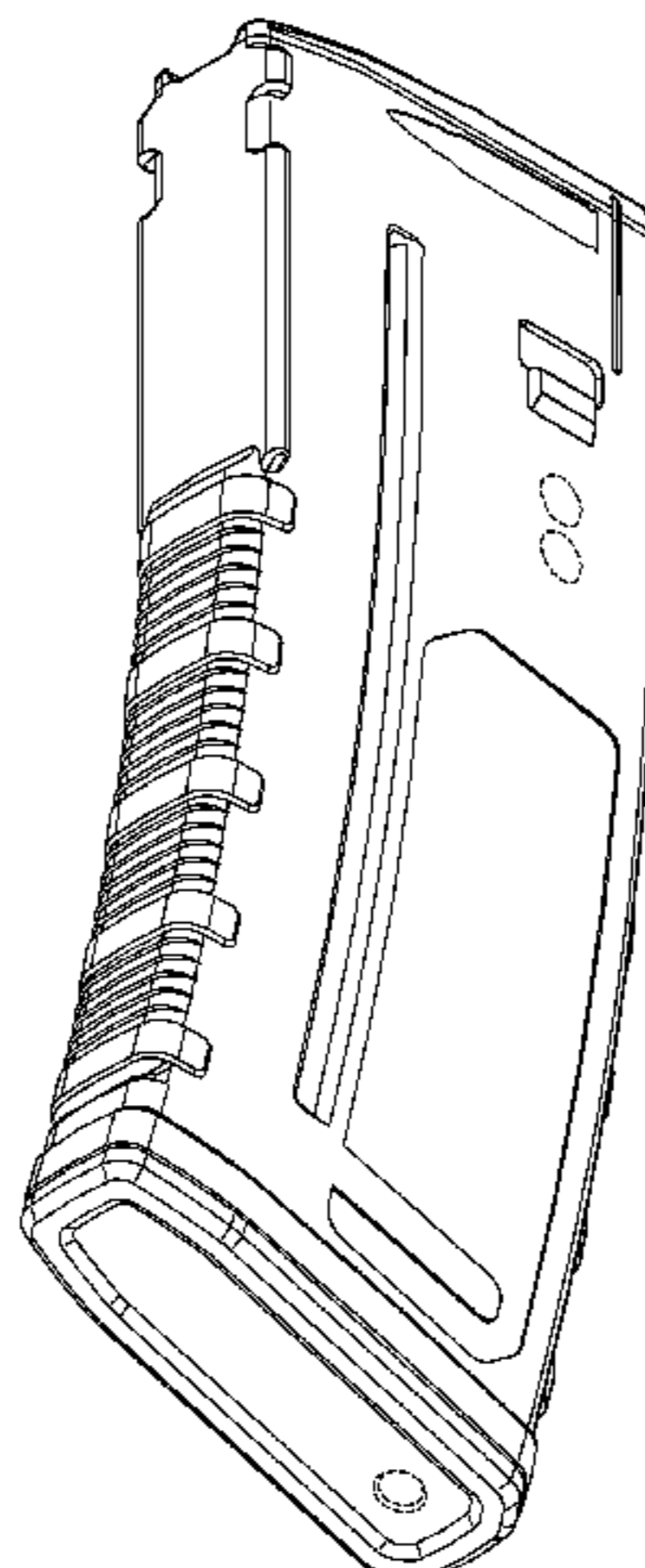
FIG. 6 is a rear elevation view of the firearm magazine of FIG. 1;

FIG. 7 is a front elevation view of the firearm magazine of FIG. 1; and,

FIG. 8 is a bottom, left, front elevation view of the firearm magazine of FIG. 1.

The broken lines showing portions of the design in all figures is included for the purpose of illustrating environment and forms not part of the claimed design.

**1 Claim, 6 Drawing Sheets**



OTHER PUBLICATIONS

Foltz (Feb. 21, 2007) 5.56mm 30 Round Magazine Improvement Programs; PDF [Online] Available Web Site: <http://www.dtic.mil/ndia/2006smallarms/foltz.pdf> Last Update: Feb. 21, 2007; Accessed on: Apr. 20, 2010.

Gunbroker.com (Apr. 20, 2010) Eagle International .223 Polymer Magazine; Website [Online] Available Web Site: <http://www.gunbroker.com/Auction/ViewItem.aspx?Item=164602069#PIC>; Last Update: Unknown; Accessed on: Apr. 20, 2010.

HKParts.net (Apr. 20, 2010) 30 Round HK 416 KCI Steel .556 Magazine; Website [Online] Available Web Site: <http://www.hkparts.net/shop/pc/30-Round-HK-416-KCI-Steel-556-Magazine-64p982.htm>; Last Update: Unknown; Accessed on: Apr. 20, 2010.

HKParts.net (Apr. 20, 2010) HK G36 30 Round Magazine; Website [Online] Available Web Site: <http://www.hkparts.net/shop/pc/HK-G36-30-Round-Mag-Fits-G36-G36K-G36C-Converted-SL8-s-182p624.htm>; Last Update: Unknown; Accessed on: Apr. 20, 2010.

Lancer Systems (Apr. 20, 2010) L5 Translucent Magazine; Website [Online] Available Web Site: [http://www.lancer-systems.com/L5\\_2010\\_30.html](http://www.lancer-systems.com/L5_2010_30.html); Last Update: Unknown; Accessed on: Apr. 20, 2010.

TangoDown (Apr. 20, 2010) ARC-L Magazine; Website [Online] Available Web Site: [http://tangodown.com/shop/product\\_info.php?products\\_id=126](http://tangodown.com/shop/product_info.php?products_id=126); Last Update: Unknown; Accessed on: Apr. 20, 2010.

Thermoldmagazines.com (Apr. 20, 2010) Magazines; Website [Online] Available Web Site: <http://www.thermoldmagazines.com/magazines.html>; Last Update: Unknown; Accessed on: Apr. 20, 2010.

Troyind.com (Apr. 20, 2010) Troy BattleMag; Website [Online] Available Web Site: [http://store.troyind.com/Troy\\_BattleMag\\_p/smag-sin-00bt-00.htm](http://store.troyind.com/Troy_BattleMag_p/smag-sin-00bt-00.htm); Last Update: Unknown; Accessed on: Apr. 20, 2010.

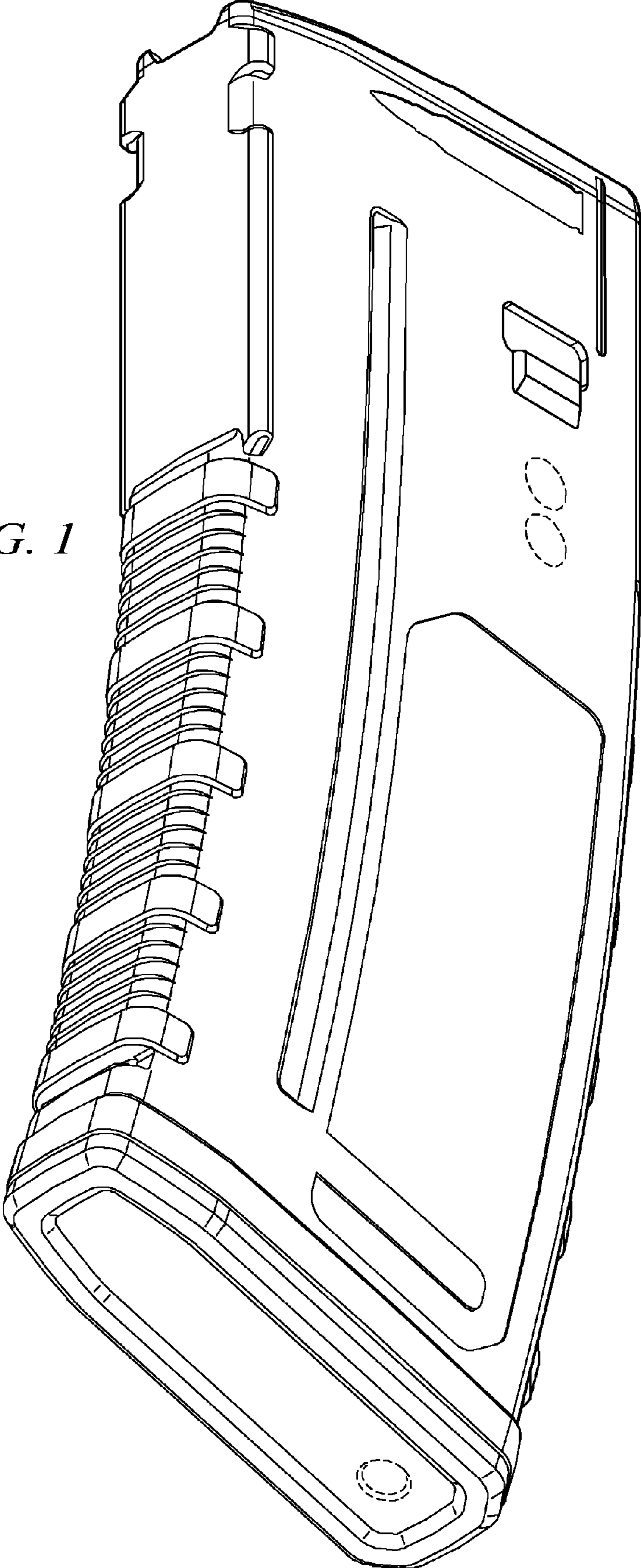
U.S. Appl. No. 29/354,007, filed Jan. 18, 2010, "Small Capacity Firearm Magazine" by Fitzpatrick, et al.

U.S. Appl. No. 29/354,008, filed Jan. 18, 2010, "Medium Capacity Firearm Magazine" by Fitzpatrick, et al.

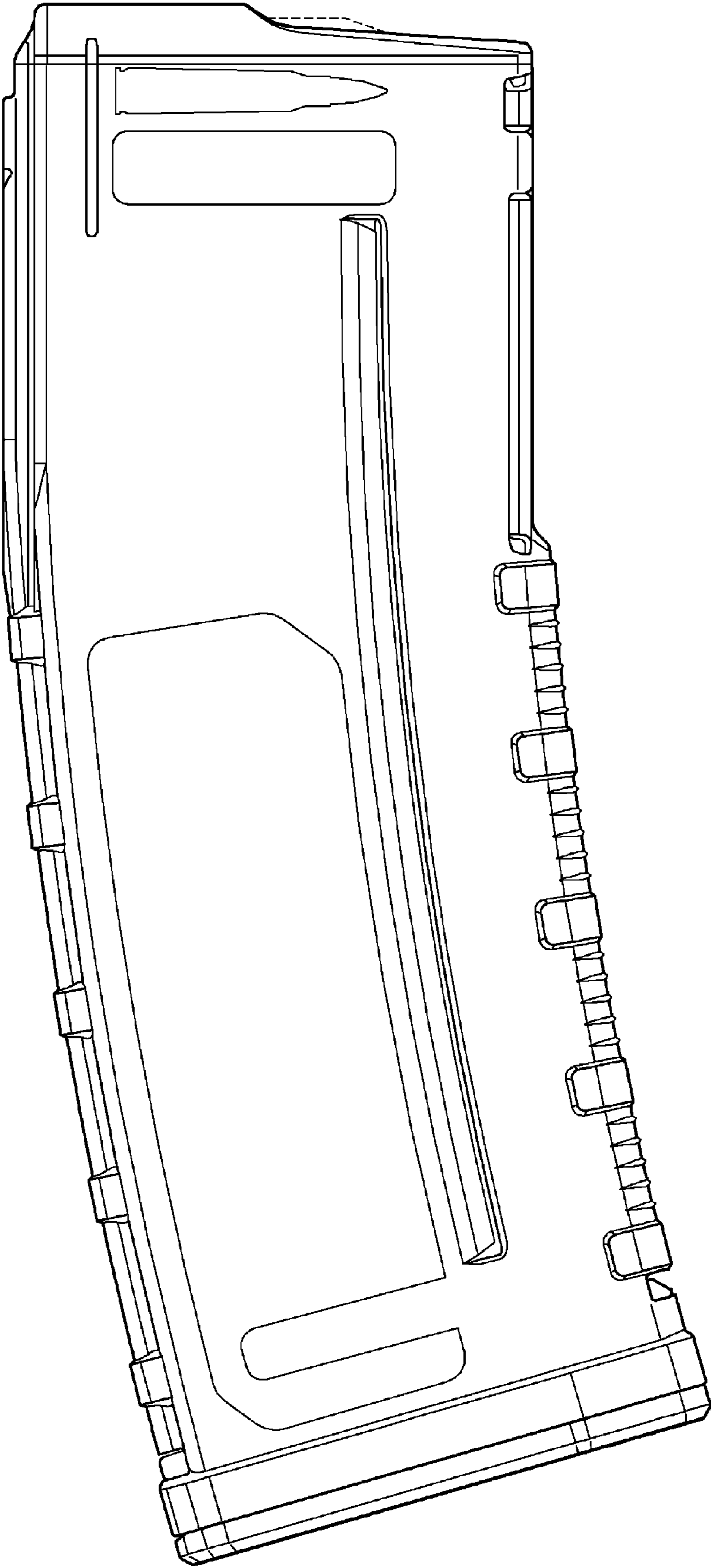
U.S. Appl. No. 29/354,005, filed Jan. 18, 2010, "Large Capacity Firearm Magazine" by Fitzpatrick, et al.

\* cited by examiner

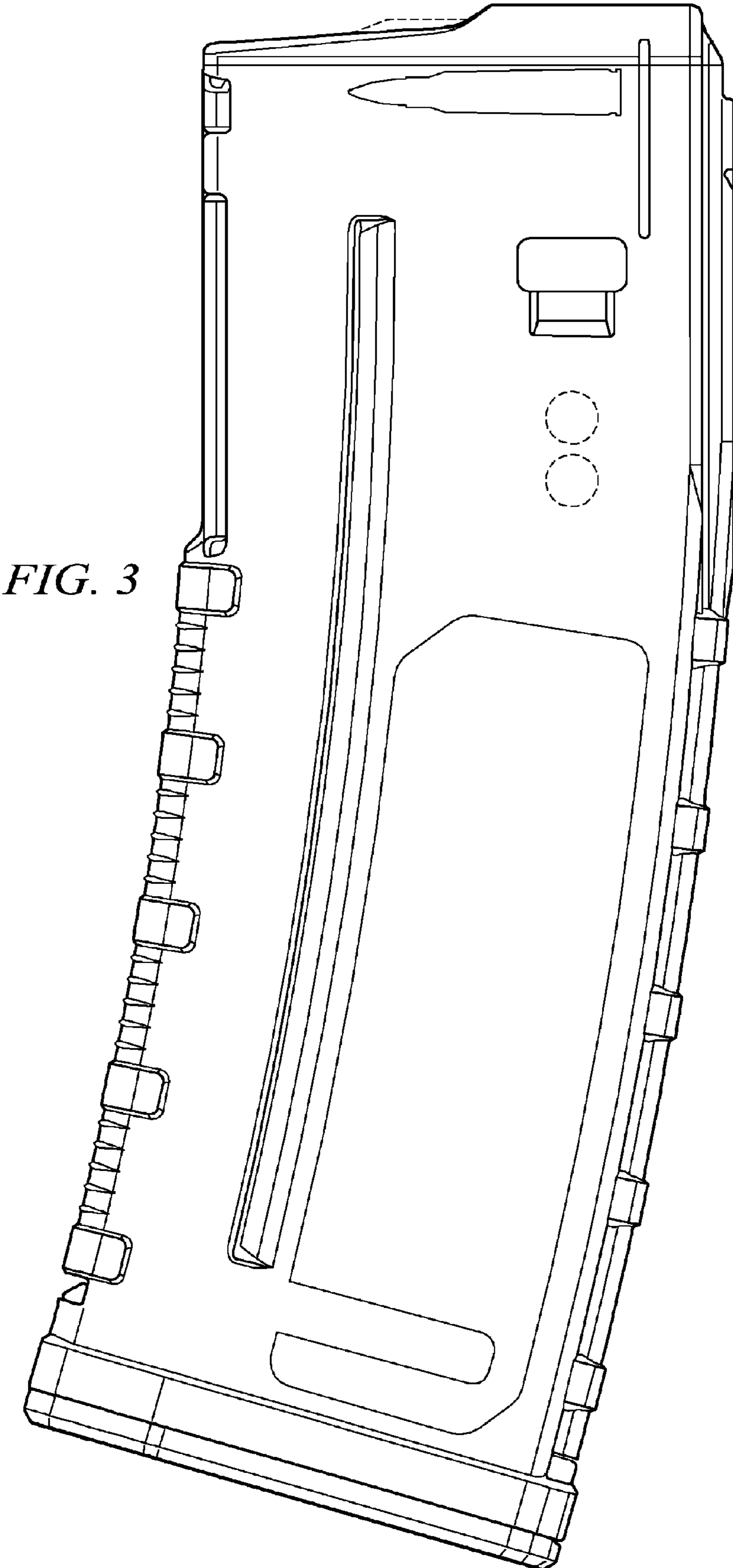
*FIG. 1*



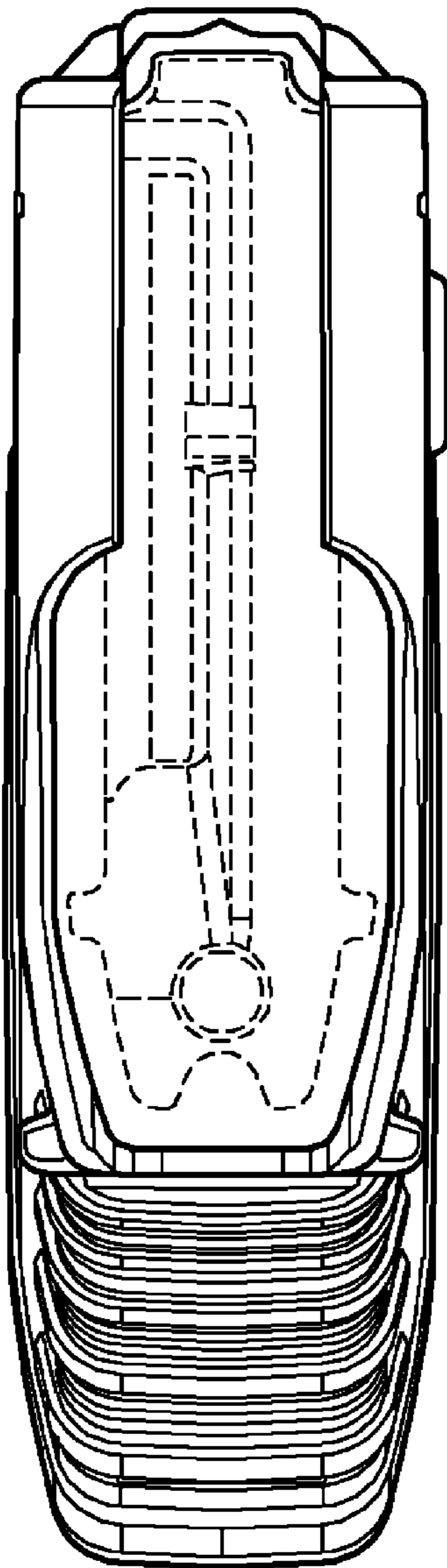
*FIG. 2*



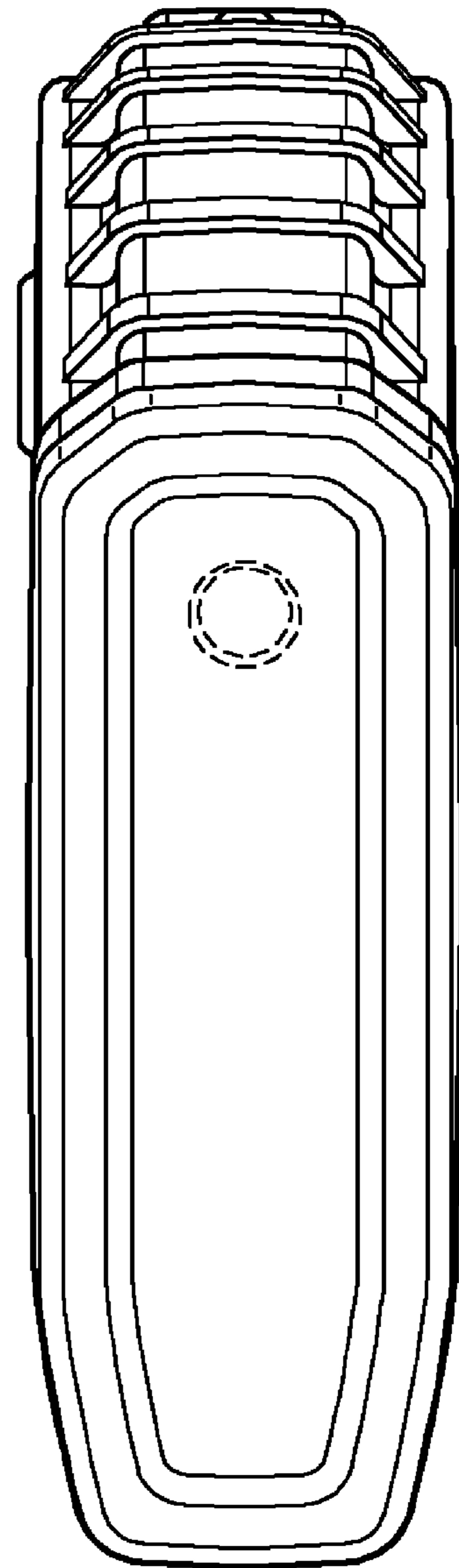




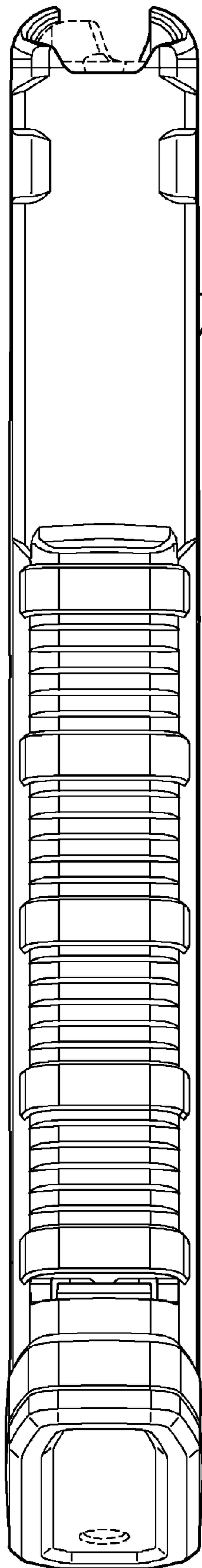
*FIG. 3*



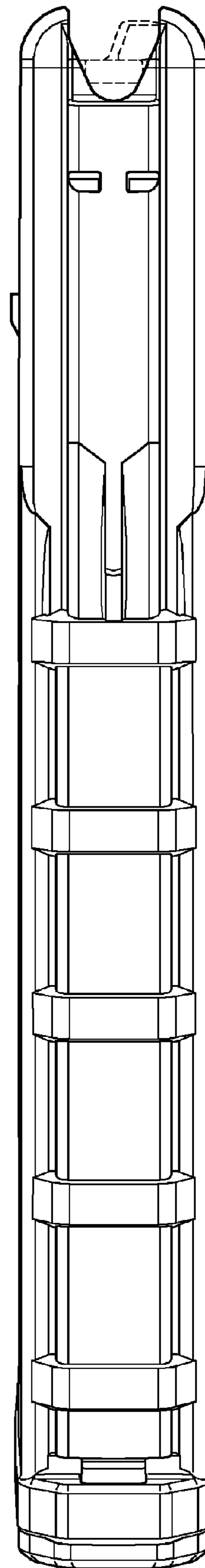
*FIG. 4*



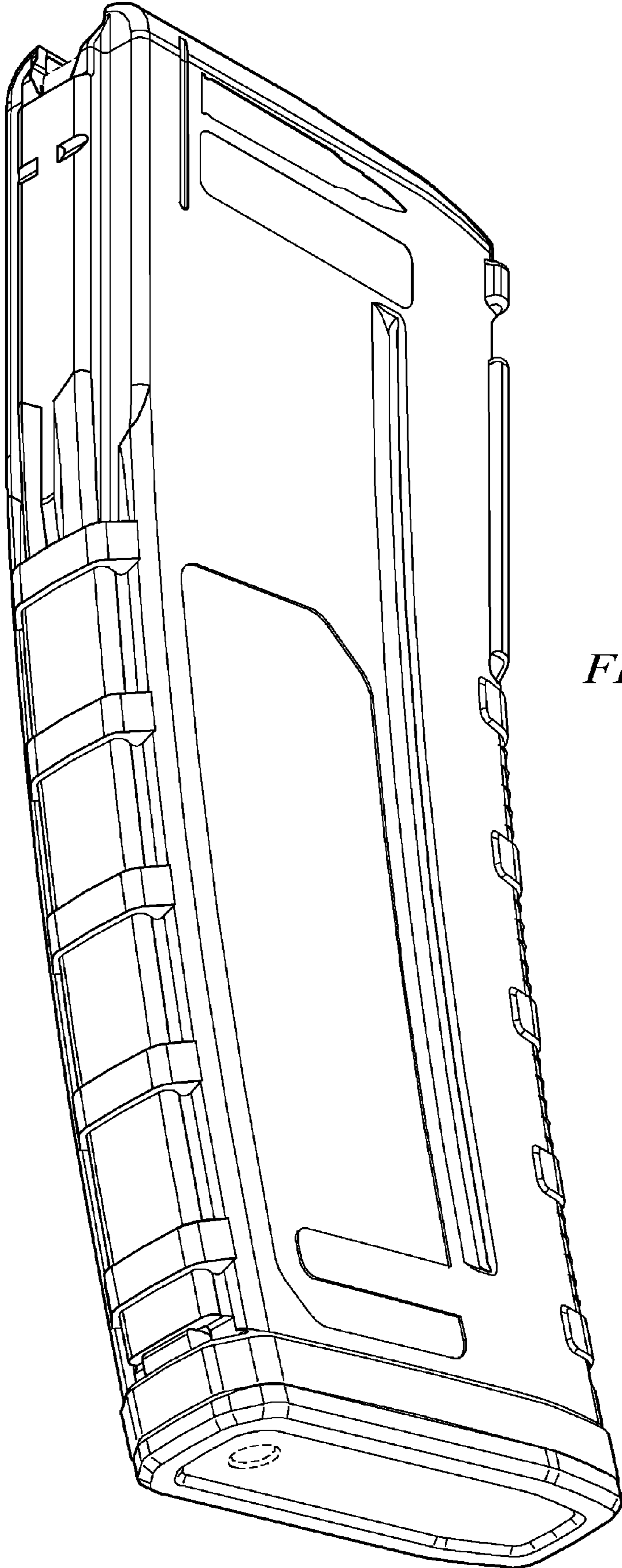
*FIG. 5*



*FIG. 6*



*FIG. 7*



*FIG. 8*