

US00D633163S

(12) **United States Design Patent**
Fitzpatrick et al.

(10) **Patent No.:** **US D633,163 S**

(45) **Date of Patent:** **** Feb. 22, 2011**

(54) **VERTICAL GRIP FOR A FIREARM**

(75) Inventors: **Richard Fitzpatrick**, Longmont, CO (US); **Michael T. Mayberry**, Denver, CO (US); **Eric Christopher Burt**, Broomfield, CO (US)

(73) Assignee: **Magpul Industries Corporation**, Boulder, CO (US)

(**) Term: **14 Years**

(21) Appl. No.: **29/353,997**

(22) Filed: **Jan. 18, 2010**

(51) **LOC (9) Cl.** **22-01**

(52) **U.S. Cl.** **D22/108**

(58) **Field of Classification Search** D22/100, D22/101, 103, 104, 108, 199; D21/572, D21/573; 42/51.09, 71.01, 71.02, 73, 75.01, 42/75.02; 89/40.06, 37.04, 33.04; 124/66, 124/67, 74; D8/70, 107

See application file for complete search history.

(56) **References Cited**

U.S. PATENT DOCUMENTS

6,658,781	B1 *	12/2003	Bowen	42/71.02
7,121,034	B2 *	10/2006	Keng	42/71.01
7,356,958	B2 *	4/2008	Weir	42/69.01
2008/0052979	A1 *	3/2008	Lee et al.	42/94
2009/0038200	A1 *	2/2009	Keng	42/94

* cited by examiner

Primary Examiner—T. Chase Nelson

Assistant Examiner—Michael A Pratt

(74) *Attorney, Agent, or Firm*—Swanson & Bratschun, L.L.C.

(57) **CLAIM**

The ornamental design for a vertical grip for a firearm, as shown and described.

DESCRIPTION

FIG. 1 is top, left, front perspective view of a vertical grip for a firearm showing our new design;

FIG. 2 is a front elevation view of the vertical grip of FIG. 1;

FIG. 3 is a rear elevation view of the vertical grip of FIG. 1;

FIG. 4 is a right side elevation view of the vertical grip of FIG. 1;

FIG. 5 is a left side elevation view of the vertical grip of FIG. 1;

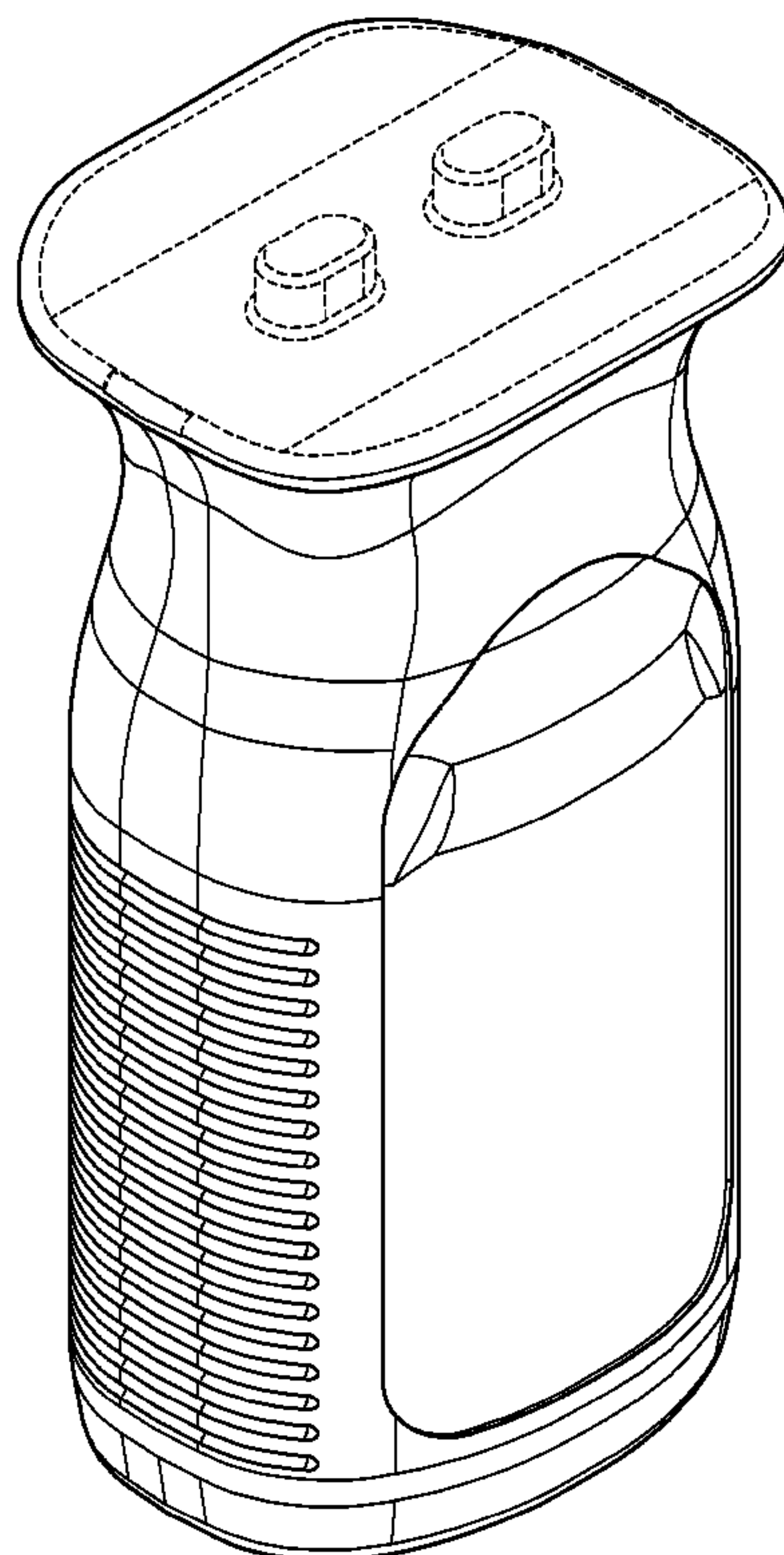
FIG. 6 is a top plan view of the vertical grip of FIG. 1;

FIG. 7 is a bottom plan view of the vertical grip of FIG. 1; and,

FIG. 8 is a bottom, left front perspective view of the vertical grip of FIG. 1.

The broken lines showing portions of the design in all figures is included for the purpose of illustrating environment and forms not part of the claimed design.

1 Claim, 7 Drawing Sheets



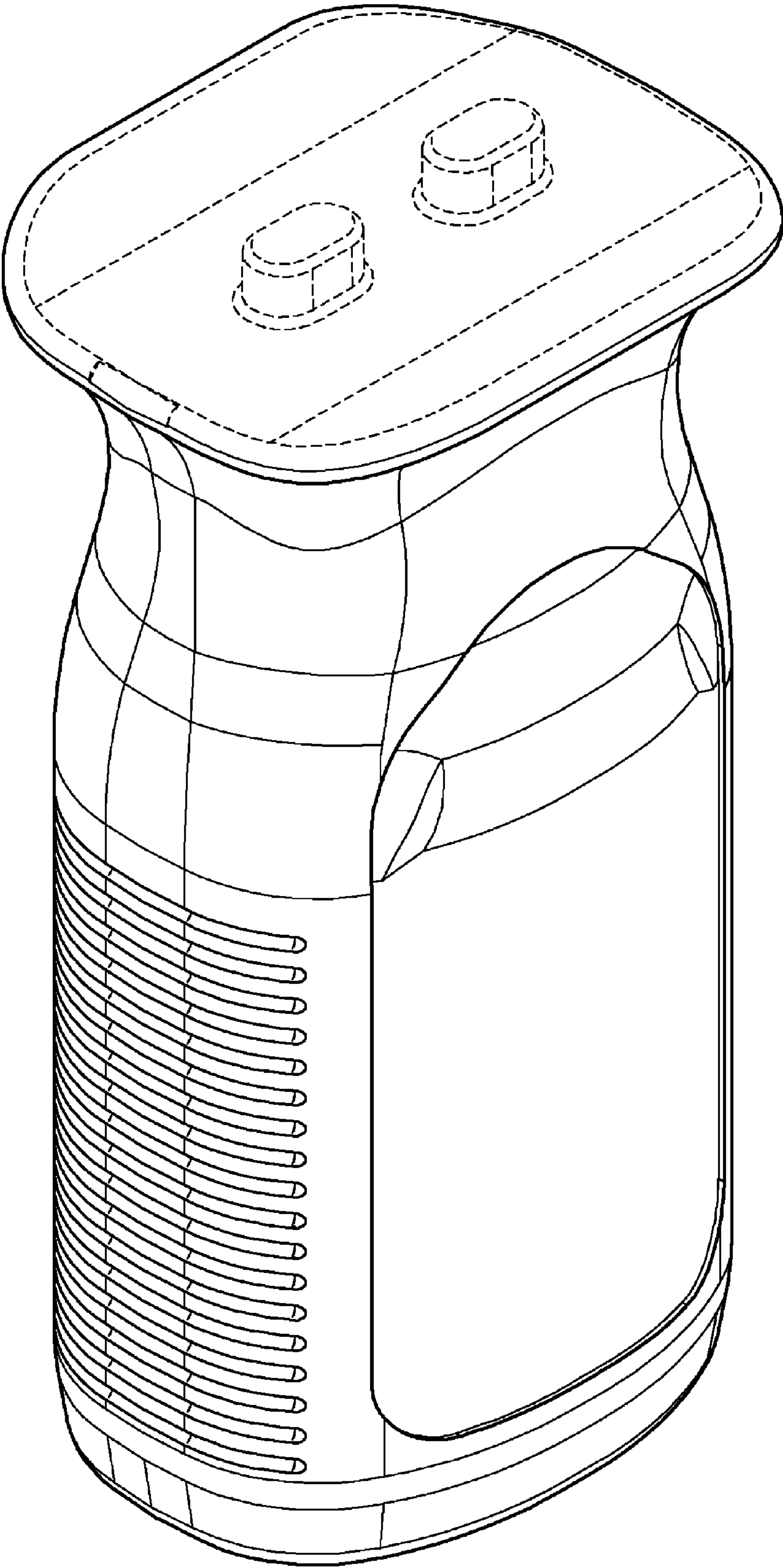


FIG. 1

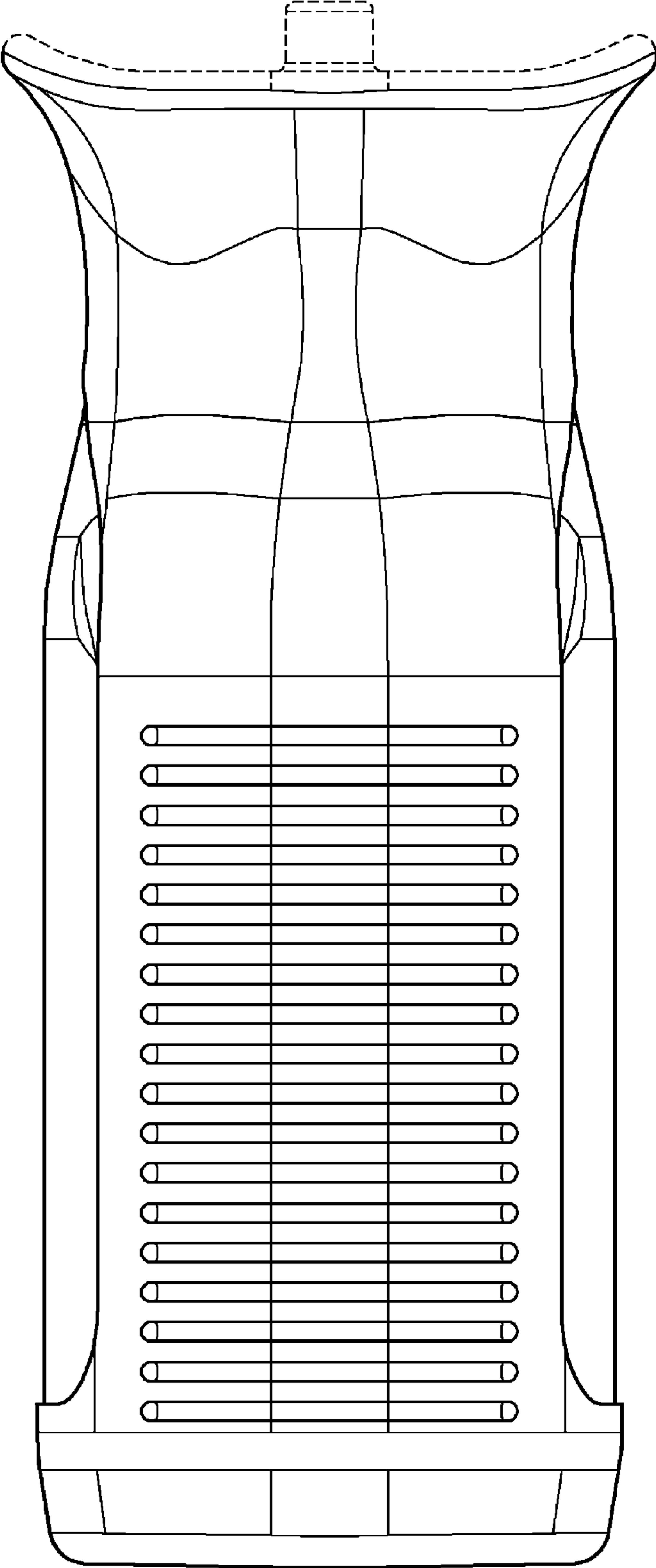


FIG. 2

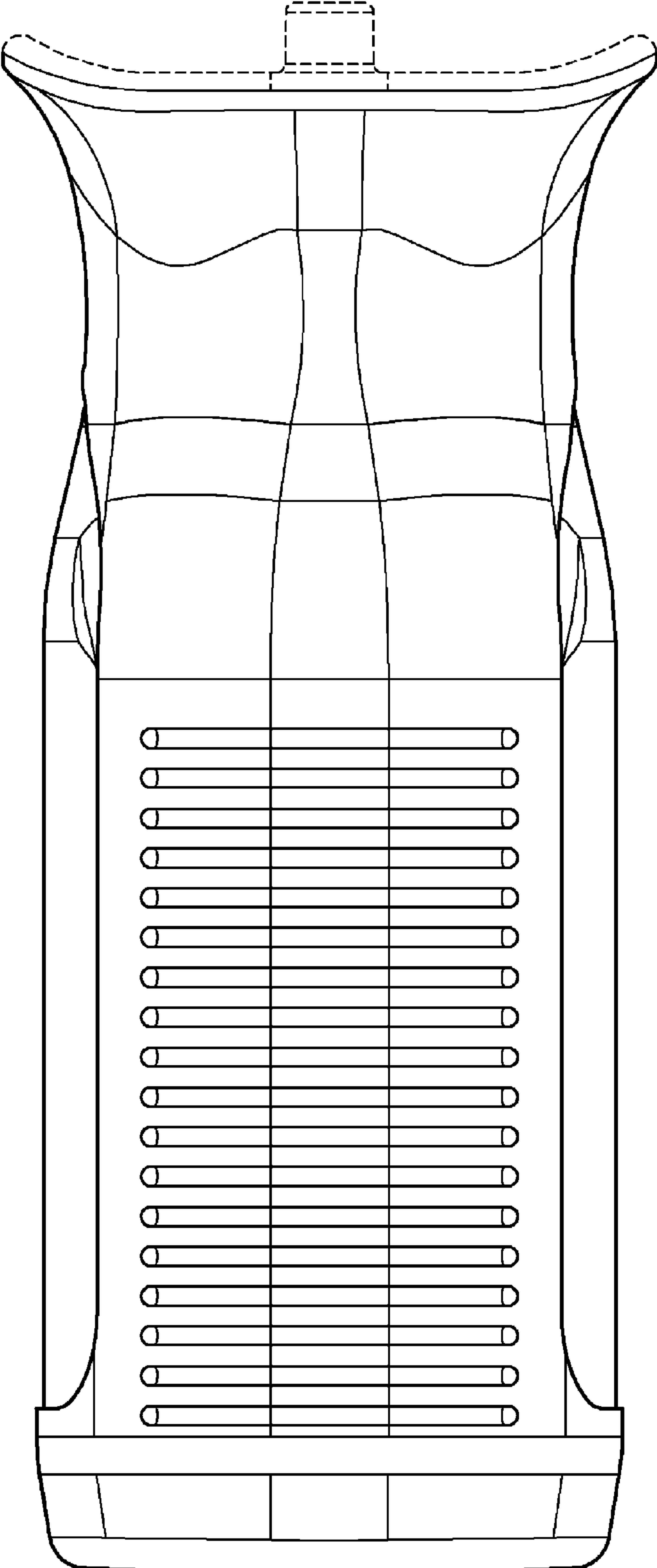


FIG. 3

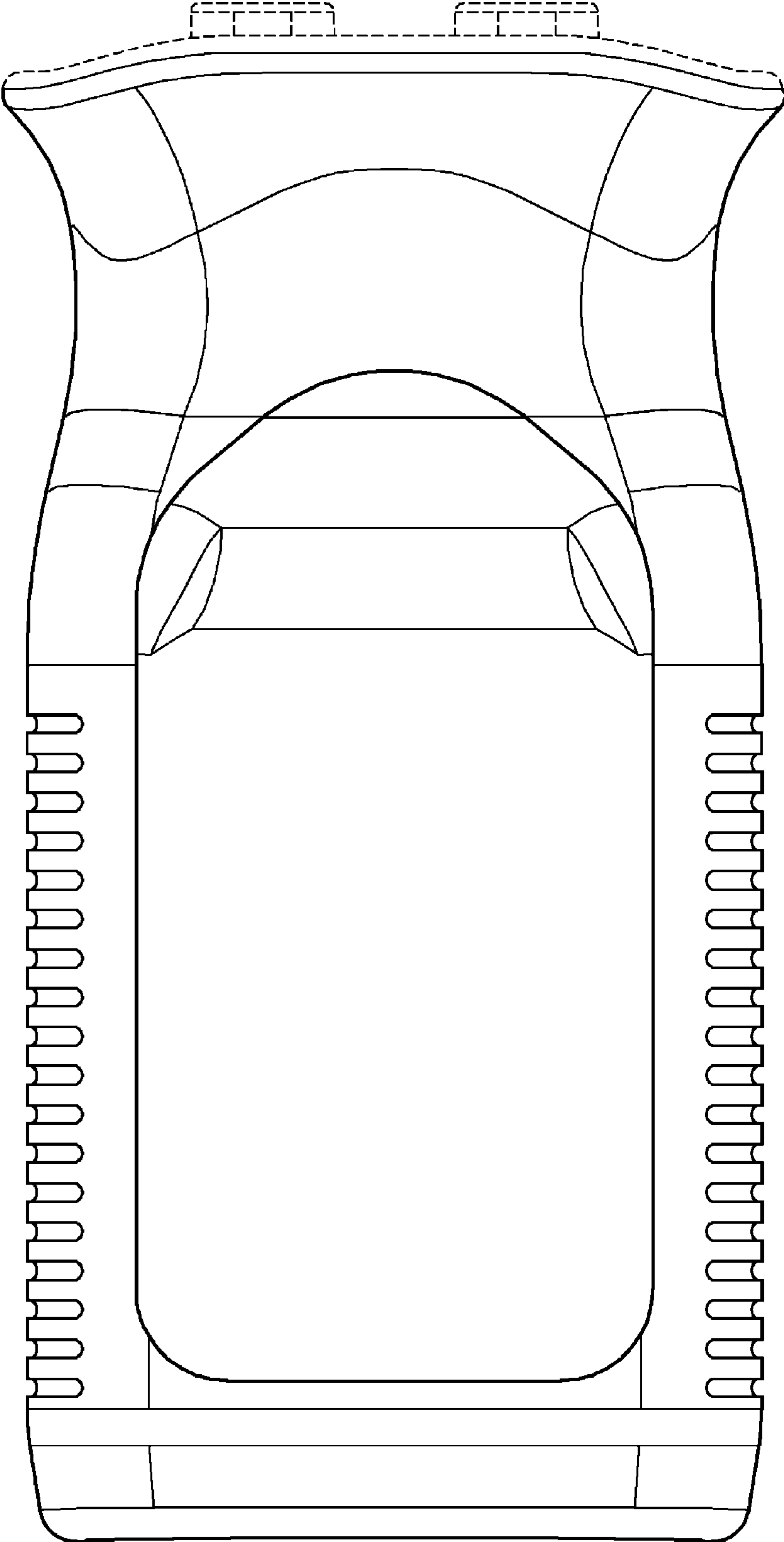


FIG. 4

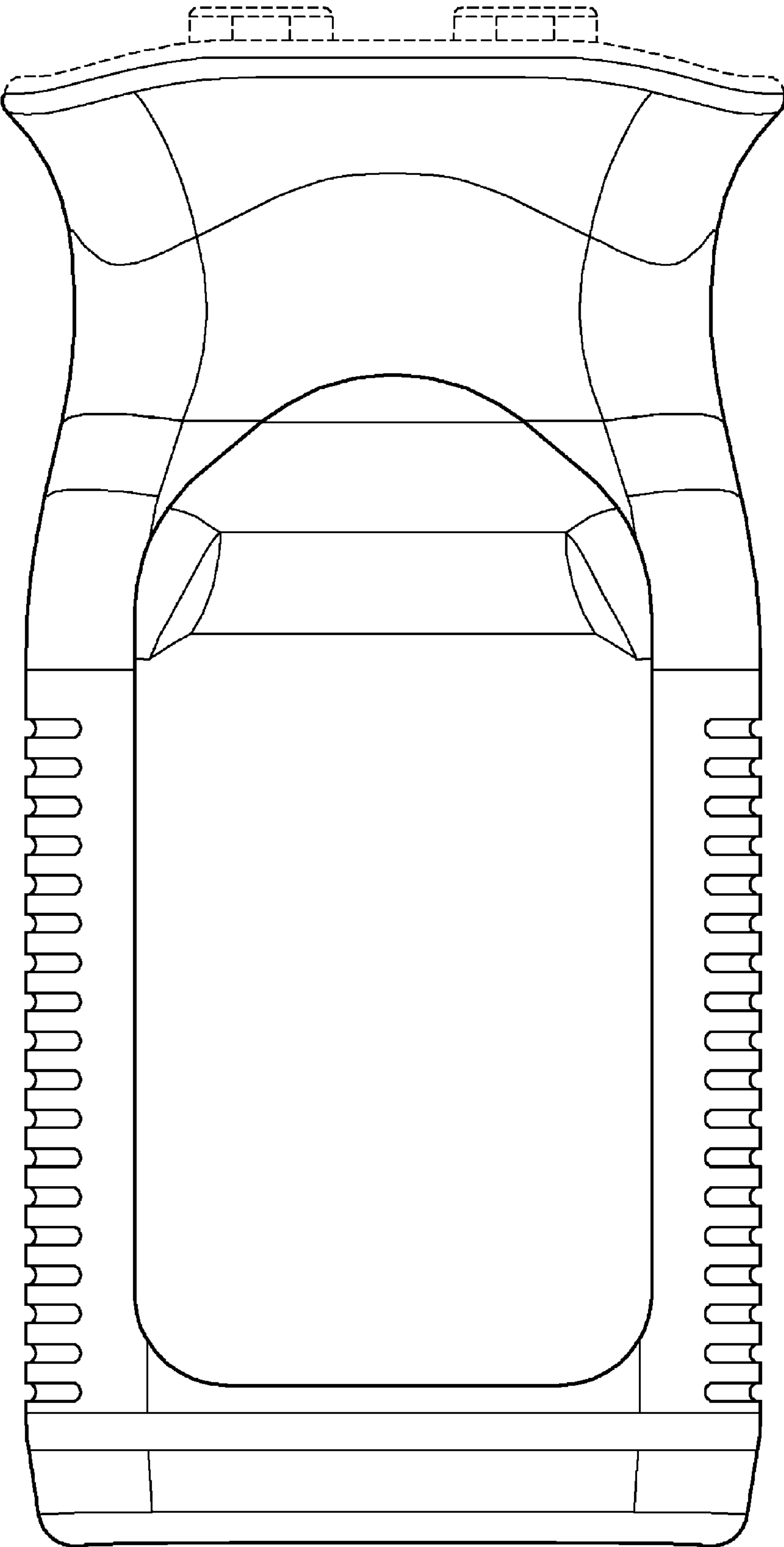


FIG. 5

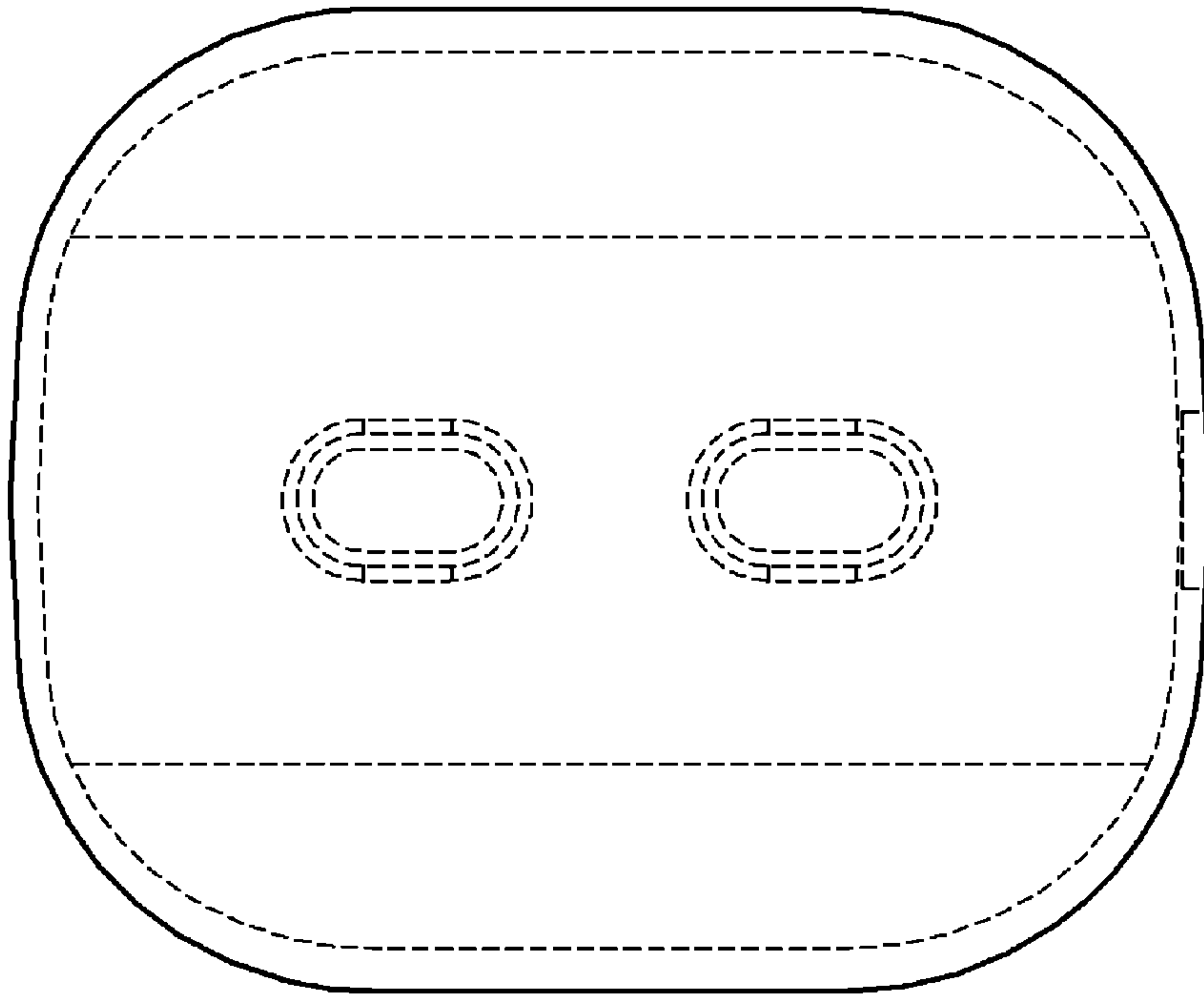


FIG. 6

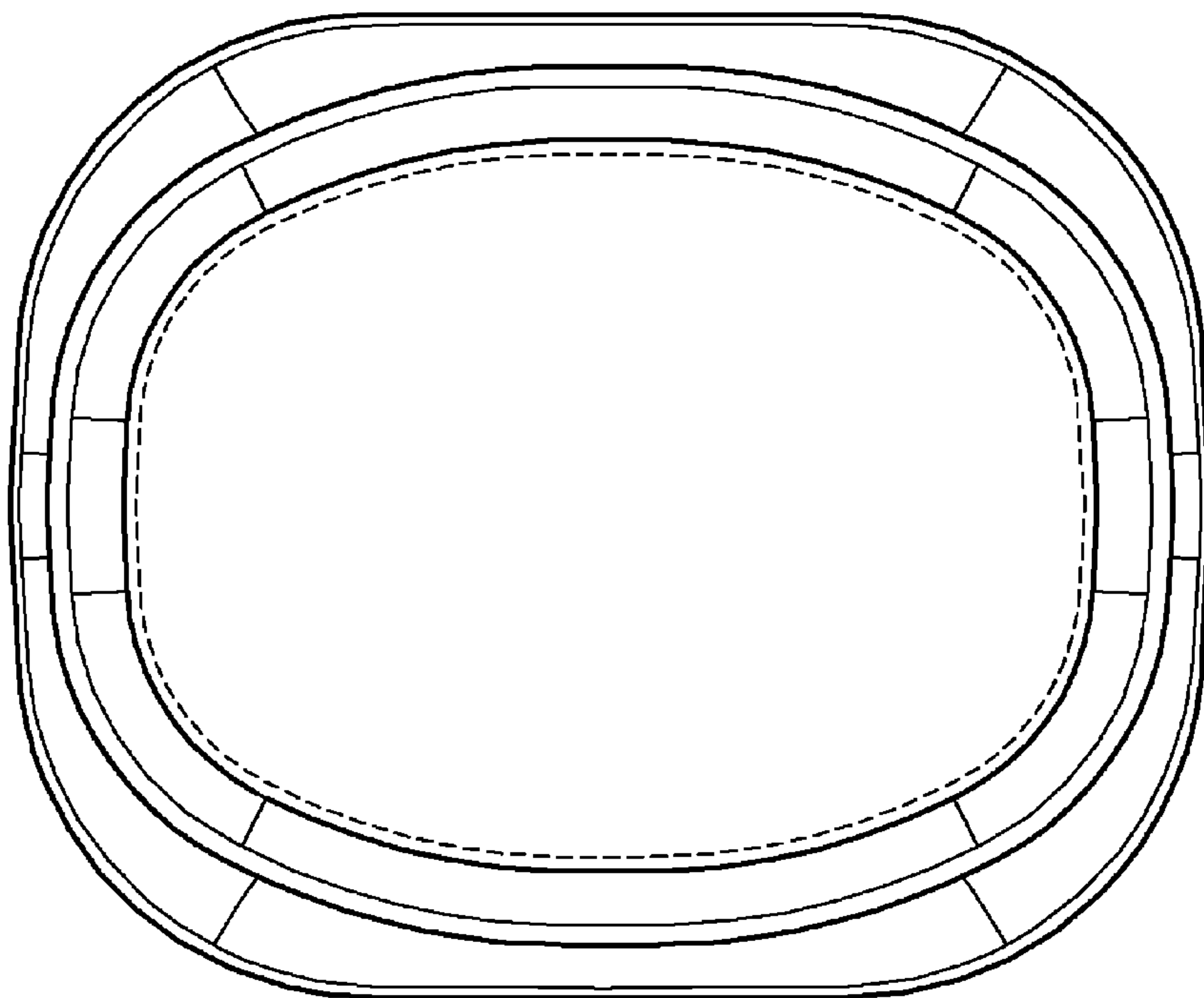


FIG. 7

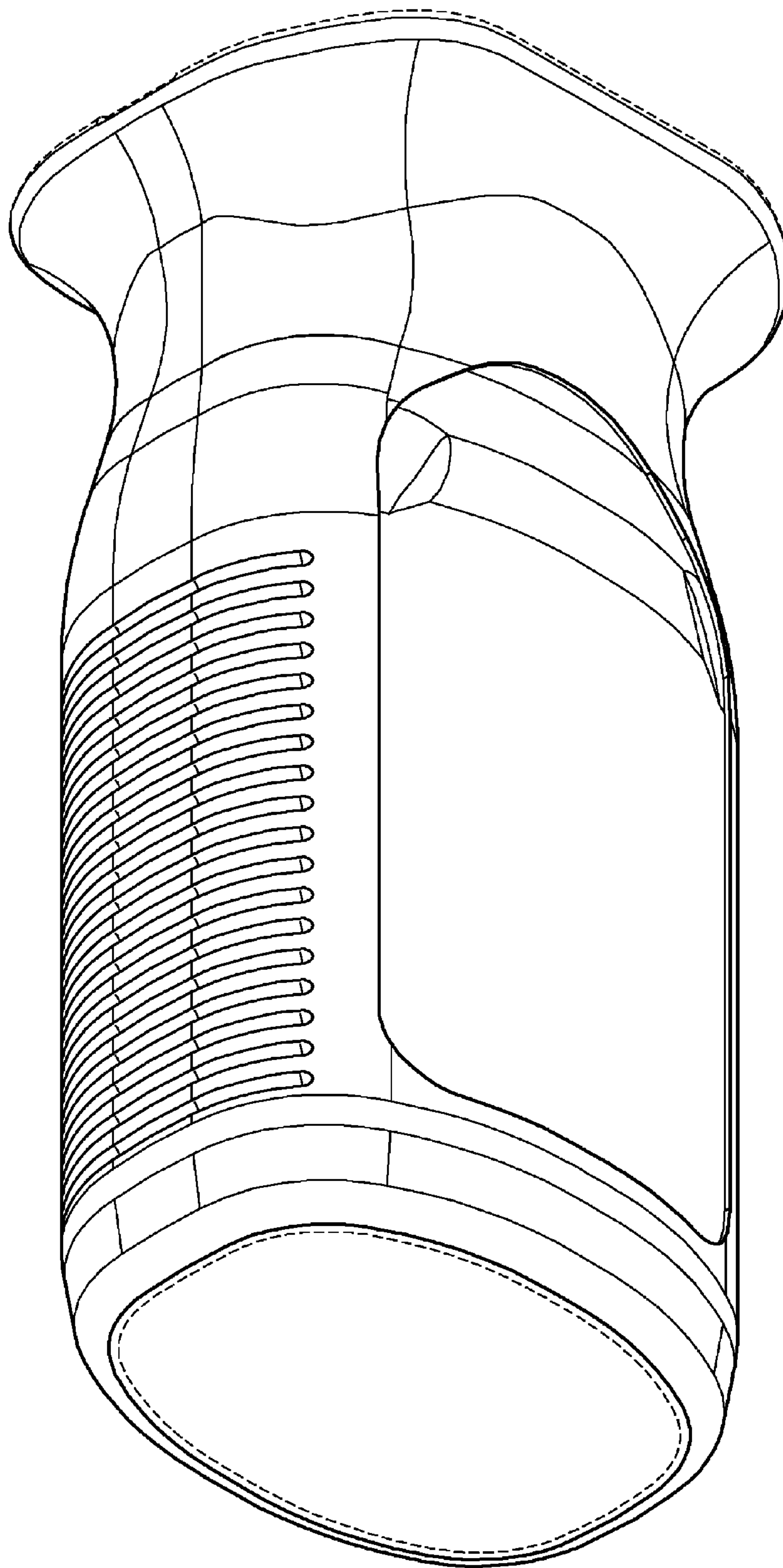


FIG. 8