



US00D633162S

(12) **United States Design Patent**
Campanaro et al.

(10) **Patent No.:** **US D633,162 S**

(45) **Date of Patent:** **** Feb. 22, 2011**

(54) **REBOUNDER**

(75) Inventors: **Thomas J. Campanaro**, Rancho Santa Fe, CA (US); **Dan McCutcheon**, San Diego, CA (US)

(73) Assignee: **Engineering Fitness International Corp.**, San Diego, CA (US)

(**) Term: **14 Years**

(21) Appl. No.: **29/343,270**

(22) Filed: **Sep. 10, 2009**

(51) **LOC (9) Cl.** **21-02**

(52) **U.S. Cl.** **D21/797**

(58) **Field of Classification Search** D21/662,
D21/672, 694, 780, 797, 814; 482/16, 27,
482/28, 29, 30, 780; 473/219, 431, 434,
473/435, 454

See application file for complete search history.

(56) **References Cited**

U.S. PATENT DOCUMENTS

2,590,049	A *	3/1952	Sidlinger	482/28
4,008,892	A *	2/1977	Nissen	482/16
4,225,131	A *	9/1980	Sidlinger et al.	482/27
4,483,531	A *	11/1984	Laseman et al.	482/27
5,007,638	A *	4/1991	Yukl	473/435
5,370,591	A *	12/1994	Jewell et al.	482/30
5,613,922	A *	3/1997	Hsiang	473/435
5,947,870	A *	9/1999	Hall et al.	482/27
6,162,061	A *	12/2000	Taylor	434/253
D462,733	S *	9/2002	Smith, IV	D21/780

D504,711	S *	5/2005	Hsiung	D21/797
2006/0105852	A1 *	5/2006	Curry	473/219
2010/0120557	A1 *	5/2010	Klein et al.	473/434

OTHER PUBLICATIONS

PlyoRebounder Product Sheet, Engineering Fitness International, 2006, 1 page.

* cited by examiner

Primary Examiner—Susan E Krakower

(74) *Attorney, Agent, or Firm*—Stephen C. Beuerle; Procopio Cory Hargreaves & Savitch LLP

(57) **CLAIM**

The ornamental design for a rebounder, as shown and described.

DESCRIPTION

FIG. 1 is a front perspective view of the rebounder;

FIG. 2 is a rear perspective view of the rebounder;

FIG. 3 is a front elevational view of the rebounder;

FIG. 4 is a rear elevational view of the rebounder;

FIG. 5 is a top plan view of the rebounder;

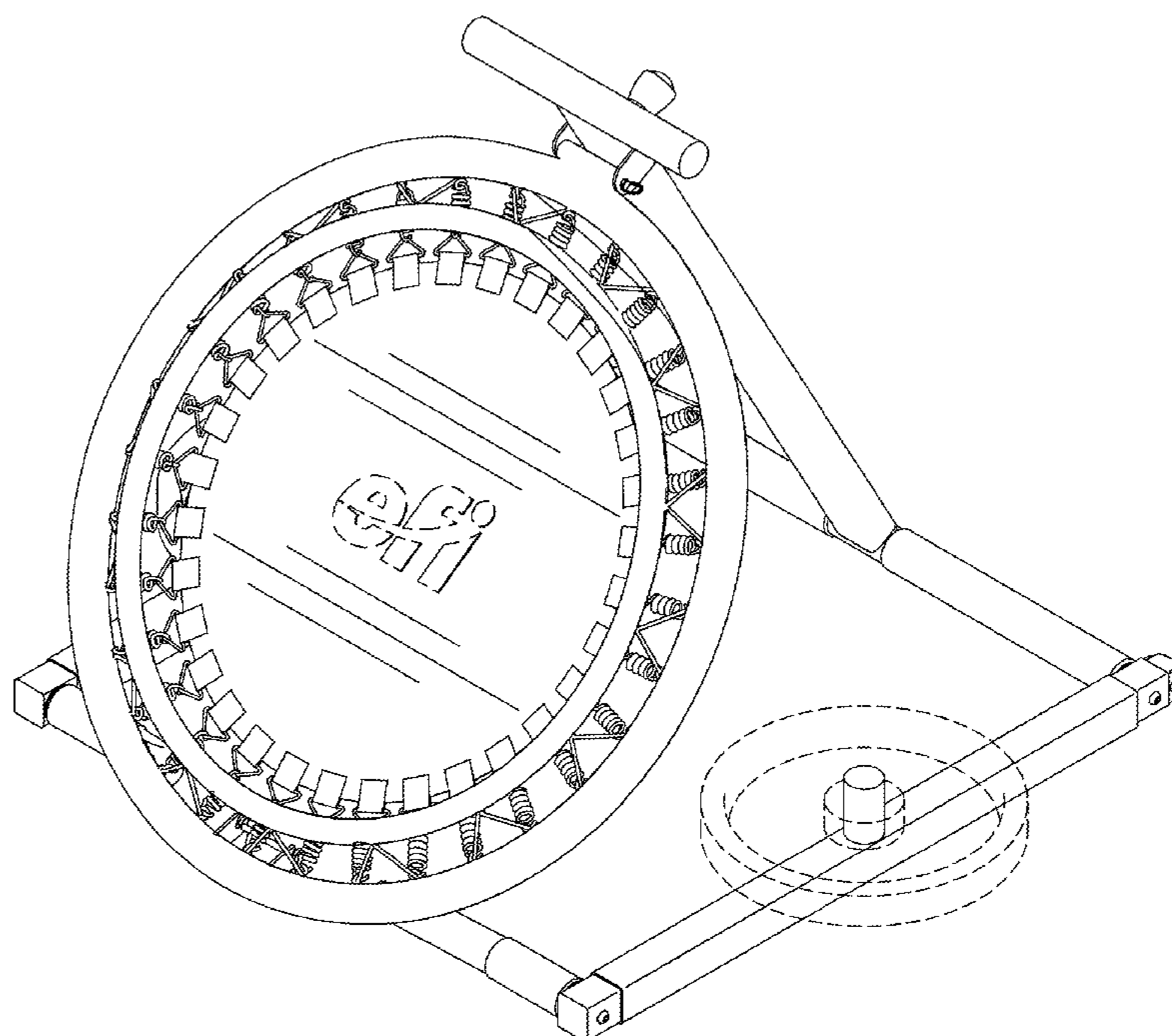
FIG. 6 is a right side elevational view of the rebounder;

FIG. 7 is a bottom plan view of the rebounder; and,

FIG. 8 is a left side elevational view of the rebounder.

Any broken lines shown in FIGS. 1-8 are included for the purpose of illustrating environmental elements only and form no part of the claimed design.

1 Claim, 8 Drawing Sheets



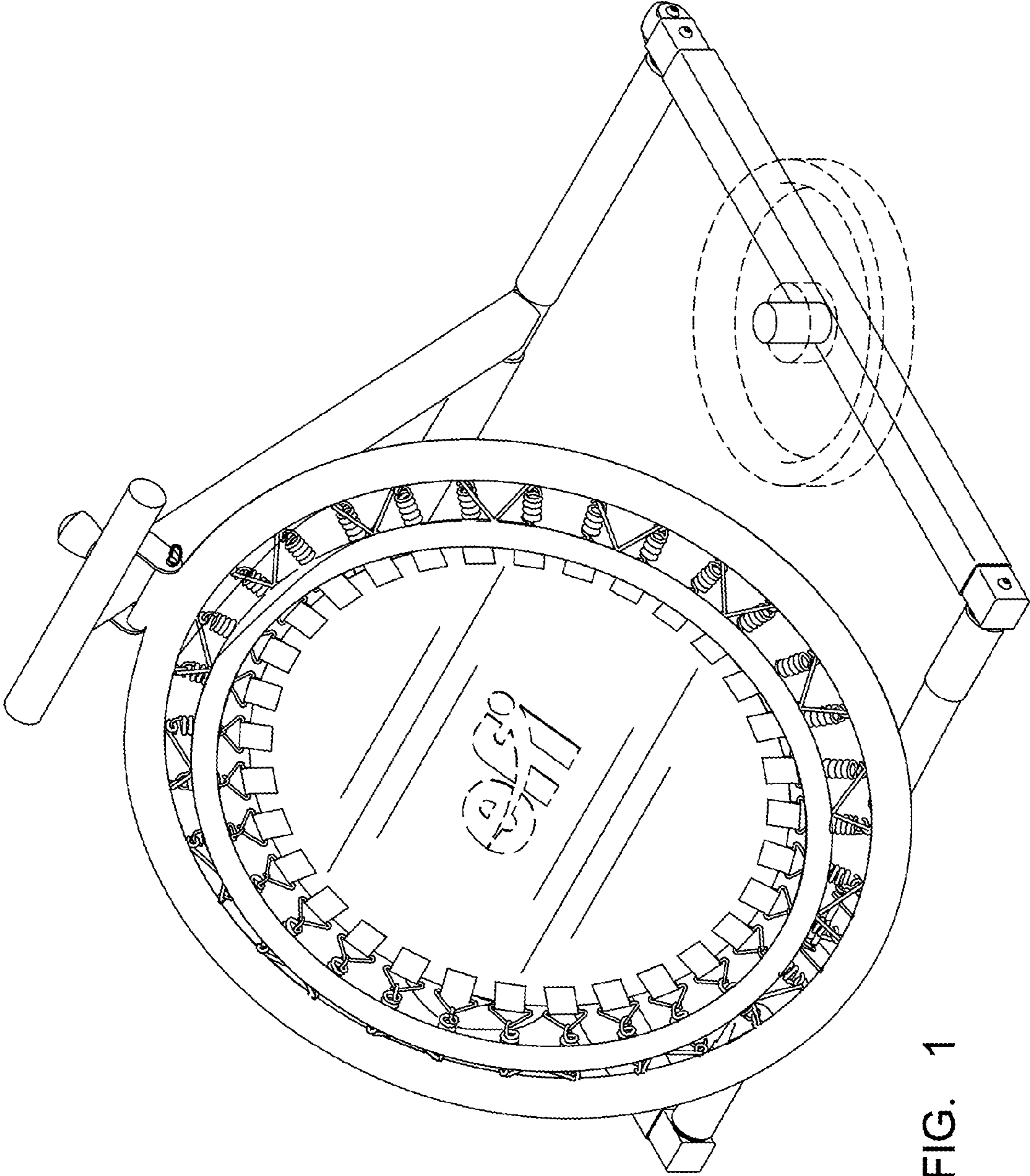


FIG. 1

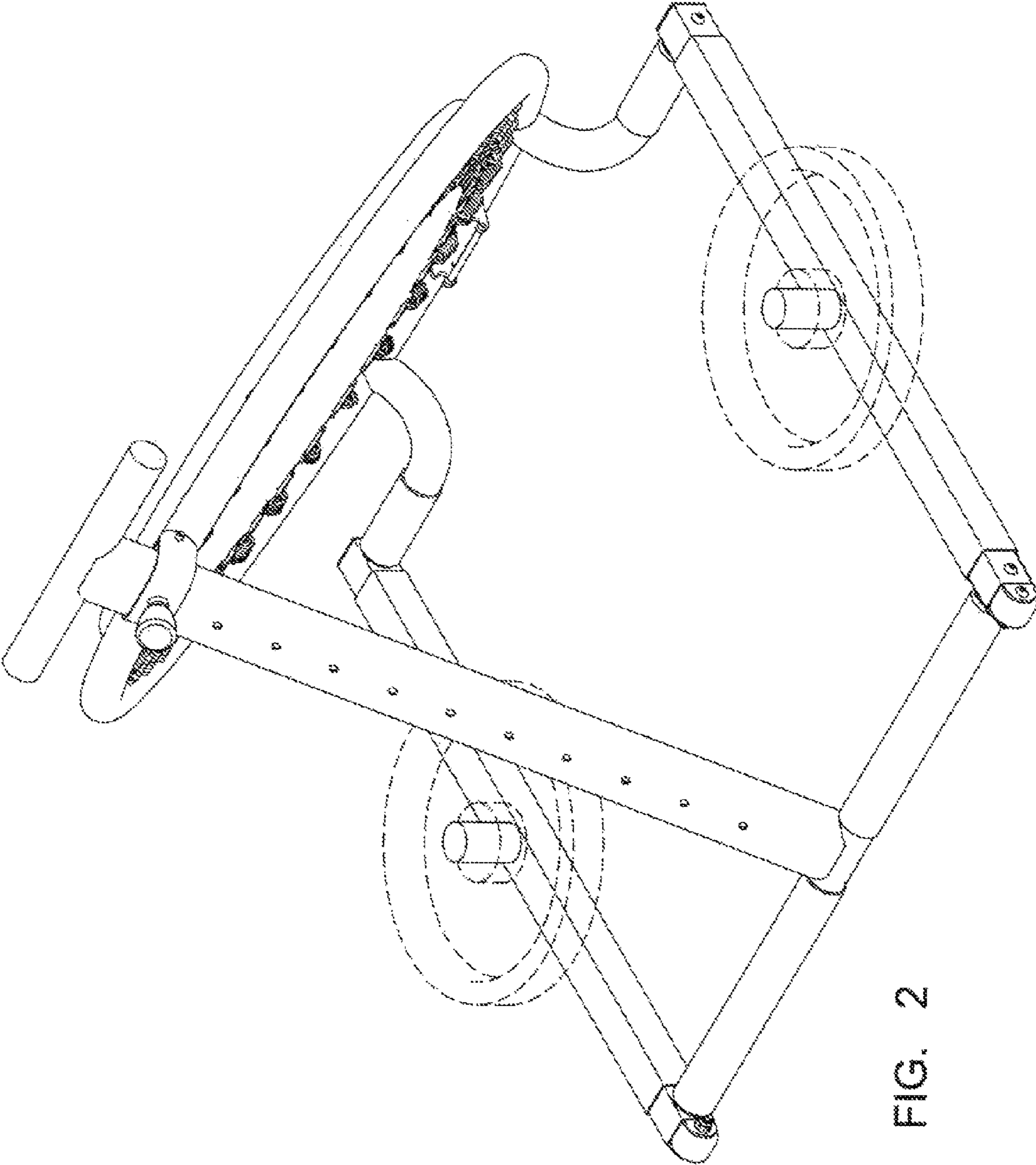


FIG. 2

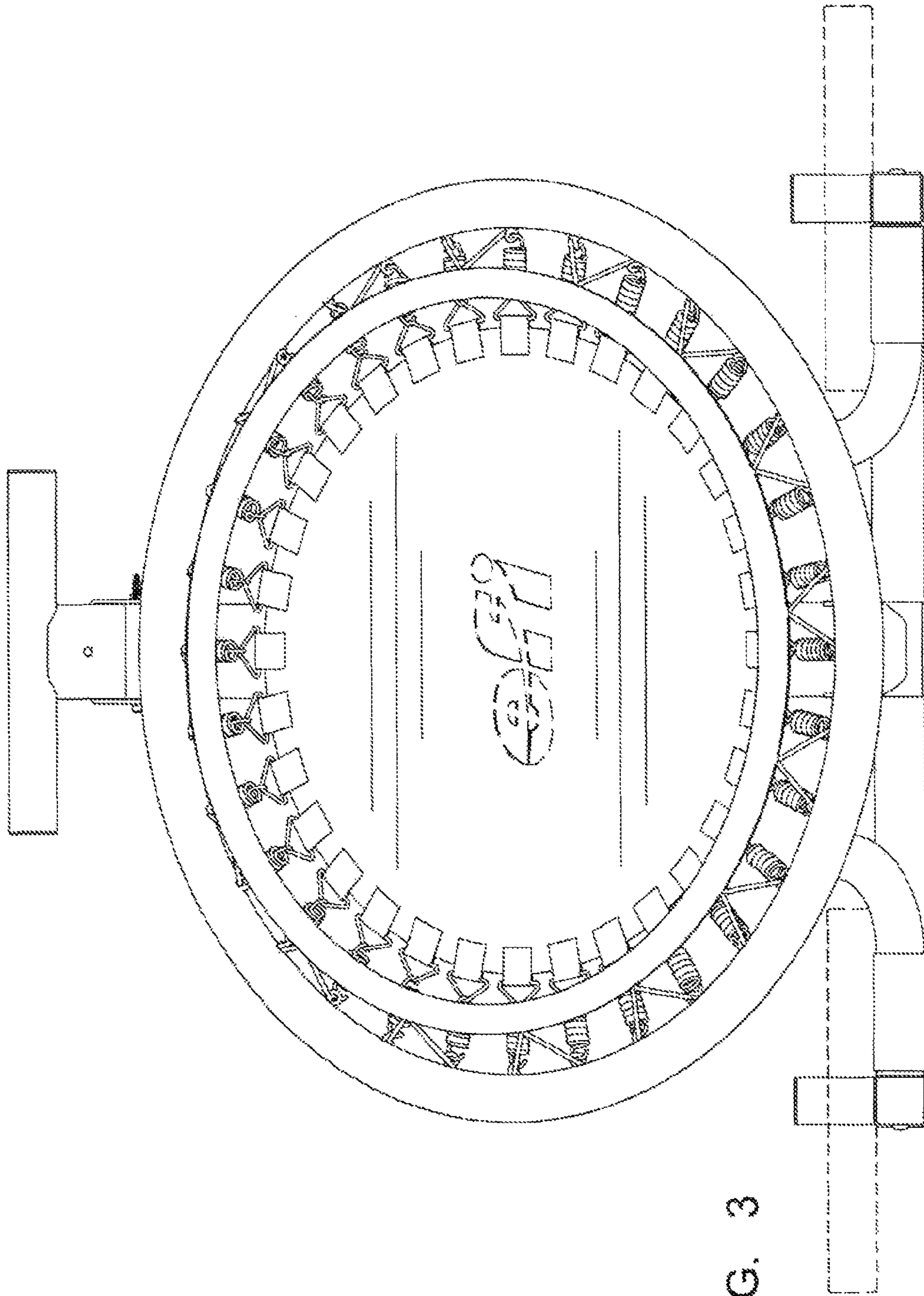


FIG. 3

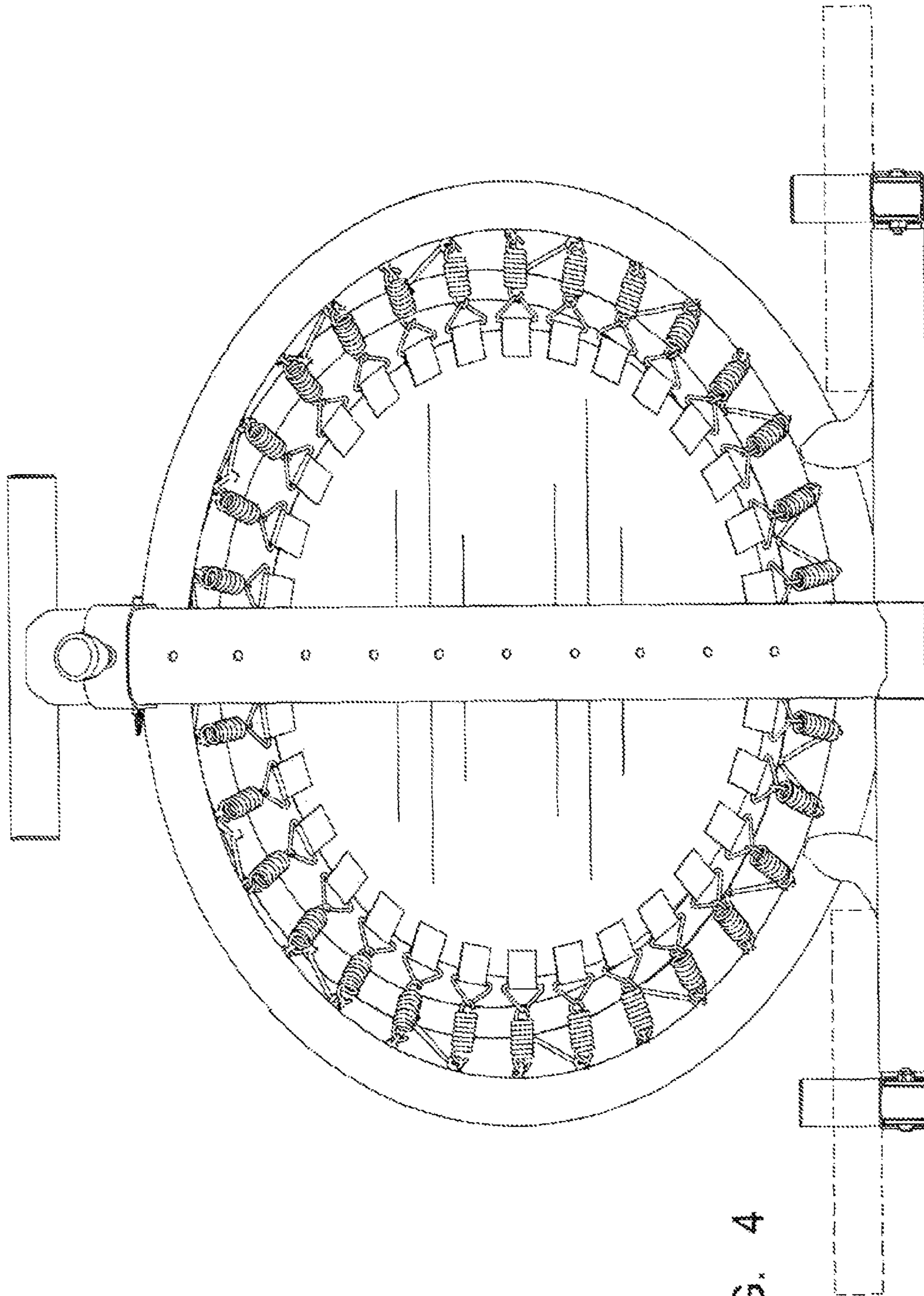


FIG. 4

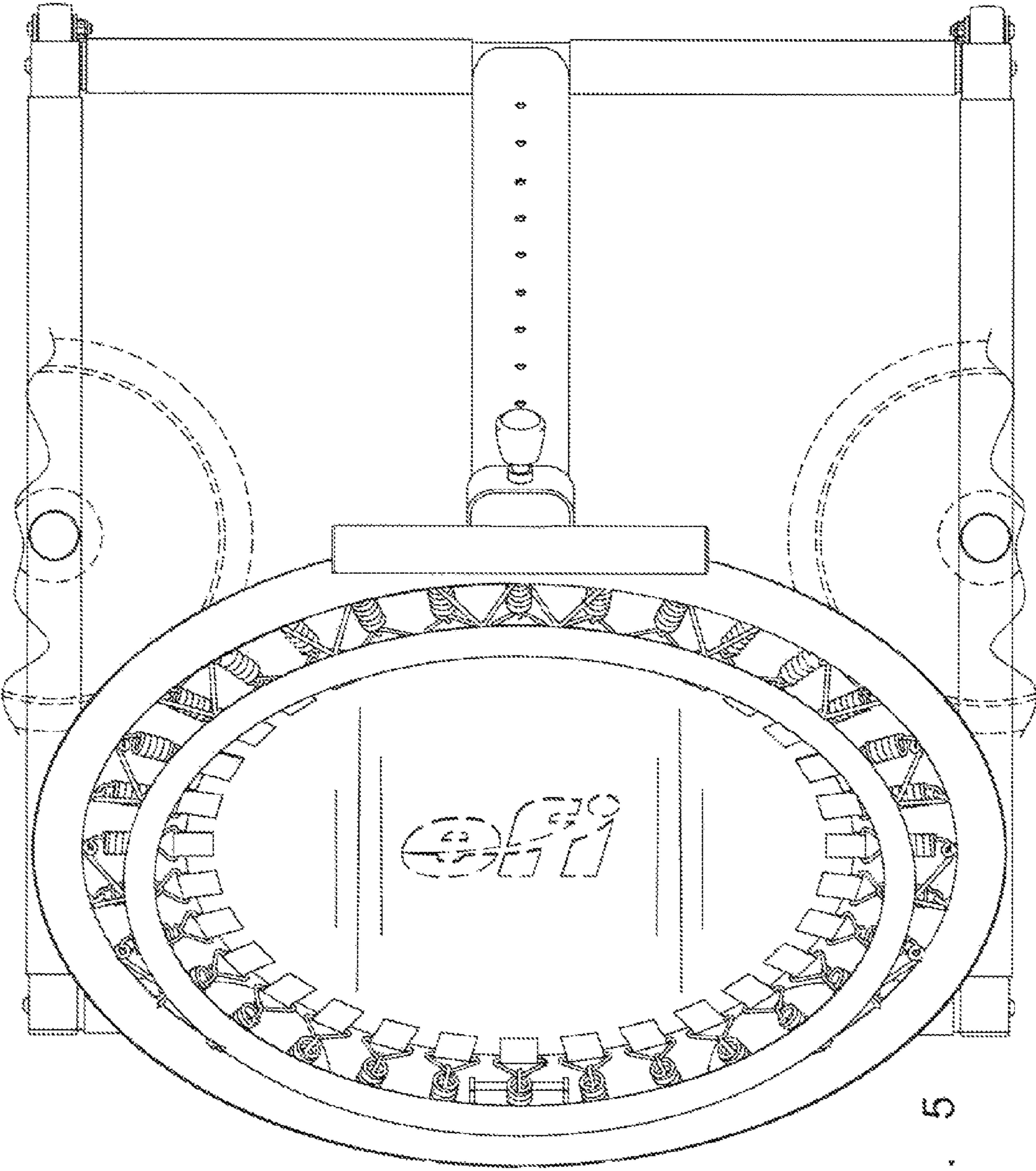
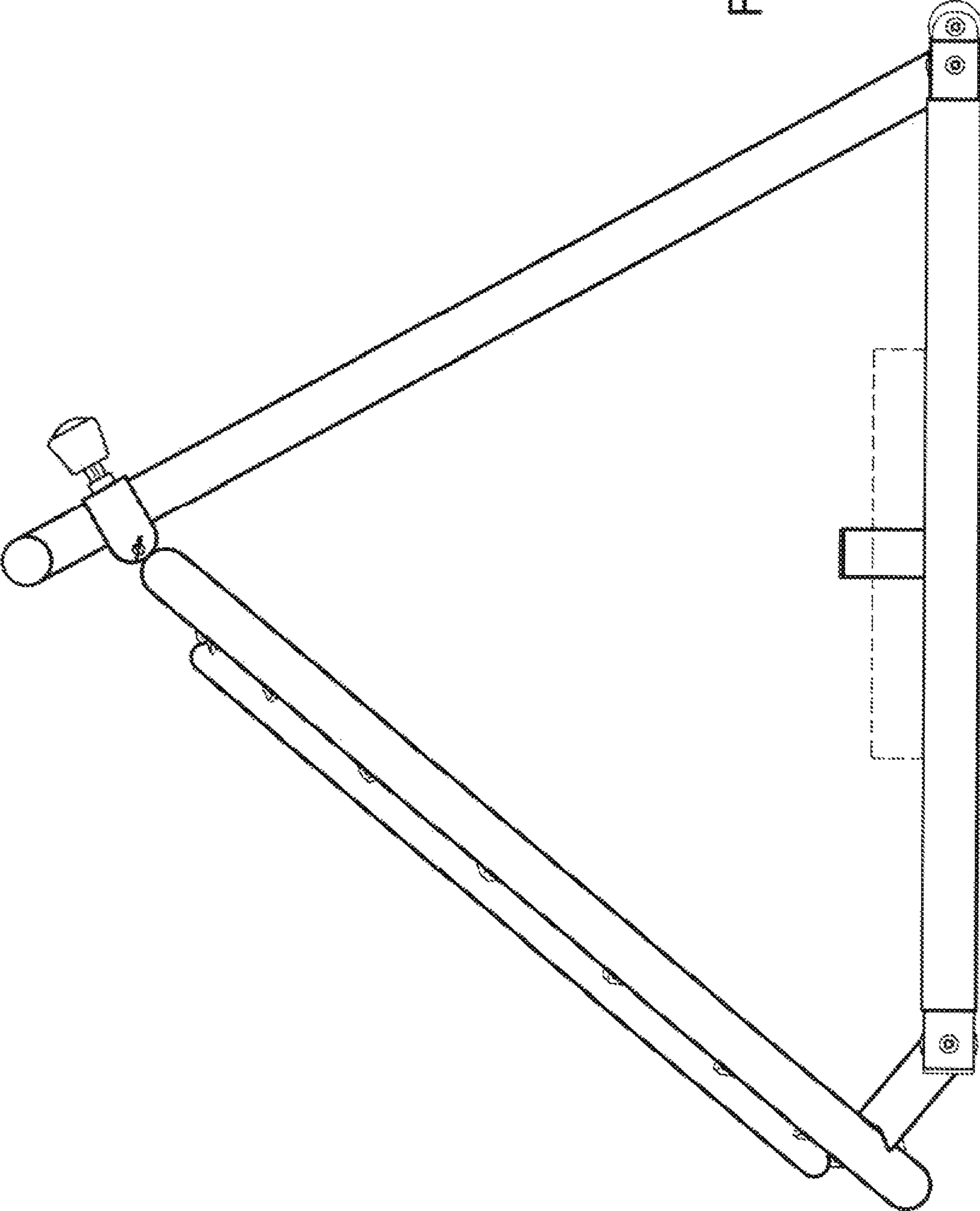


FIG. 5

FIG. 6



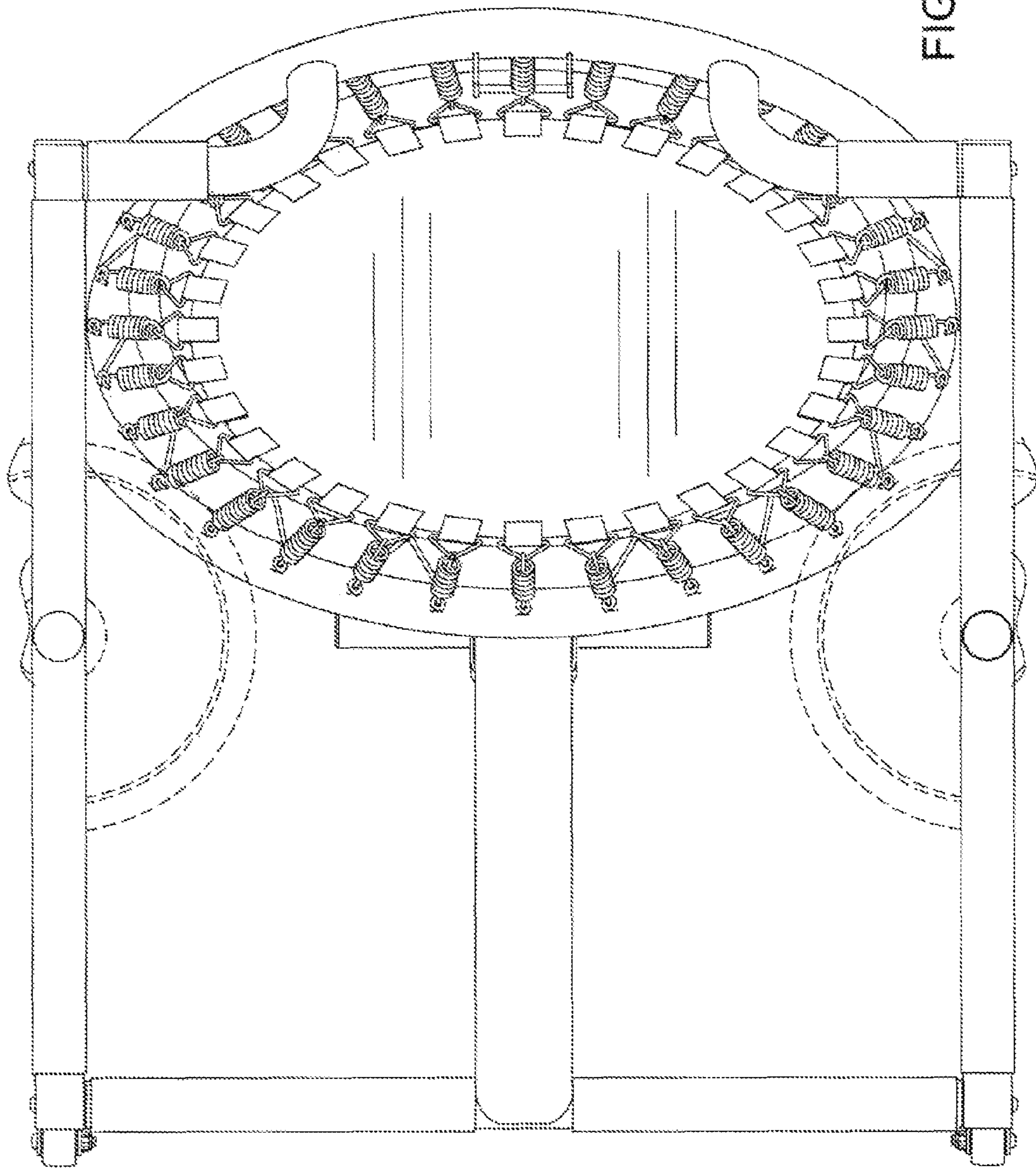


FIG. 7

FIG. 8

