



US00D633159S

(12) **United States Design Patent**
Holt et al.

(10) **Patent No.:** **US D633,159 S**

(45) **Date of Patent:** **** Feb. 22, 2011**

(54) **IRON GOLF CLUB**

D597,616 S * 8/2009 Ines et al. D21/747
D600,765 S * 9/2009 Llewellyn et al. D21/759
D625,375 S * 10/2010 Kim et al. D21/748

(75) Inventors: **Denver Holt**, Carlsbad, CA (US); **Scott R. Manwaring**, Carlsbad, CA (US); **James Seluga**, San Diego, CA (US)

* cited by examiner

(73) Assignee: **Callaway Golf Company**, Carlsbad, CA (US)

Primary Examiner—Mitchell I Siegel
(74) *Attorney, Agent, or Firm*—Michael A. Catania

(**) Term: **14 Years**

(57) **CLAIM**

(21) Appl. No.: **29/358,429**

The ornamental design for an iron golf club, as shown and described.

(22) Filed: **Mar. 26, 2010**

(51) **LOC (9) Cl.** **21-02**

(52) **U.S. Cl.** **D21/747**

(58) **Field of Classification Search** D21/747–751,
D21/759; 473/324–331, 350
See application file for complete search history.

DESCRIPTION

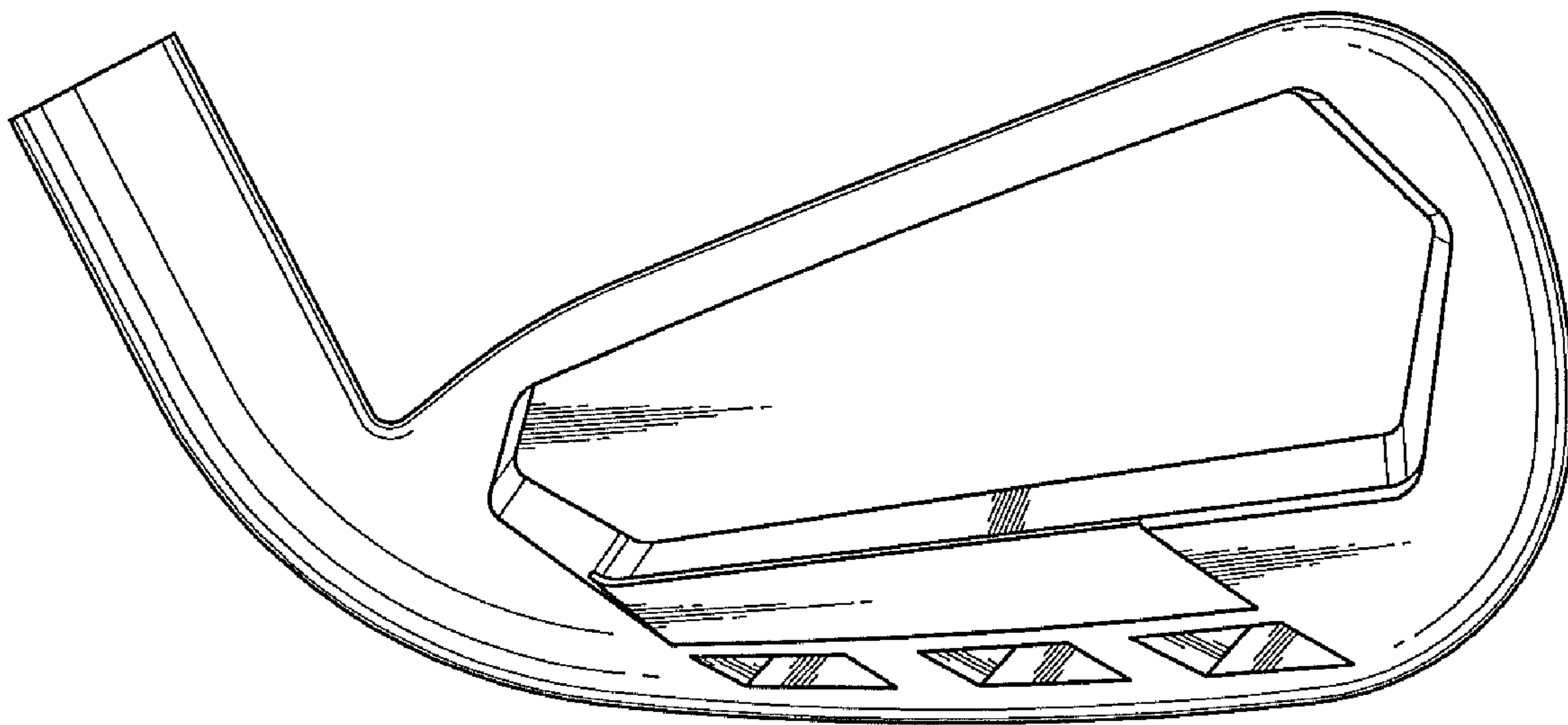
FIG. 1 is a rear elevational view of an iron golf club;
FIG. 2 is a front elevational view thereof;
FIG. 3 is a heel elevational view thereof;
FIG. 4 is a toe elevational view thereof; and,
FIG. 5 is a bottom plan view thereof.

(56) **References Cited**

U.S. PATENT DOCUMENTS

D579,996 S * 11/2008 Gilbert et al. D21/747

1 Claim, 2 Drawing Sheets



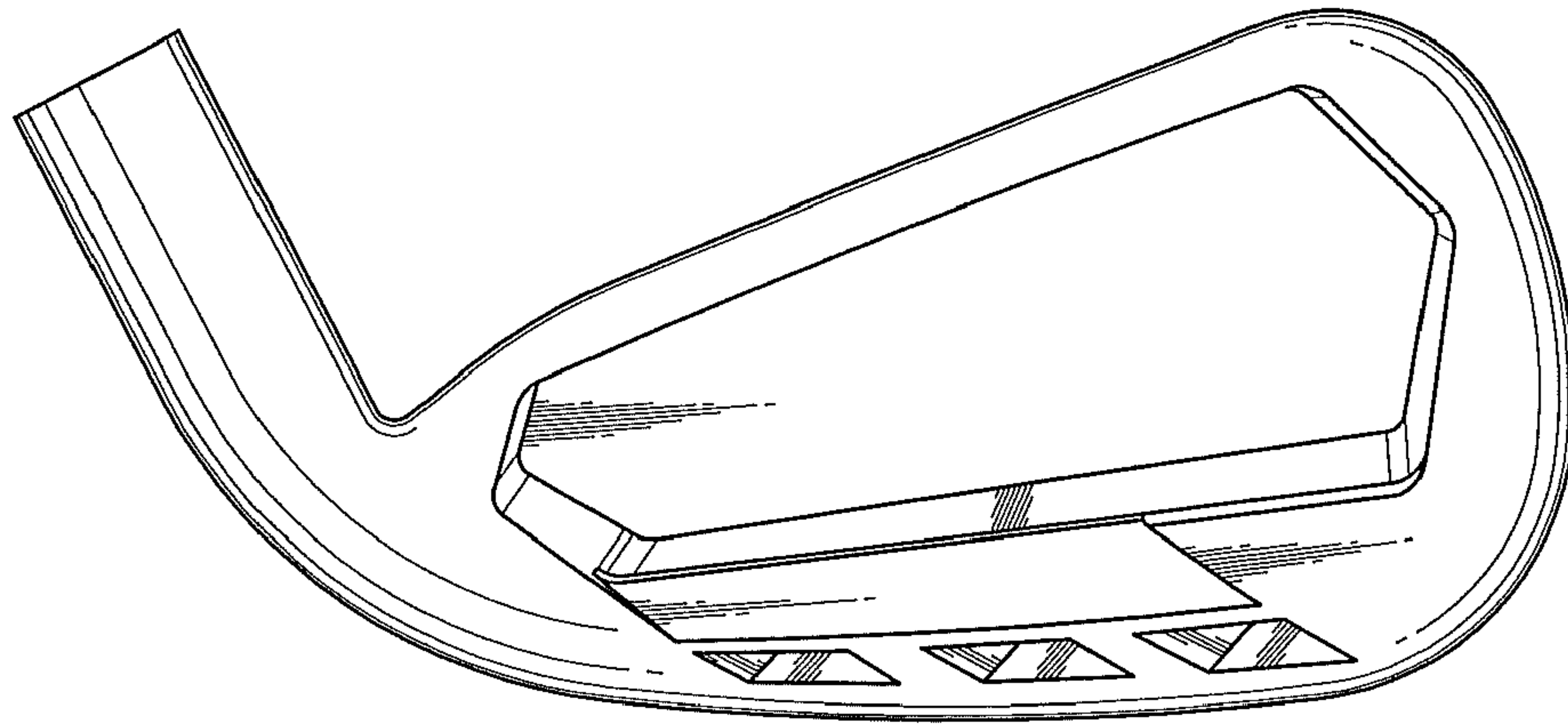


FIG. 1

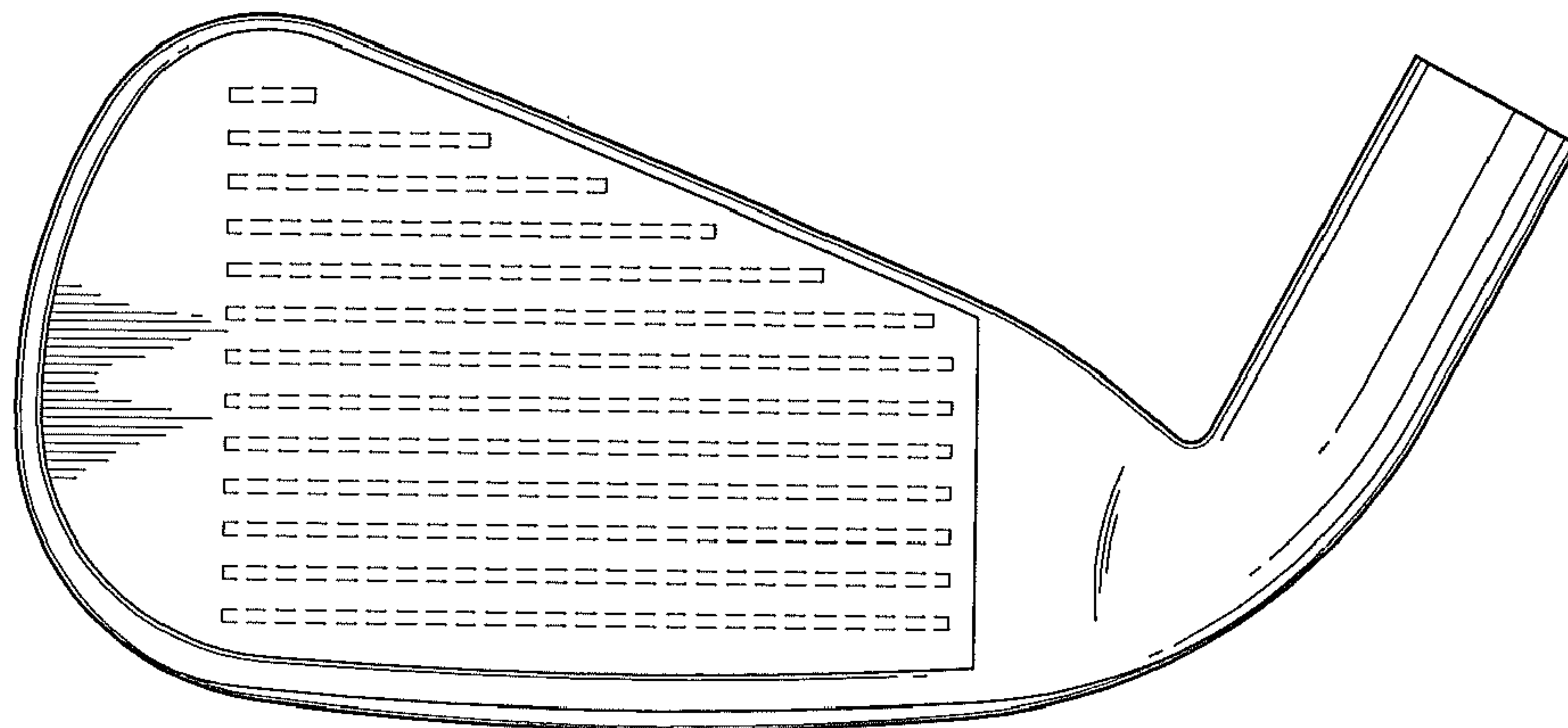


FIG. 2

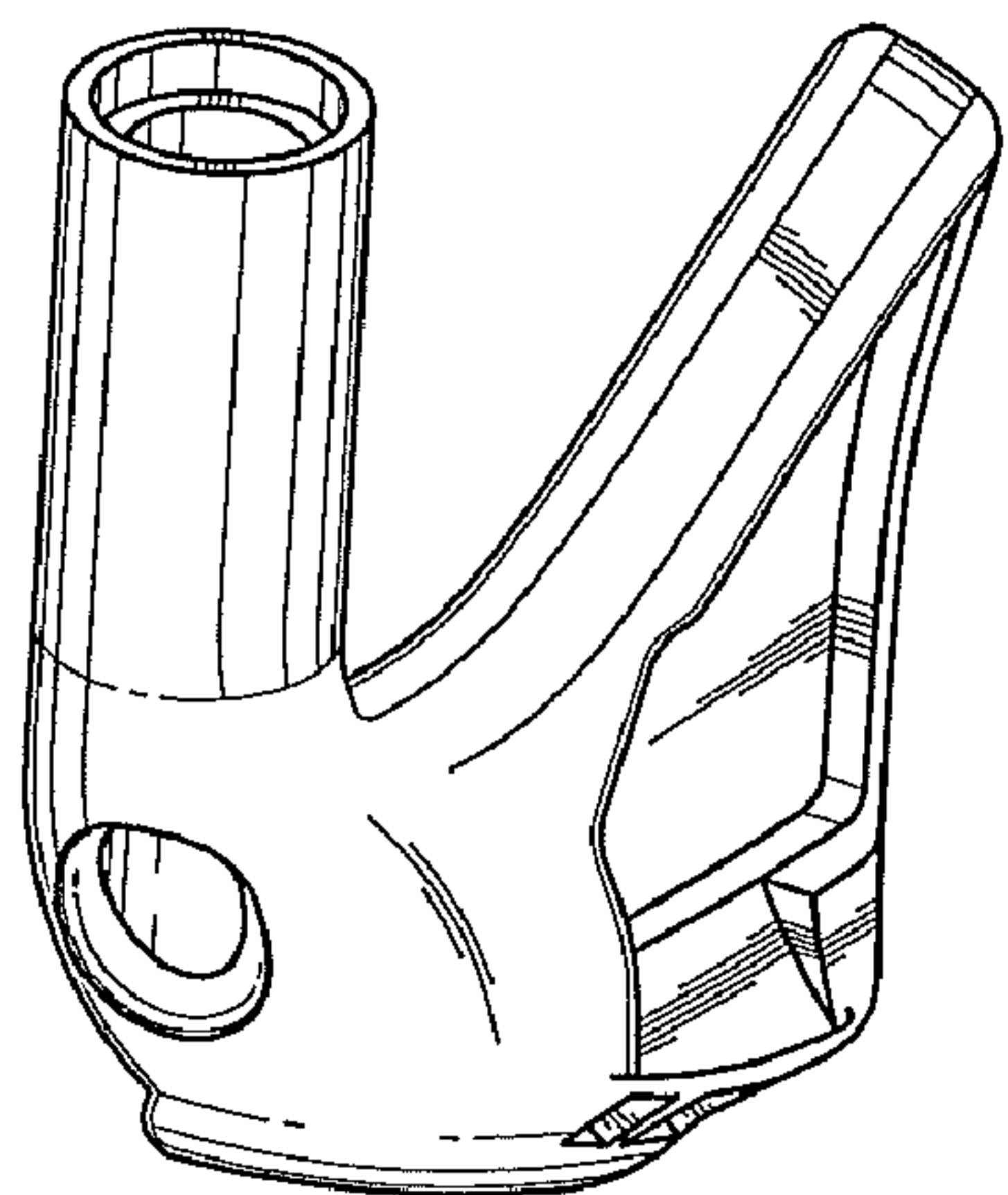


FIG. 3

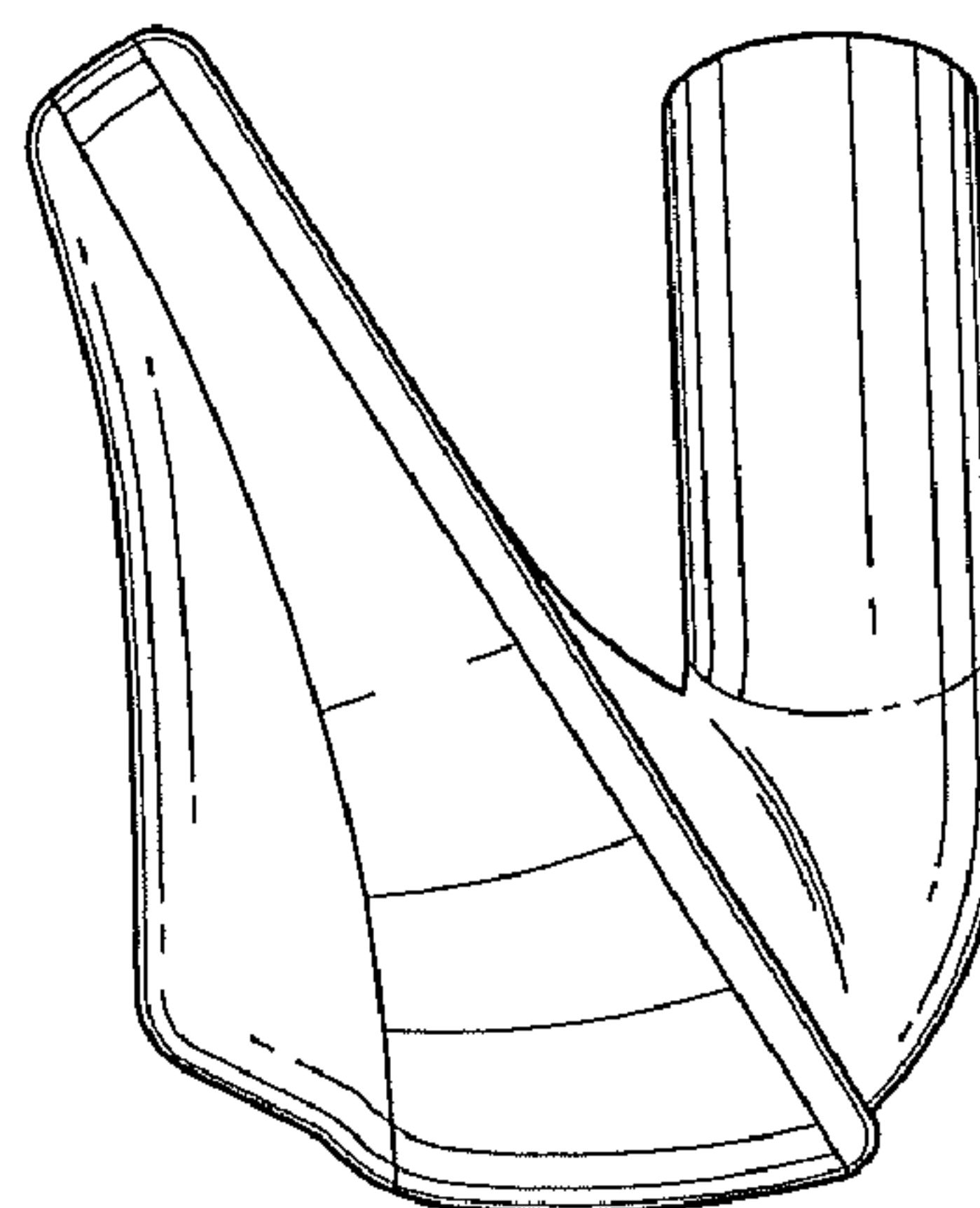


FIG. 4

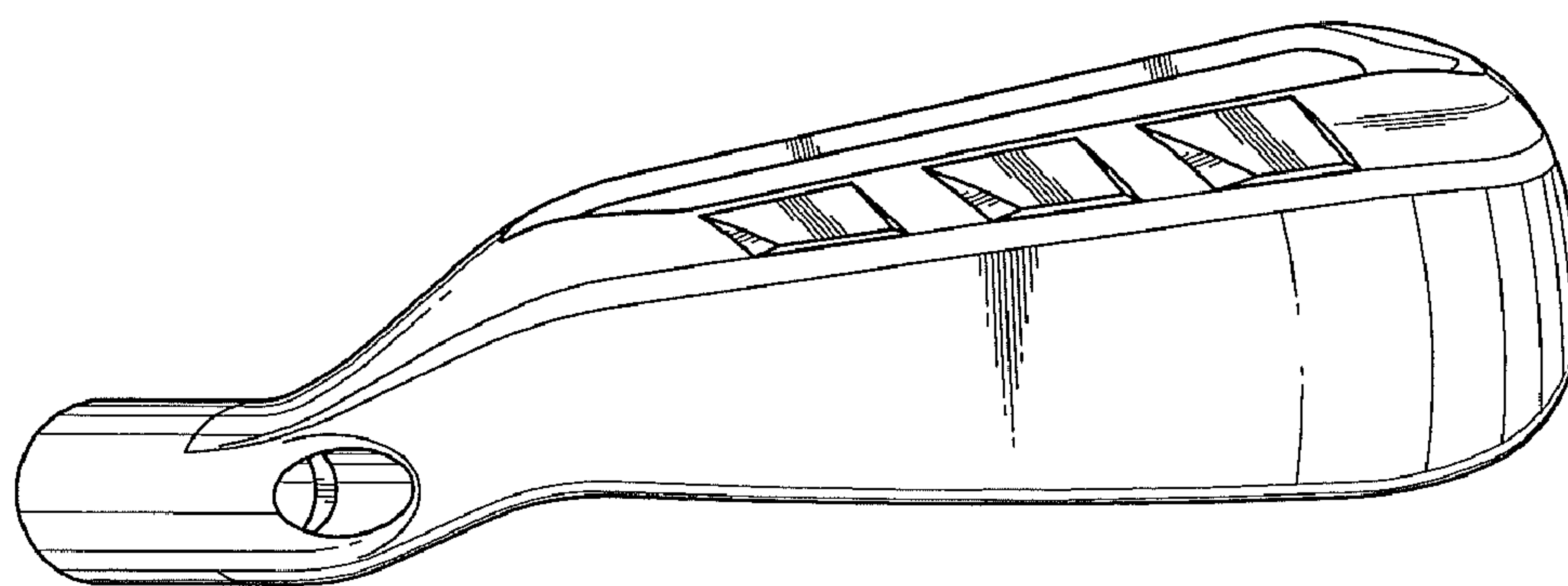


FIG. 5