



US00D633156S

(12) **United States Design Patent**
Caswell et al.

(10) **Patent No.:** **US D633,156 S**

(45) **Date of Patent:** **** Feb. 22, 2011**

(54) **COMBINED CHIN UP AND EXERCISE BAR**

(75) Inventors: **Charles Caswell**, Tulsa, OK (US);
Richard Davis, Tulsa, OK (US)

(73) Assignee: **Go Fit LLC**, Tulsa, OK (US)

(**) Term: **14 Years**

(21) Appl. No.: **29/352,623**

(22) Filed: **Dec. 23, 2009**

(51) **LOC (9) Cl.** **21-02**

(52) **U.S. Cl.** **D21/679**

(58) **Field of Classification Search** D21/662,
D21/679, 691, 694, 797; 482/37, 38, 40,
482/140, 141

See application file for complete search history.

(56) **References Cited**

U.S. PATENT DOCUMENTS

D197,076	S	*	12/1963	Spackman, Jr. et al.	D21/691
D210,469	S	*	3/1968	Sejersen	D21/691
3,915,452	A	*	10/1975	Winblad	482/40
4,458,894	A	*	7/1984	Dudley	482/40
4,529,191	A	*	7/1985	Miller et al.	482/40
D297,957	S	*	10/1988	Gordon, III	D21/691
D301,270	S	*	5/1989	Levenston	D21/691
4,900,015	A	*	2/1990	Dissinger	482/141
D348,706	S	*	7/1994	Harrell	D21/691
5,417,628	A		5/1995	Vanderbleek		
5,752,903	A	*	5/1998	Chang	482/141

5,776,033	A	*	7/1998	Brown	482/40
6,179,748	B1		1/2001	Barr		
7,108,636	B1		9/2006	Garcia		
D554,209	S		10/2007	Loucks		
D623,707	S	*	9/2010	Ritchie	D21/679
D626,187	S	*	10/2010	Friedman et al.	D21/679

* cited by examiner

Primary Examiner—Susan E Krakower

(74) *Attorney, Agent, or Firm*—Plager Seback LLP

(57) **CLAIM**

The ornamental design for a combined chin up and exercise bar, as shown and described.

DESCRIPTION

FIG. 1 is a perspective view of the combined chin-up and exercise bar.

FIG. 2 is rear elevational view of the bar.

FIG. 3 is a front elevational view of the bar.

FIG. 4 is a left side elevational view of the bar.

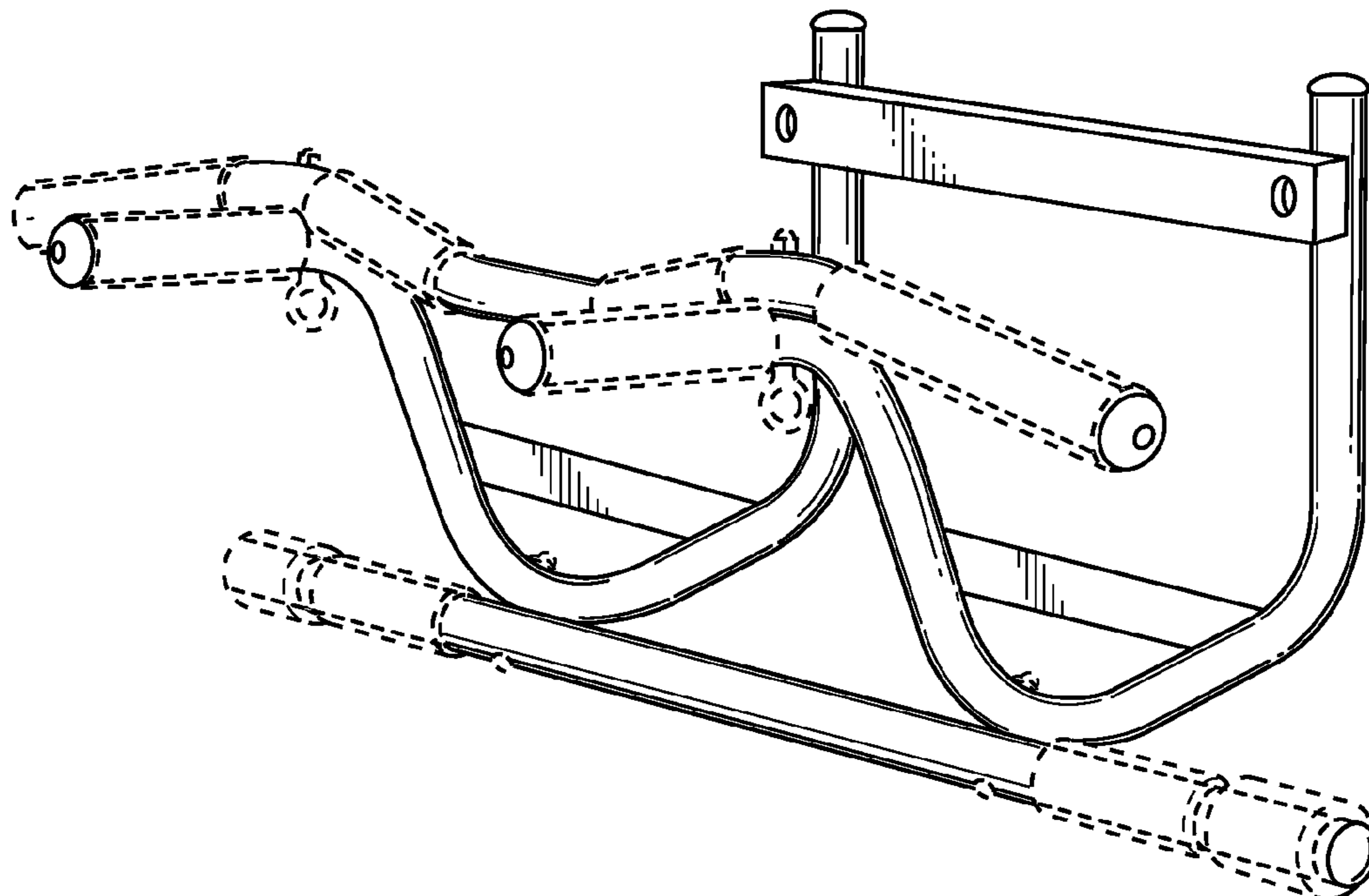
FIG. 5 is a right side elevational view of the bar.

FIG. 6 is a top plan view of the bar; and,

FIG. 7 is a bottom plan view of the bar.

The broken lines in the drawings represent environmental elements of the combined chin up and exercise bar and form no part of the claimed design.

1 Claim, 4 Drawing Sheets



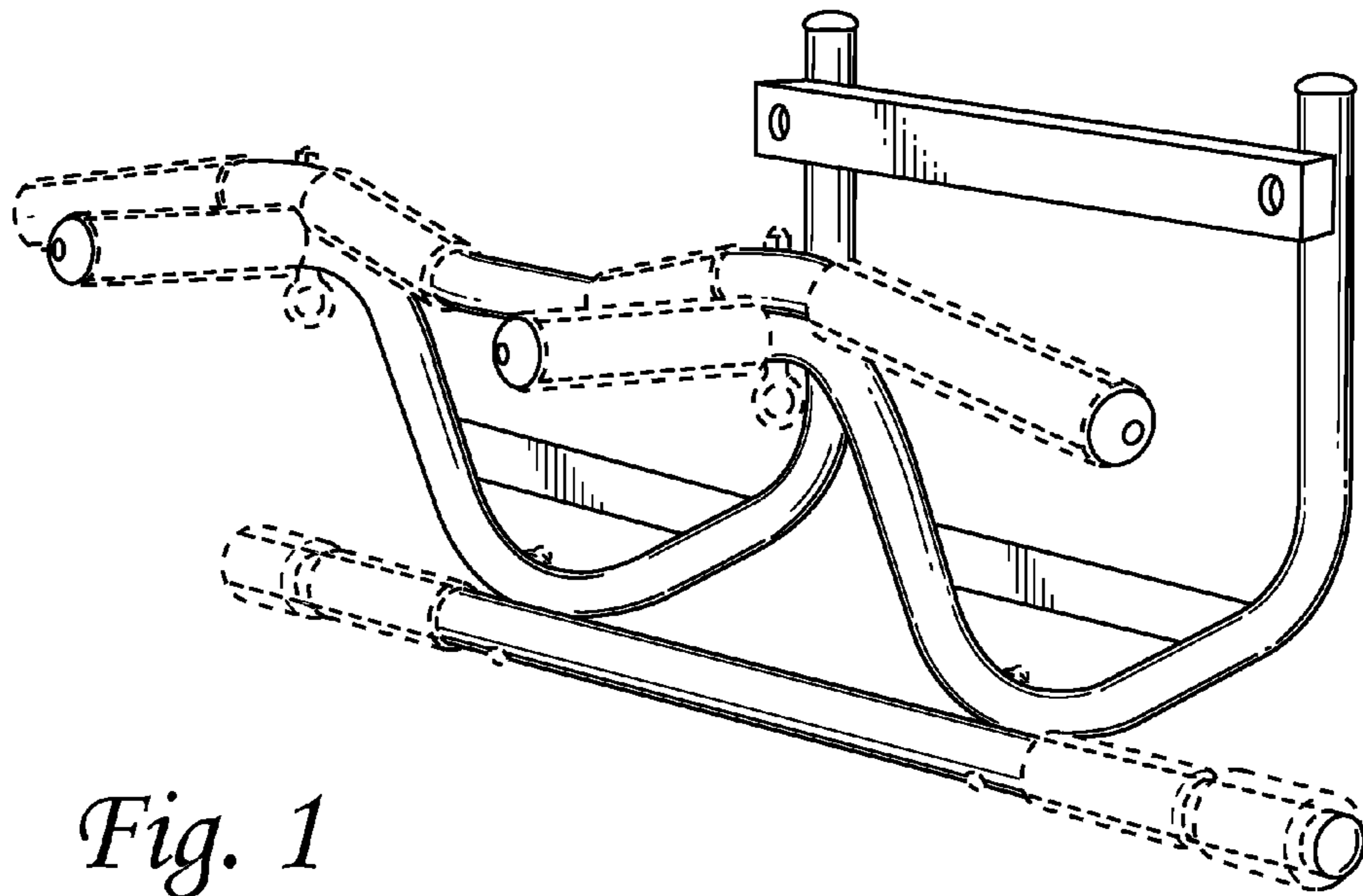


Fig. 1

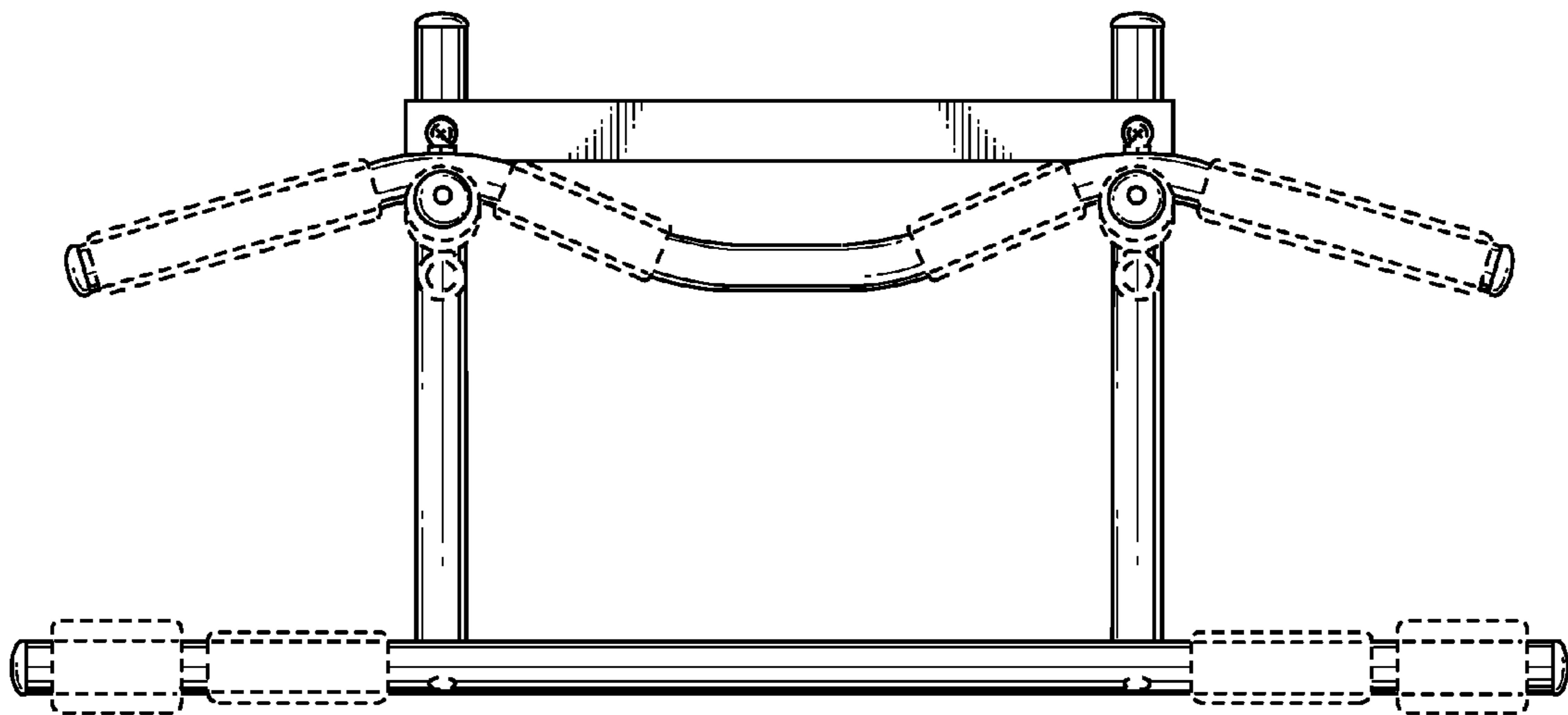


Fig. 2

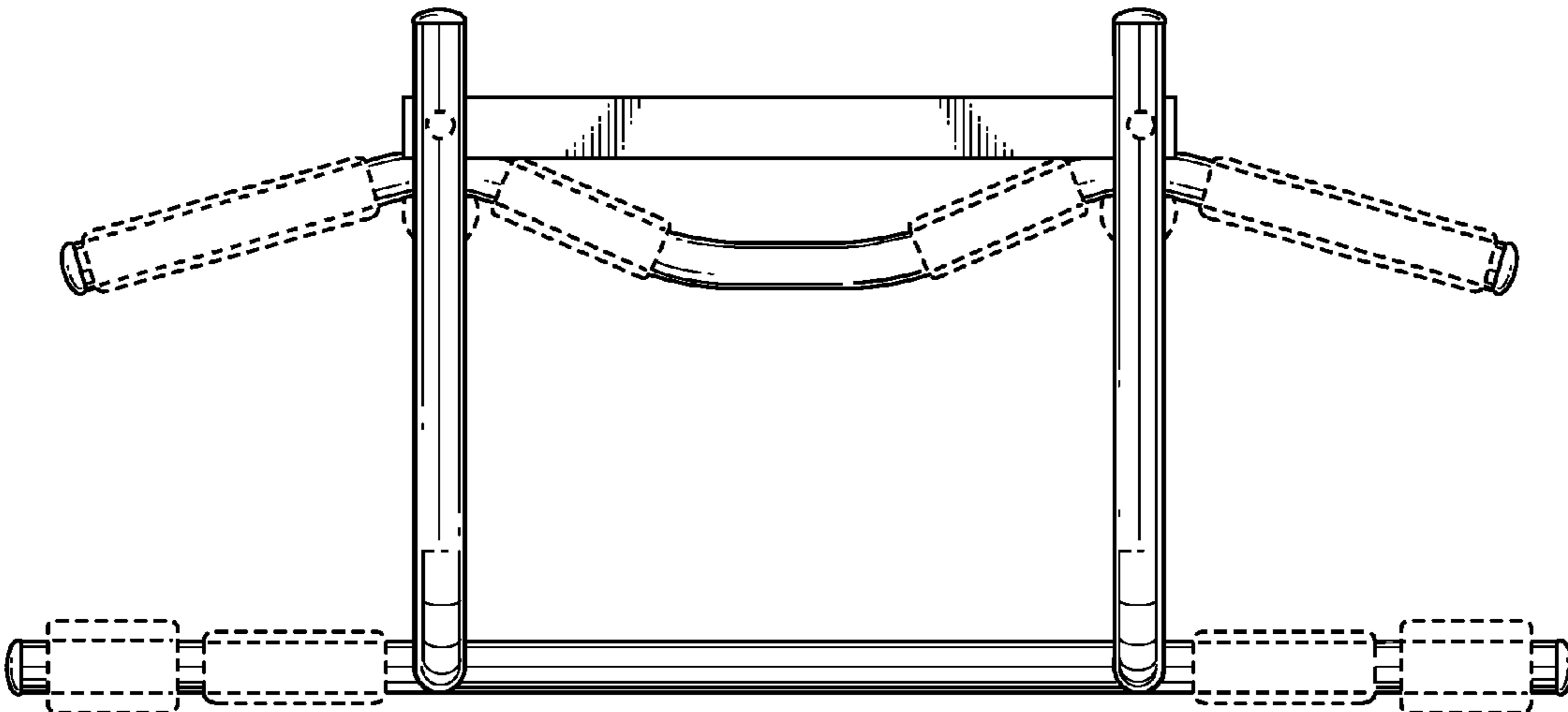


Fig. 3

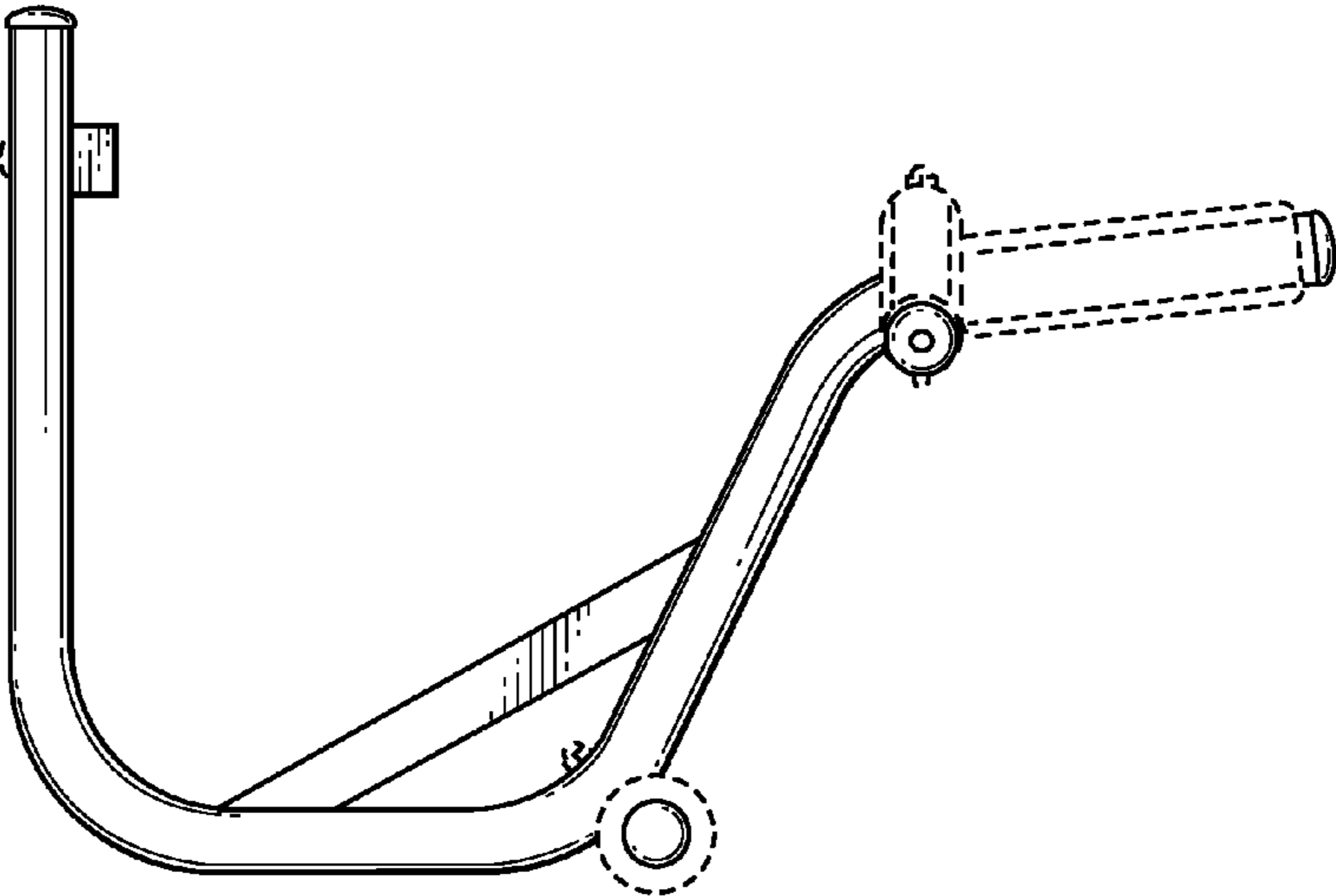


Fig. 4

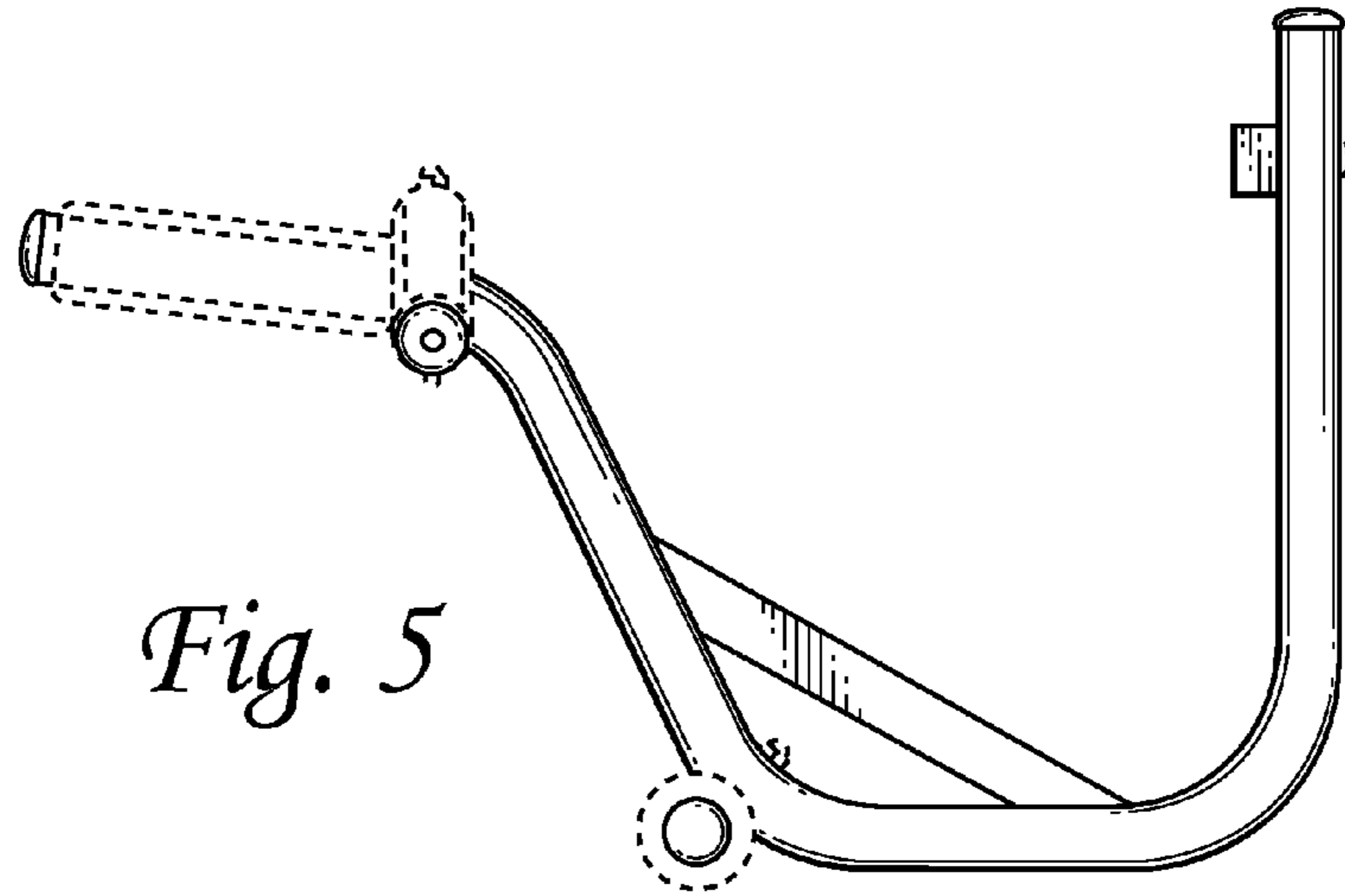


Fig. 5

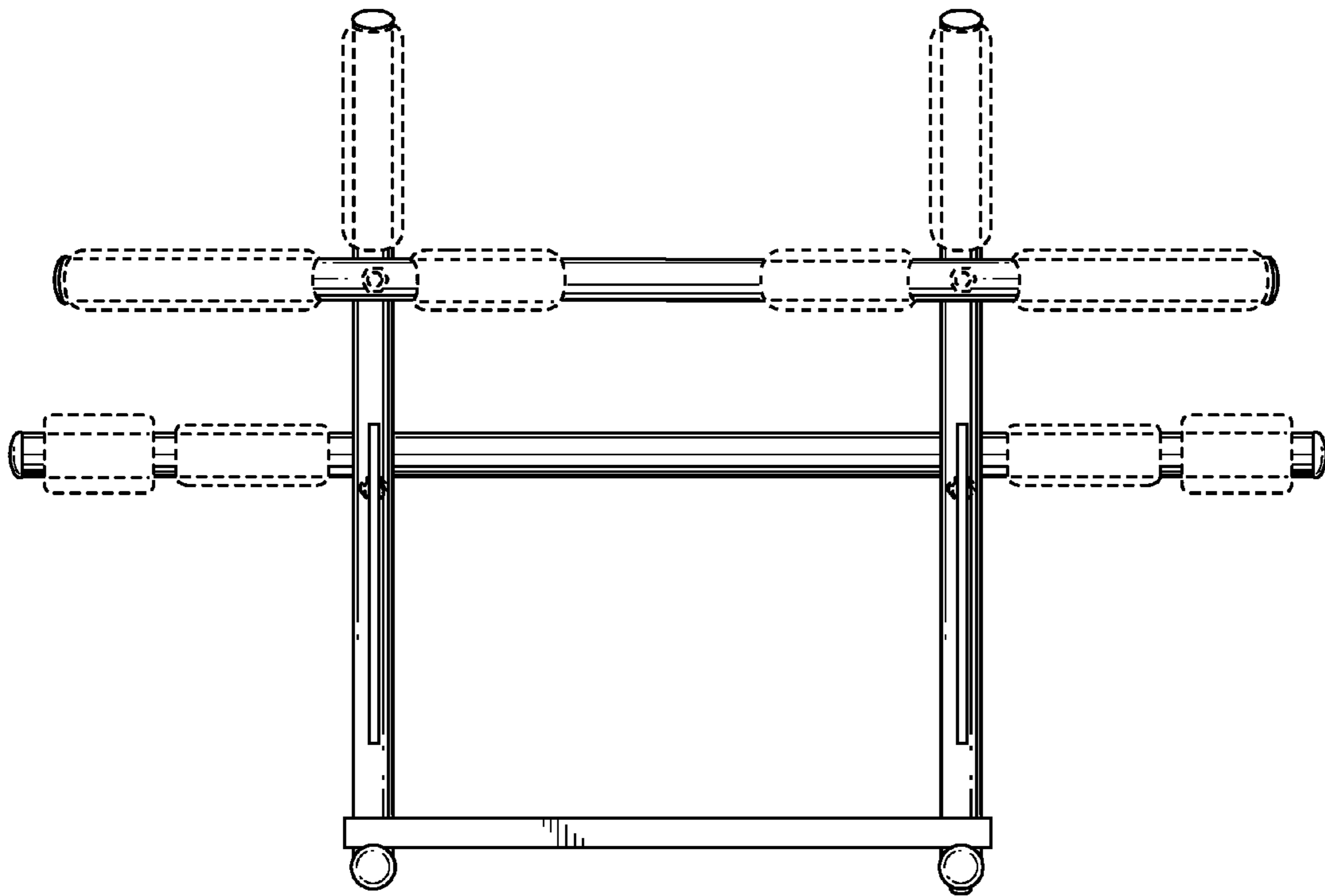


Fig. 6

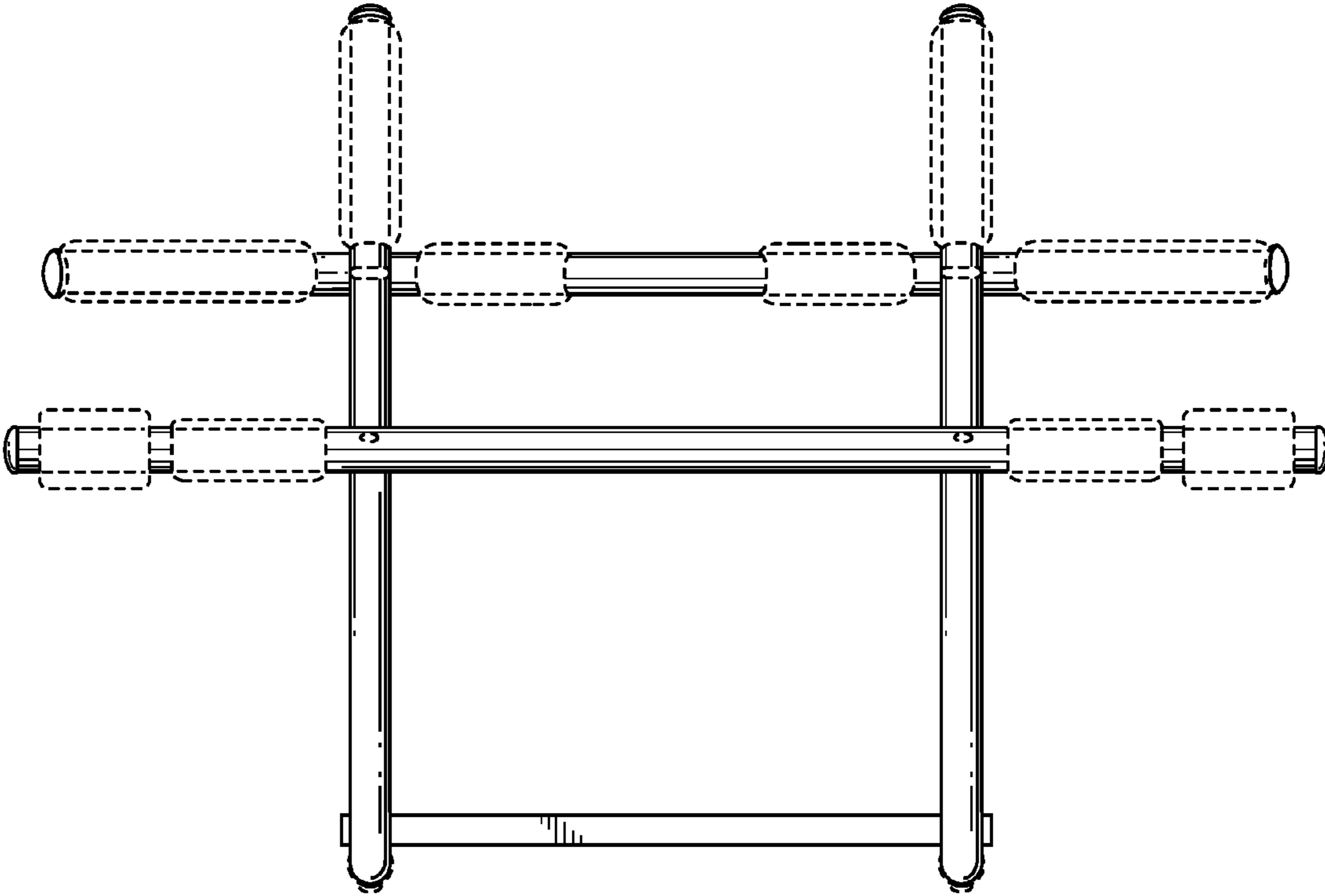


Fig. 7