



US00D633154S

(12) **United States Design Patent**  
**Thulin**

(10) **Patent No.:** **US D633,154 S**

(45) **Date of Patent:** **\*\* Feb. 22, 2011**

(54) **LEG EXTENSION**

D513,292 S \* 12/2005 Panatta ..... D21/676  
7,563,209 B2 \* 7/2009 Webber et al. .... 482/94

(76) Inventor: **Mats Thulin**, Gosvagen 11a, Lidingo  
(SE) SE-181 30

**FOREIGN PATENT DOCUMENTS**

EM 001102800 3/2009

(\*\*) Term: **14 Years**

\* cited by examiner

(21) Appl. No.: **29/357,320**

*Primary Examiner*—Philip S Hyder  
*Assistant Examiner*—Susan E Krakower

(22) Filed: **Mar. 10, 2010**

(74) *Attorney, Agent, or Firm*—Young & Thompson

(51) **LOC (9) Cl.** ..... **21-02**

(57) **CLAIM**

(52) **U.S. Cl.** ..... **D21/676**

(58) **Field of Classification Search** ..... D21/662,  
D21/673–676, 686, 690–691; 482/96–100,  
482/133–134, 137–138, 140–142, 148  
See application file for complete search history.

The ornamental design for a leg extension, as shown and described.

**DESCRIPTION**

(56) **References Cited**

FIG. 1 is a front, right side and top perspective view of a leg extension showing my new design;

**U.S. PATENT DOCUMENTS**

FIG. 2 is a front elevational view thereof;

4,493,485	A *	1/1985	Jones	.....	482/8
5,356,360	A *	10/1994	Johns	.....	482/99
5,470,297	A *	11/1995	Park	.....	482/127
5,667,465	A *	9/1997	McCollum et al.	.....	482/100
5,776,040	A *	7/1998	Webb et al.	.....	482/98
D425,153	S *	5/2000	Grider	.....	D21/690
6,074,328	A *	6/2000	Johnson	.....	482/97
D439,940	S *	4/2001	Batca et al.	.....	D21/676
6,361,482	B1 *	3/2002	Batca et al.	.....	482/100
6,443,878	B1 *	9/2002	Webber	.....	482/130
6,558,303	B1 *	5/2003	Ellis	.....	482/138

FIG. 3 is a rear elevational view thereof;

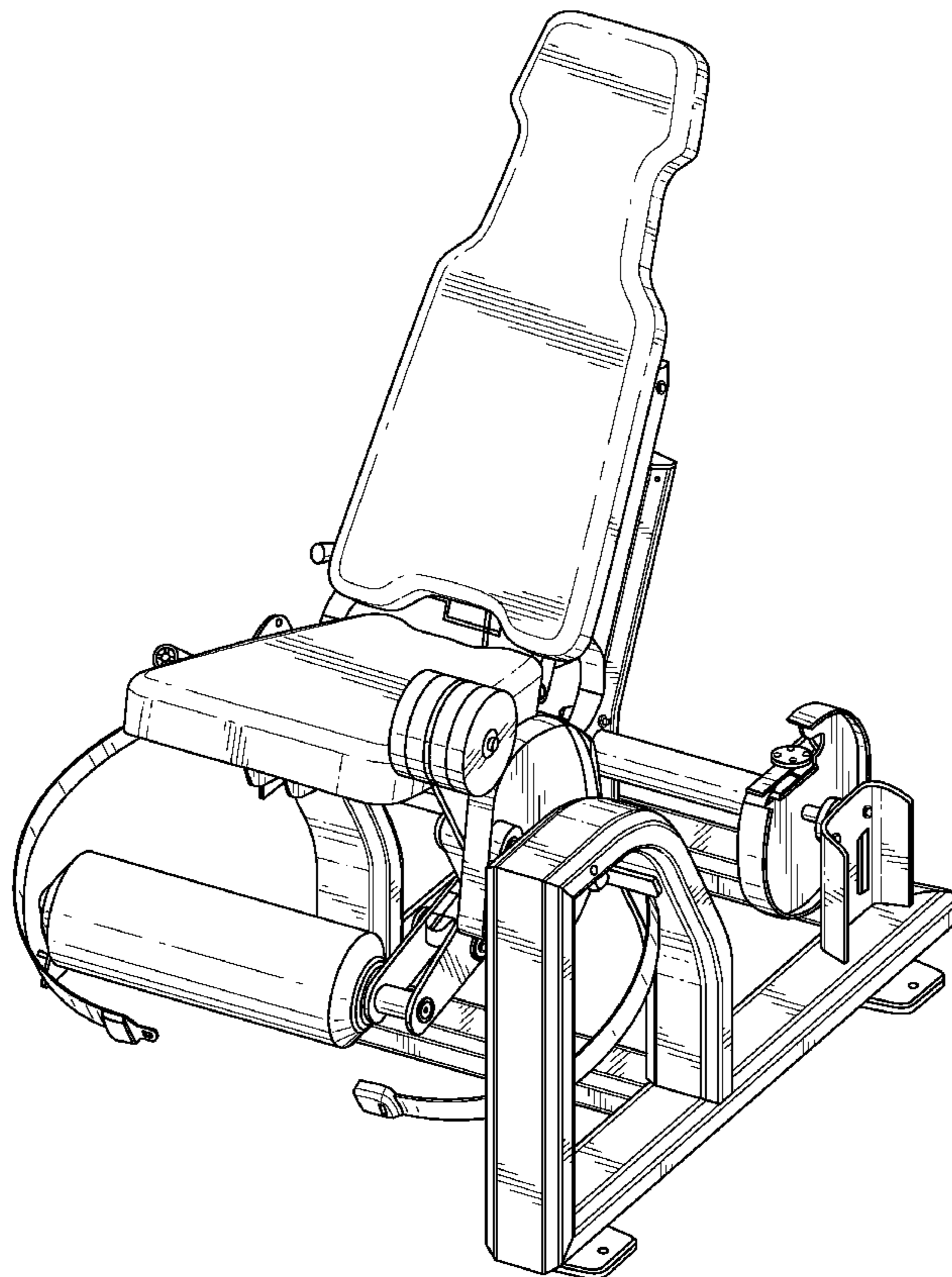
FIG. 4 is a left side elevational view thereof; and,

FIG. 5 is a right side elevational view thereof.

The appearance of the leg extension from the underside is not part of the claimed design.

The broken lines illustrate environmental portions of the leg extension and form no part of the claimed design.

**1 Claim, 5 Drawing Sheets**



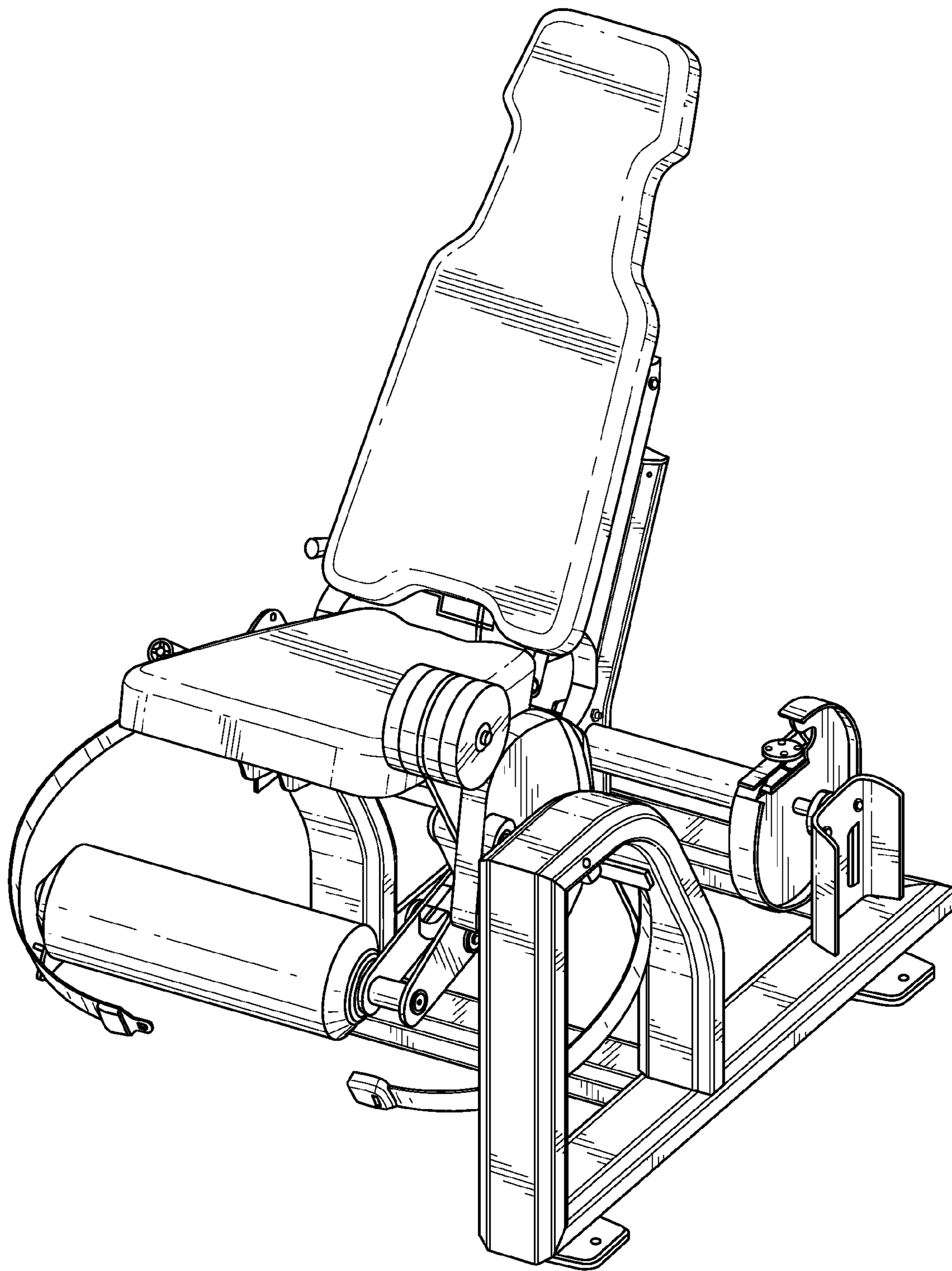
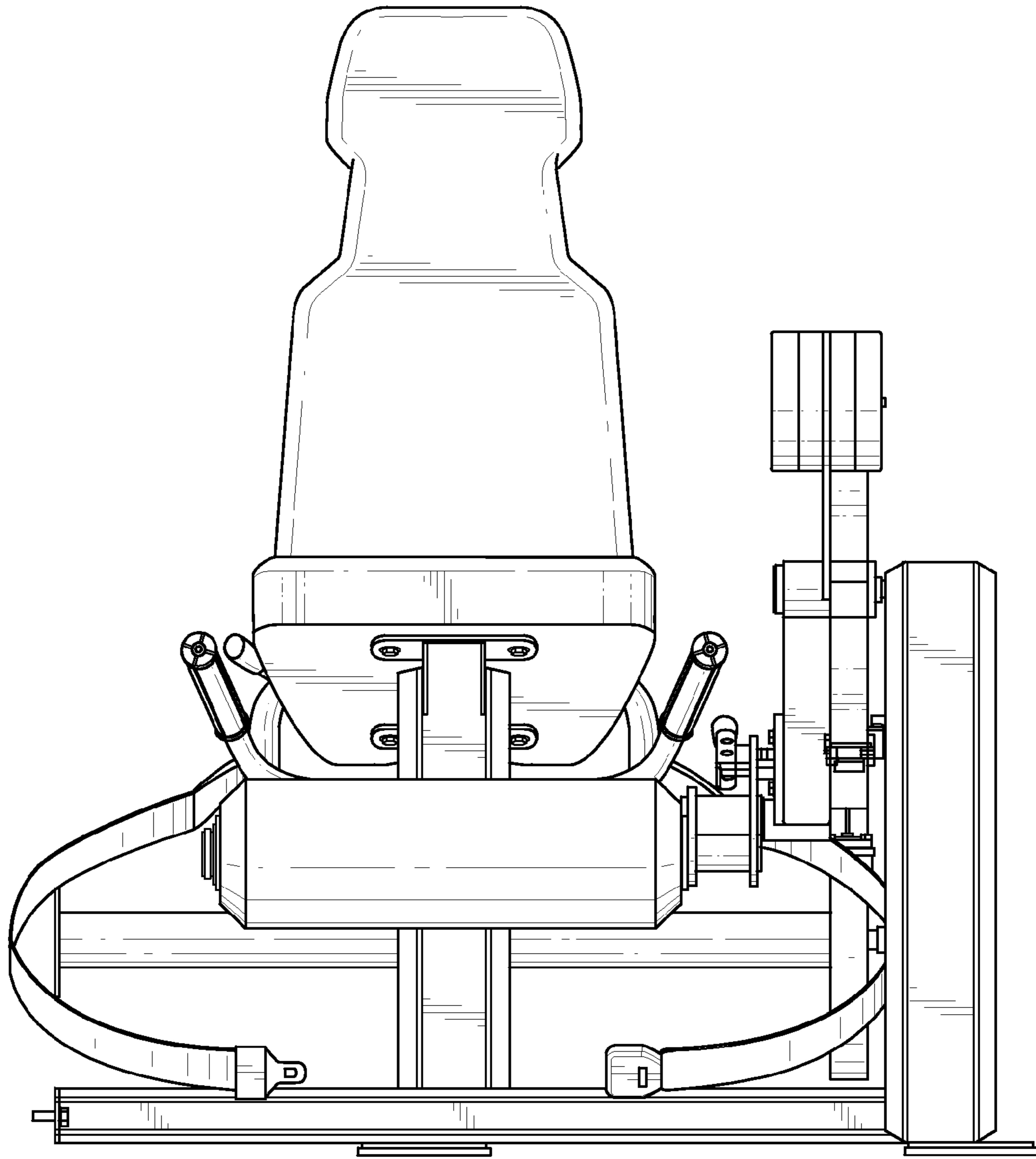
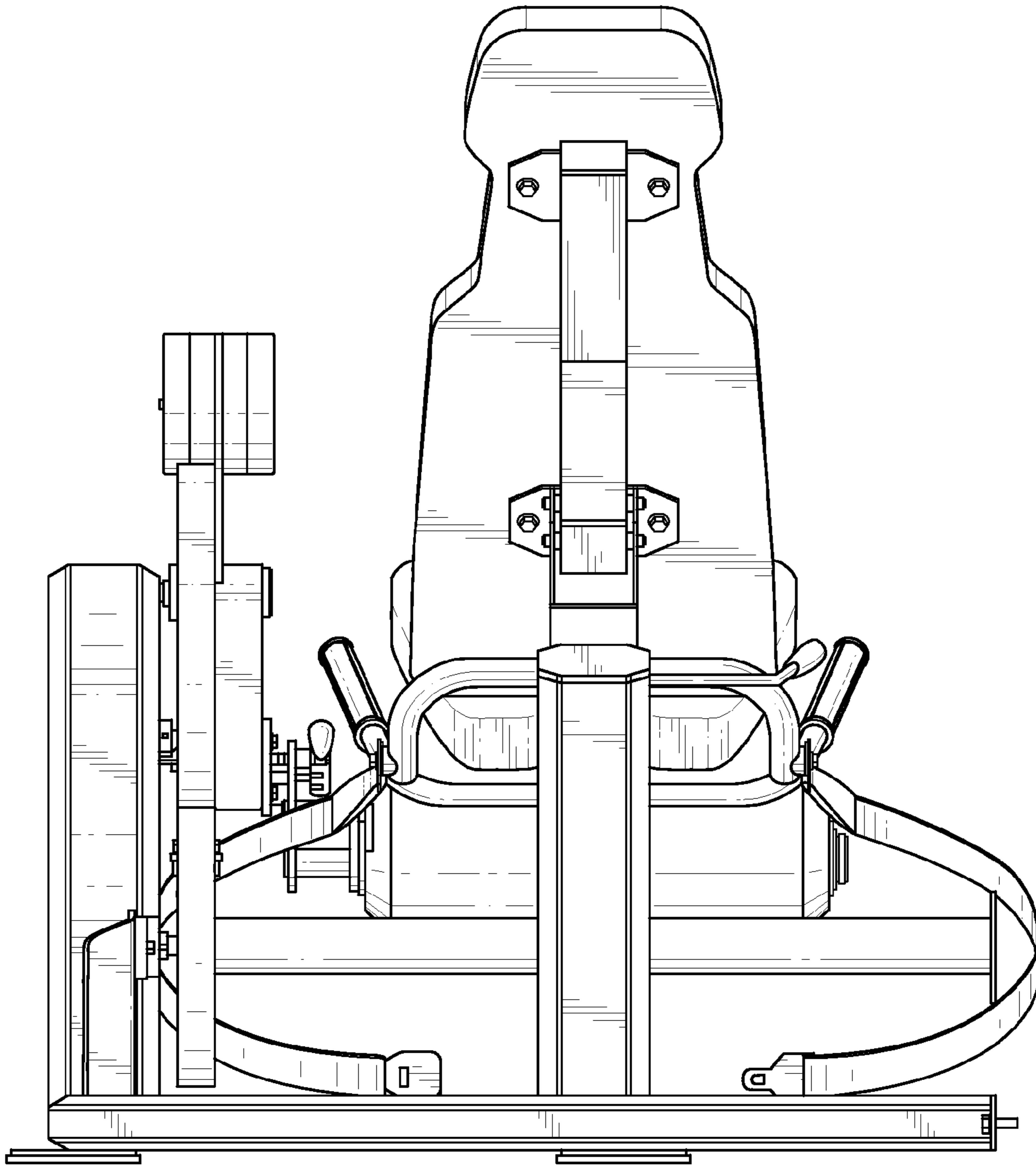


FIG. 1



*FIG. 2*



*FIG. 3*

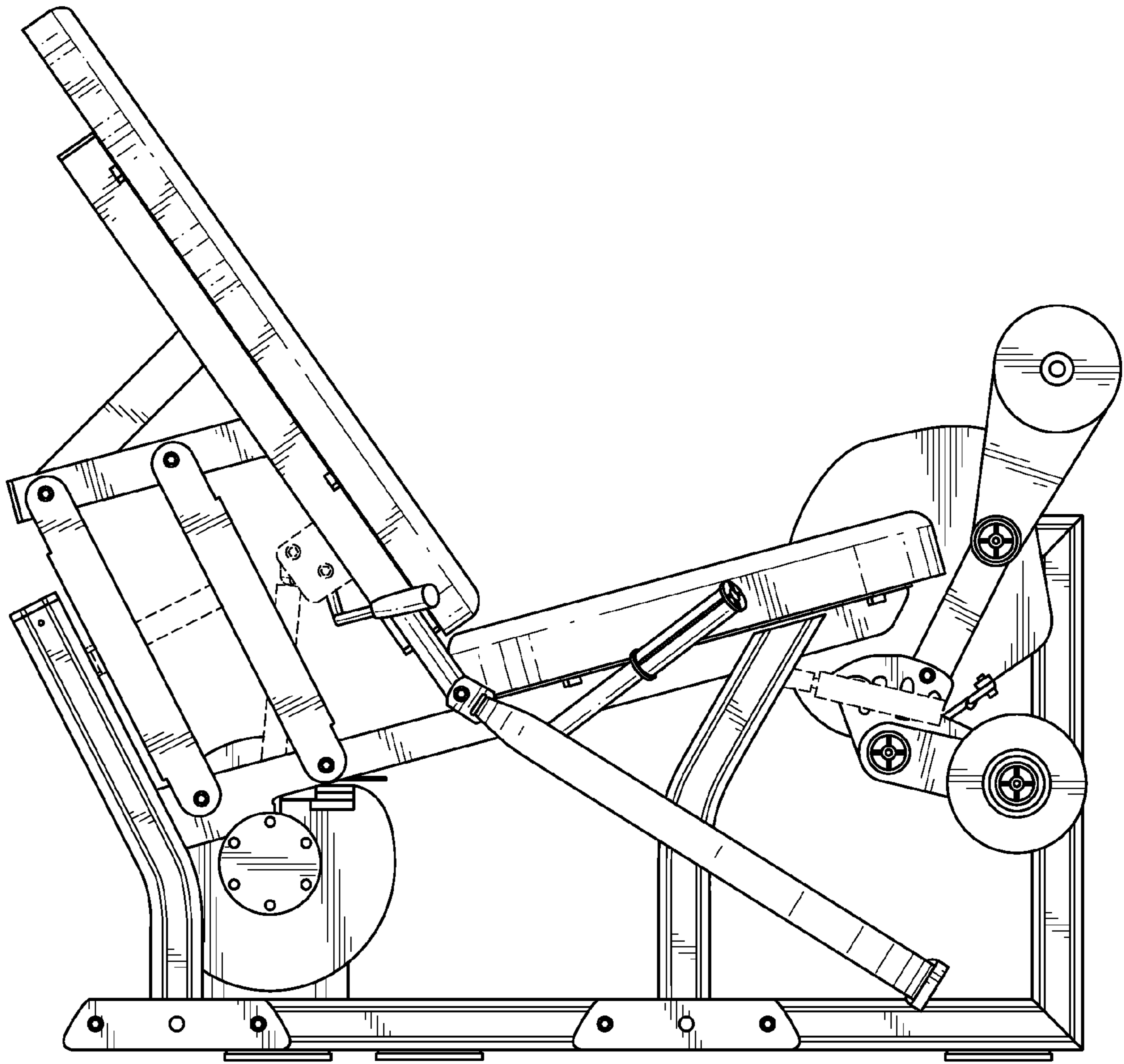


FIG. 4

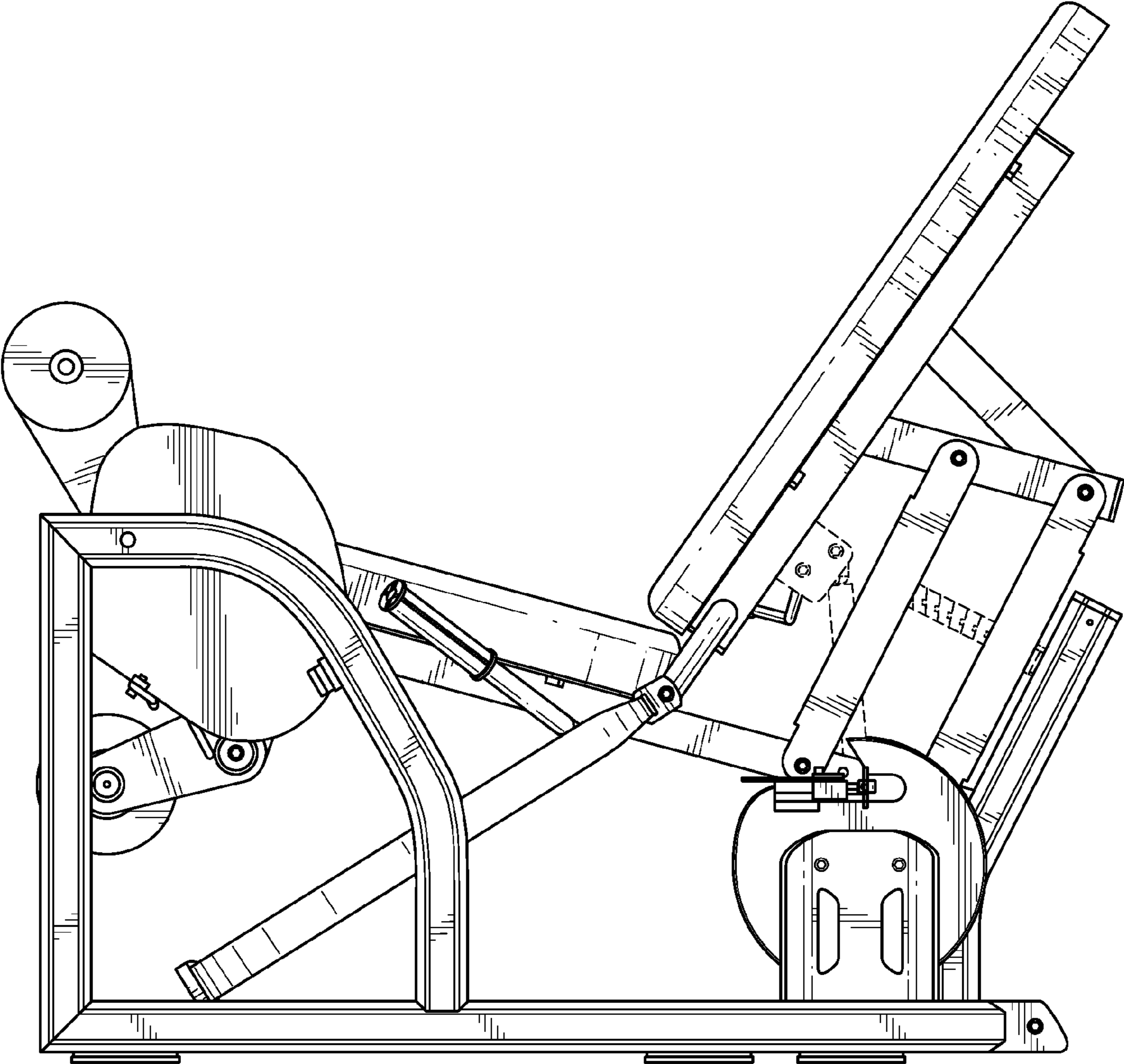


FIG. 5