

US00D633149S

(12) **United States Design Patent**
Parshad

(10) **Patent No.:** **US D633,149 S**

(45) **Date of Patent:** **** Feb. 22, 2011**

(54) **BUSINESS CARD HOLDER**

(76) Inventor: **David Parshad**, 10 Brogan Court,
Markham, Ontario (CA) L3P 6G1

(**) Term: **14 Years**

(21) Appl. No.: **29/347,166**

(22) Filed: **Oct. 14, 2009**

(51) **LOC (9) Cl.** **19-02**

(52) **U.S. Cl.** **D19/91**

(58) **Field of Classification Search** D6/310,
D6/419, 420, 449, 512; D19/75-83, 86-92,
D19/95-100; 206/214, 425, 555; D21/392;
248/441.1

See application file for complete search history.

(56) **References Cited**

U.S. PATENT DOCUMENTS

2,304,795	A *	12/1942	Bricker	248/453
2,428,519	A *	10/1947	Gustafson	248/454
4,073,460	A *	2/1978	Dale	248/441.1
D311,035	S *	10/1990	Ahola	D21/392
D319,666	S	9/1991	Kheng		
D372,499	S *	8/1996	Carlson et al.	D19/65
D387,384	S	12/1997	Meyer		
5,727,696	A	3/1998	Valiulis		
D418,293	S	1/2000	Palmer		
6,283,432	B1 *	9/2001	Hoose, Jr.	248/441.1

D455,755	S *	4/2002	Levine et al.	D14/447
D486,522	S	2/2004	Chen		
D500,252	S *	12/2004	Hsu	D10/18
D501,513	S *	2/2005	Linyear et al.	D19/91
D504,701	S	5/2005	Chen		
D508,532	S	8/2005	Hertz		
D518,109	S *	3/2006	Opolka	D20/42
D554,188	S	10/2007	Bonaventura		
D566,181	S *	4/2008	Gerules	D19/52
2007/0113440	A1 *	5/2007	Asvadi	40/544

* cited by examiner

Primary Examiner—Elizabeth A Albert

(57) **CLAIM**

I claim the ornamental design for a business card holder, as shown.

DESCRIPTION

FIG. 1 is a perspective view of a business card holder showing my new design;

FIG. 2 is a left side elevation view thereof;

FIG. 3 is a right side elevation view thereof;

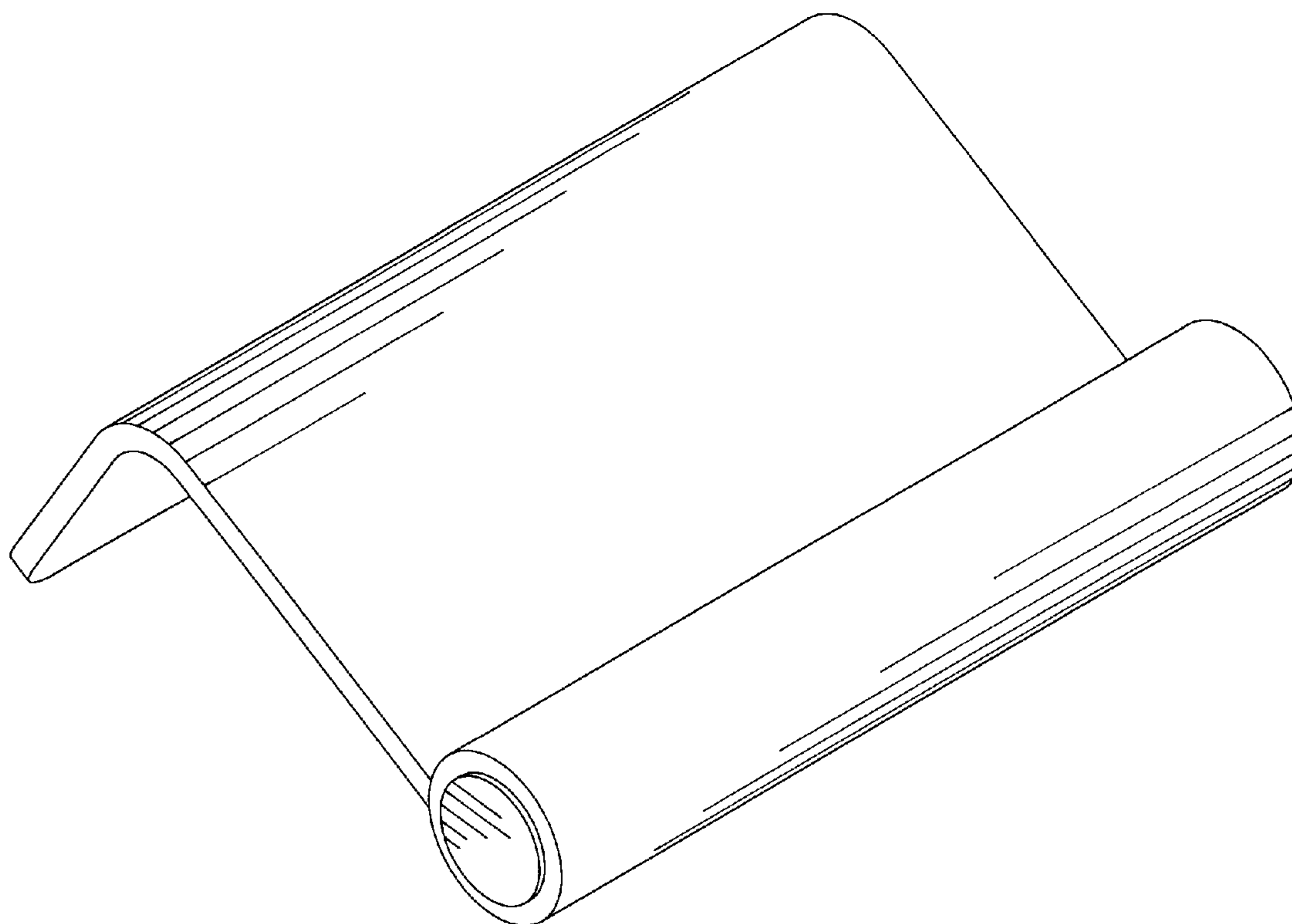
FIG. 4 is a front elevation view thereof

FIG. 5 is a rear elevation view thereof;

FIG. 6 is a top elevation view thereof; and,

FIG. 7 is a bottom view thereof.

1 Claim, 7 Drawing Sheets



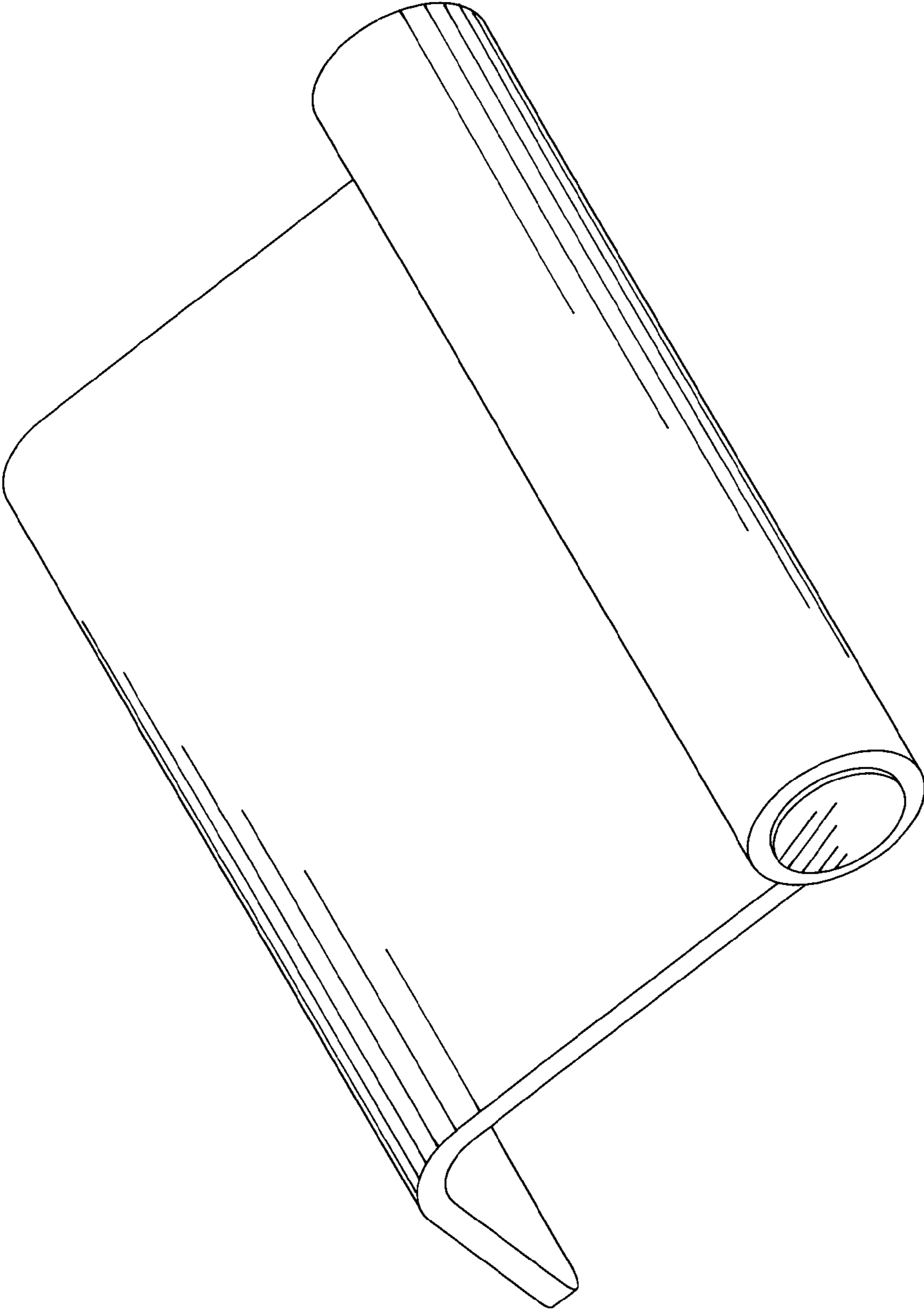


FIG. 1

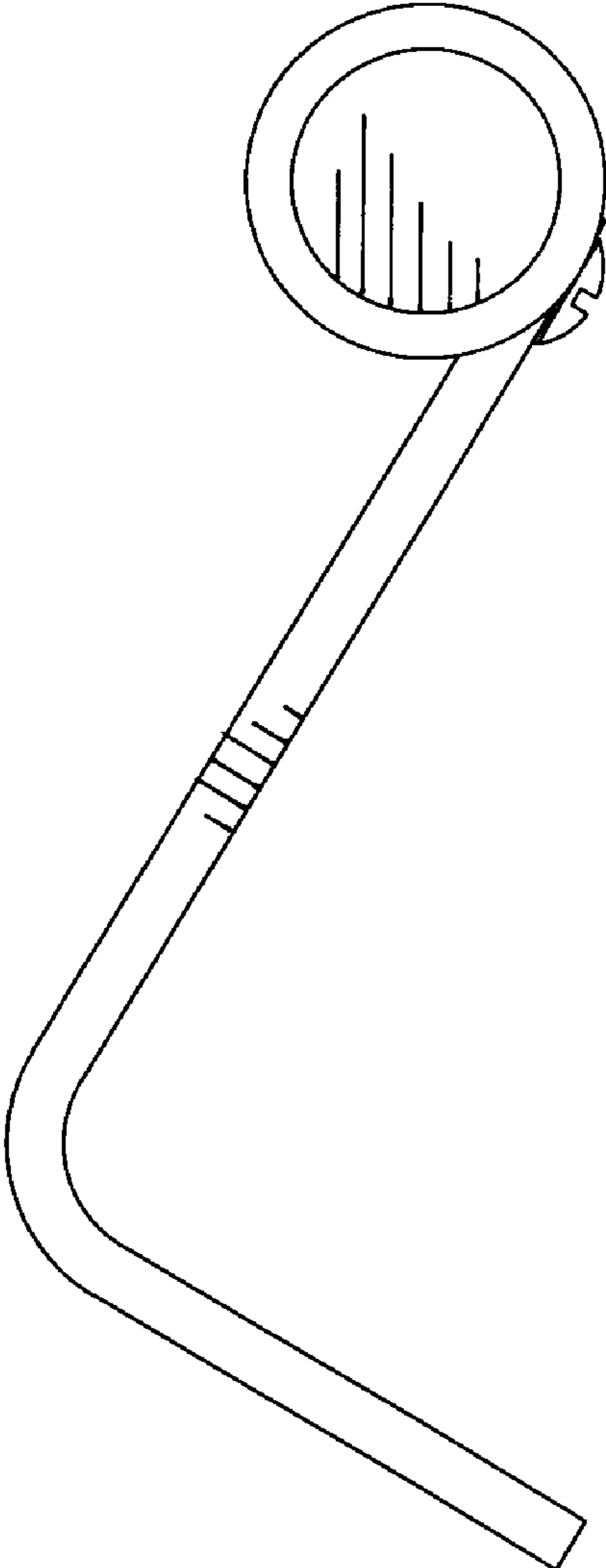


FIG. 2

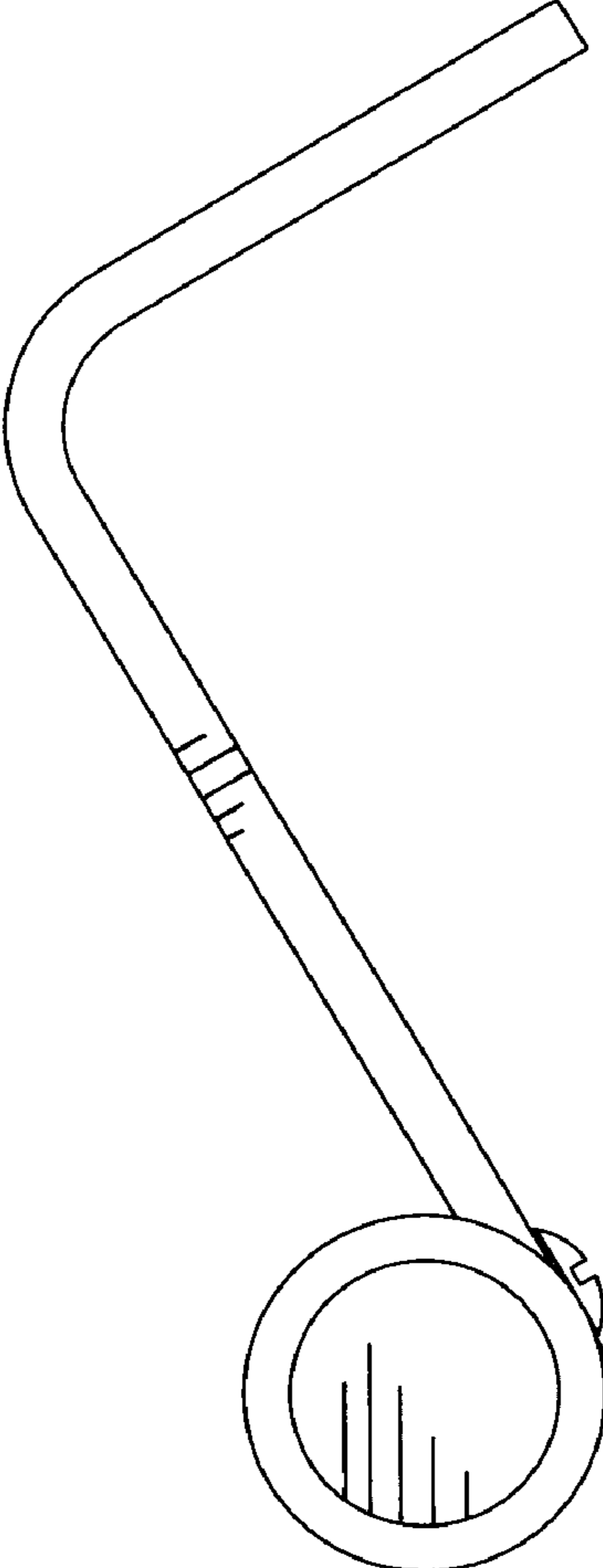


FIG. 3

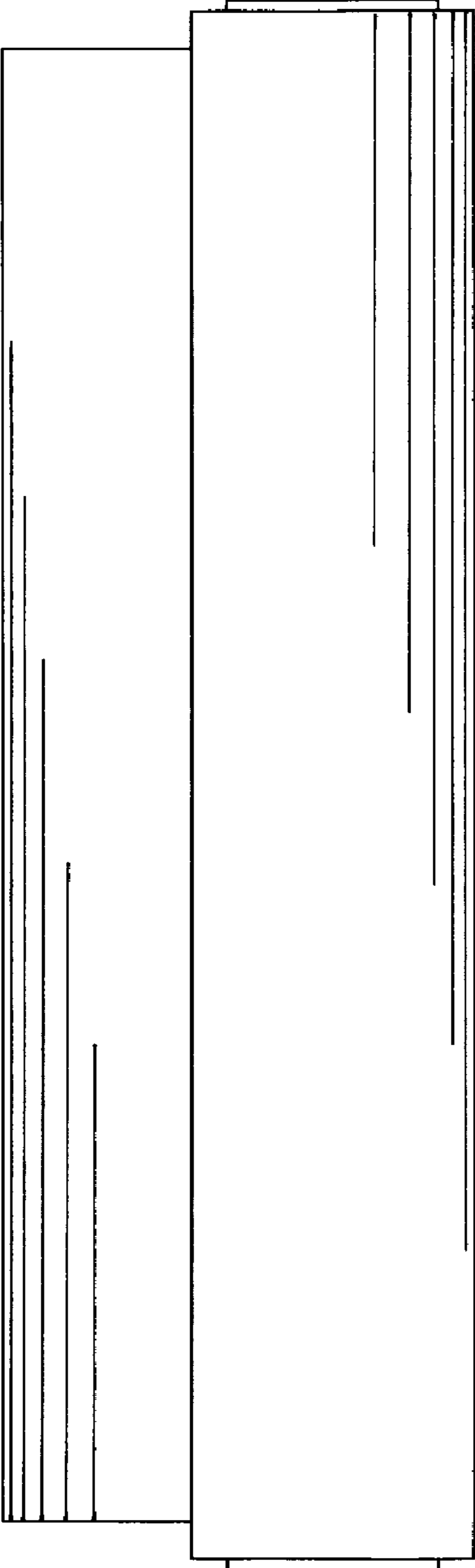


FIG. 4

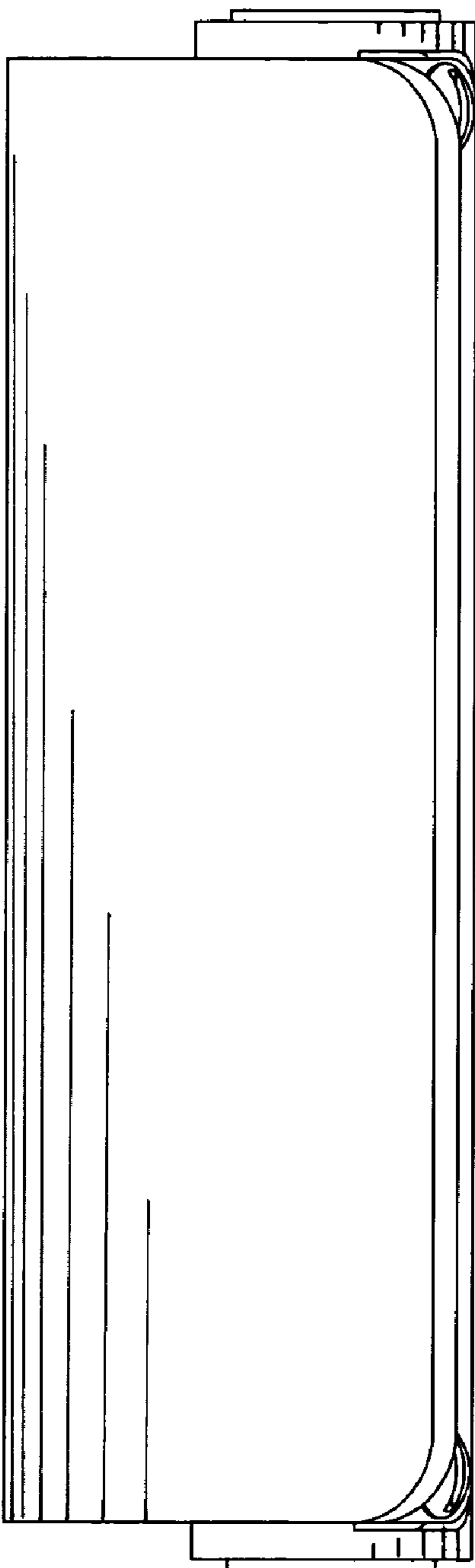


FIG. 5

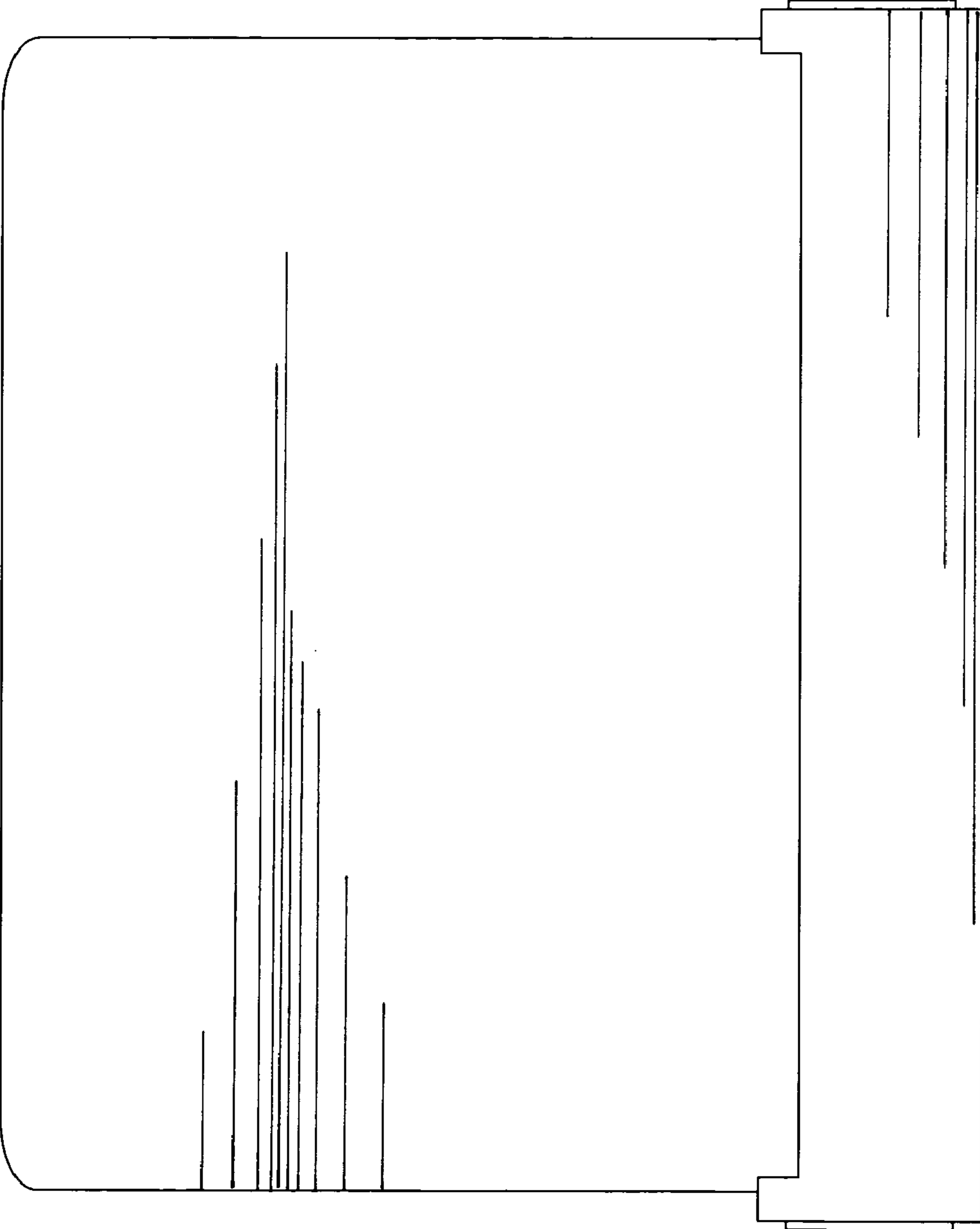


FIG. 6

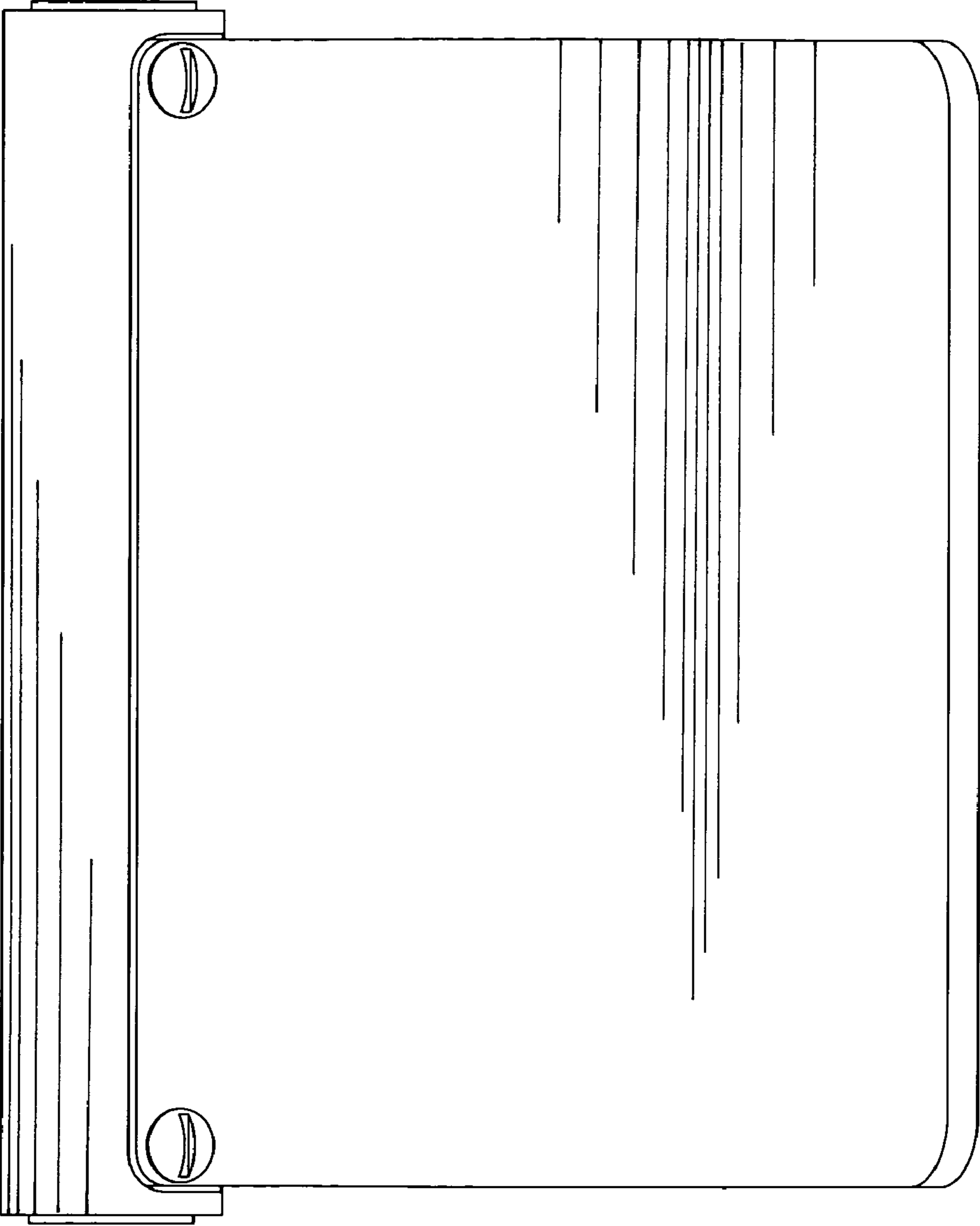


FIG. 7