



US00D633147S

(12) **United States Design Patent**
Parshad

(10) **Patent No.:** **US D633,147 S**

(45) **Date of Patent:** **** Feb. 22, 2011**

(54) **PAD HOLDER**

(76) Inventor: **David Parshad**, 10 Brogan Court,
Markham, Ontario (CA) L3P 6G1

(**) Term: **14 Years**

(21) Appl. No.: **29/347,167**

(22) Filed: **Oct. 14, 2009**

(51) **LOC (9) Cl.** **19-02**

(52) **U.S. Cl.** **D19/86**

(58) **Field of Classification Search** D6/449,
D6/512; D19/75-83, 86-92, 95-100; 206/214,
206/425, 555; D3/304, 314; 211/13.1, 50,
211/126.1-126.7, 126.12, 126.13
See application file for complete search history.

(56) **References Cited**

U.S. PATENT DOCUMENTS

2,749,636	A *	6/1956	Viglietta	40/790
D201,727	S *	7/1965	Bunn et al.	D19/95
3,408,757	A *	11/1968	McQuiston	40/518
D268,242	S *	3/1983	Fitchett	D6/303
D290,973	S *	7/1987	O'Neil	D19/92
D307,036	S	4/1990	Evenson	
D324,546	S	3/1992	Casolin	
D327,497	S	6/1992	Szablak	
D346,622	S *	5/1994	Miller	D19/78
D358,846	S	5/1995	Kirchhoff	
D363,317	S *	10/1995	Sternberg et al.	D21/334
D372,499	S *	8/1996	Carlson et al.	D19/65
D376,913	S *	12/1996	Borden	D6/300

D431,115	S *	9/2000	Napracone	D6/310
D452,709	S	1/2002	Najmi	
6,431,548	B1 *	8/2002	Voigt et al.	273/284
6,474,009	B2 *	11/2002	Hahn	40/658
D483,575	S *	12/2003	Chan	D6/310
D483,811	S *	12/2003	White et al.	D21/392
D486,865	S	2/2004	Ivey	
D492,966	S *	7/2004	Serrault et al.	D19/92
D496,403	S	9/2004	Takseraas	
D518,109	S *	3/2006	Opolka	D20/42
D520,060	S *	5/2006	Kato	D19/52
7,296,373	B1 *	11/2007	Hahn	40/617
D564,030	S	3/2008	Trombley	
D603,892	S *	11/2009	Davis	D17/99

* cited by examiner

Primary Examiner—Elizabeth A Albert

(57) **CLAIM**

I claim the ornamental design for a pad holder, as shown.

DESCRIPTION

FIG. 1 is a perspective view of a pad holder showing my new design;

FIG. 2 is a left side elevation view thereof;

FIG. 3 is a right side elevation view thereof;

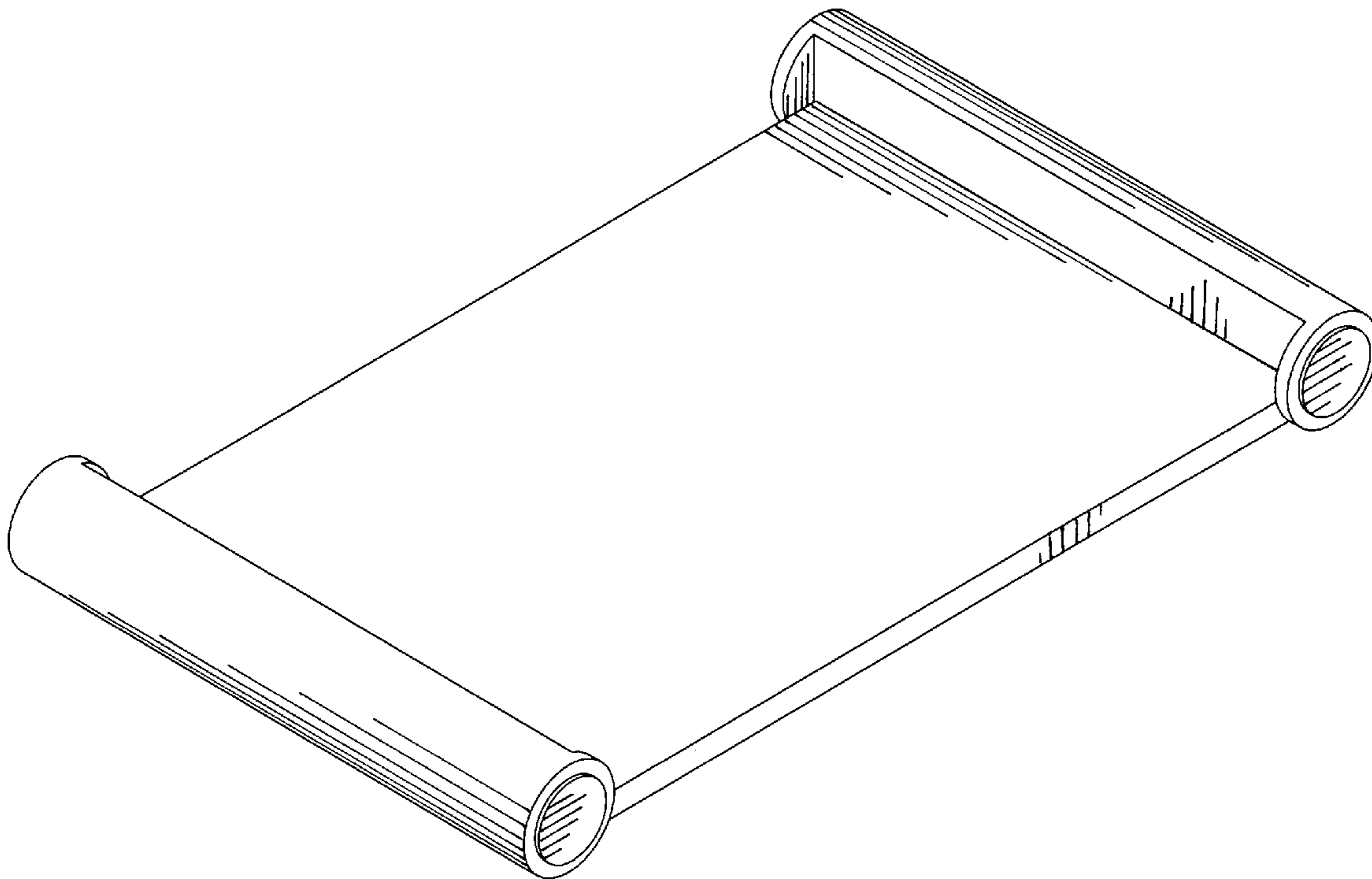
FIG. 4 is a front elevation view thereof

FIG. 5 is a rear elevation view thereof;

FIG. 6 is a top elevation view thereof; and,

FIG. 7 is a bottom view thereof.

1 Claim, 7 Drawing Sheets



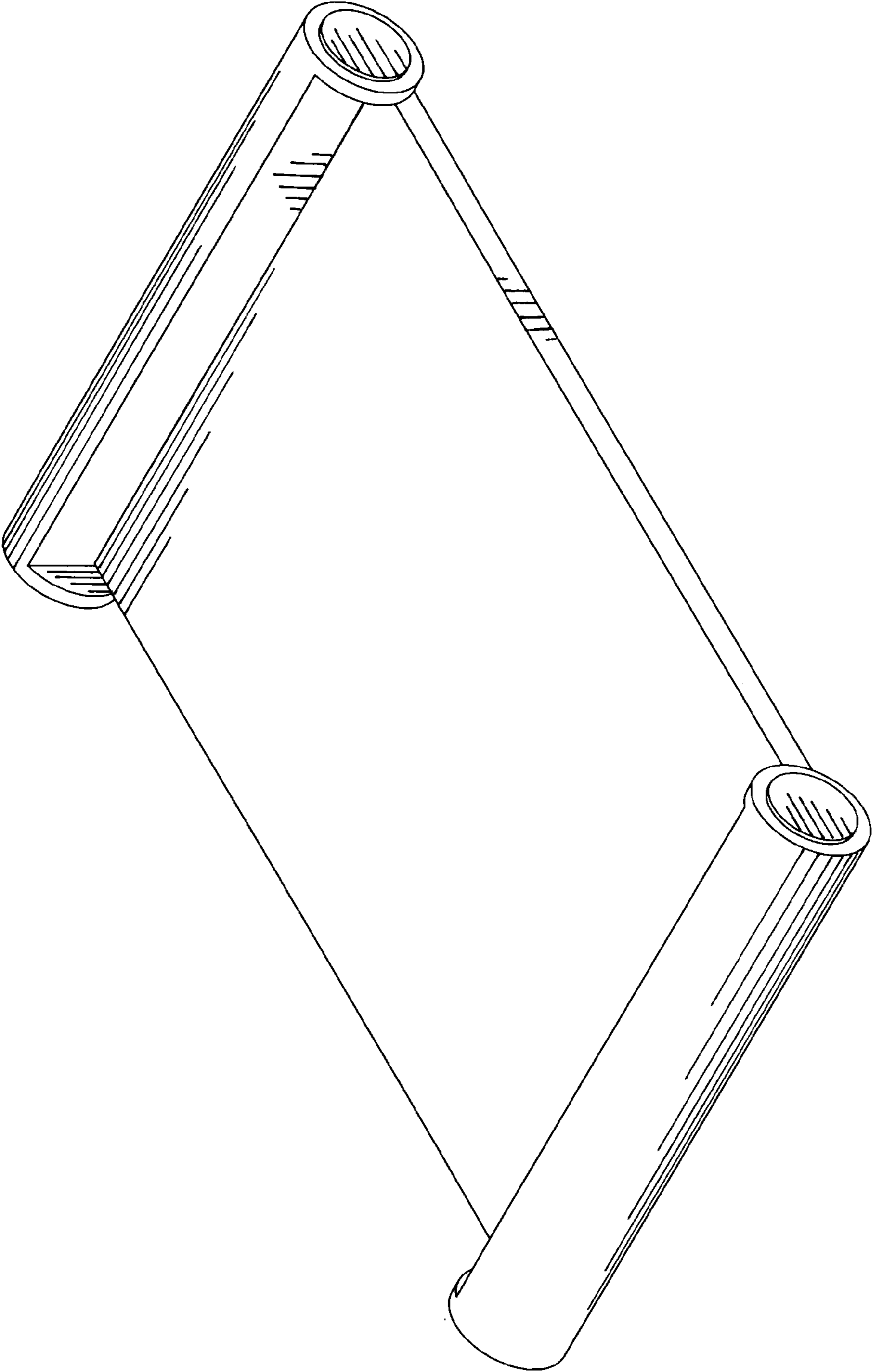


FIG. 1

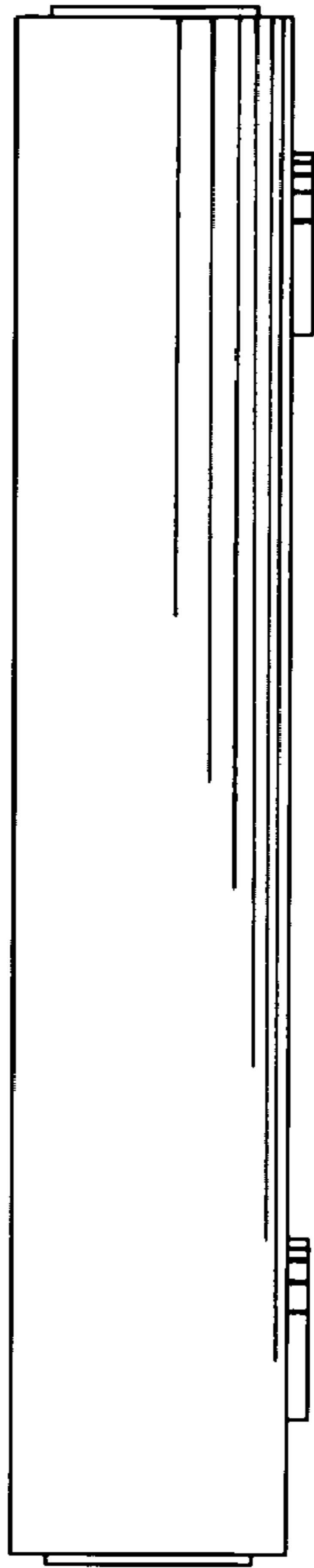


FIG. 2

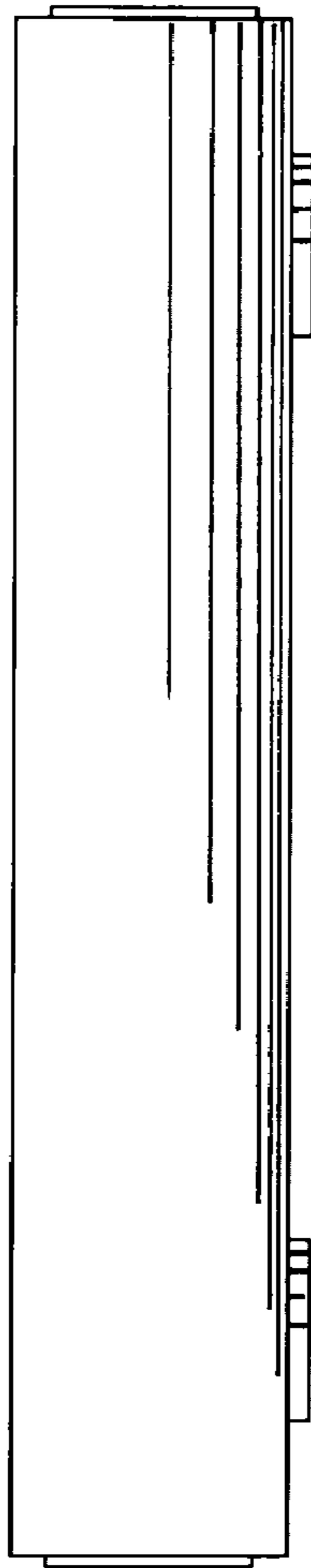


FIG. 3

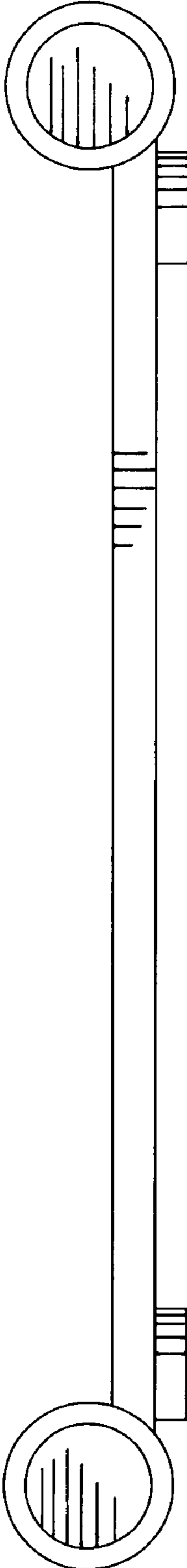


FIG. 4

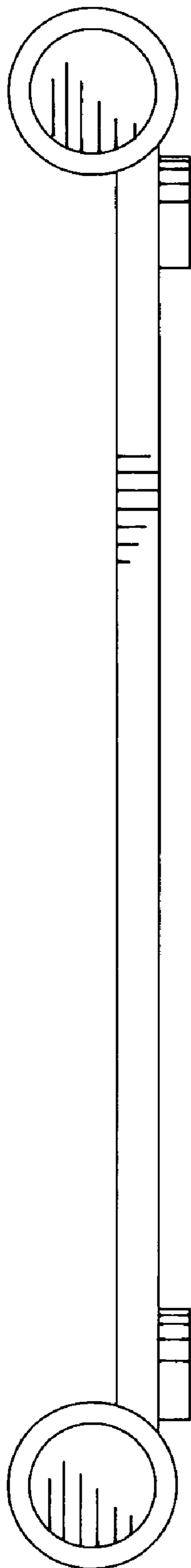


FIG. 5

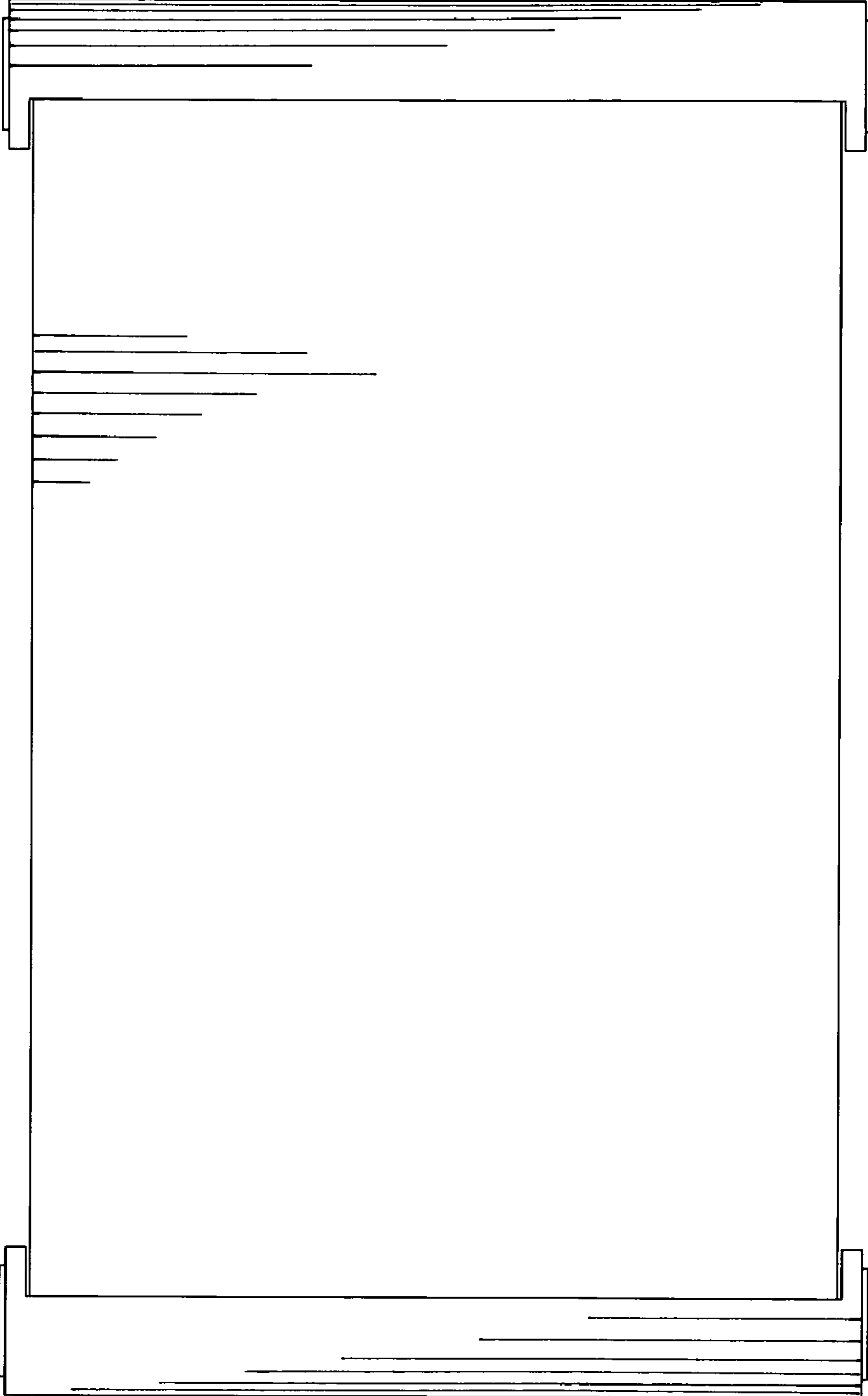


FIG. 6

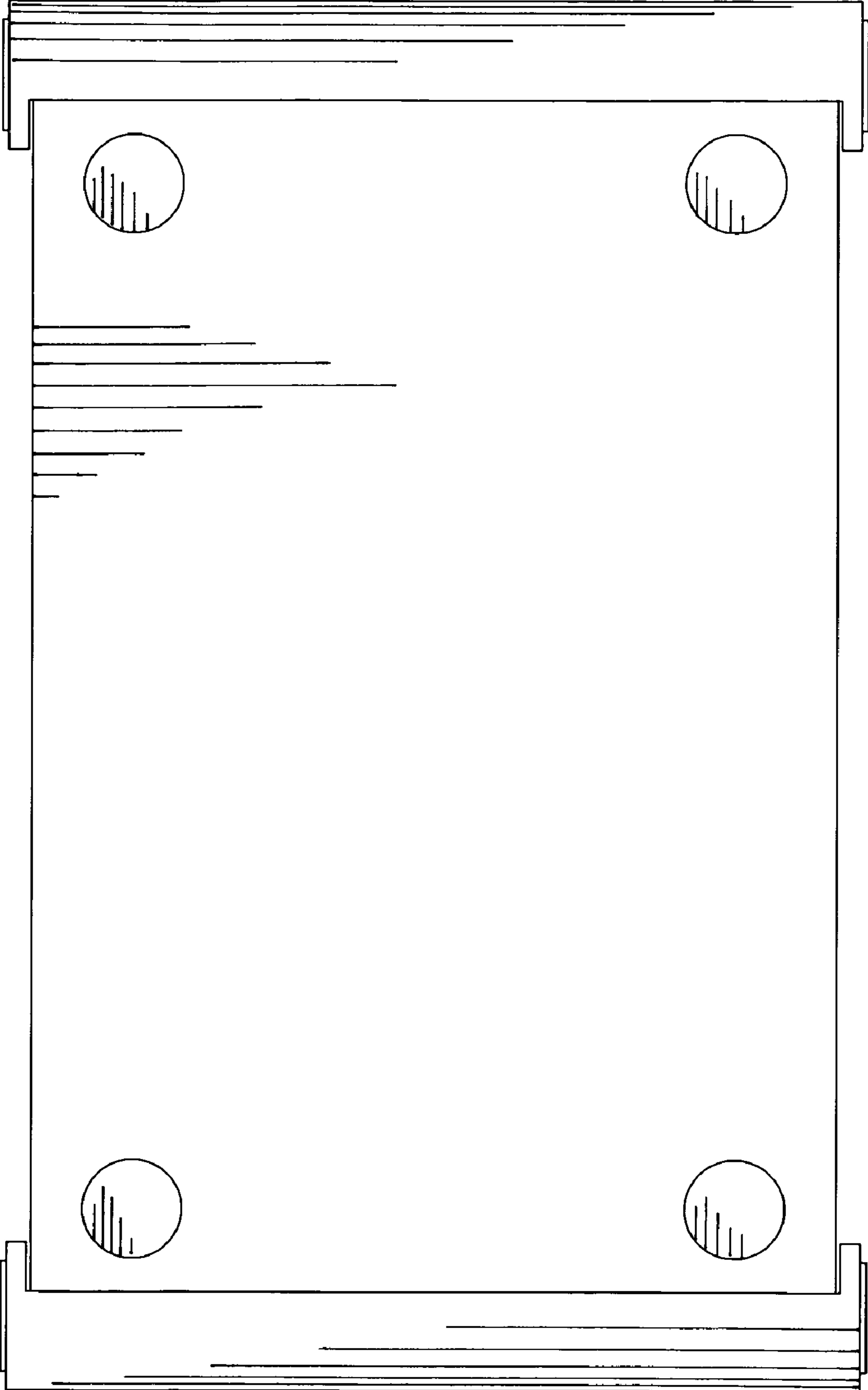


FIG. 7