

US00D633144S

(12) **United States Design Patent**
Logan

(10) **Patent No.:** **US D633,144 S**
(45) **Date of Patent:** **** Feb. 22, 2011**

(54) **MODEL OF MOLECULE**

(75) Inventor: **Stephan J. Logan**, Waterloo, CA (US)

(73) Assignee: **Pinetree Instruments Inc.**, Waterloo, Ontario

(**) Term: **14 Years**

(21) Appl. No.: **29/375,537**

(22) Filed: **Sep. 23, 2010**

Related U.S. Application Data

(62) Division of application No. 29/357,916, filed on Mar. 19, 2010, now Pat. No. Des. 627,825.

(51) **LOC (9) Cl.** **19-07**

(52) **U.S. Cl.** **D19/62**

(58) **Field of Classification Search** D19/59-64;
434/278-279, 304, 93-96, 167, 260, 365,
434/429, 72, 295; D21/498, 337, 350, 475,
D21/596; 446/91

See application file for complete search history.

(56) **References Cited**

U.S. PATENT DOCUMENTS

2,974,425	A	3/1961	Dreiding	
3,091,870	A	6/1963	Sangster	
3,183,608	A	5/1965	Jierree	
3,406,972	A	10/1968	Wong	
3,445,940	A	5/1969	Dziulak	
3,594,924	A	7/1971	Baker	
3,841,001	A *	10/1974	Nicholson	434/278
3,903,616	A	9/1975	Gage	
3,967,388	A	7/1976	Verkade et al.	
4,099,339	A	7/1978	Snelson	
4,184,271	A	1/1980	Barnett, Jr.	
D258,597	S	3/1981	Barrett	
4,378,218	A	3/1983	Fletcher et al.	
4,461,619	A	7/1984	Hendry et al.	

D278,834	S	5/1985	Satoh	
4,629,431	A	12/1986	Sanders	
5,947,745	A *	9/1999	Tempelman	434/278
6,017,220	A	1/2000	Snelson	
6,036,497	A	3/2000	Langmuir	
6,343,937	B1	2/2002	Curtis	
D462,719	S	9/2002	Guilloton et al.	
6,652,285	B1	11/2003	Breivik	
D526,684	S	8/2006	Spiring	
7,322,873	B2 *	1/2008	Rosen et al.	446/91
7,465,169	B2	12/2008	Roth et al.	
D617,835	S	6/2010	Spiring et al.	
2003/0170601	A1	9/2003	Scheetz et al.	
2005/0227213	A1	10/2005	Roth et al.	

OTHER PUBLICATIONS

Gruhl, et al., "Basic Lesson Plan Water Kit", accessed as of Jun. 15, 2009.

* cited by examiner

Primary Examiner—T. Chase Nelson

Assistant Examiner—Mark Cavanna

(74) *Attorney, Agent, or Firm*—Bereskin and Parr LLP/S.E.N.C.R.L., S.R.L.

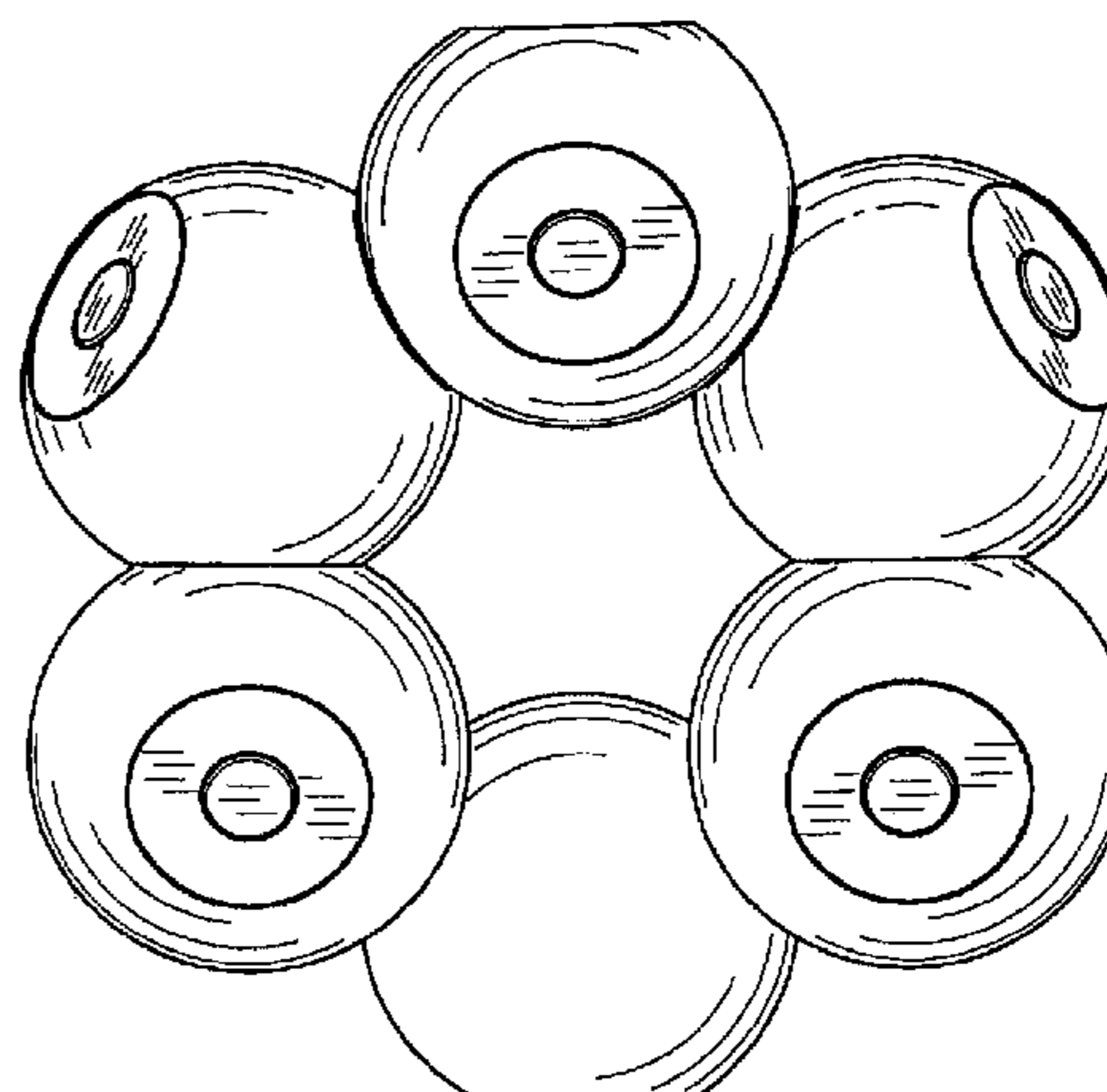
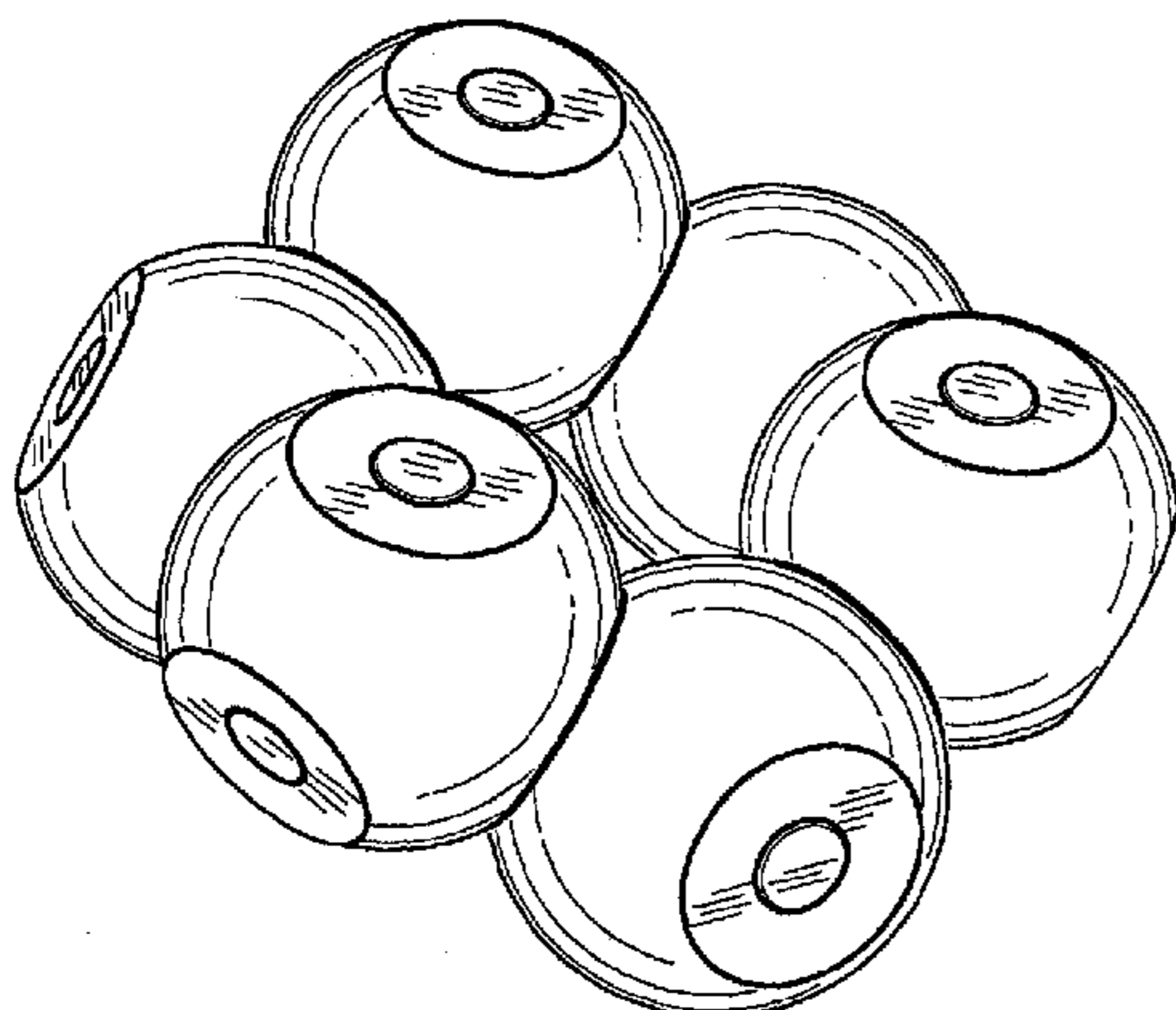
(57) **CLAIM**

The ornamental design for a model of molecule, as shown.

DESCRIPTION

FIG. 1 is a front perspective view of the subject design;
FIG. 2 is a rear perspective view thereof;
FIG. 3 is a left side view thereof (the right side view is a mirror image);
FIG. 4 is a front elevational view thereof;
FIG. 5 is a rear elevational view thereof;
FIG. 6 is a top plan view thereof; and,
FIG. 7 is a bottom plan view thereof.

1 Claim, 3 Drawing Sheets



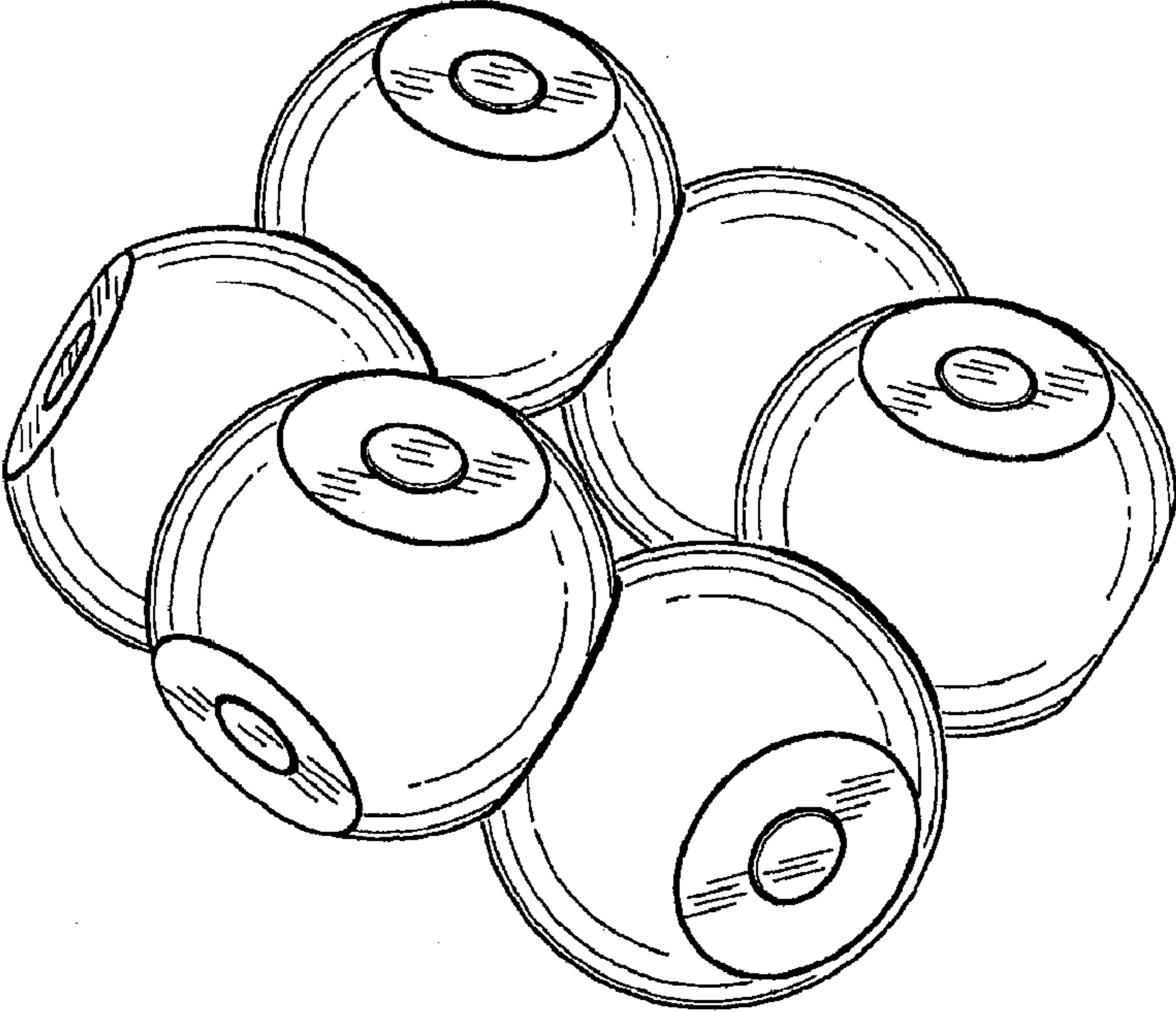


FIG. 1

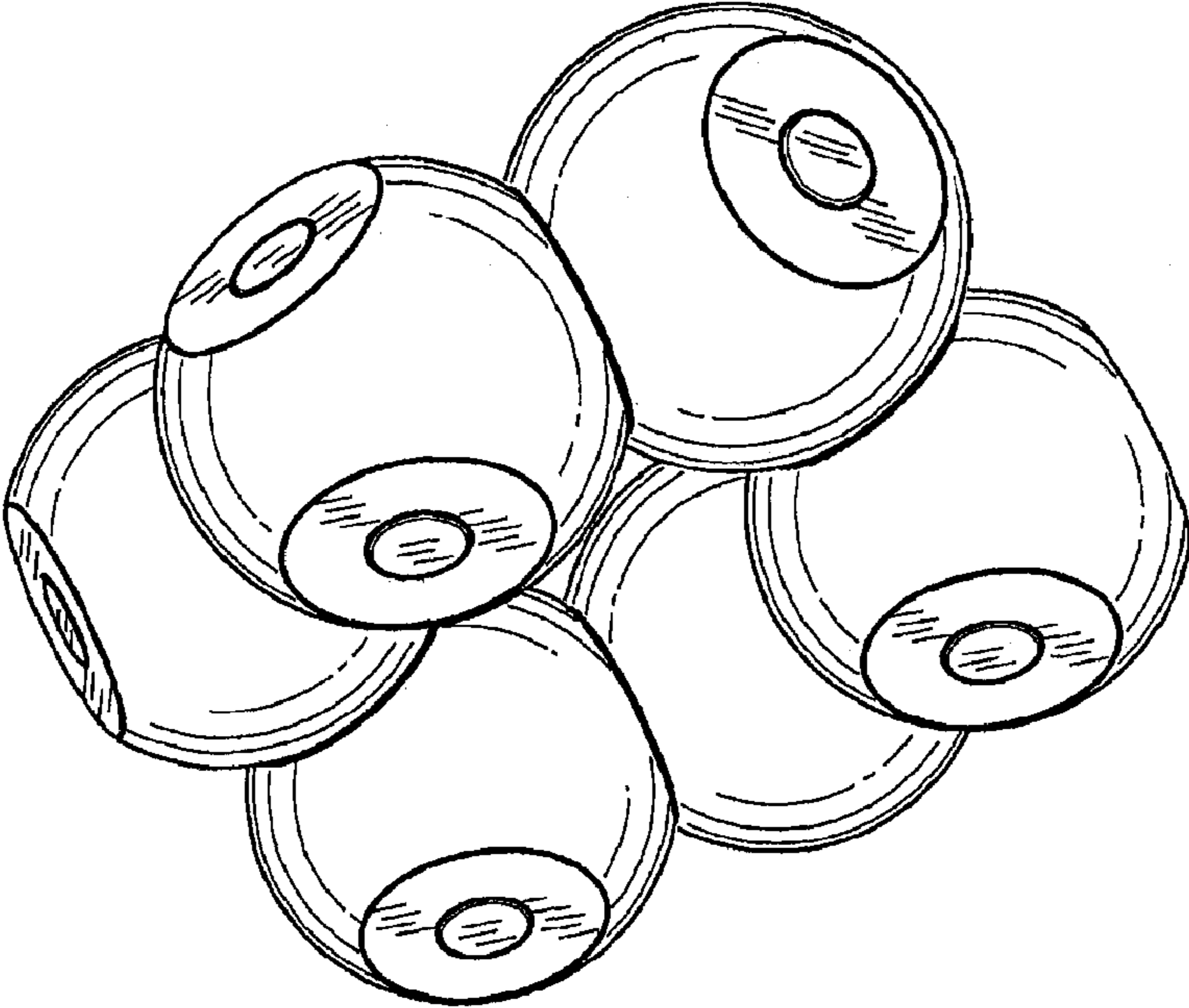


FIG. 2

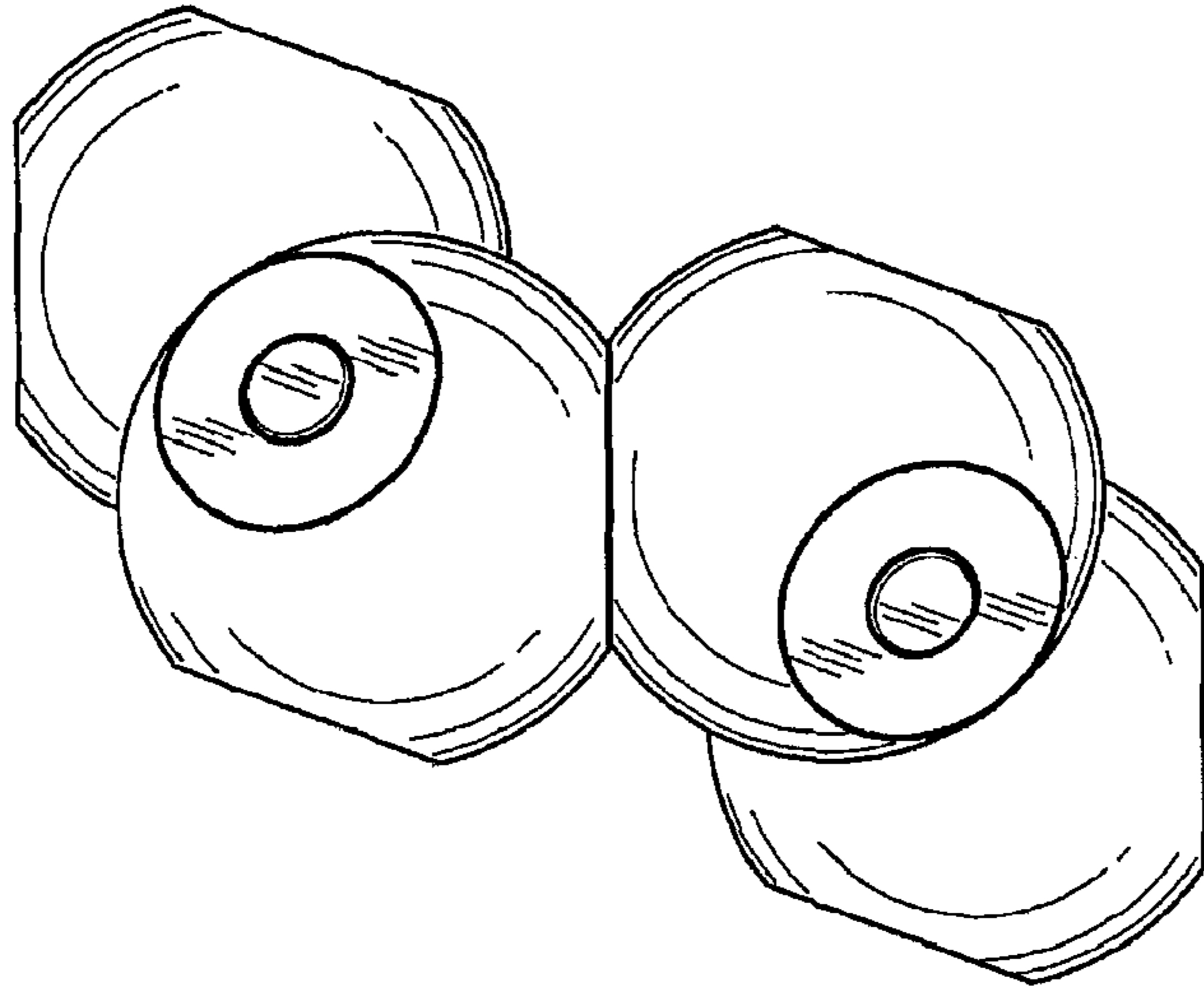


FIG. 3

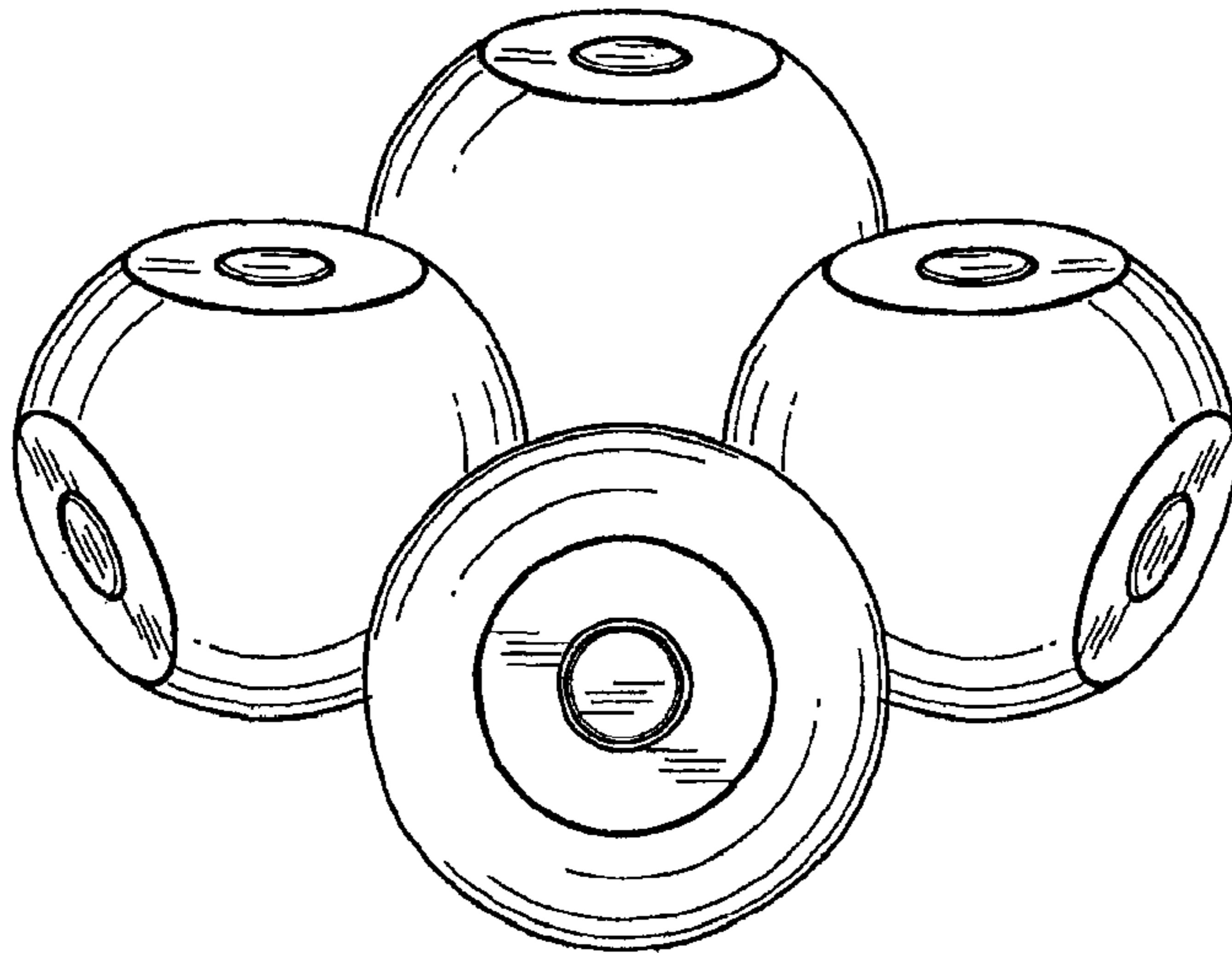


FIG. 4

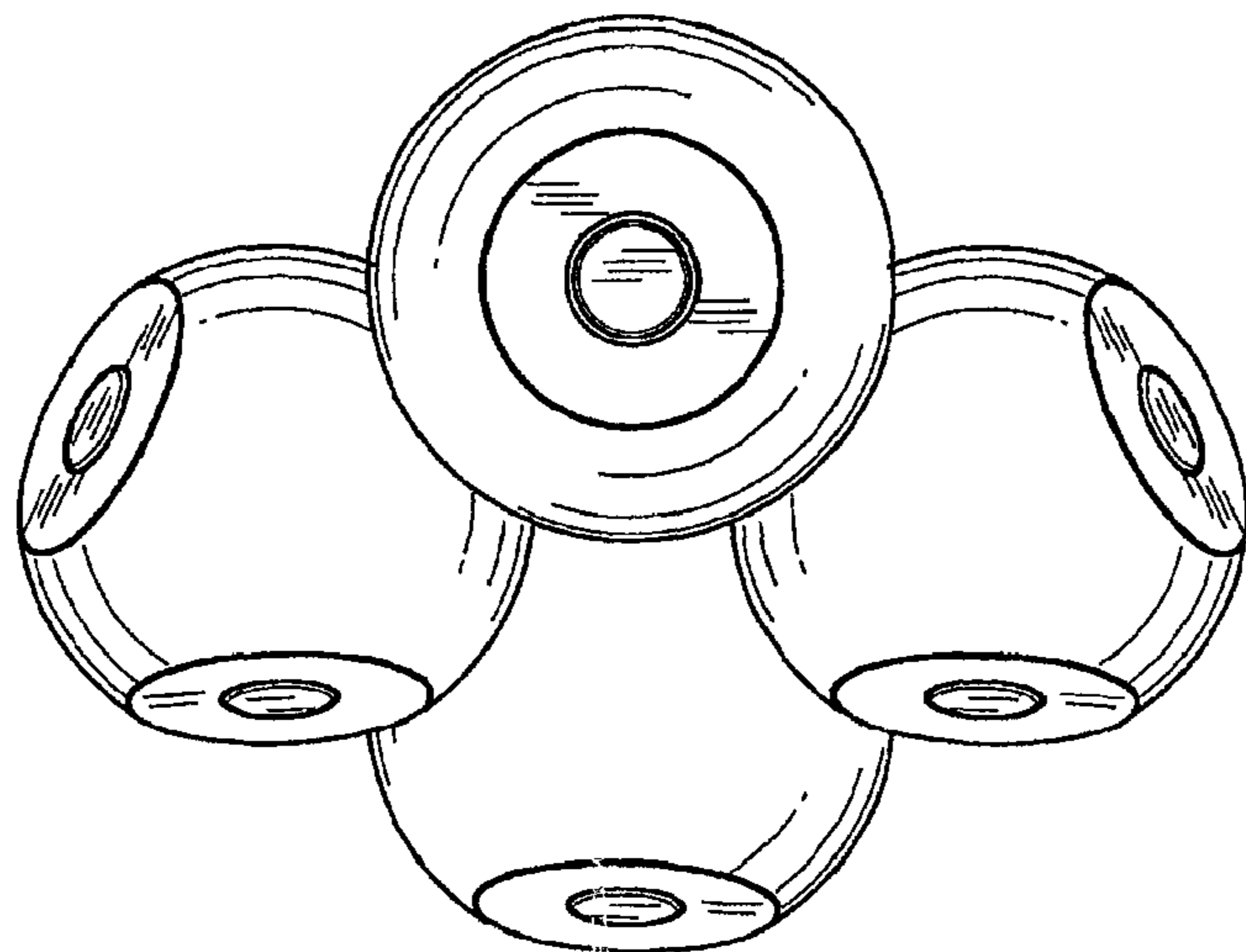


FIG. 5

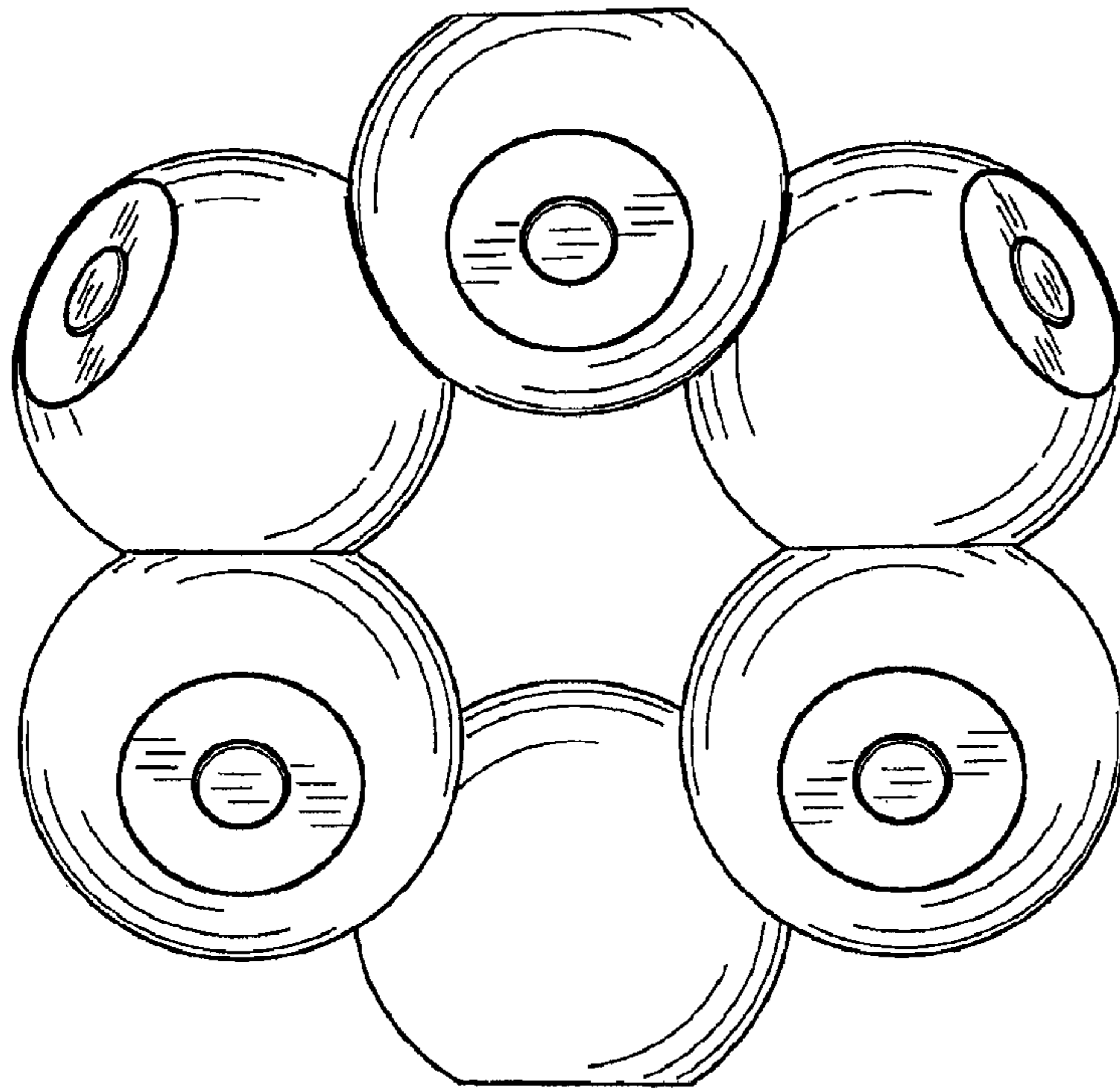


FIG. 6

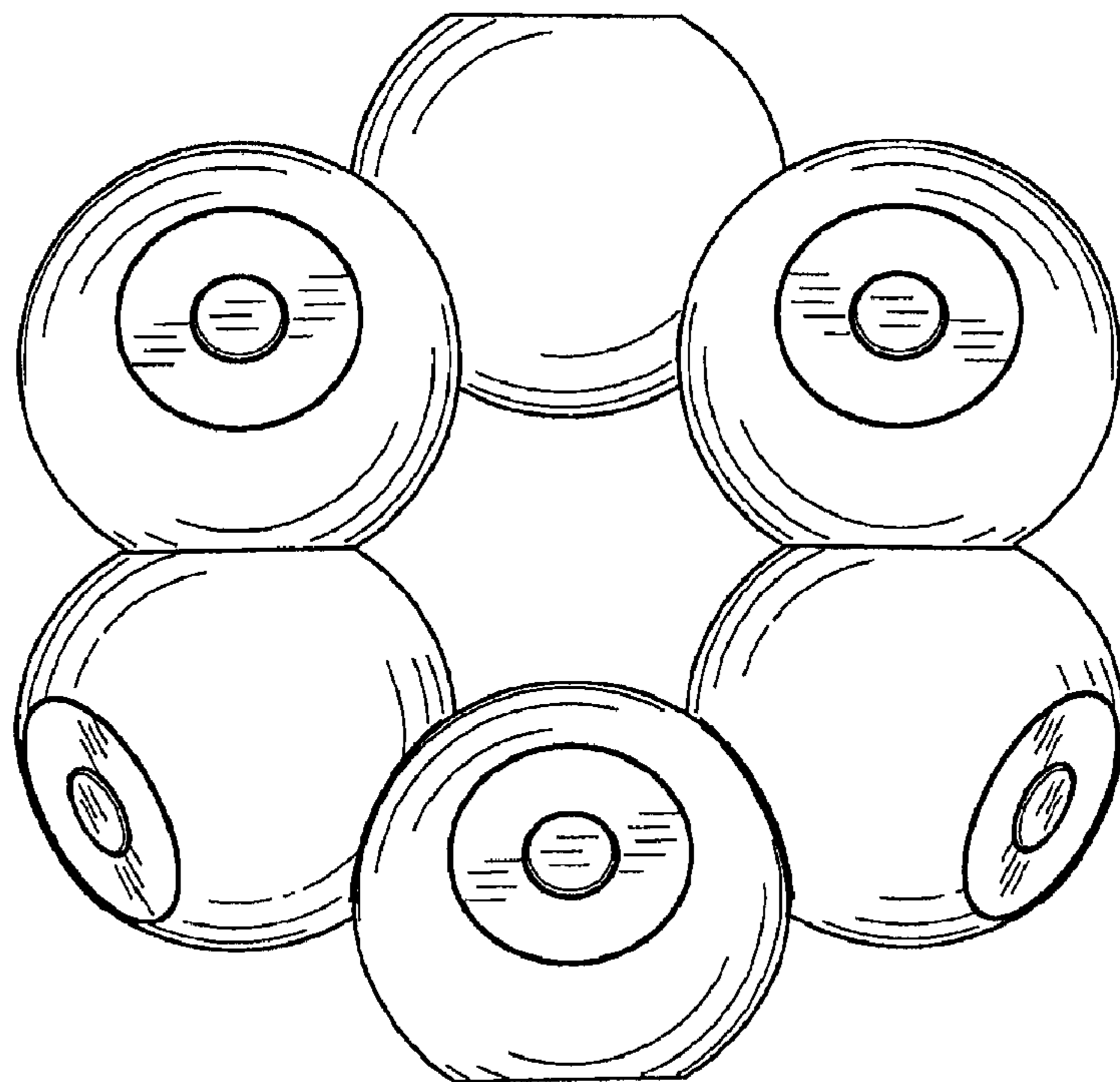


FIG. 7