



US00D633143S

(12) **United States Design Patent**
Manieri et al.

(10) **Patent No.:** **US D633,143 S**
(45) **Date of Patent:** **** Feb. 22, 2011**

(54) **BEHAVIOR MODIFICATION DEVICE**

(76) Inventors: **Tamara J. Manieri**, P.O. Box 2805, Oakhurst, CA (US) 93644; **William P. Manieri**, P.O. Box 2805, Oakhurst, CA (US) 93644

(**) Term: **14 Years**

(21) Appl. No.: **29/357,929**

(22) Filed: **Mar. 19, 2010**

(51) **LOC (9) Cl.** **19-07**

(52) **U.S. Cl.** **D19/59**

(58) **Field of Classification Search** D19/59-64;
119/702, 706-711, 51.01, 51.02; D30/160;
434/107, 236, 238, 247, 258, 340; 206/84;
446/386; 606/204

See application file for complete search history.

(56) **References Cited**

U.S. PATENT DOCUMENTS

5,573,407	A *	11/1996	Dunford	434/236
5,697,790	A *	12/1997	Garland et al.	434/238
5,716,211	A *	2/1998	Vetter	434/107
5,819,690	A *	10/1998	Brown	119/707
5,865,147	A *	2/1999	Rubin	119/711
5,947,061	A *	9/1999	Markham et al.	119/710
5,965,182	A *	10/1999	Lindgren	446/386

(Continued)

Primary Examiner—T. Chase Nelson

Assistant Examiner—Mark Cavanna

(74) *Attorney, Agent, or Firm*—Richard A. Ryan

(57) **CLAIM**

The ornamental design for a behavior modification device, as shown and described.

DESCRIPTION

FIG. 1 is a left side view showing the new design for the behavior modification device of the present invention, with the right side view thereof being a mirror image thereof;

FIG. 2 is a front view of the device of FIG. 1;

FIG. 3 is a back view of the device of FIG. 1;

FIG. 4 is a top view of the device of FIG. 1;

FIG. 5 is a bottom view of the device of FIG. 1;

FIG. 6 is an exploded side view of the device of FIG. 1 showing the device disassembled into its five separate components, with the head or first component being the rightmost component and the tail or fifth component being the leftmost component;

FIG. 7 is a back view of the first component of the device of FIG. 1 shown at lines 7—7 on FIG. 6, with the front view of the fifth component being the same;

FIG. 8 is a front view of the second component of the device of FIG. 1 shown at lines 8—8 on FIG. 6, with the back view of the fourth component being the same;

FIG. 9 is a back view of the second component of the device of FIG. 1 shown at lines 9—9 on FIG. 6, with the front view of the fourth component being the same;

FIG. 10 is a front view of the third component of the device of FIG. 1 shown at lines 10—10 on FIG. 6, with the rear view of the third component being the same;

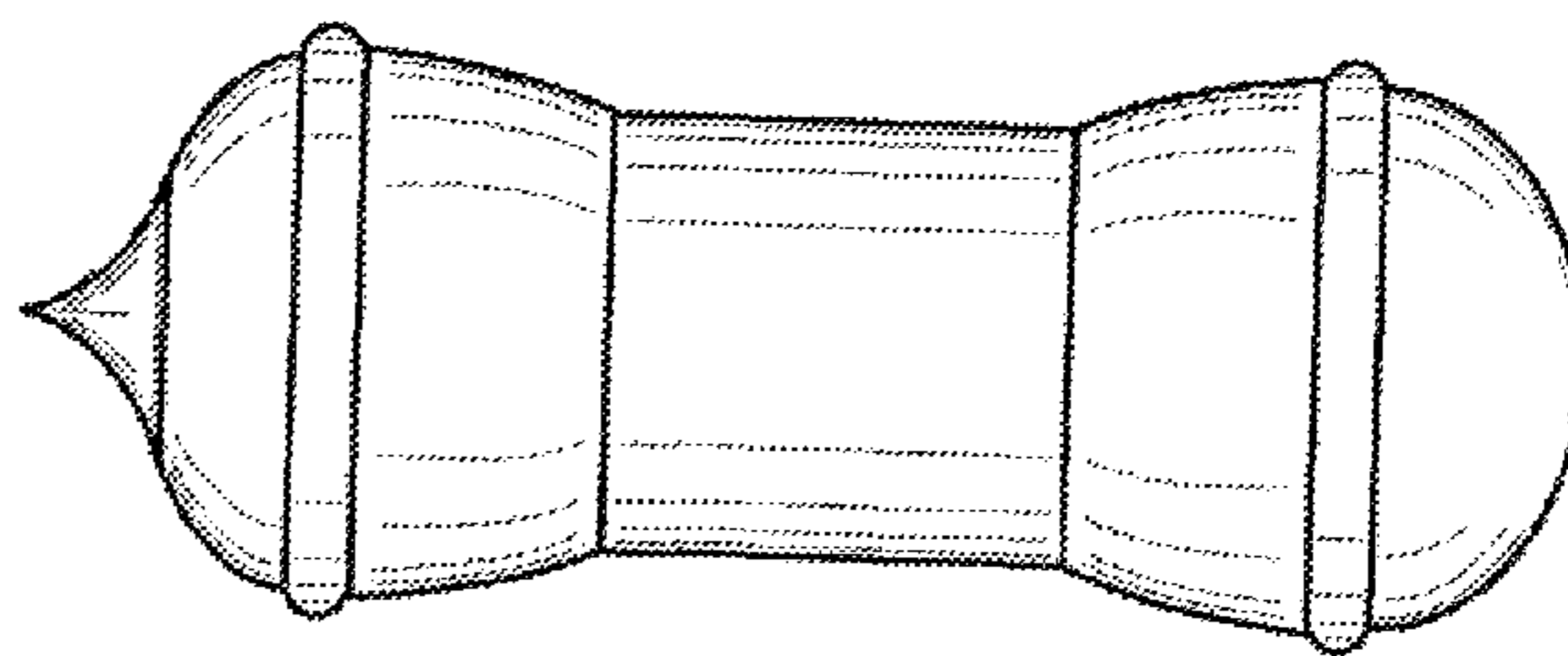
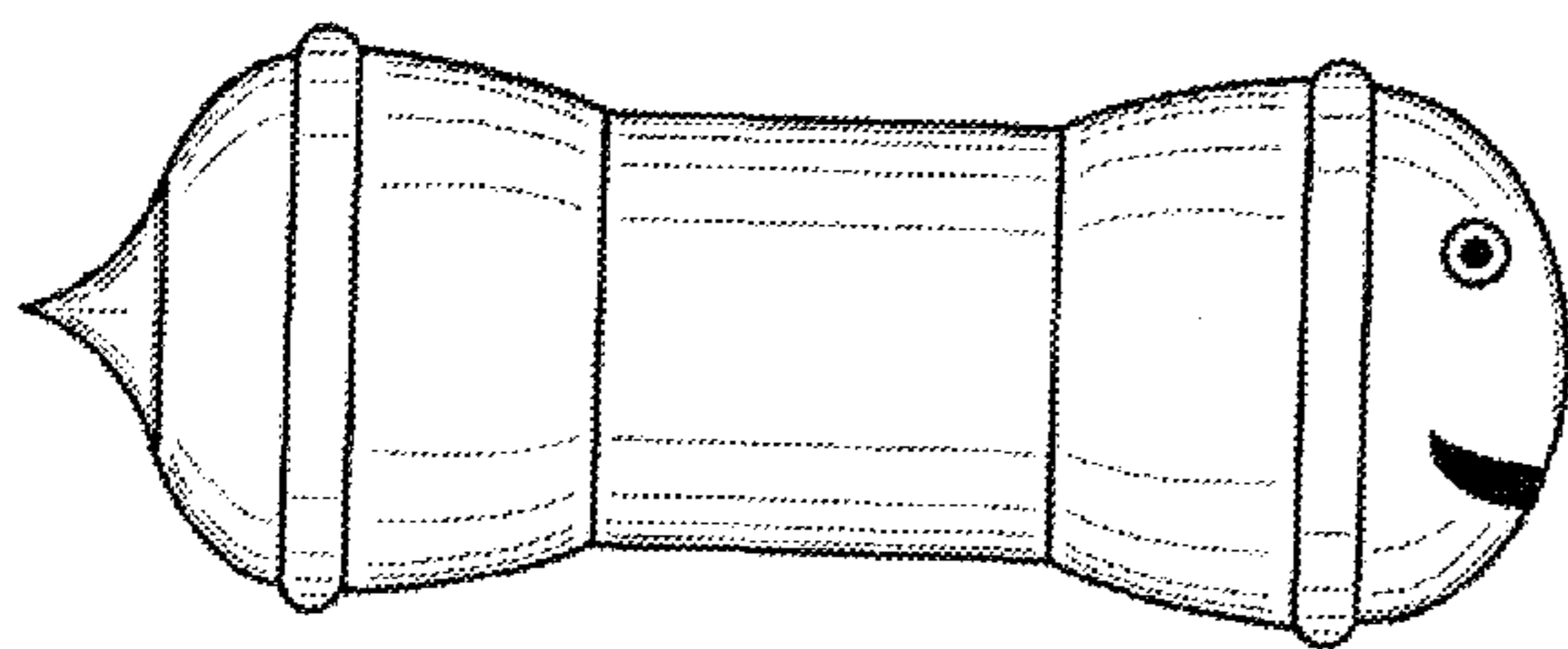
FIG. 11 is a left side view of an alternative embodiment of the behavior modification device, with the right side view thereof being the same;

FIG. 12 is a front view of the device of FIG. 11, with the back view being the same as FIG. 3 and the views shown in FIGS. 7 through 10 being the same; and,

FIG. 13 is a top view of the device of FIG. 11, with the bottom view thereof being the same.

The broken lines in FIGS. 8 and 10 form no part of the claimed design.

1 Claim, 4 Drawing Sheets



US D633,143 S

Page 2

U.S. PATENT DOCUMENTS

6,027,521	A *	2/2000	Ourada	606/204	7,699,614	B2 *	4/2010	Thurman	434/247
6,073,581	A *	6/2000	Wang	119/51.01	D625,056	S *	10/2010	Kelly	D30/160
6,158,391	A *	12/2000	Simonetti	119/702	2001/0034013	A1 *	10/2001	Bennett	434/238
6,237,538	B1 *	5/2001	Tsengas	119/710	2002/0150874	A1 *	10/2002	Singh et al.	434/340
6,470,830	B2 *	10/2002	Mann	119/709	2005/0042586	A1 *	2/2005	Carpenter et al.	434/238
6,484,671	B2 *	11/2002	Herrenbruck	119/710	2006/0054106	A1 *	3/2006	Renforth	119/711
6,595,780	B2 *	7/2003	Singh et al.	434/258	2006/0060153	A1 *	3/2006	Washington et al.	119/707
D480,518	S *	10/2003	McGinty	D30/160	2006/0172268	A1 *	8/2006	Thurman	434/236
6,722,317	B2 *	4/2004	O'Rourke	119/707	2006/0254531	A1 *	11/2006	Willinger	119/710
6,976,619	B2 *	12/2005	Beacham et al.	206/0.84	2007/0022971	A1 *	2/2007	Renforth et al.	119/707
7,246,574	B2 *	7/2007	Renforth	119/711	2007/0125306	A1 *	6/2007	Beecher	119/51.02
7,347,693	B2 *	3/2008	Low et al.	434/236	2008/0261187	A1 *	10/2008	Pierce	434/238
					2008/0314331	A1 *	12/2008	DeGhionno	119/709

* cited by examiner

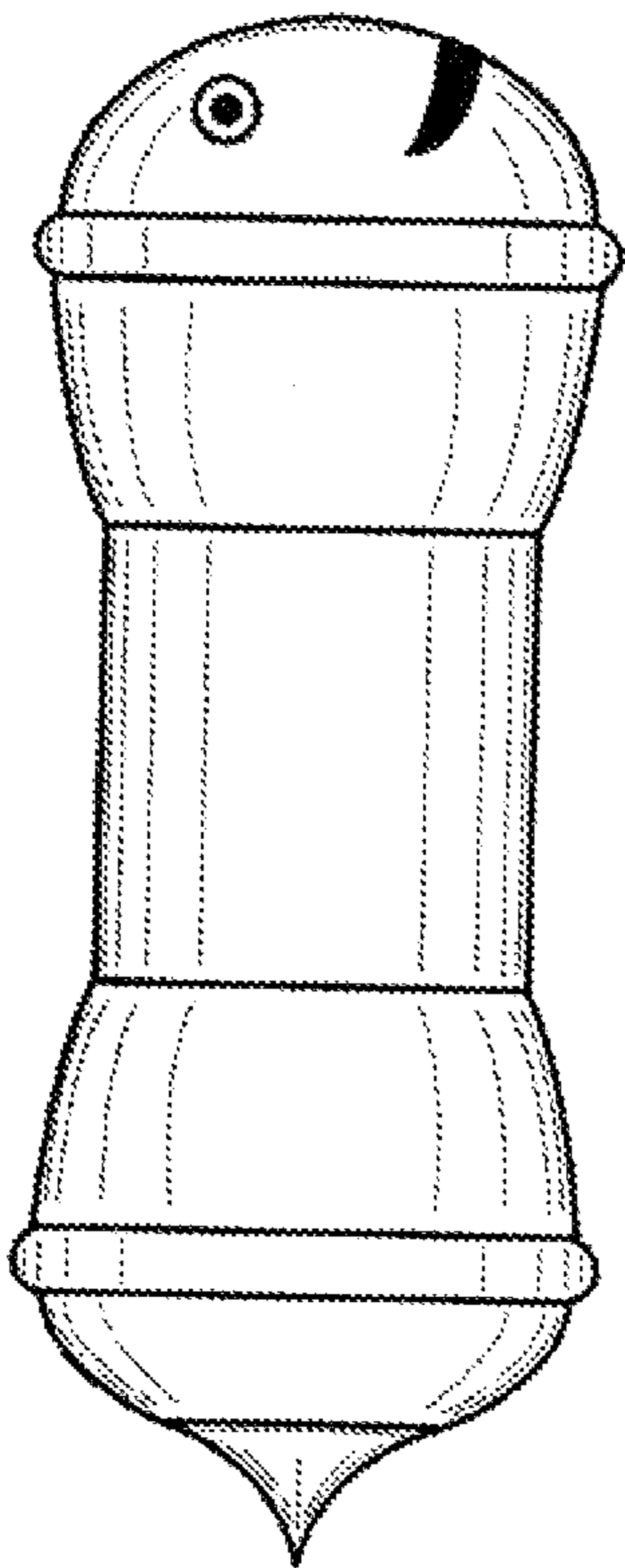


FIG. 1

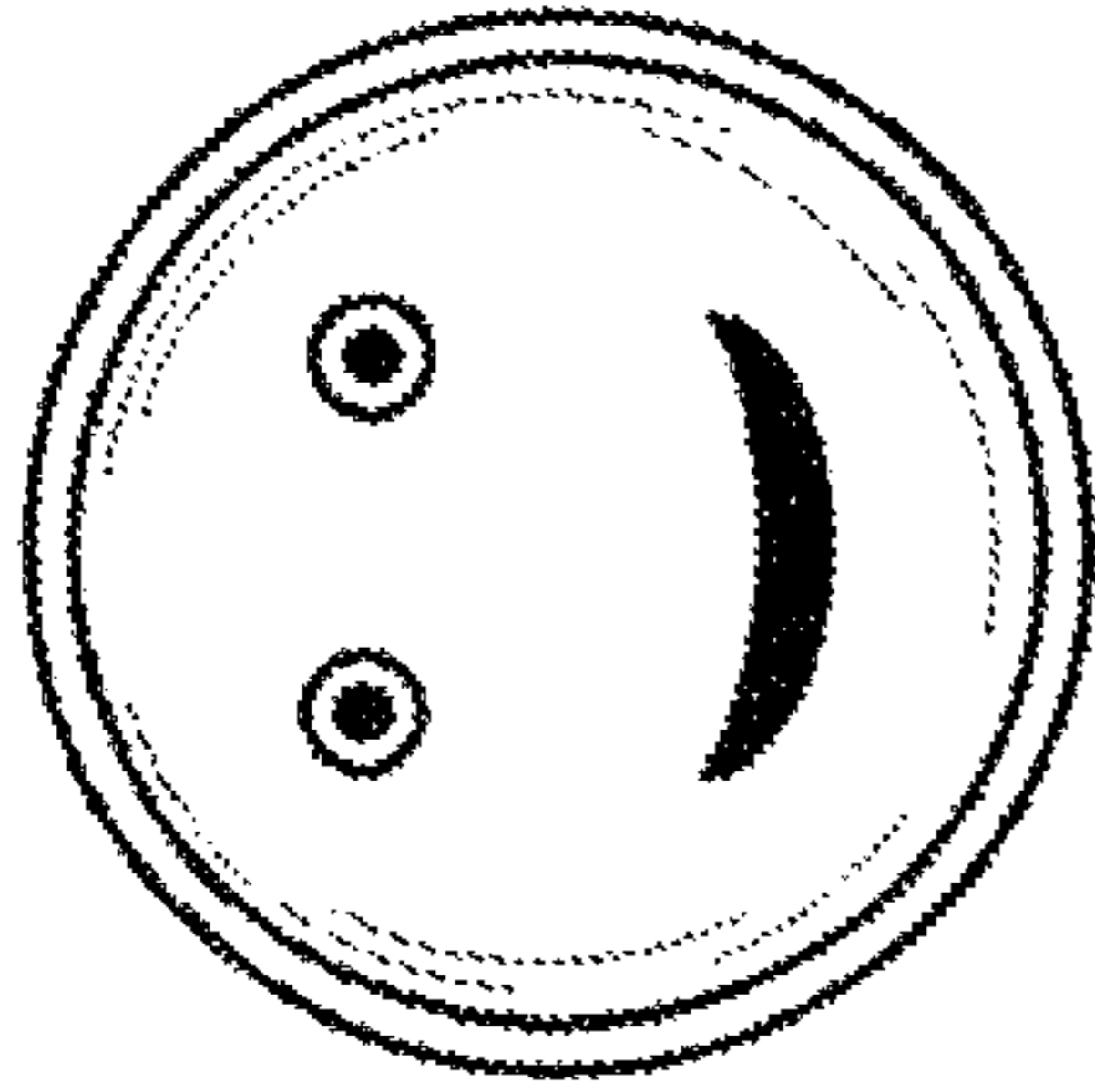


FIG. 2

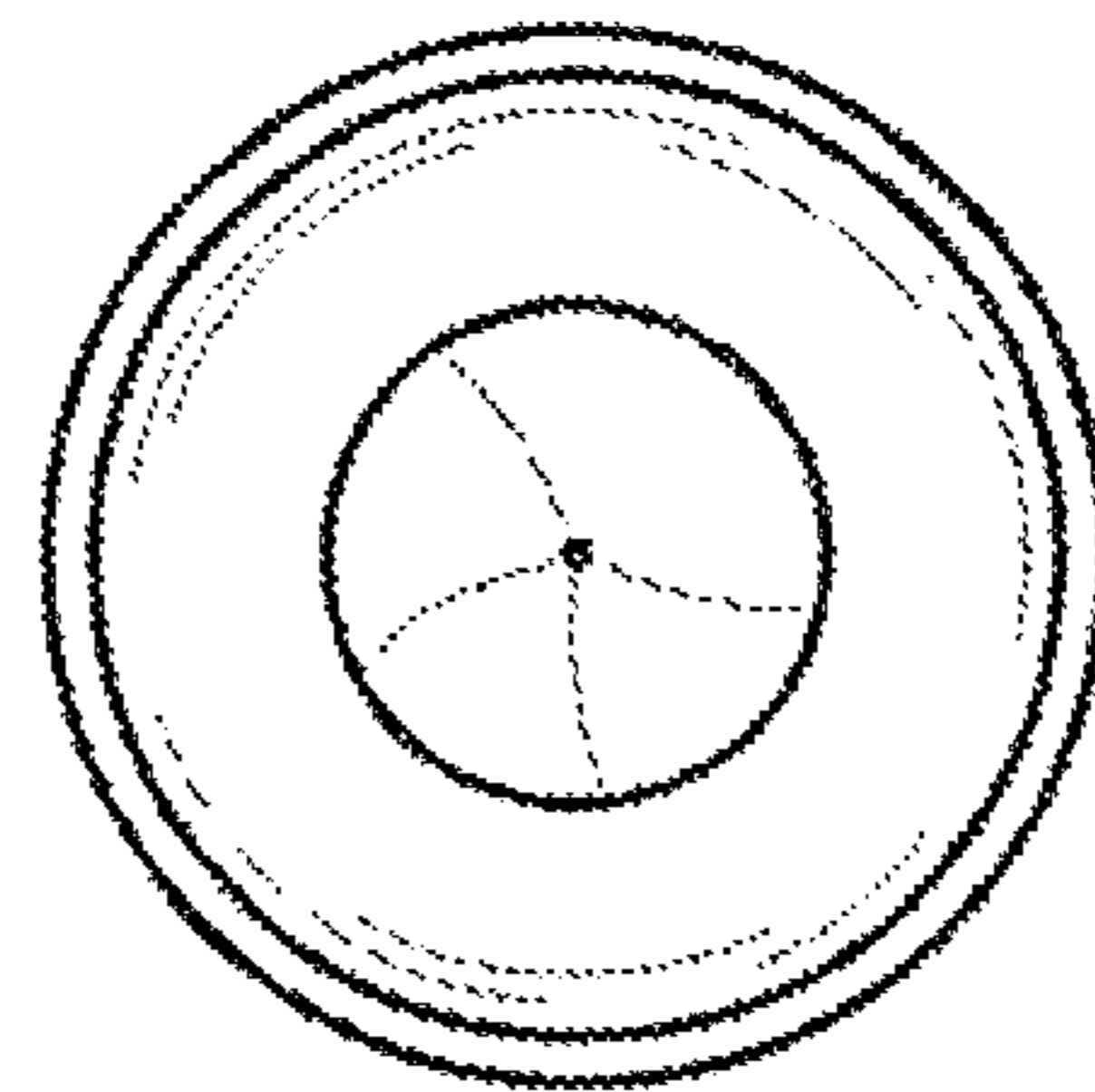


FIG. 3

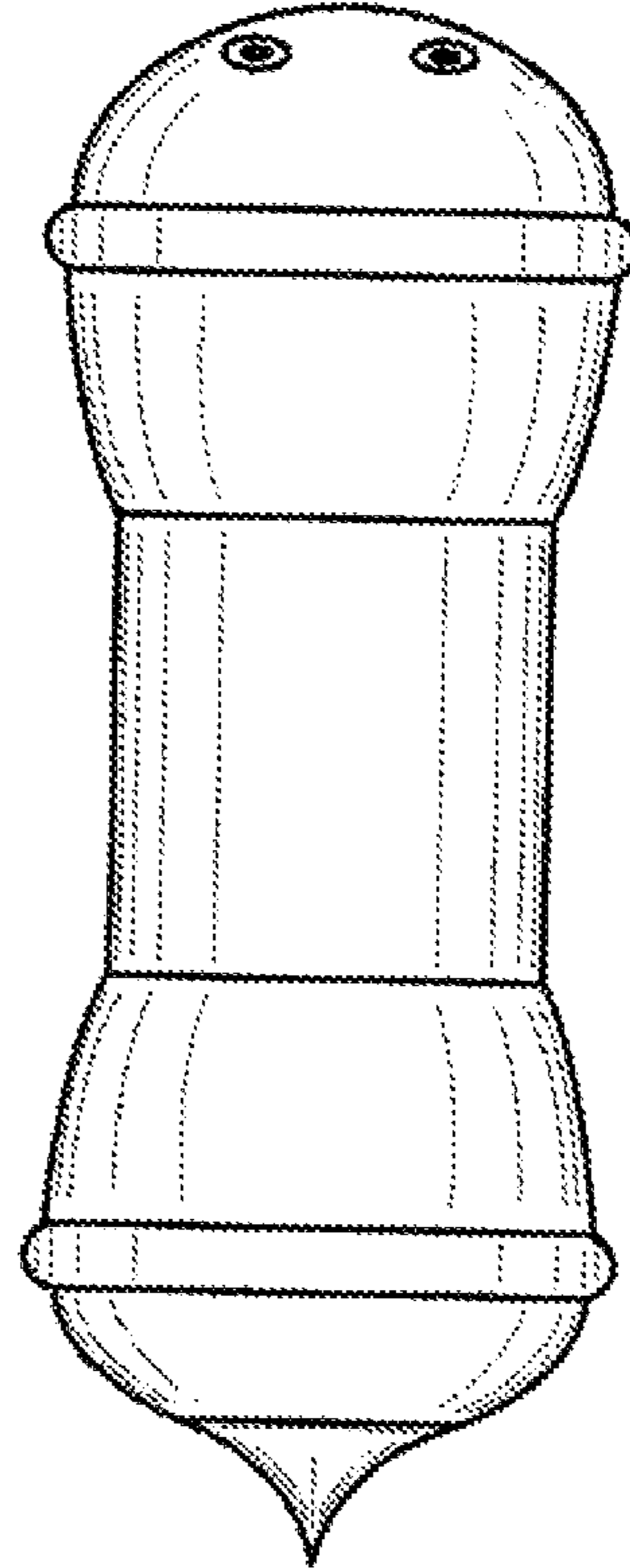


FIG. 4

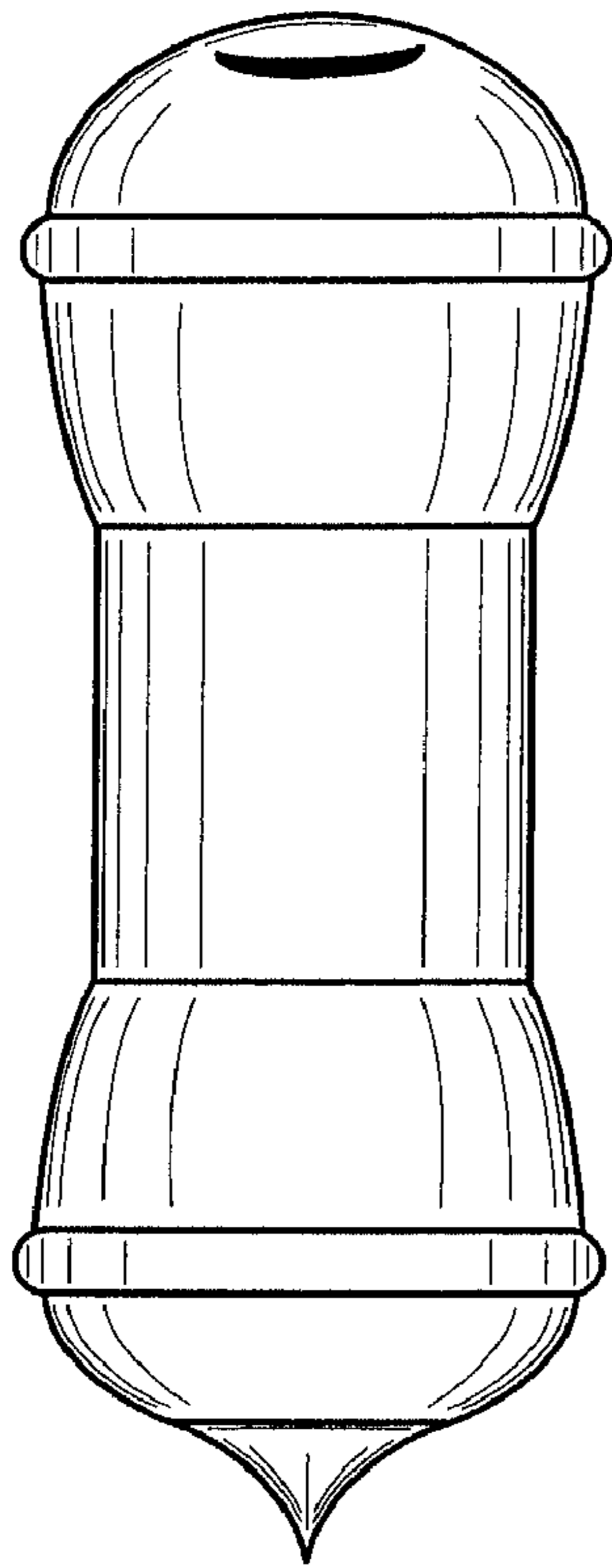


FIG. 5

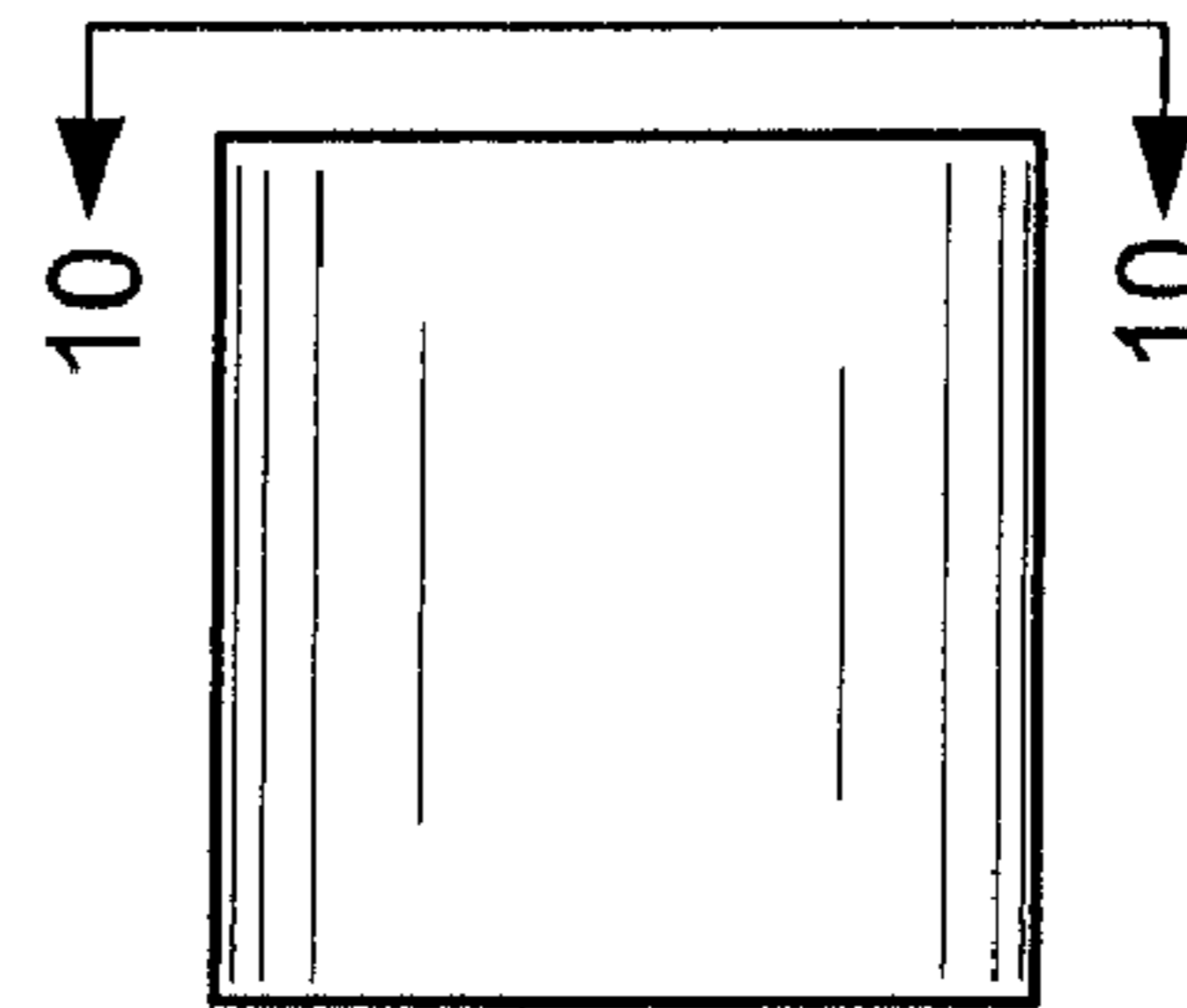
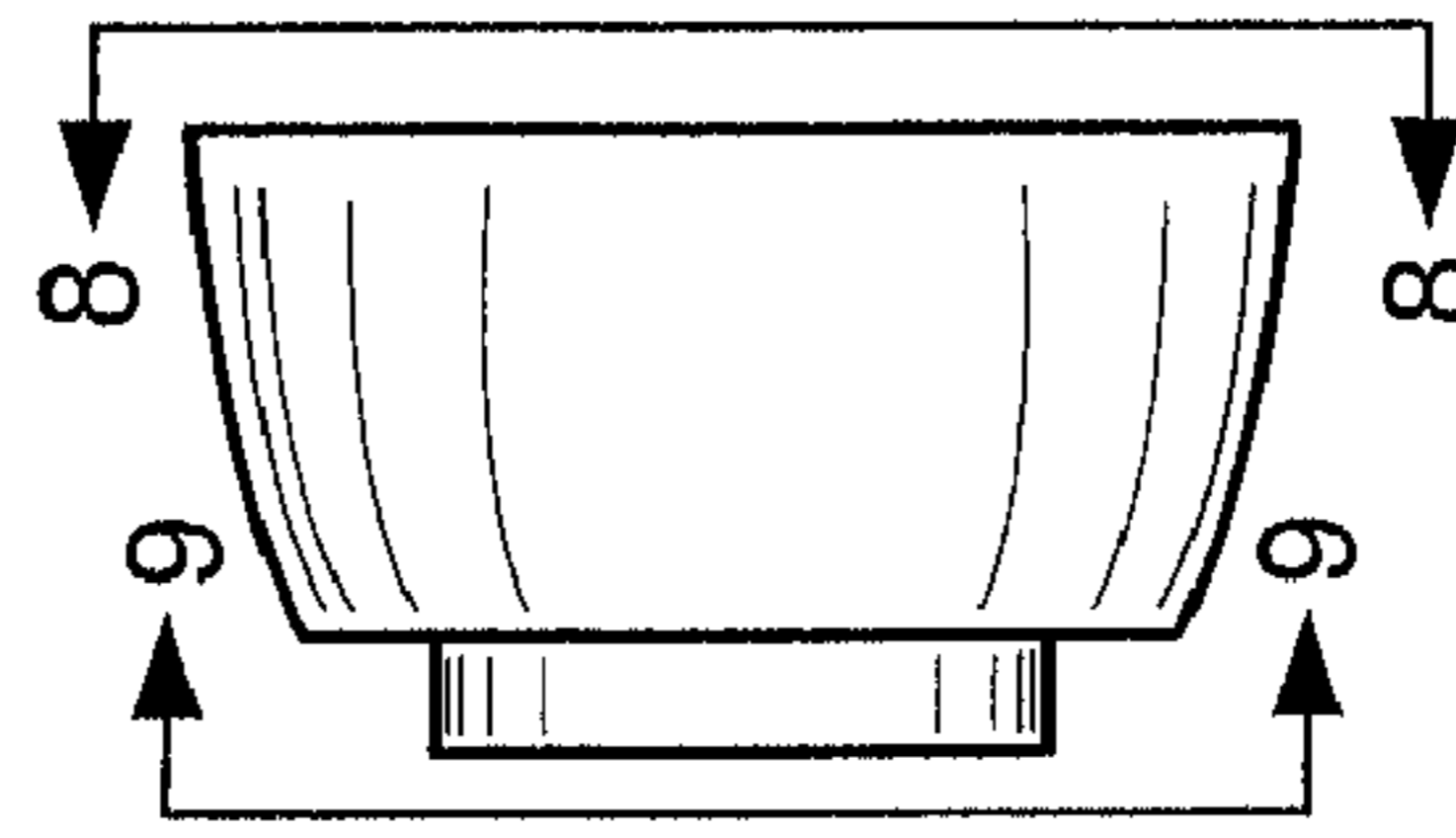
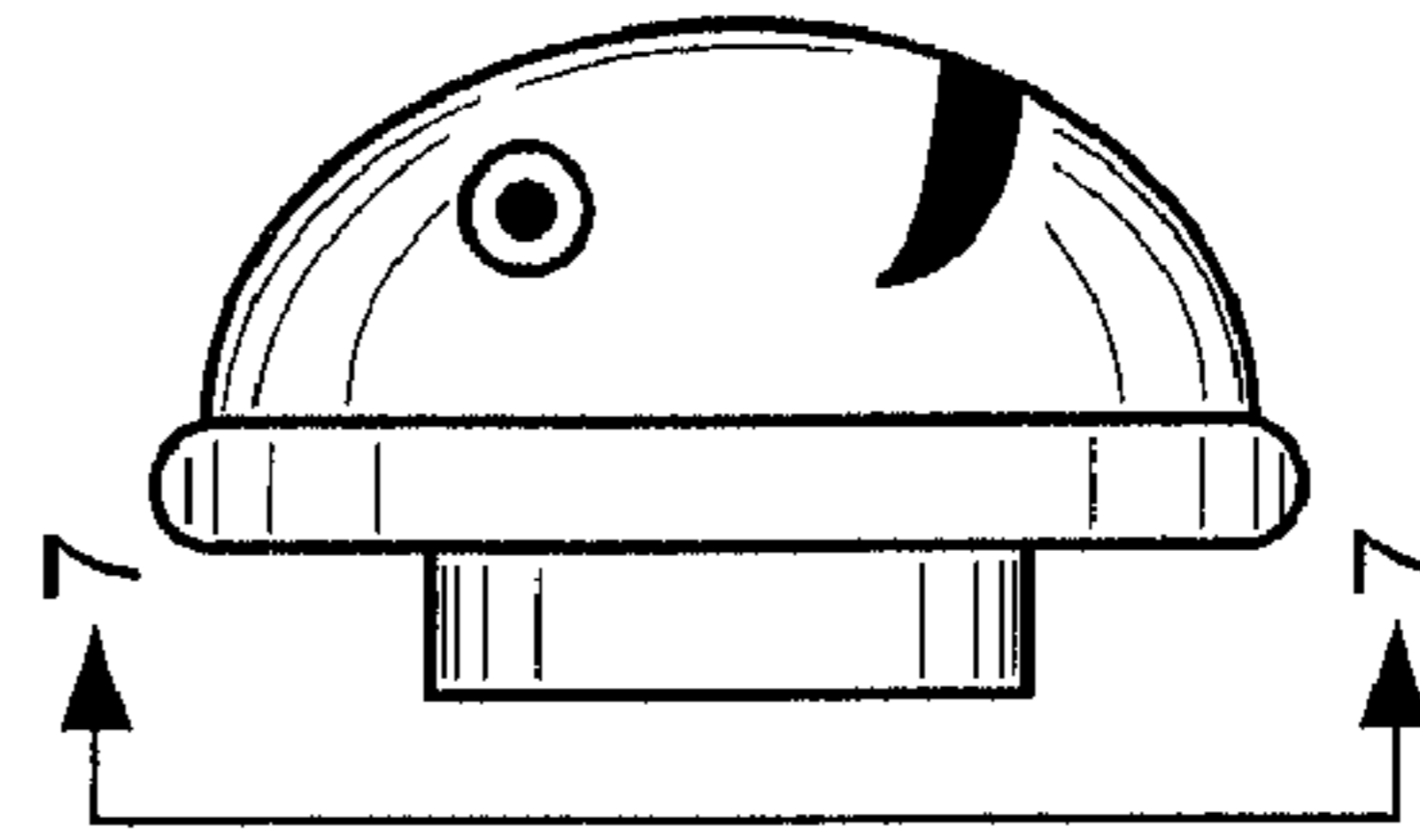
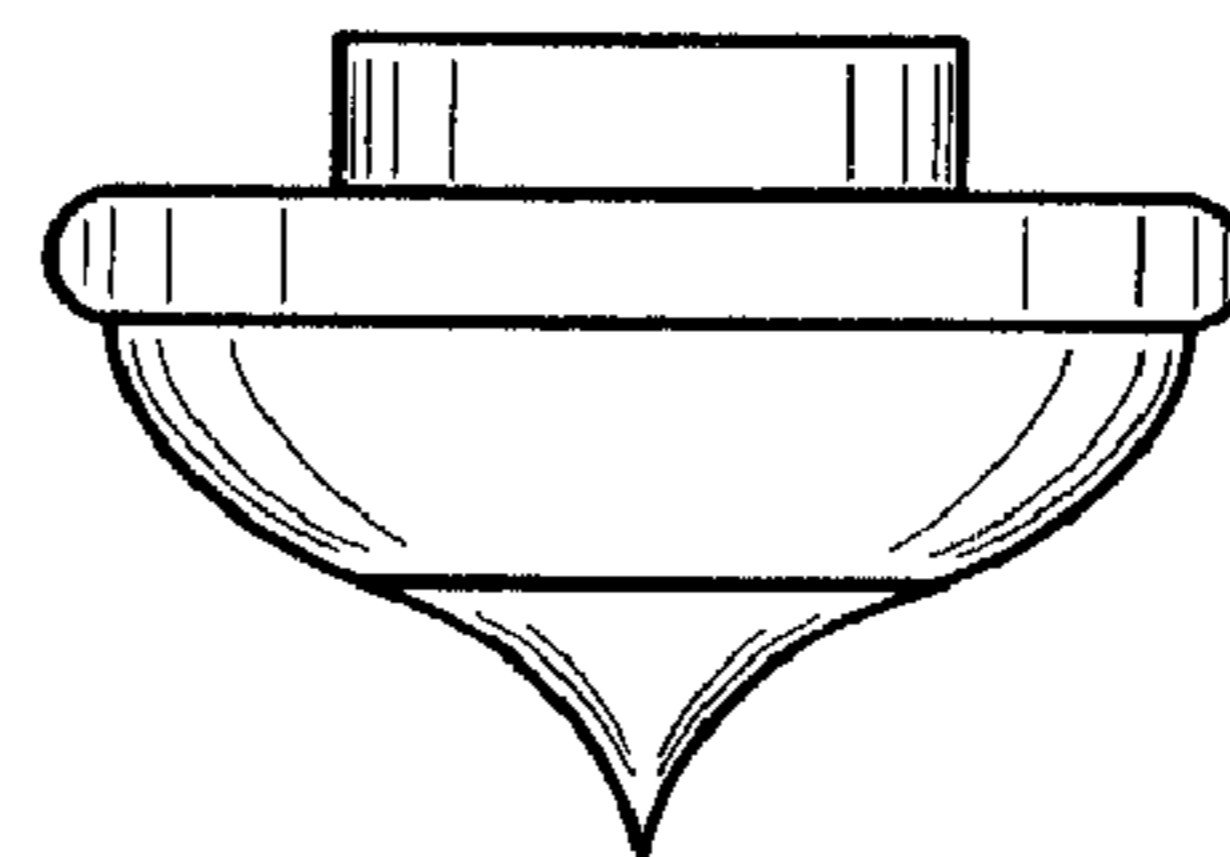
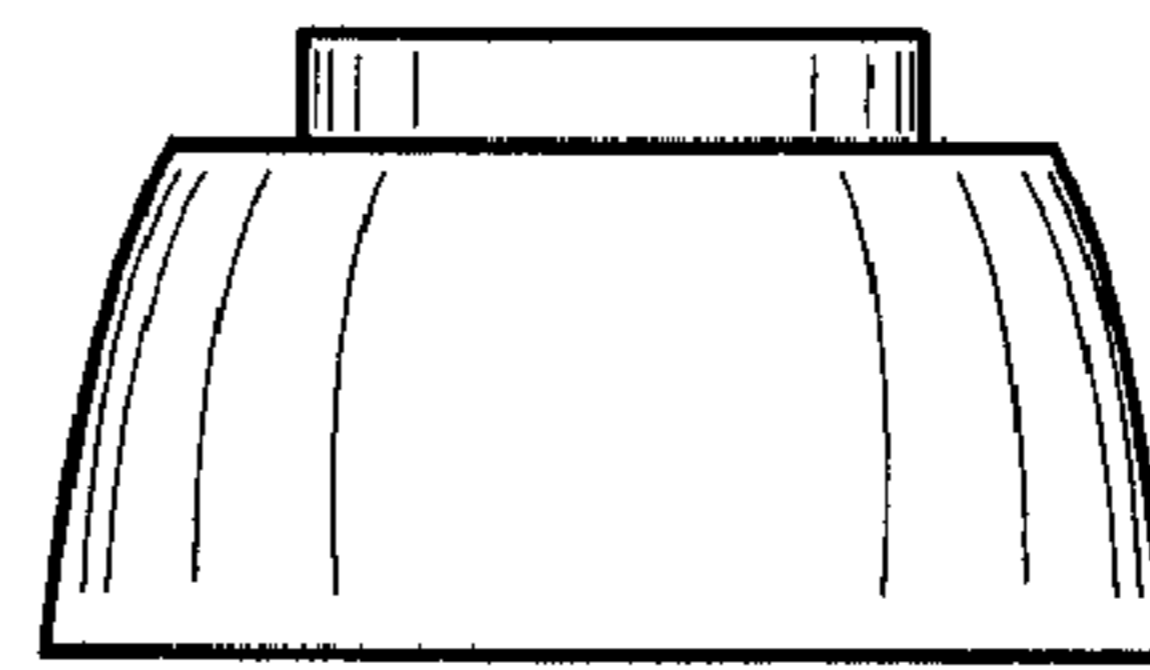


FIG. 6



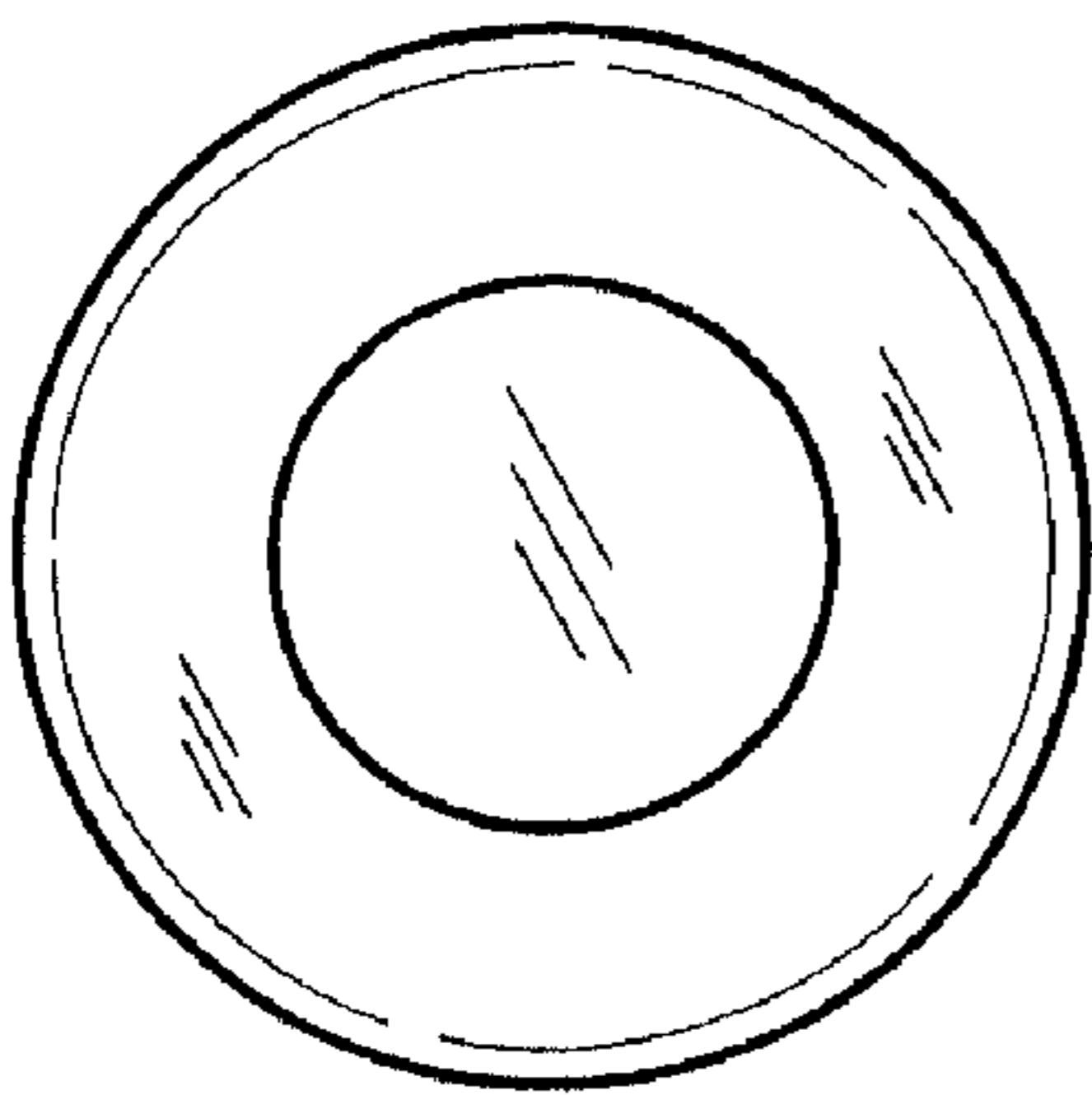


FIG. 7

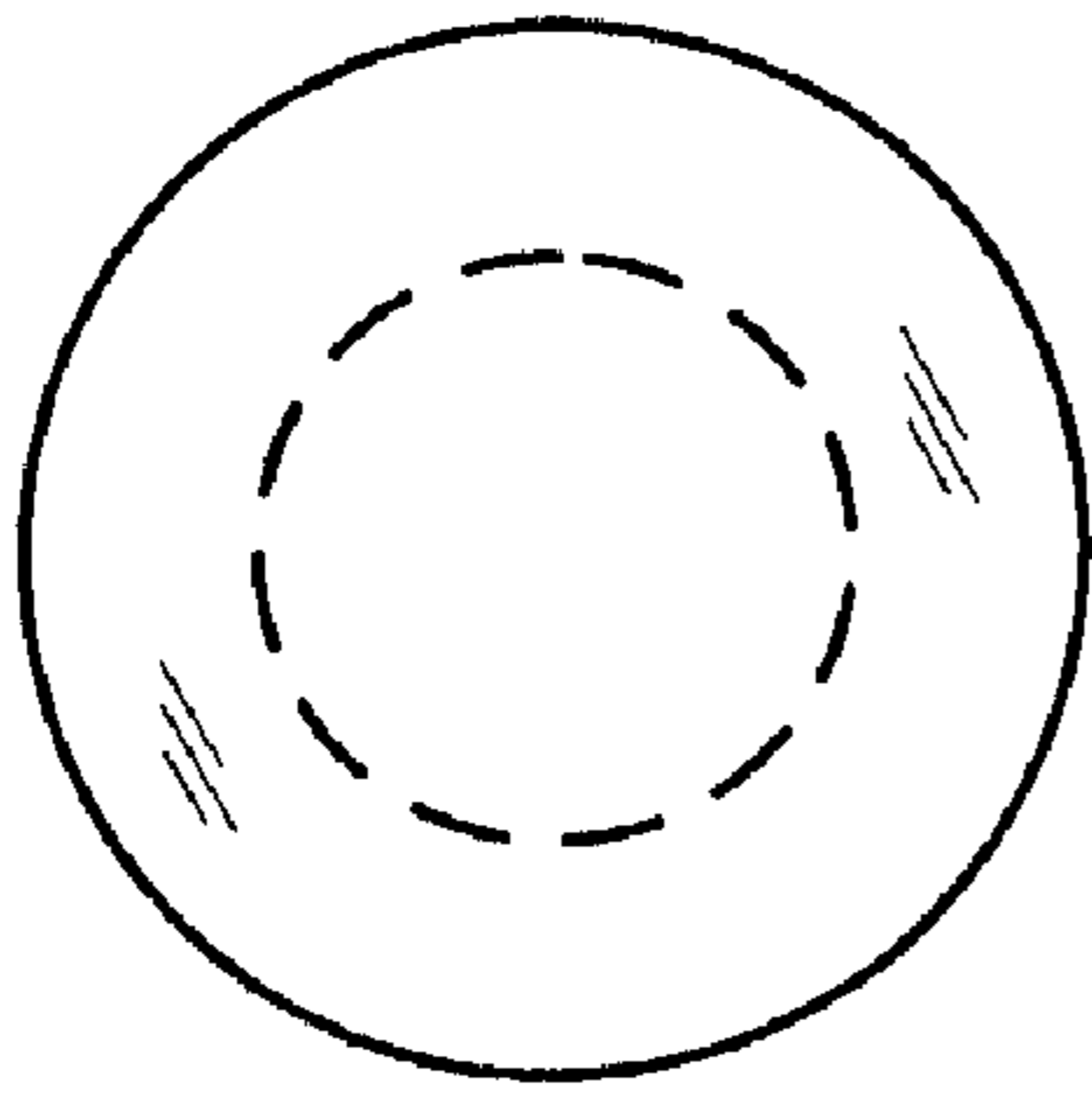


FIG. 8

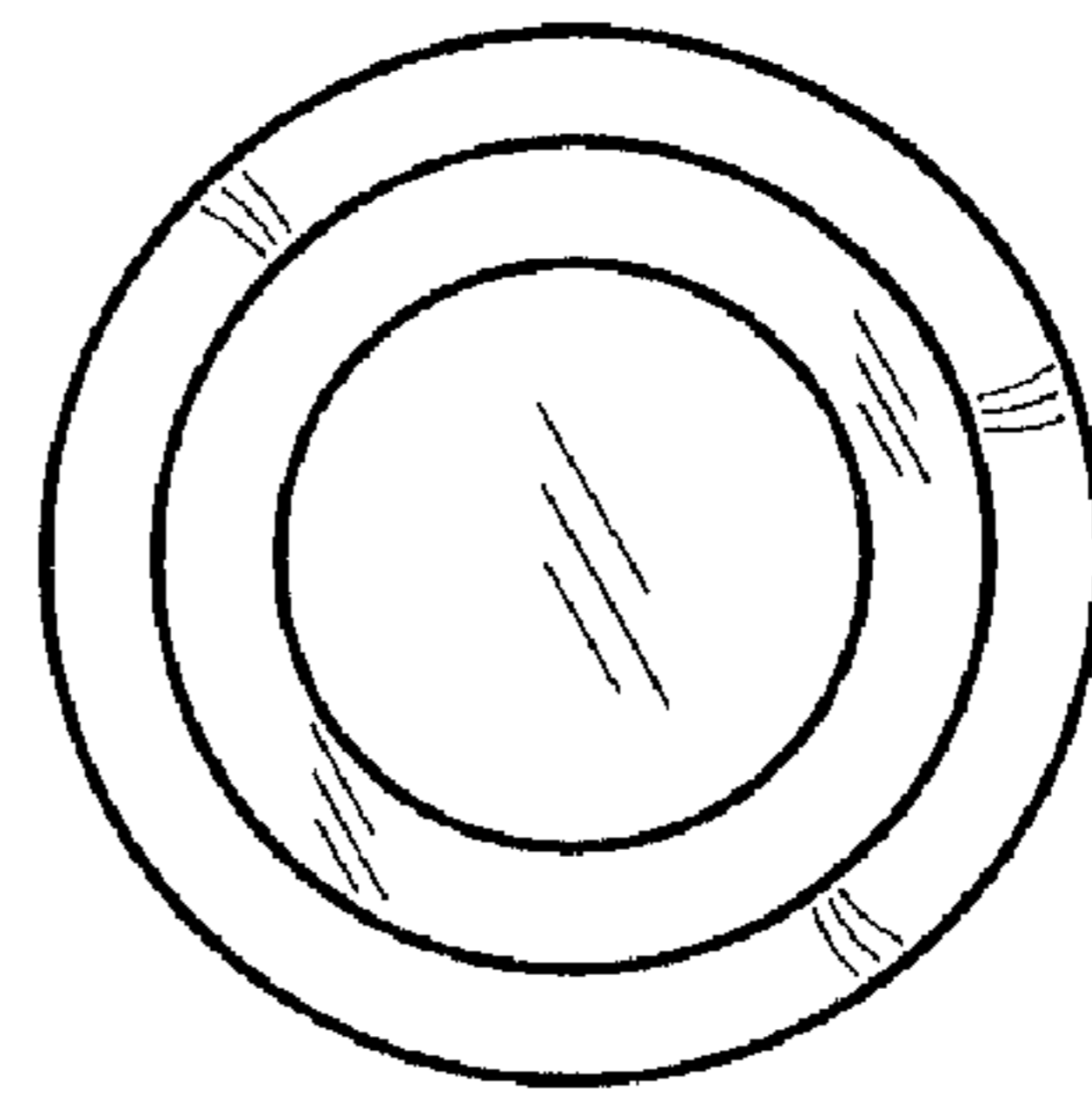


FIG. 9

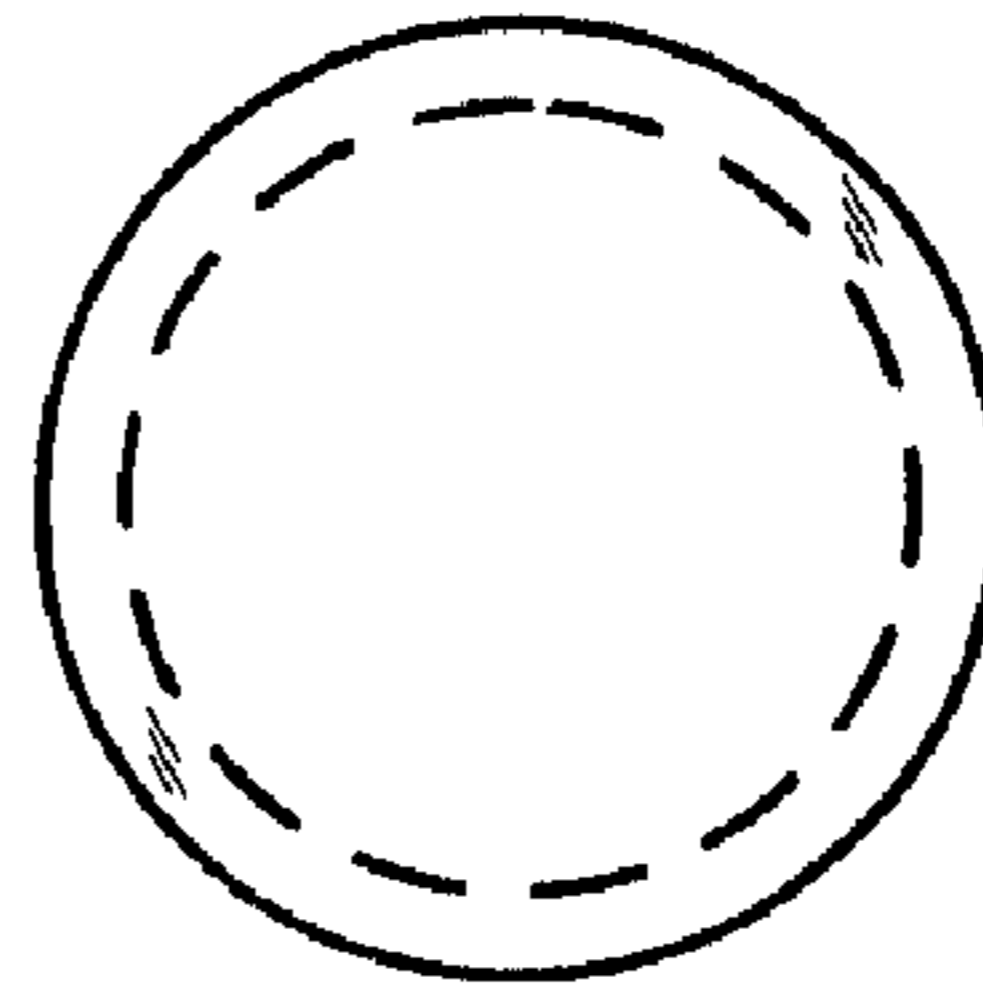


FIG. 10

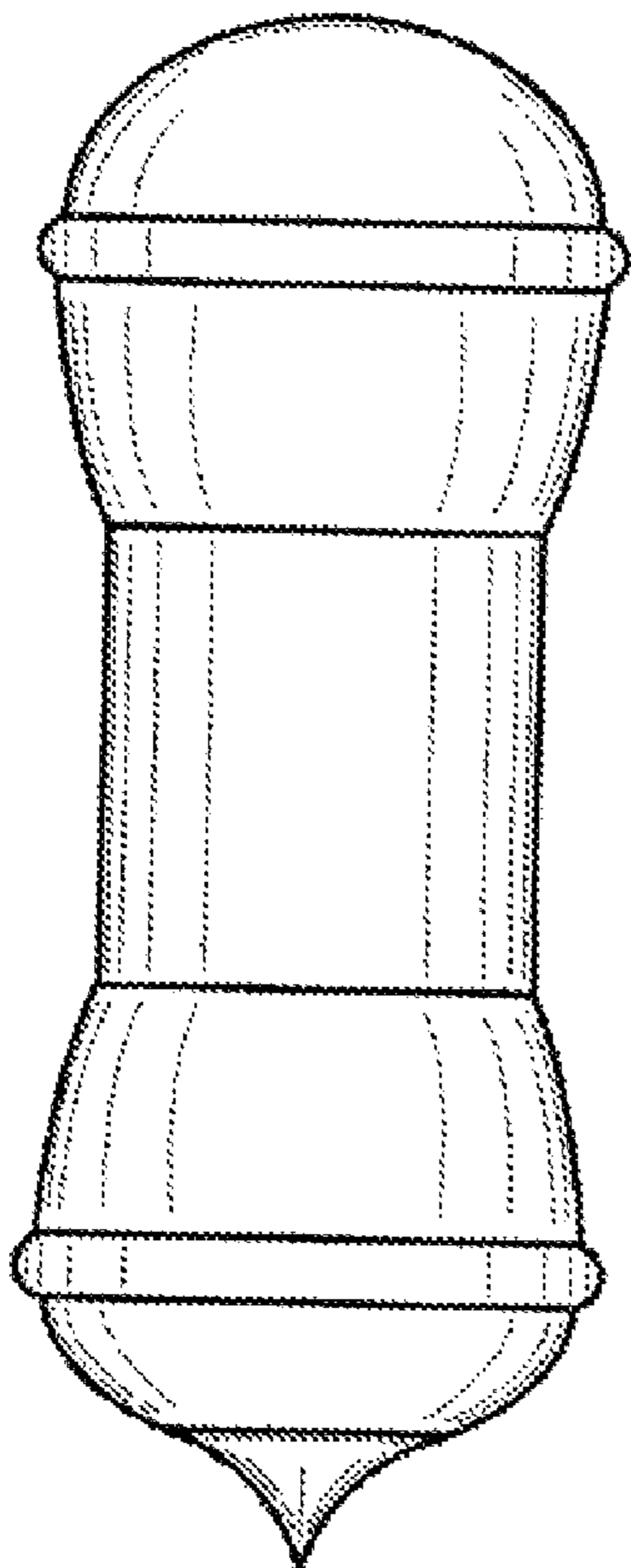


FIG. 11

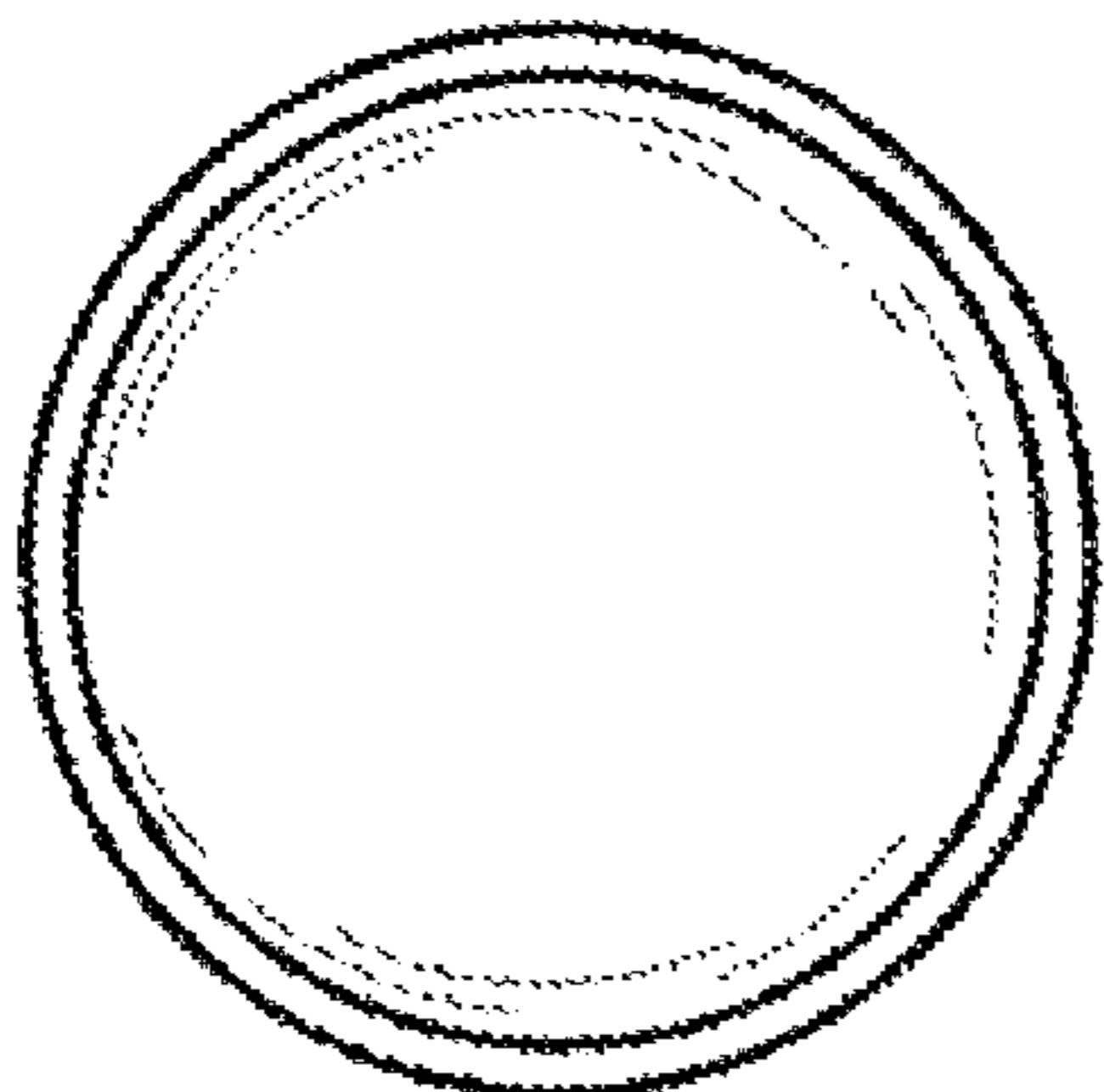


FIG. 12

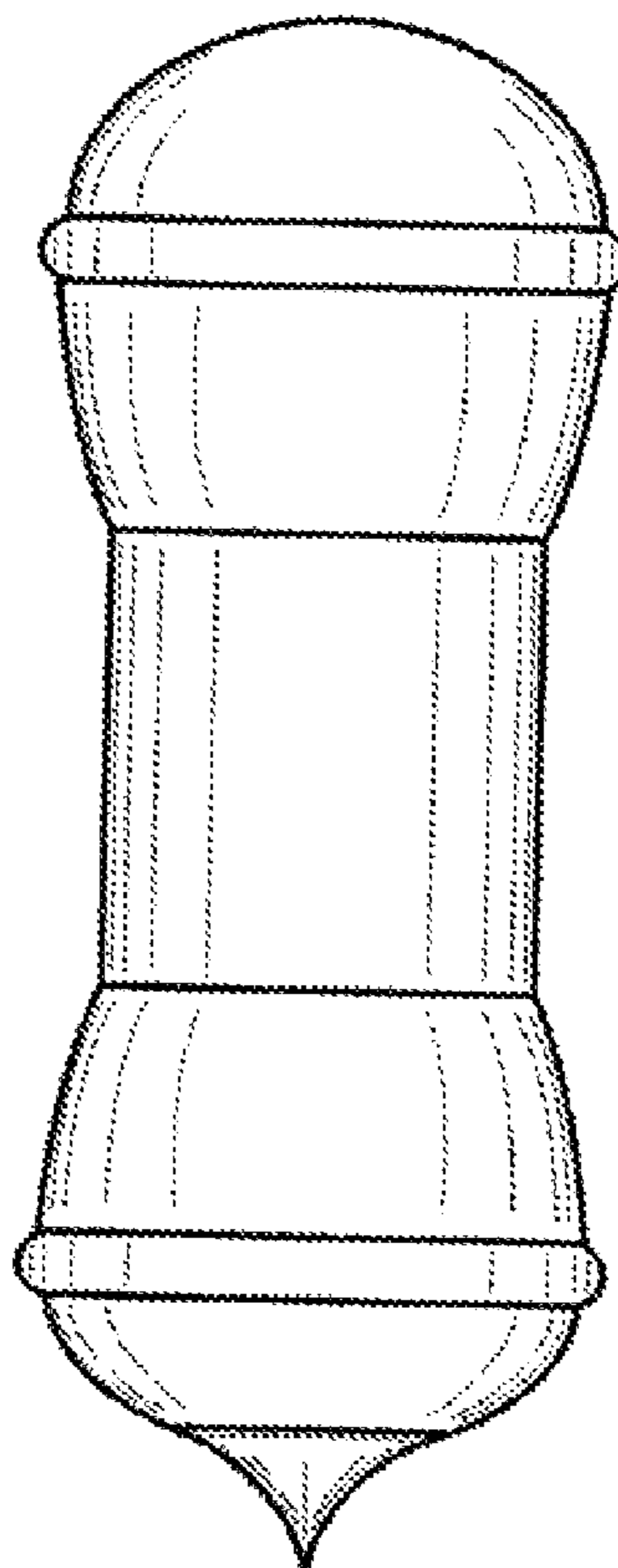


FIG. 13