



US00D633139S

(12) **United States Design Patent**  
**Park et al.**

(10) **Patent No.:** **US D633,139 S**  
(45) **Date of Patent:** **\*\* Feb. 22, 2011**

(54) **LASER PRINTER**

(75) Inventors: **Ji-Sang Park**, Kyunggi-do (KR);  
**Chung-Ha Kim**, Seoul (KR);  
**Kyong-Hwan Kim**, Seoul (KR); **Yun-Gi Hong**, Kyunggi-do (KR)

(73) Assignee: **Samsung Electronics Co., Ltd.**, Suwon, Kyunggi-do (KR)

(\*\*) Term: **14 Years**

(21) Appl. No.: **29/314,642**

(22) Filed: **Apr. 15, 2009**

(51) **LOC (9) Cl.** ..... **14-02**

(52) **U.S. Cl.** ..... **D18/55**

(58) **Field of Classification Search** ..... D18/36–39,  
D18/50, 54, 54.1, 55; D14/315, 327, 420–425,  
D14/463–470; 400/613, 613.1–613.4, 690,  
400/690.1–690.4, 691–694

See application file for complete search history.

(56) **References Cited**

**U.S. PATENT DOCUMENTS**

D326,867 S	6/1992	Kwak
D359,506 S	6/1995	Lee
D378,218 S	2/1997	Hong et al.
D527,045 S	8/2006	Lim et al.
D530,737 S	10/2006	Lim et al.
D532,043 S	11/2006	Park et al.
D536,372 S	2/2007	Lim et al.
D551,700 S	9/2007	Park et al.
D552,170 S	10/2007	Kim et al.
D555,195 S	11/2007	Park et al.
D555,722 S	11/2007	Bae et al.
D556,253 S	11/2007	Hong et al.
D556,822 S	12/2007	Hong et al.
D558,261 S	12/2007	Hong et al.
D558,262 S	12/2007	Hong et al.
D558,820 S	1/2008	Hong et al.
D561,248 S	2/2008	Lee et al.
D561,824 S	2/2008	Park et al.
D562,378 S	2/2008	Kim et al.

D573,178 S	7/2008	Lee et al.
D573,179 S	7/2008	Bae et al.
D578,494 S *	10/2008	Hattori ..... D18/55
D580,483 S	11/2008	Park et al.
D581,976 S	12/2008	Park et al.
D584,344 S	1/2009	Lee et al.
D584,347 S	1/2009	Hong et al.
D584,348 S	1/2009	Boo et al.
D586,385 S	2/2009	Kim et al.
D607,925 S *	1/2010	Morrison et al. .... D18/50
D607,927 S *	1/2010	Kim et al. .... D18/55

**OTHER PUBLICATIONS**

U.S. Appl. No. 29/294,097, Applicant: Hee-Yul Kim, et al., filed Dec. 21, 2007 entitled Laser Printer.

U.S. Appl. No. 29/294,093, Applicant: Hee-Yul Kim, et al, filed Dec. 21, 2007 entitled Laser Printer.

(Continued)

*Primary Examiner*—Cathy Anne MacCormac

(74) *Attorney, Agent, or Firm*—Flynn, Thiel, Boutell & Tanis, P.C.

(57) **CLAIM**

The ornamental design for a laser printer, as shown and described.

**DESCRIPTION**

FIG. 1 is a top front perspective view of a laser printer showing our new design;

FIG. 2 is a front elevational view thereof;

FIG. 3 is a rear elevational view thereof;

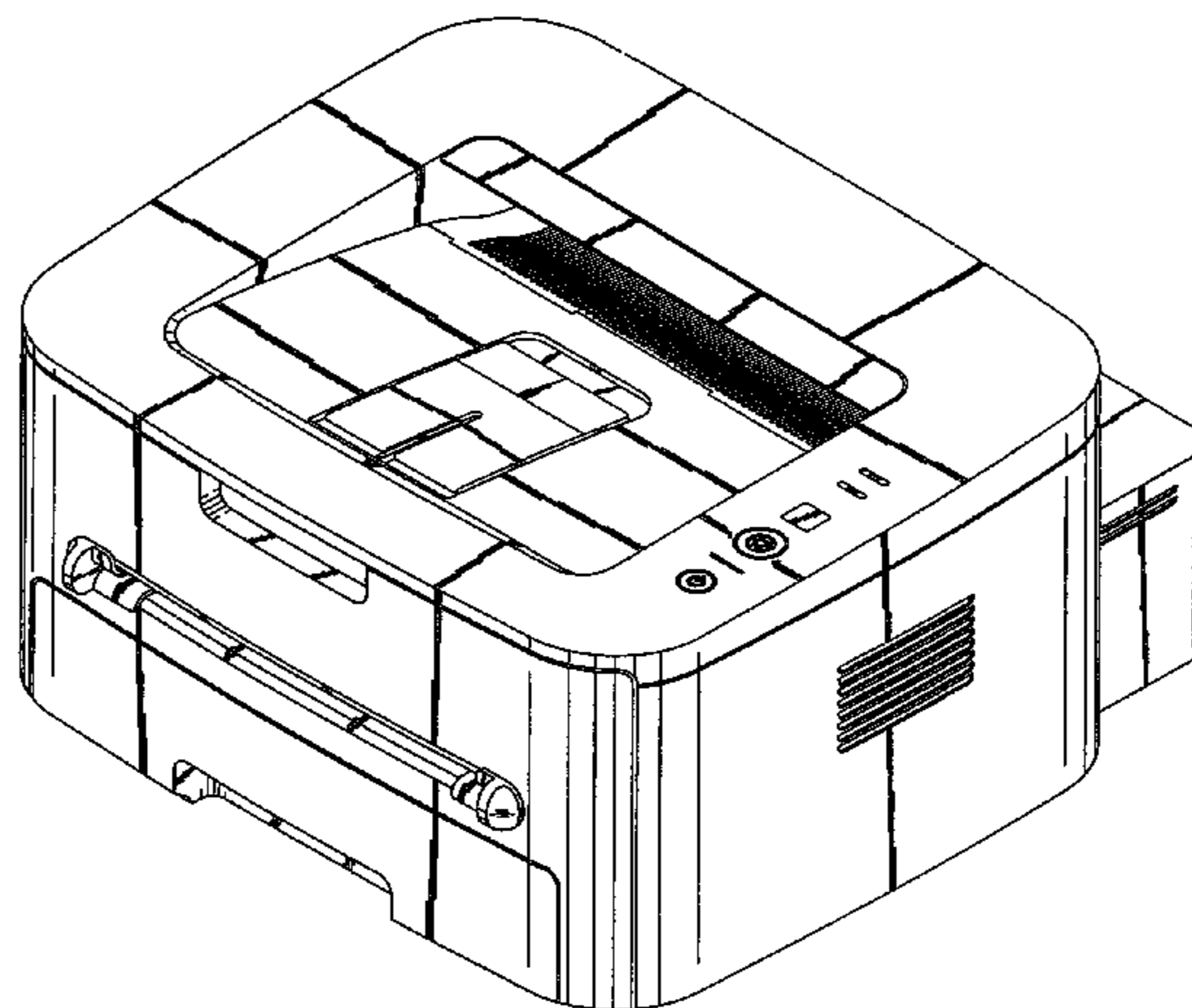
FIG. 4 is a left side elevational view thereof;

FIG. 5 is a right side elevational view thereof;

FIG. 6 is a top plan view thereof; and,

FIG. 7 is a bottom plan view thereof.

**1 Claim, 5 Drawing Sheets**



OTHER PUBLICATIONS

U.S. Appl. No. 29/293,252, Applicant: Ji-Sang Park, et al, filed Nov. 13, 2007 entitled Color Laser Printer.

U.S. Appl. No. 29/307,999, Applicant: Son-Young Lee, et al., filed May 22, 2008 entitled Laser Printer.

U.S. Appl. No. 29/308,001, Applicant: Kyong-Hwan Kim, et al., filed May 22, 2008 entitled Color Laser Printer.

U.S. Appl. No. 29/308,018, Applicant: Kyong-Hwan Kim, et al., filed May 22, 2008 entitled Laser Printer.

U.S. Appl. No. 29/313,583, Applicant: Jong-Kyu Kim, et al., filed Jan. 23, 2009 entitled Copy Machine Attached by Function of Scanner and Printer.

U.S. Appl. No. 29/313,861, Applicant: Hee-Yul Kim, filed Feb. 17, 2009 entitled Copy Machine Attached by Function of Scanner and Printer.

U.S. Appl. No. 29/314,206, Applicant: Ji-Sang Park, et al., filed Mar. 13, 2009 entitled Laser Printer.

U.S. Appl. No. 29/314,647, Applicant: Ji-Sang Park, et al., filed Apr. 15, 2009 entitled Laser Complex.

\* cited by examiner

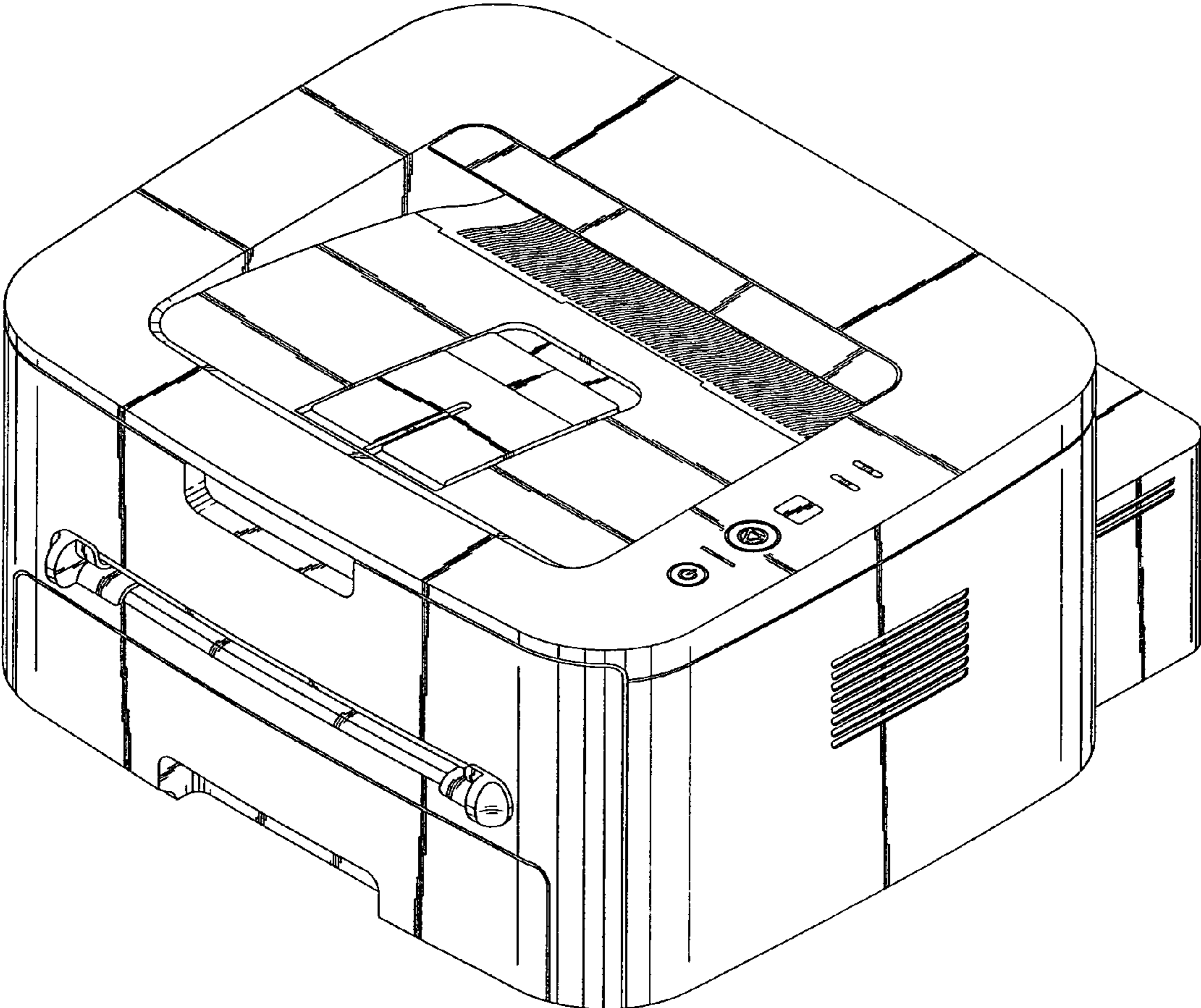


FIG. 1

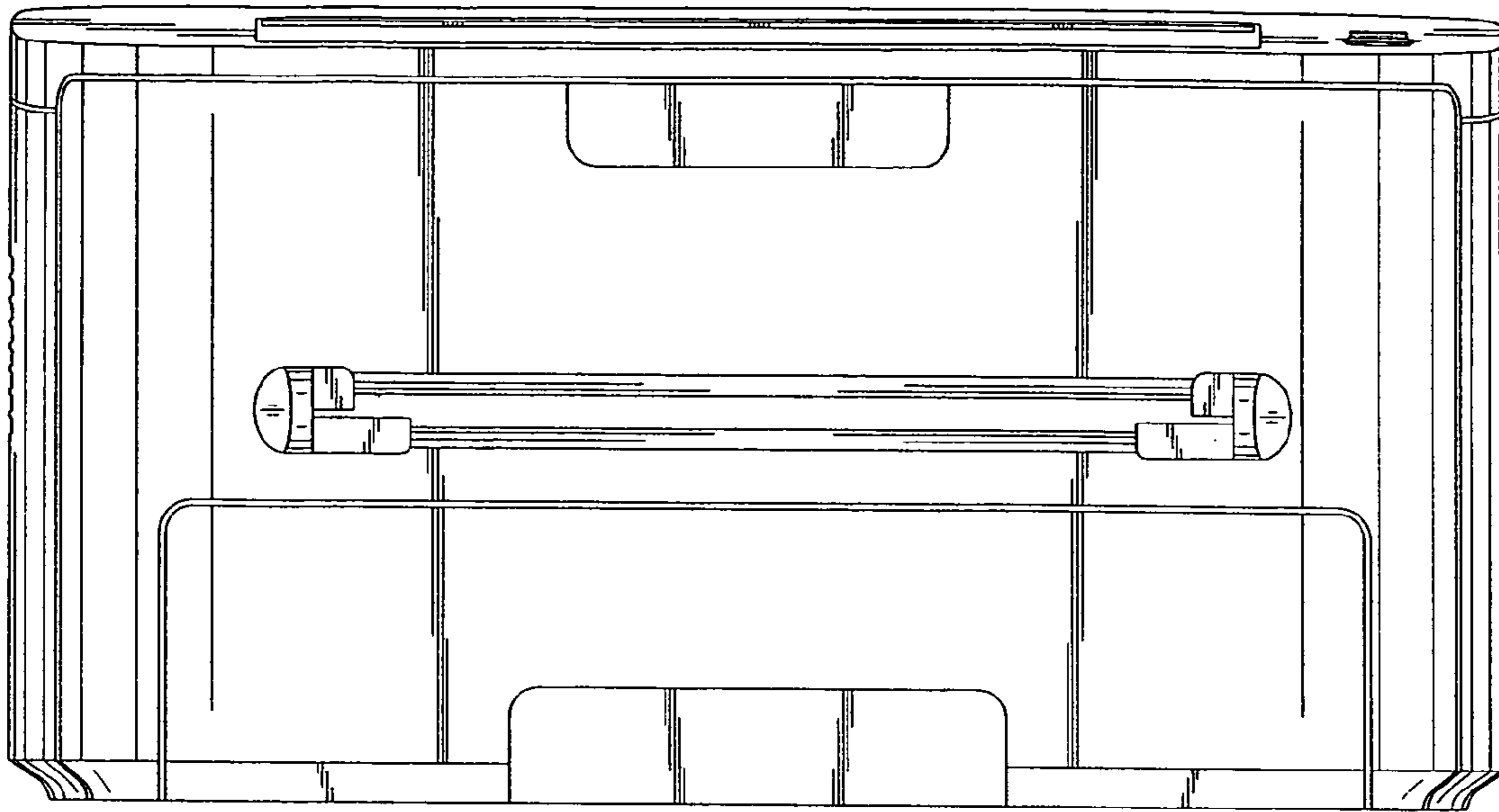


FIG. 2

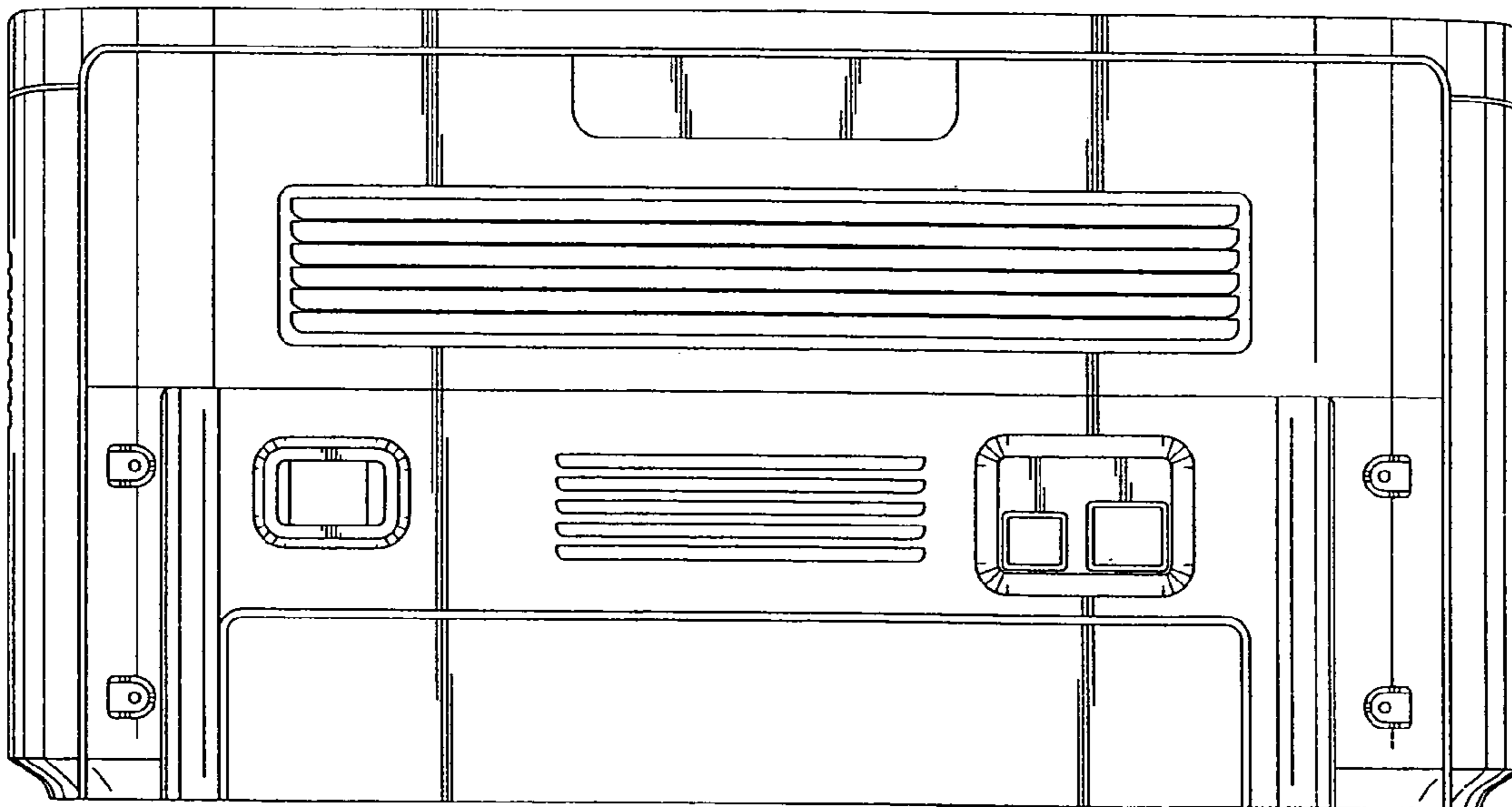


FIG. 3



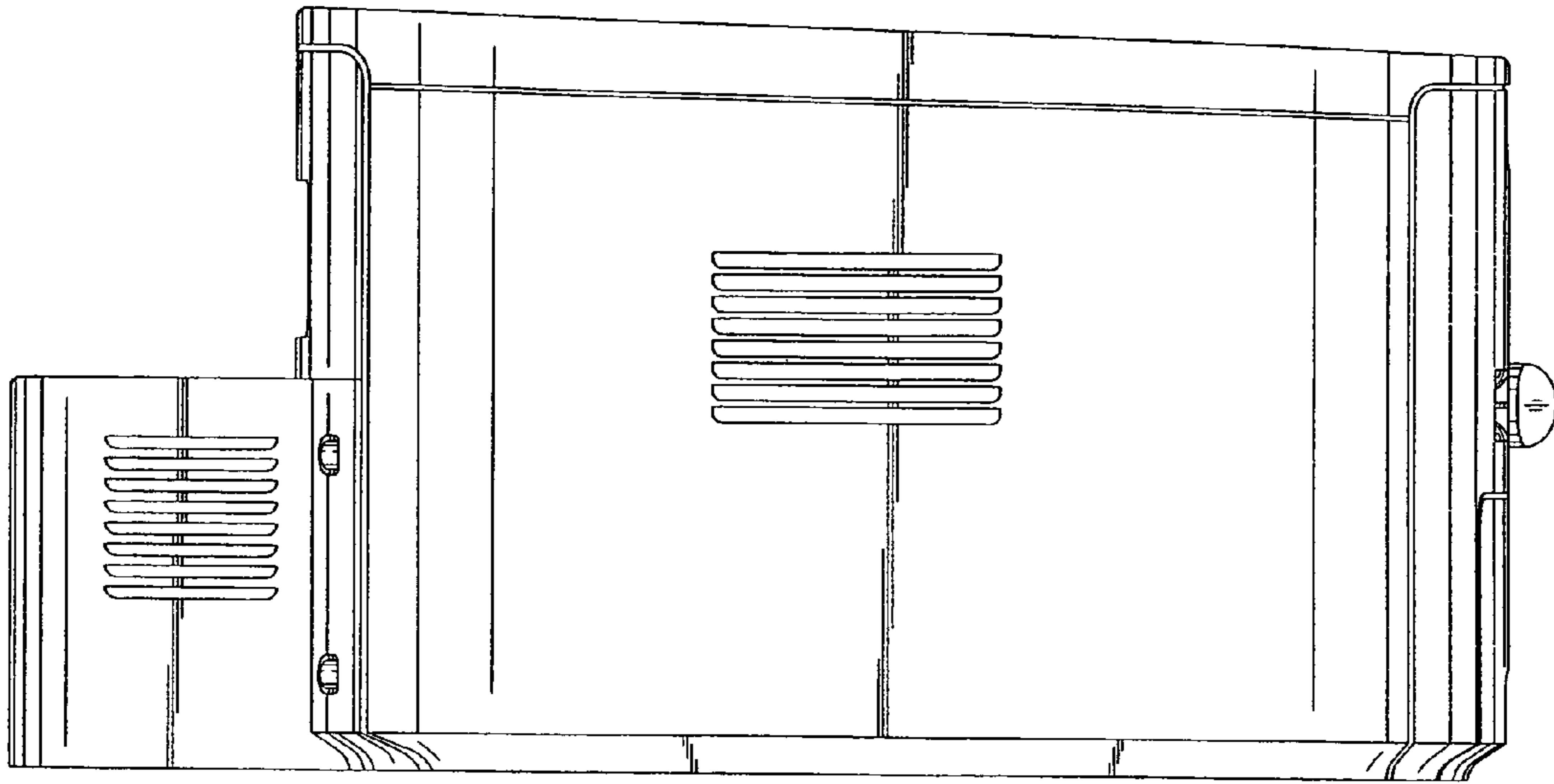


FIG. 4

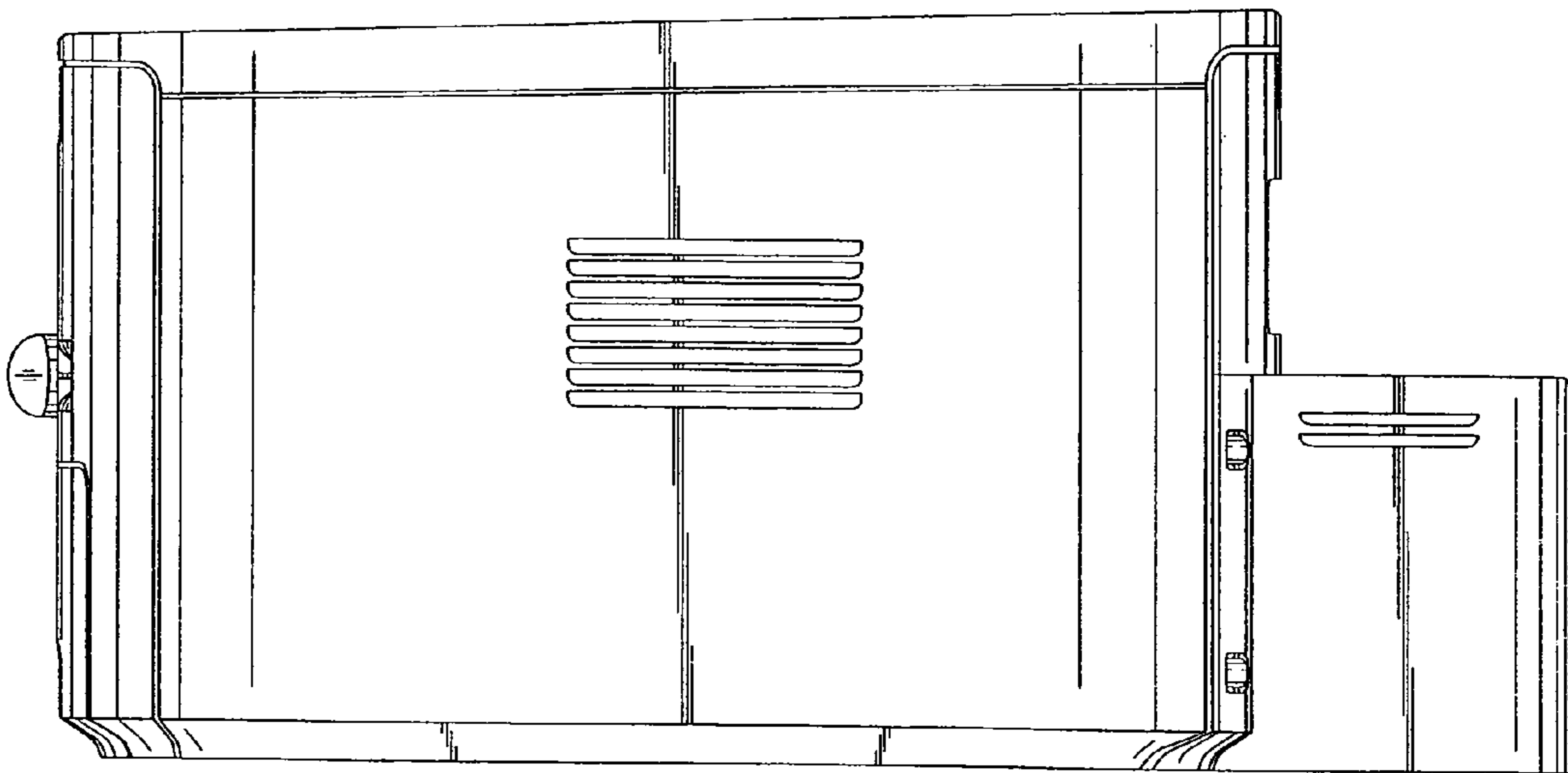


FIG. 5

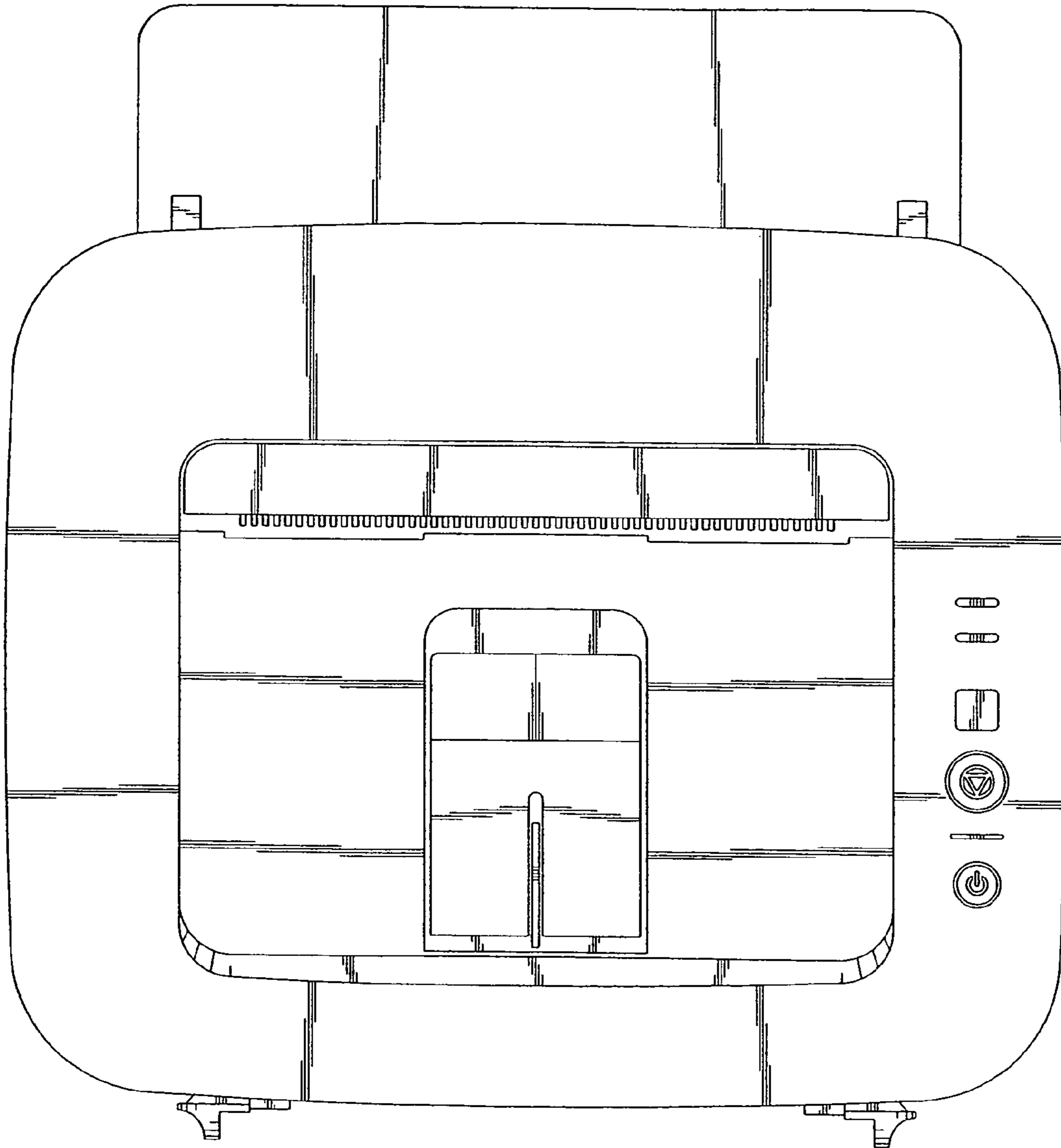


FIG. 6

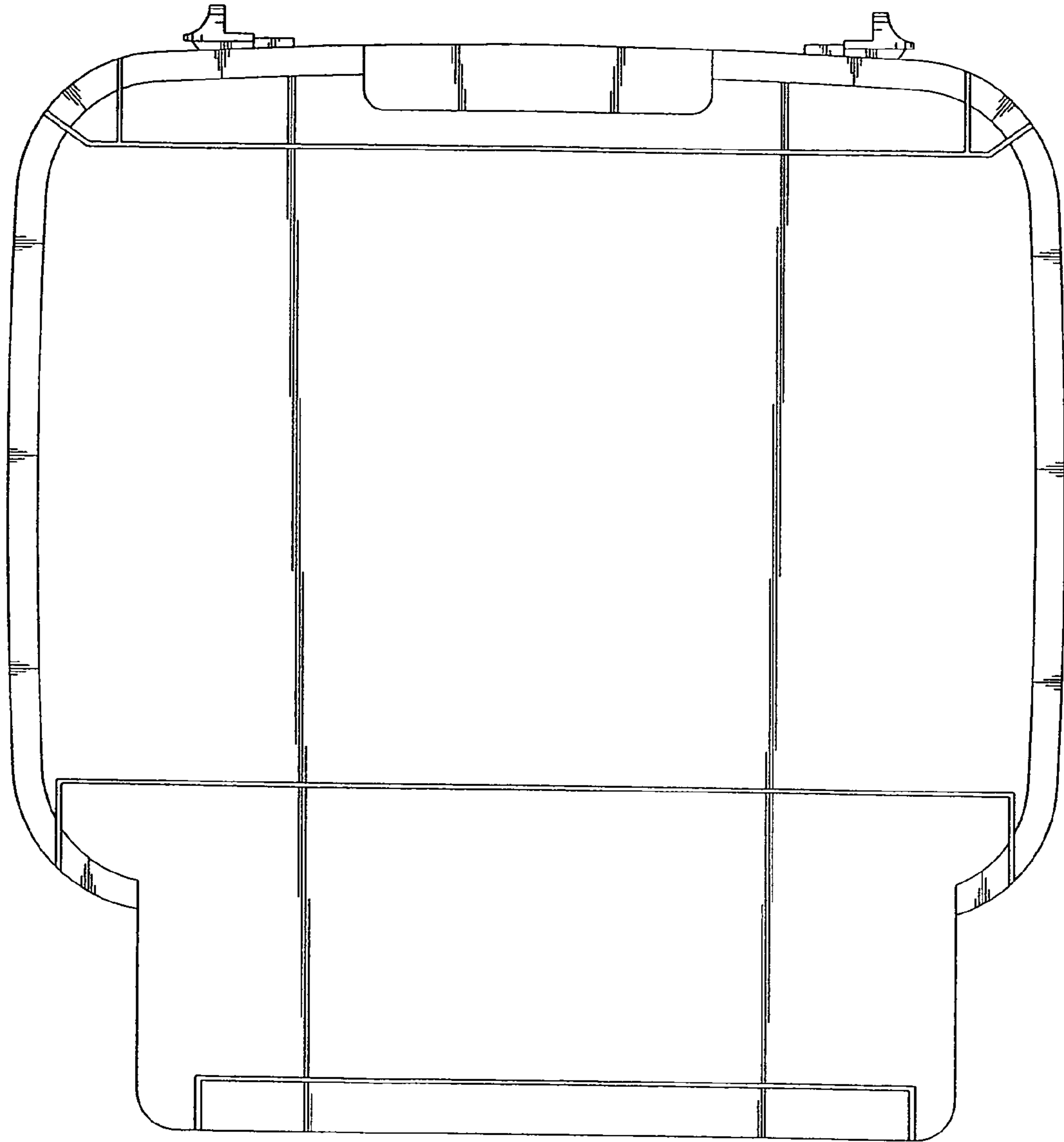


FIG. 7