



US00D633126S

(12) **United States Design Patent**
Park

(10) **Patent No.:** **US D633,126 S**

(45) **Date of Patent:** **** Feb. 22, 2011**

(54) **VISUAL PRESENTER**

(75) Inventor: **Ho-jin Park**, Changwon (KR)

(73) Assignee: **Samsung Techwin Co., Ltd.**, Changwon (KR)

(**) Term: **14 Years**

(21) Appl. No.: **29/357,922**

(22) Filed: **Mar. 19, 2010**

(51) **LOC (9) Cl.** **16-02**

(52) **U.S. Cl.** **D16/232; D14/423**

(58) **Field of Classification Search** D16/200,
D16/203, 208, 221, 225, 229, 232, 233; D14/423;
353/119, 112, 120, DIG. 3, DIG. 4, DIG. 6;
348/46, 373-376

See application file for complete search history.

(56) **References Cited**

U.S. PATENT DOCUMENTS

D425,098	S	*	5/2000	Oh	D16/232
D569,890	S	*	5/2008	Sukenari et al.	D16/232
D580,962	S	*	11/2008	Sukenari et al.	D16/232
7,545,436	B2	*	6/2009	Lee et al.	348/373
D603,889	S	*	11/2009	Sukenari et al.	D16/232

D607,482	S	*	1/2010	Inoue et al.	D16/232
7,710,497	B2	*	5/2010	Sukenari et al.	348/375
2010/0188562	A1	*	7/2010	Yamakose et al.	348/373

* cited by examiner

Primary Examiner—Ian Simmons

Assistant Examiner—Wan Laymon

(74) *Attorney, Agent, or Firm*—Drinker Biddle & Reath LLP

(57) **CLAIM**

The ornamental design for a visual presenter, as shown and described.

DESCRIPTION

FIG. 1 is a front perspective view of a visual presenter showing my new design;

FIG. 2 is a front elevational view of the visual presenter;

FIG. 3 is a rear elevational view of the visual presenter;

FIG. 4 is a left side elevational view of the visual presenter;

FIG. 5 is a right side elevational view of the visual presenter;

FIG. 6 is a top plan view of the visual presenter; and,

FIG. 7 is a bottom plan view of the visual presenter.

1 Claim, 7 Drawing Sheets

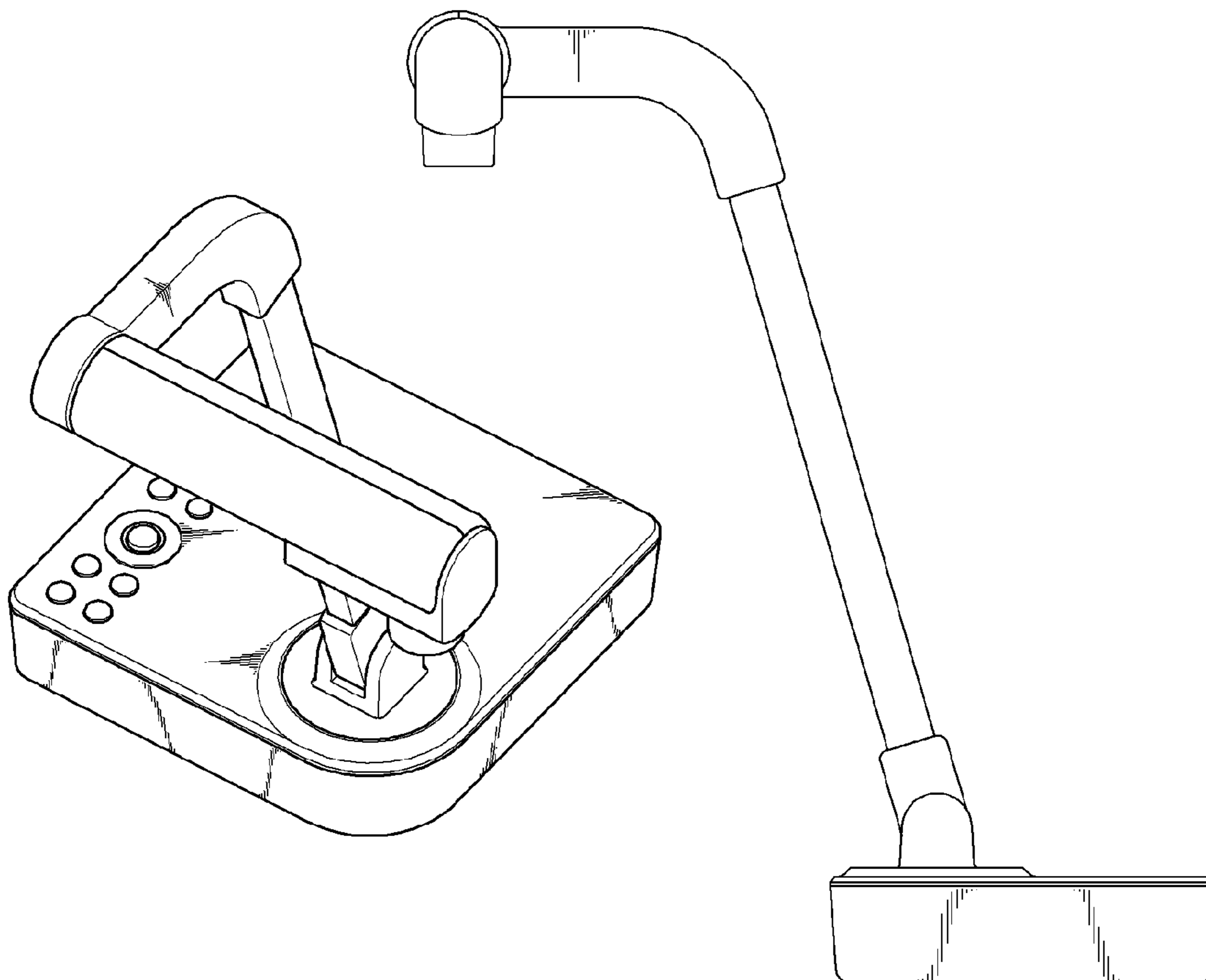


FIG. 1

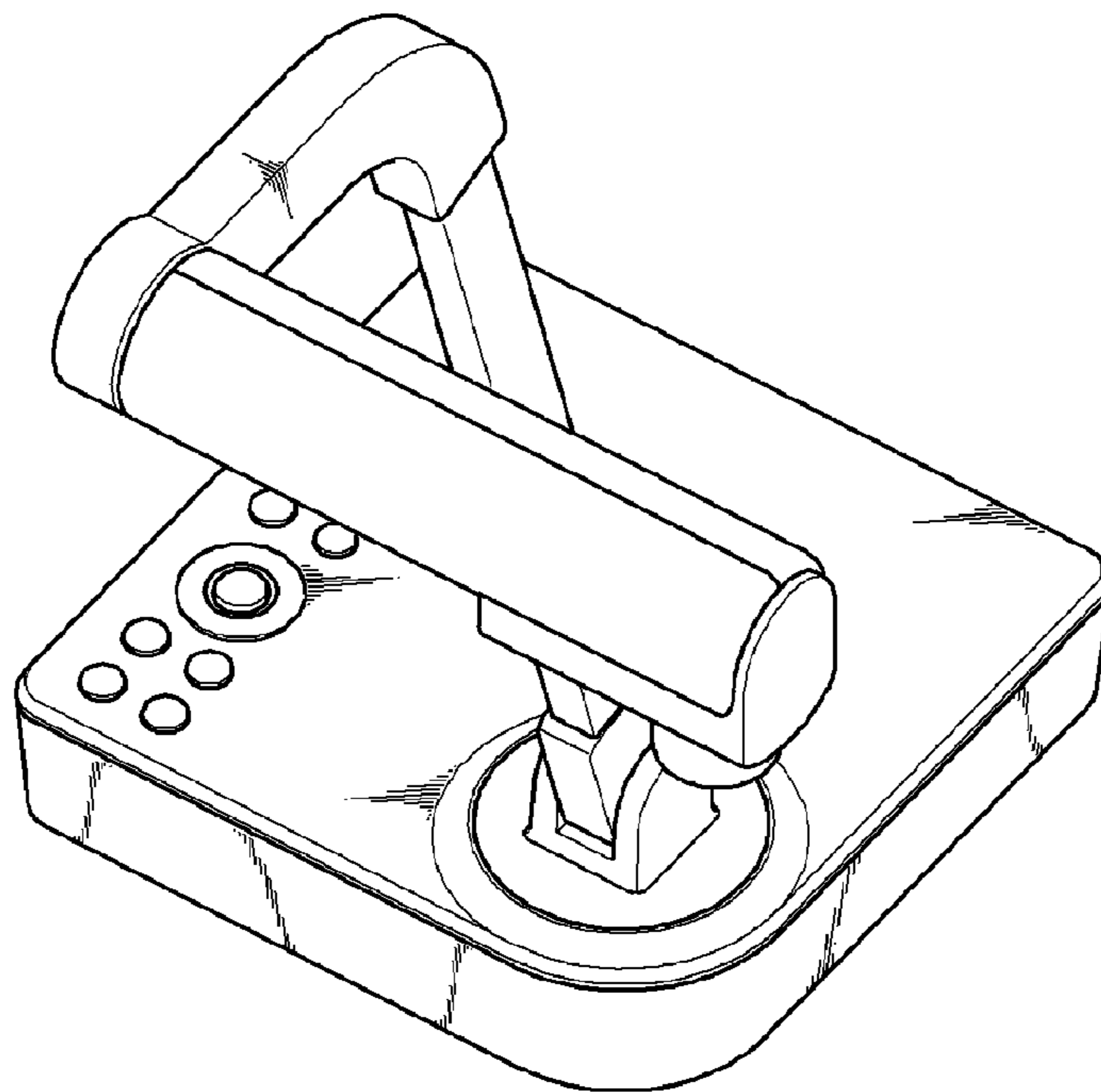


FIG. 2

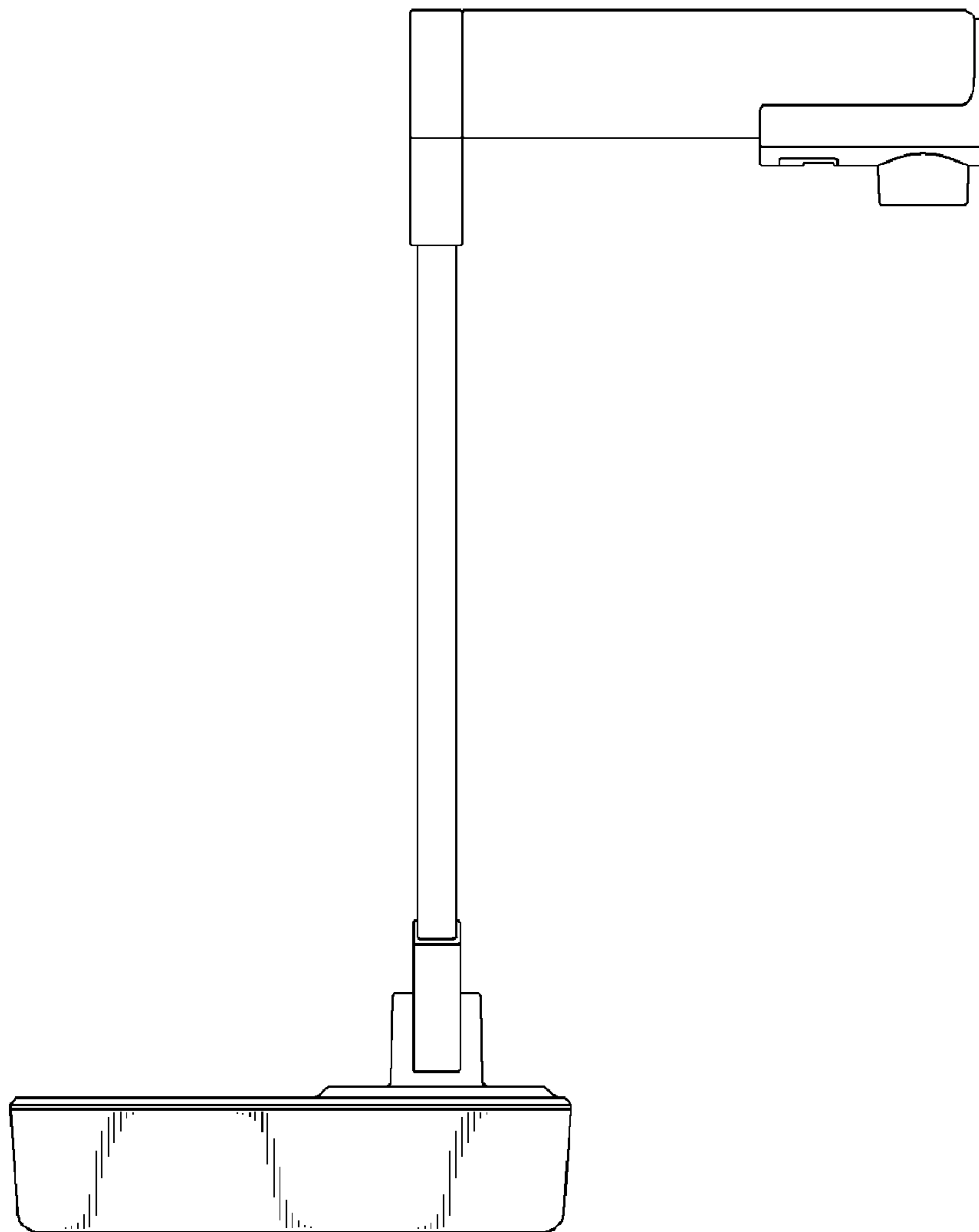


FIG. 3

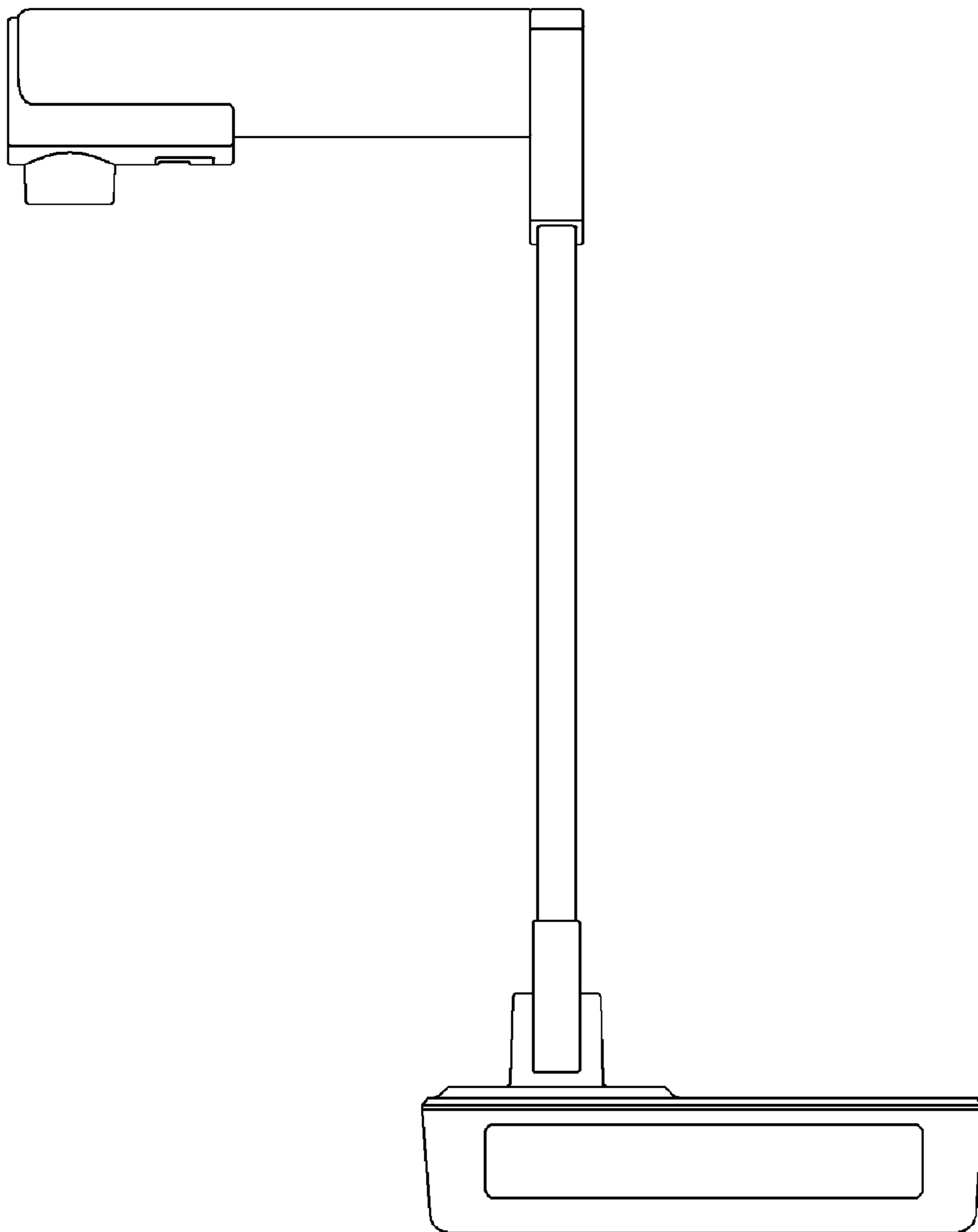


FIG. 4

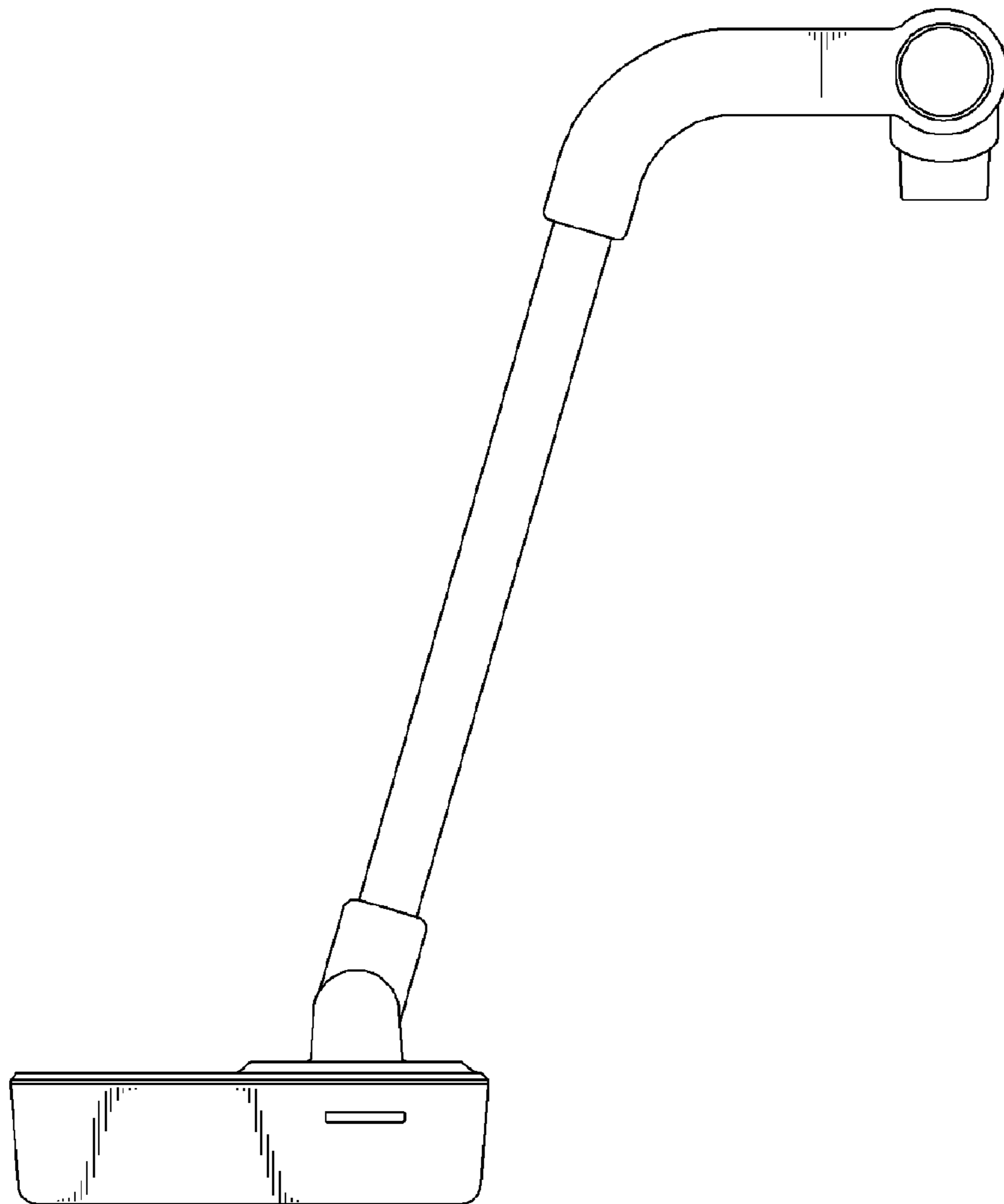


FIG. 5

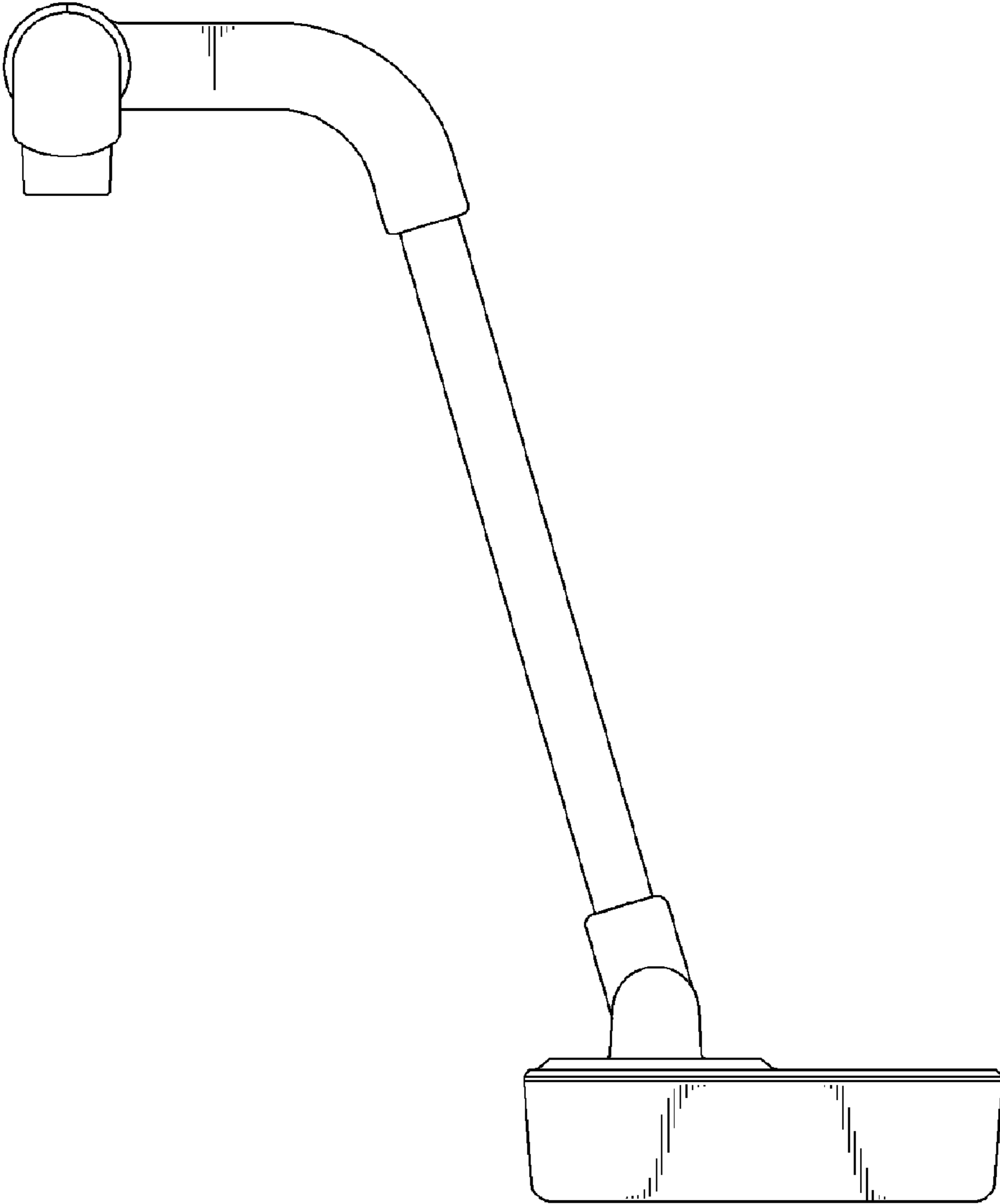


FIG. 6

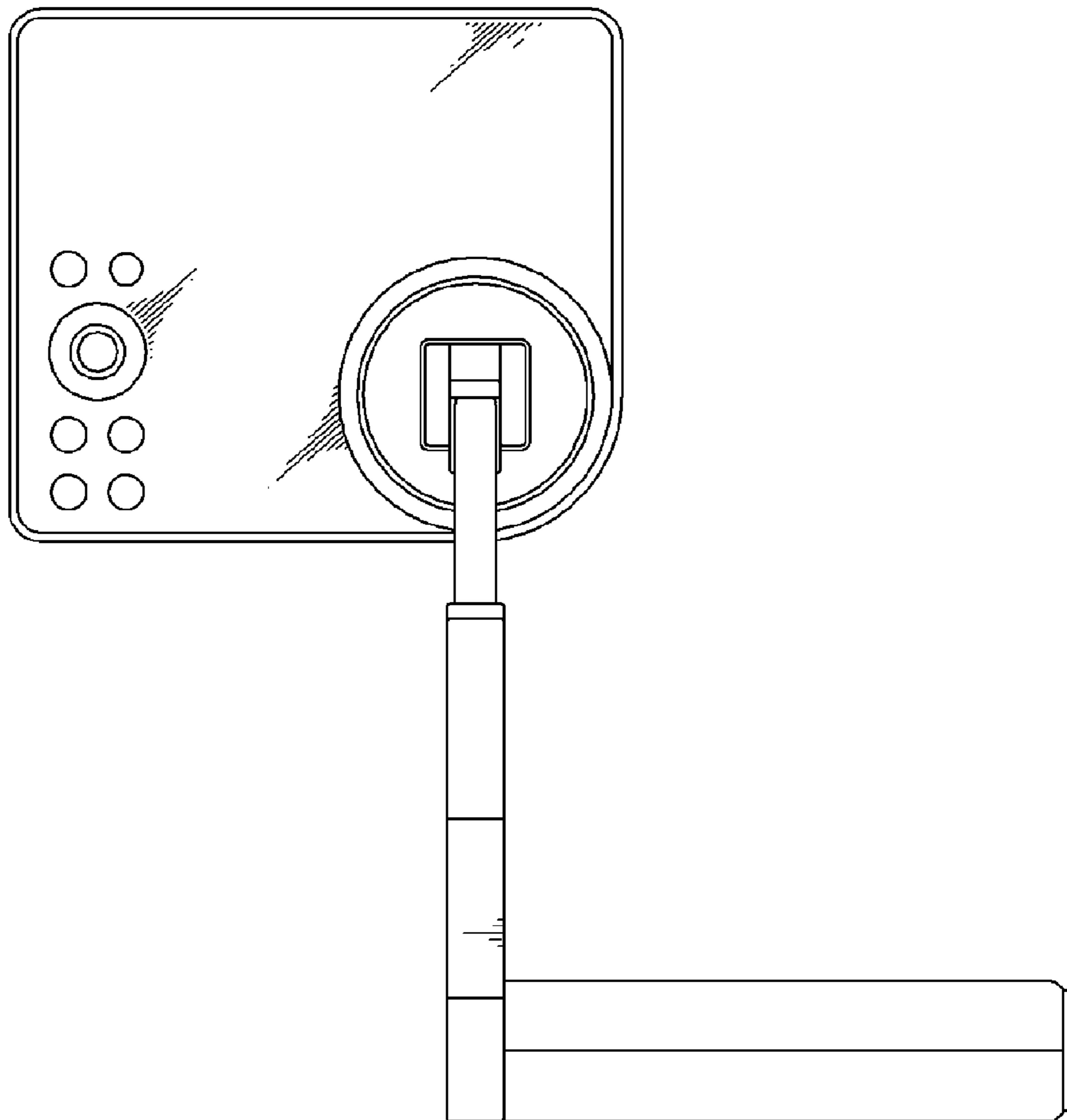


FIG. 7

