



US00D633125S

(12) **United States Design Patent**
Han

(10) **Patent No.:** **US D633,125 S**

(45) **Date of Patent:** **** Feb. 22, 2011**

(54) **PROJECTOR**

(75) Inventor: **Kyu-Mi Han**, Seoul (KR)

(73) Assignee: **Samsung Electronics Co., Ltd.**, Suwon, Kyunggi-do (KR)

(**) Term: **14 Years**

(21) Appl. No.: **29/349,426**

(22) Filed: **Apr. 1, 2010**

(51) **LOC (9) Cl.** **16-02**

(52) **U.S. Cl.** **D16/230; D16/225**

(58) **Field of Classification Search** D16/205,
D16/208, 221, 225, 230-231, 234; D21/514;
353/115, 119, 122

See application file for complete search history.

(56) **References Cited**

U.S. PATENT DOCUMENTS

D397,709 S	9/1998	Park et al.	
D401,953 S	12/1998	Oh et al.	
D401,954 S	12/1998	Oh et al.	
D442,983 S *	5/2001	Goto et al.	D16/230
D480,409 S *	10/2003	Wang et al.	D16/230
D488,179 S *	4/2004	Salvatori et al.	D16/230
D494,995 S	8/2004	Kim et al.	
D523,058 S *	6/2006	On et al.	D16/230
D531,654 S *	11/2006	Lin et al.	D16/230
D545,865 S *	7/2007	Azuma et al.	D16/230
D546,864 S	7/2007	Kim	
D555,697 S *	11/2007	Kawabe et al.	D16/230
D557,316 S	12/2007	Bang et al.	
D579,476 S *	10/2008	Yamada et al.	D16/230
D581,963 S	12/2008	Kang et al.	
D584,327 S	1/2009	Kang et al.	

D600,735 S *	9/2009	Chigira et al.	D16/225
D602,513 S	10/2009	Kim et al.	
D610,187 S	2/2010	Kim et al.	
D616,010 S *	5/2010	Song et al.	D16/230

OTHER PUBLICATIONS

U.S. Appl. No. 29/314,208, Applicant: Jae-Seung Song, et al., filed Mar. 13, 2009 entitled Projector.

U.S. Appl. No. 29/316,949, Applicant: Kyu-Mi Han, filed Nov. 12, 2009 entitled Projector.

* cited by examiner

Primary Examiner—Ian Simmons

Assistant Examiner—Wan Laymon

(74) *Attorney, Agent, or Firm*—Flynn, Theil, Boutell & Tanis, P.C.

(57) **CLAIM**

The ornamental design for a projector, as shown and described.

DESCRIPTION

FIG. 1 is a top front perspective view of a projector showing my new design;

FIG. 2 is an enlarged front elevational view thereof;

FIG. 3 is an enlarged rear elevational view thereof;

FIG. 4 is an enlarged left side elevational view thereof;

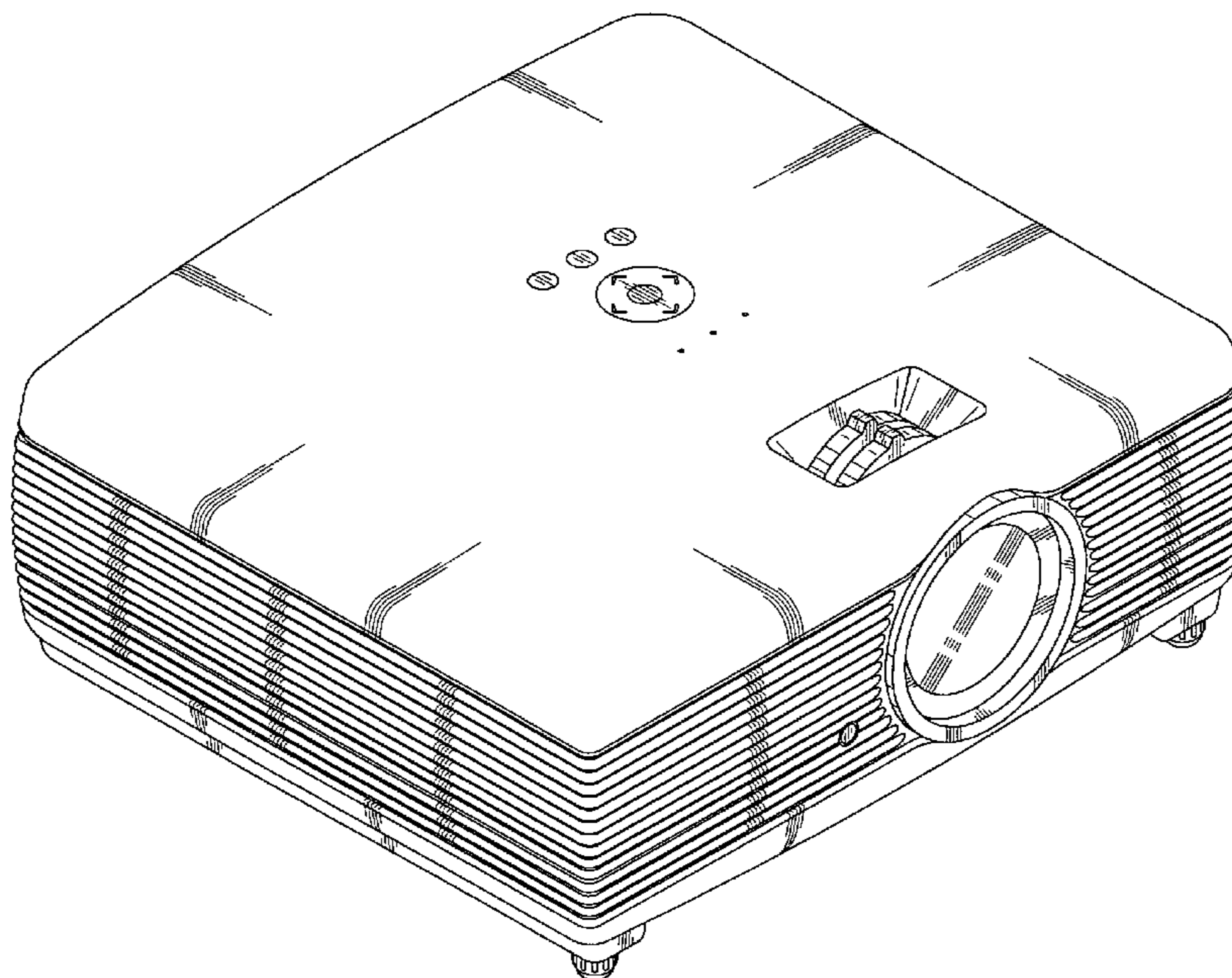
FIG. 5 is an enlarged right side elevational view thereof;

FIG. 6 is an enlarged top plan view thereof; and,

FIG. 7 is an enlarged bottom plan view thereof.

The broken lines showing portions of a projector are included for the purpose of illustrating environmental structure and form no part of the claimed design.

1 Claim, 5 Drawing Sheets



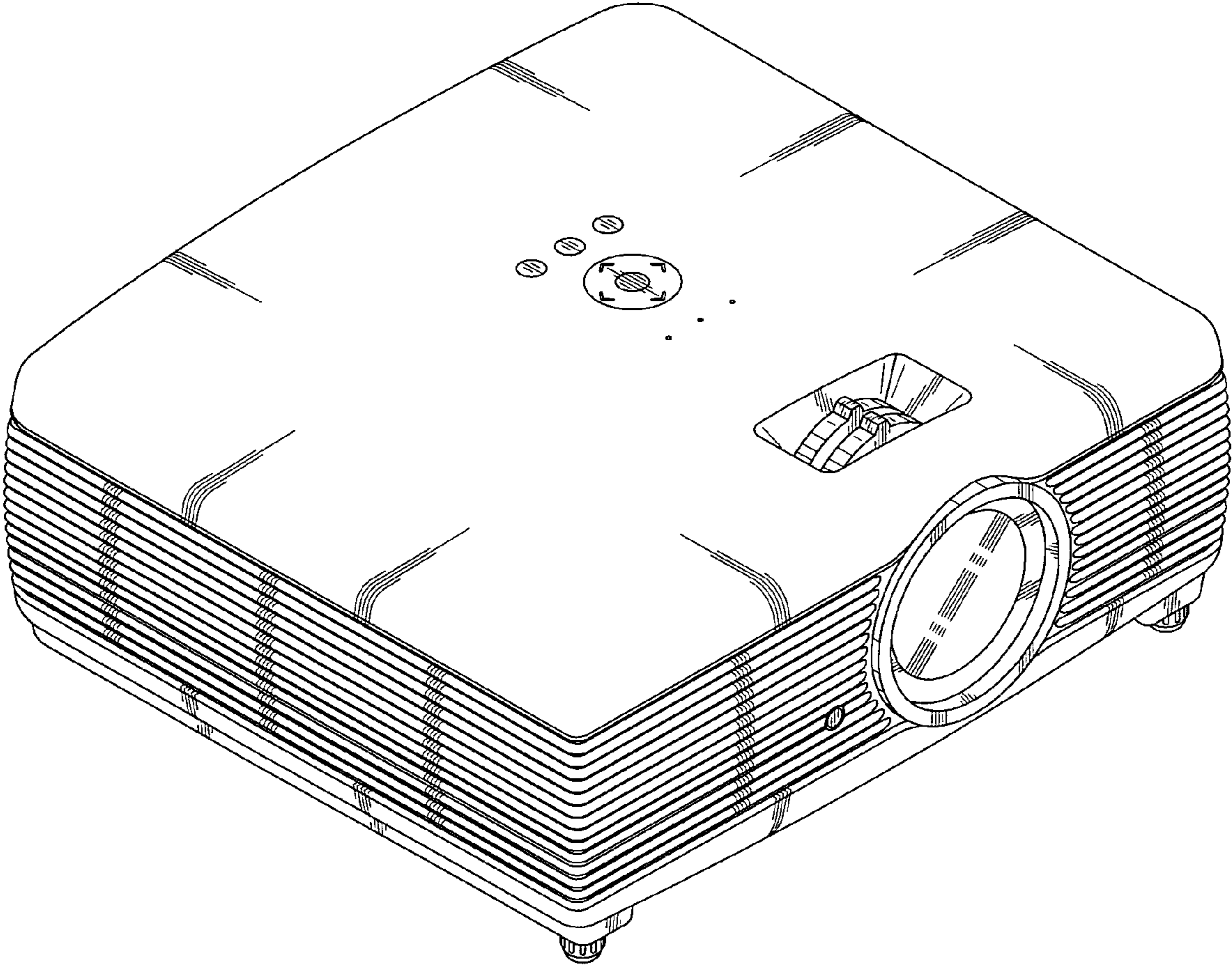


FIG.1

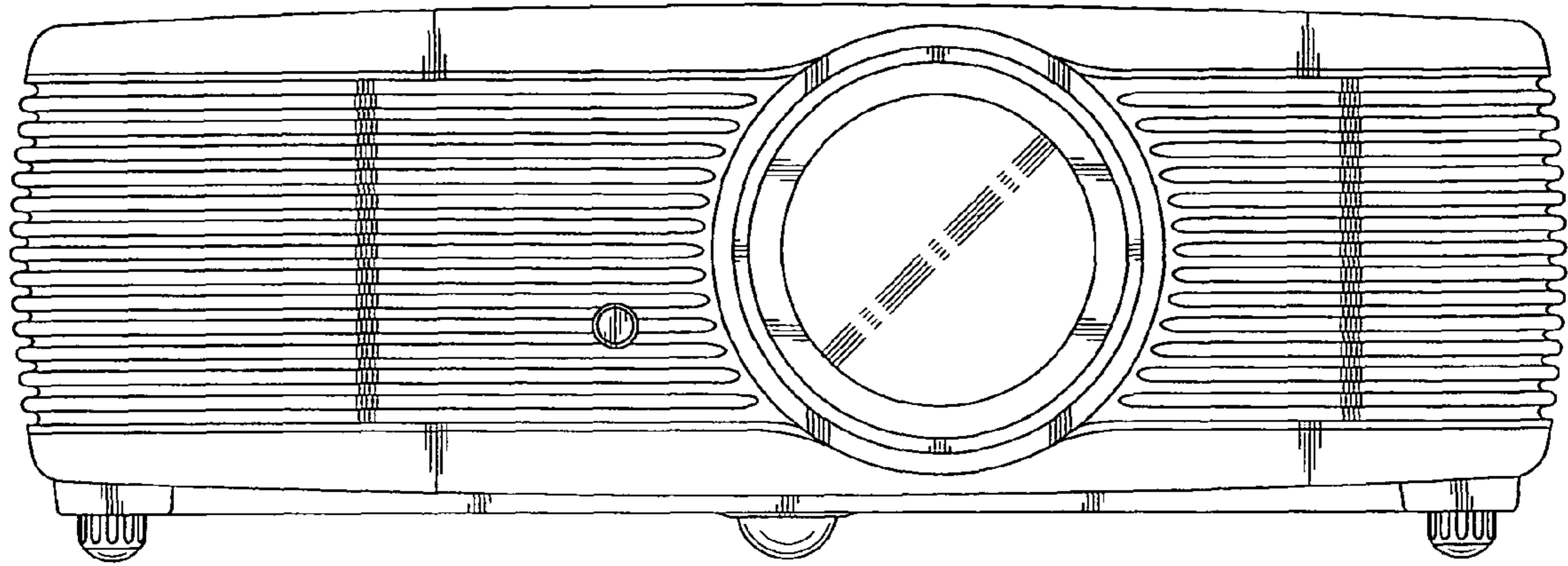


FIG. 2

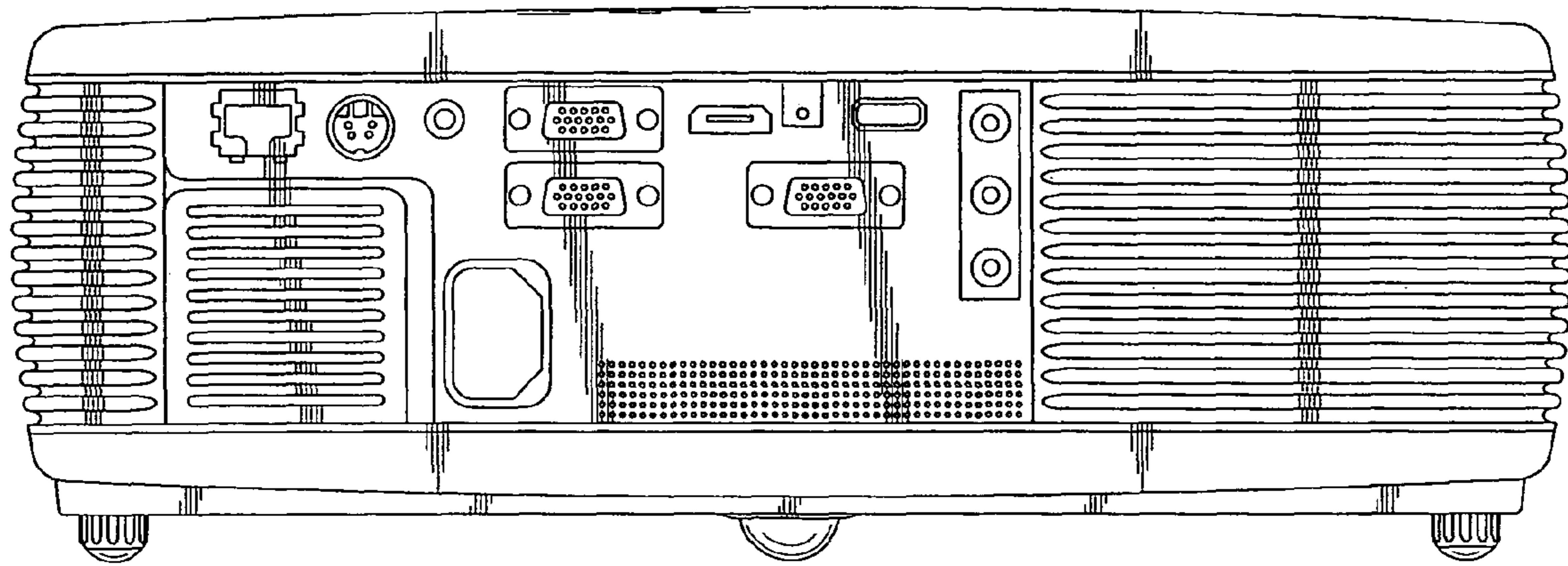


FIG. 3

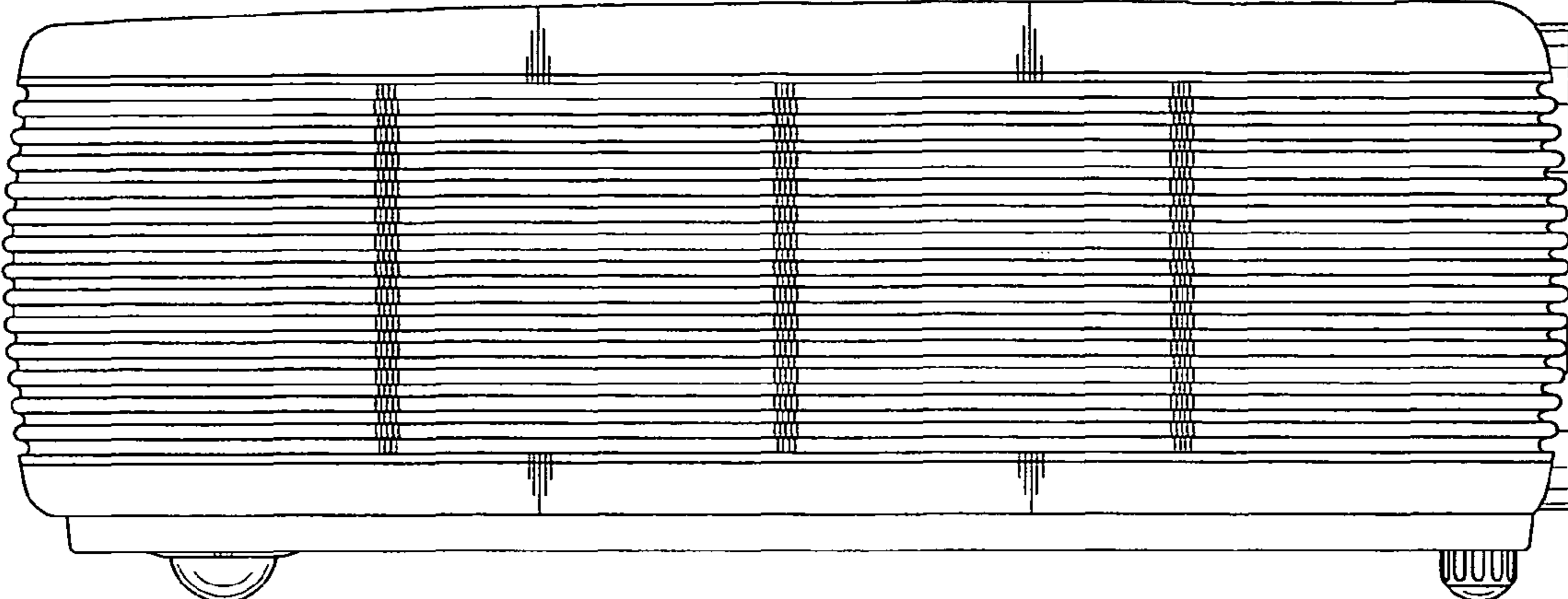


FIG. 4

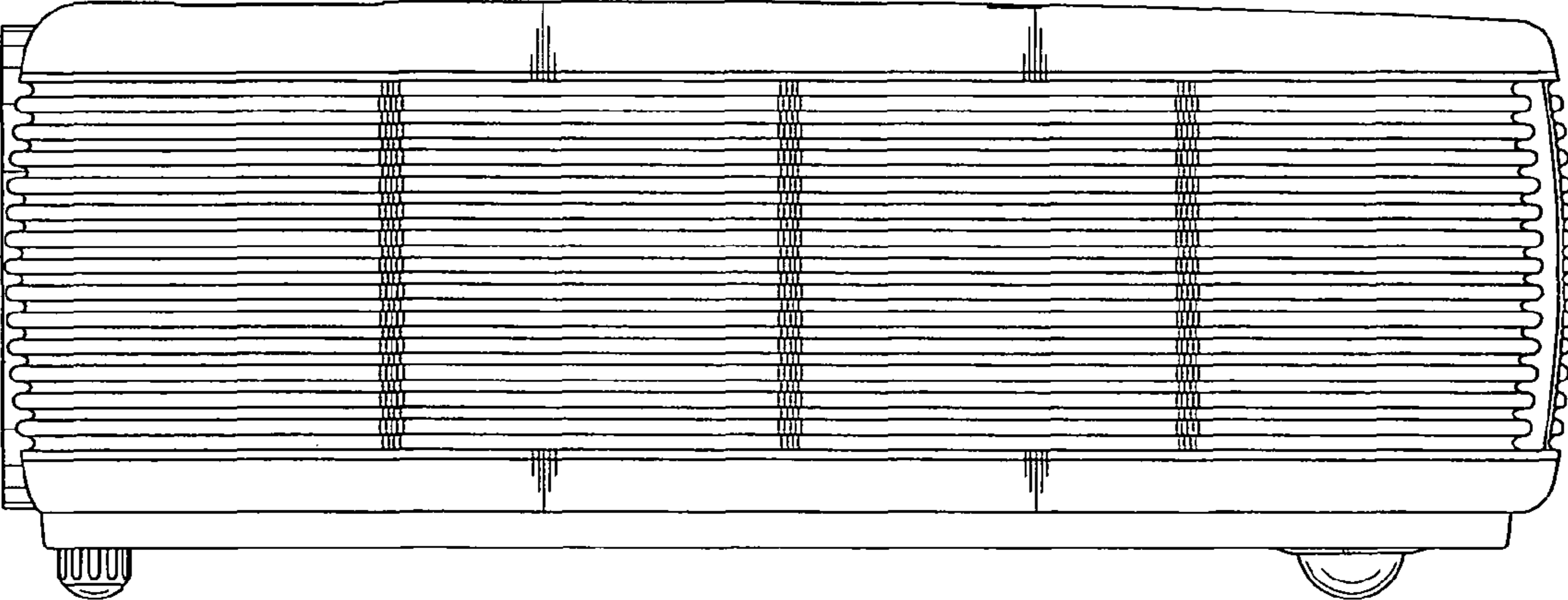


FIG. 5

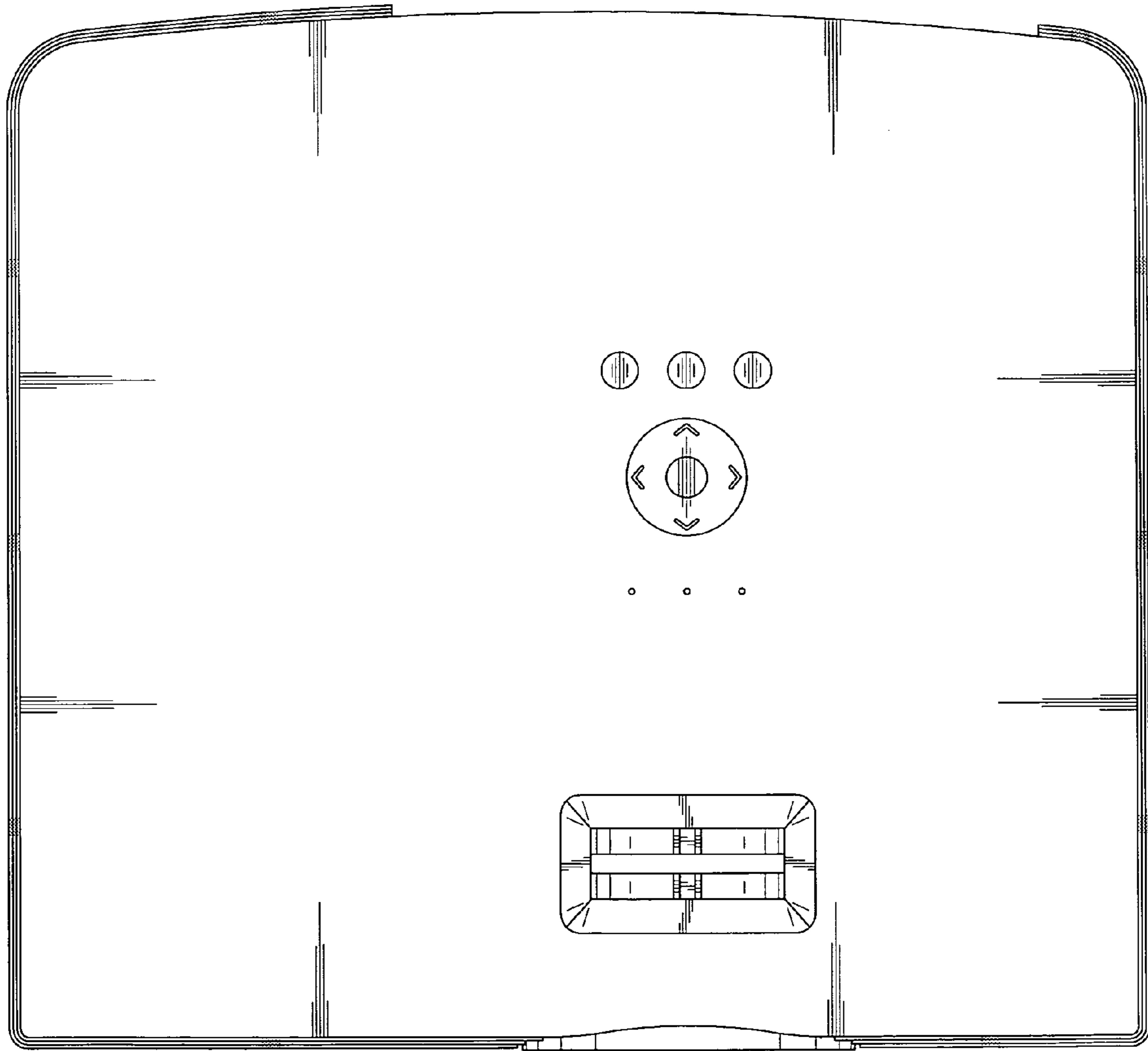


FIG.6

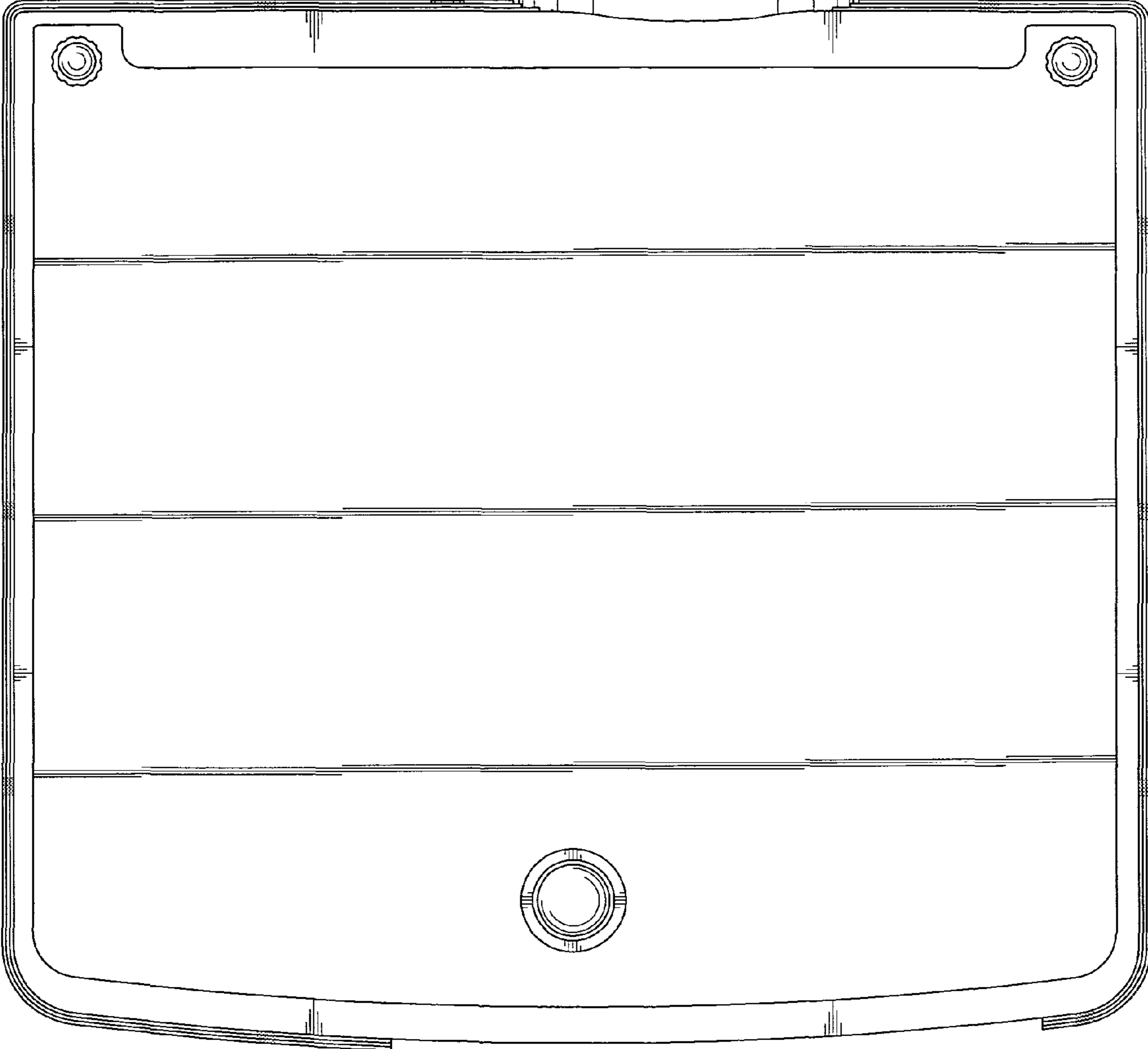


FIG.7