



US00D633124S

(12) **United States Design Patent**
Cacioppo et al.

(10) **Patent No.:** **US D633,124 S**
(45) **Date of Patent:** **** Feb. 22, 2011**

(54) **PROJECTOR**

(75) Inventors: **Christopher M. Cacioppo**, Somerville, MA (US); **Manuel Perez**, Somerville, MA (US); **Hector Padilla**, Chelsea, MA (US); **Timothy Higgins**, Allston, MA (US); **Louis Frank Genatossio**, Shrewsbury, MA (US); **Kevin Desmarais**, Framingham, MA (US)

(73) Assignee: **Sanford, L.P.**, Oak Brook, IL (US)

(**) Term: **14 Years**

(21) Appl. No.: **29/352,996**

(22) Filed: **Dec. 30, 2009**

(51) **LOC (9) Cl.** **16-02**

(52) **U.S. Cl.** **D16/221**

(58) **Field of Classification Search** D16/201, D16/207-208, 210, 214, 22, 229, 230, 231, D16/233, 235, 225, 232; D14/423; 353/87, 353/119, 122, 30-31, 33, 94, 100, 101; 348/745, 348/747; 359/694-695; D26/35, 43, 69-70, D26/51, 58; D6/399; 362/287, 418-419, 362/410, 414, 427

See application file for complete search history.

(56) **References Cited**

U.S. PATENT DOCUMENTS

D163,504 S *	5/1951	Wottring	D16/222
2,780,134 A *	2/1957	Blanks	348/744
3,472,586 A *	10/1969	Zuili	353/30
D320,030 S *	9/1991	Allen	D16/235
5,426,471 A *	6/1995	Tanaka et al.	348/745
5,537,169 A *	7/1996	Park	353/101

5,618,094 A *	4/1997	Lee	353/101
5,648,878 A *	7/1997	Park	359/809
D495,355 S *	8/2004	Mudd et al.	D16/232
D518,081 S *	3/2006	Peard et al.	D16/225
D554,685 S *	11/2007	Ishikawa et al.	D16/221
D597,119 S *	7/2009	Young et al.	D16/221

* cited by examiner

Primary Examiner—Ian Simmons

Assistant Examiner—Wan Laymon

(74) *Attorney, Agent, or Firm*—Marshall, Gerstein & Borun LLP

(57) **CLAIM**

The ornamental design for a projector, as shown and described.

DESCRIPTION

FIG. 1 is a perspective view of a projector showing our new design;

FIG. 2 is a front view thereof;

FIG. 3 is a back view thereof;

FIG. 4 is an enlarged right side thereof;

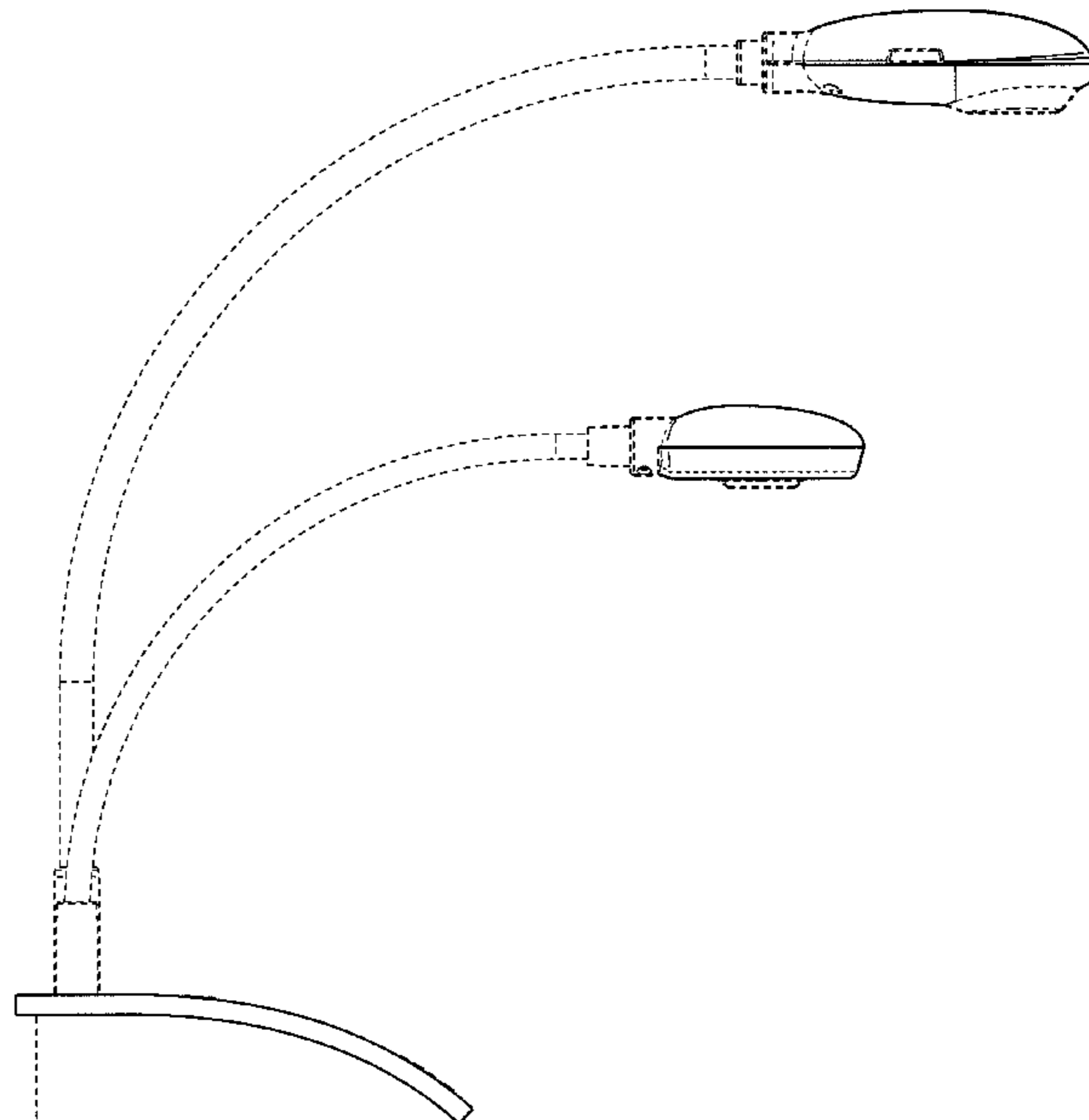
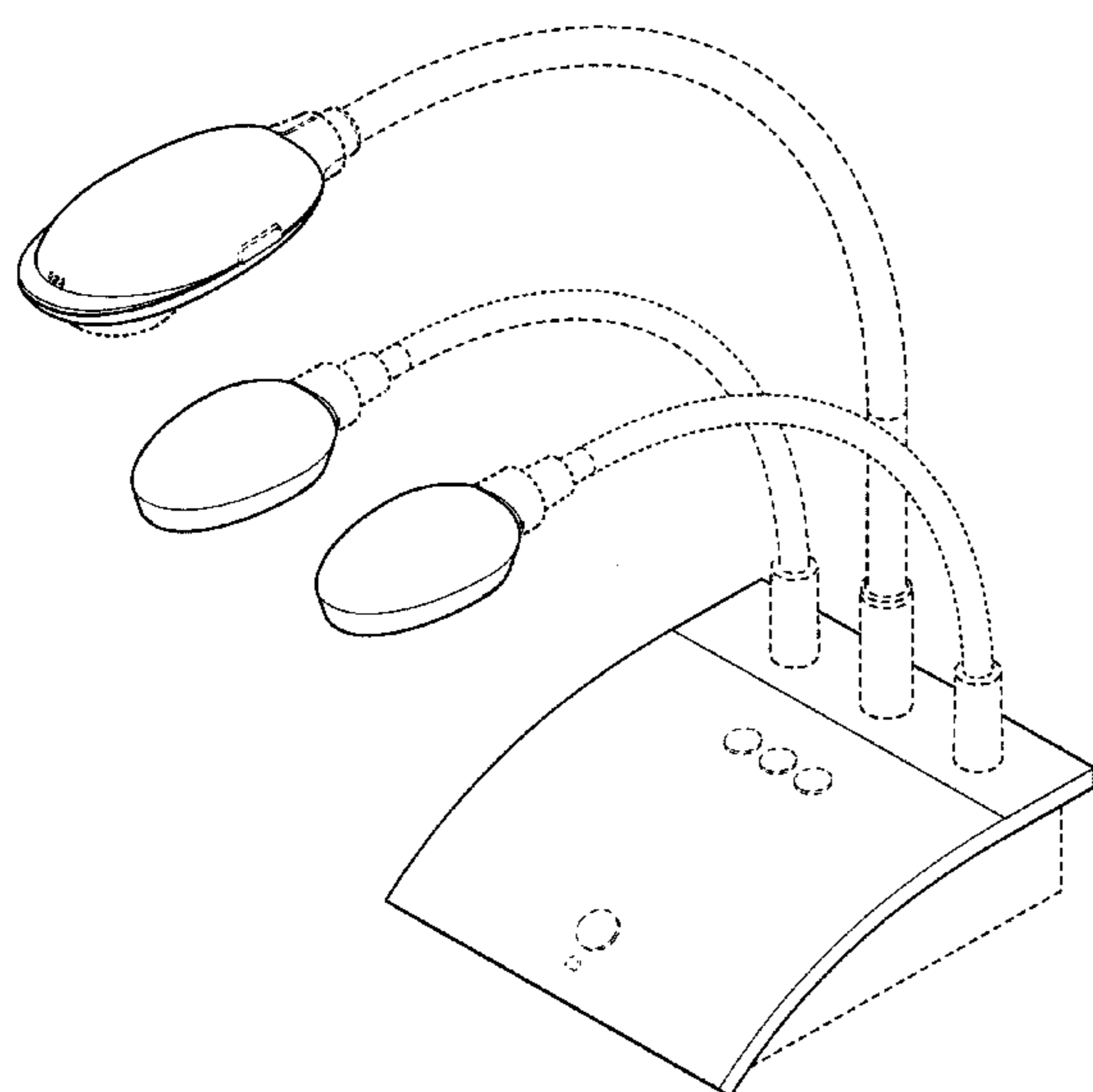
FIG. 5 is an enlarged left side thereof;

FIG. 6 is a top plan view thereof; and,

FIG. 7 is a bottom plan thereof.

The dashed lines immediately adjacent to the claimed areas on the views represent the boundaries of the design. The semi-rectangular on the projecting lens and the dotted lines in the figures illustrate the portions of the design that form no part of the claim. None of the broken lines form any part of the claimed design.

1 Claim, 7 Drawing Sheets



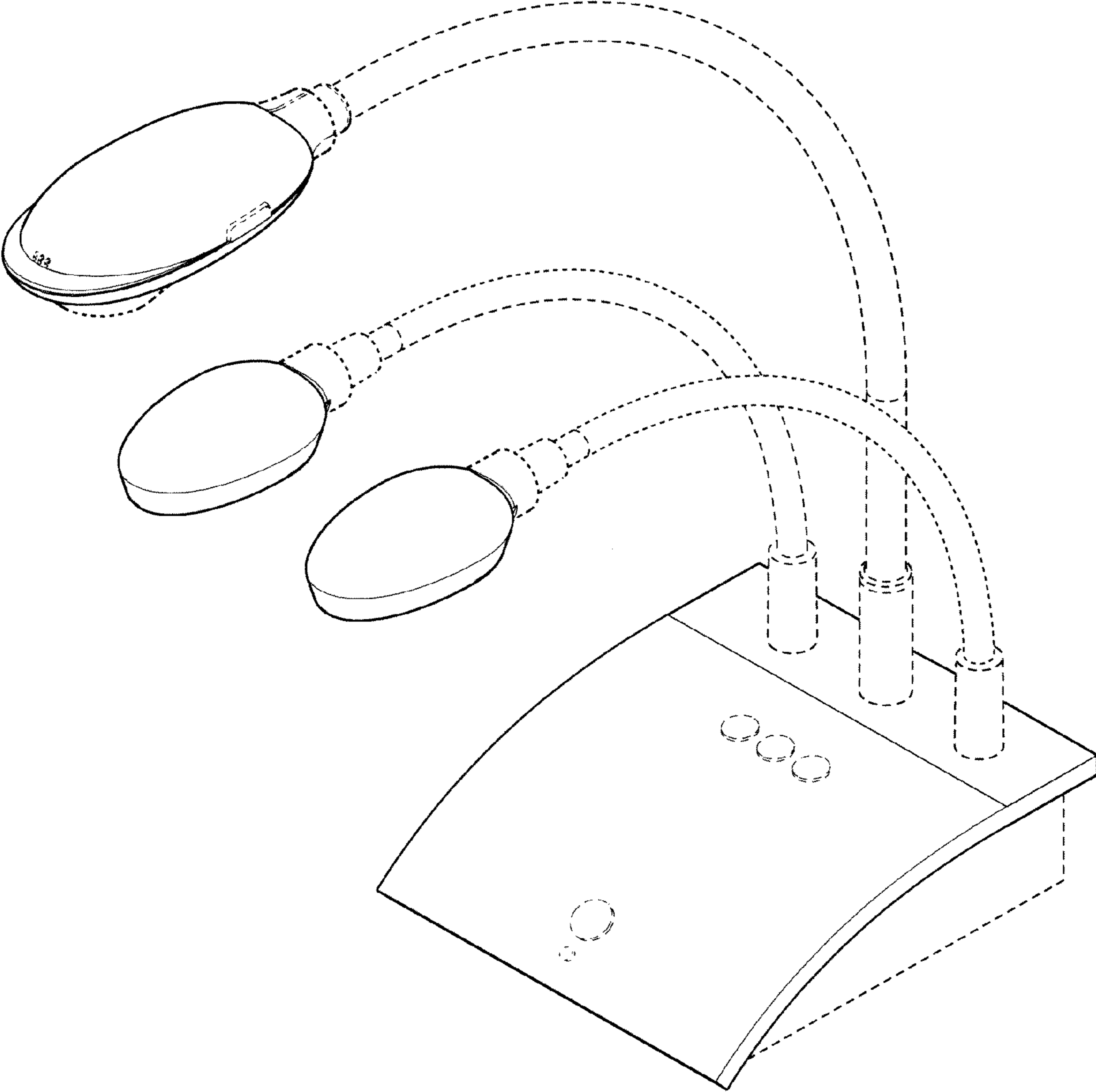


FIG. 1

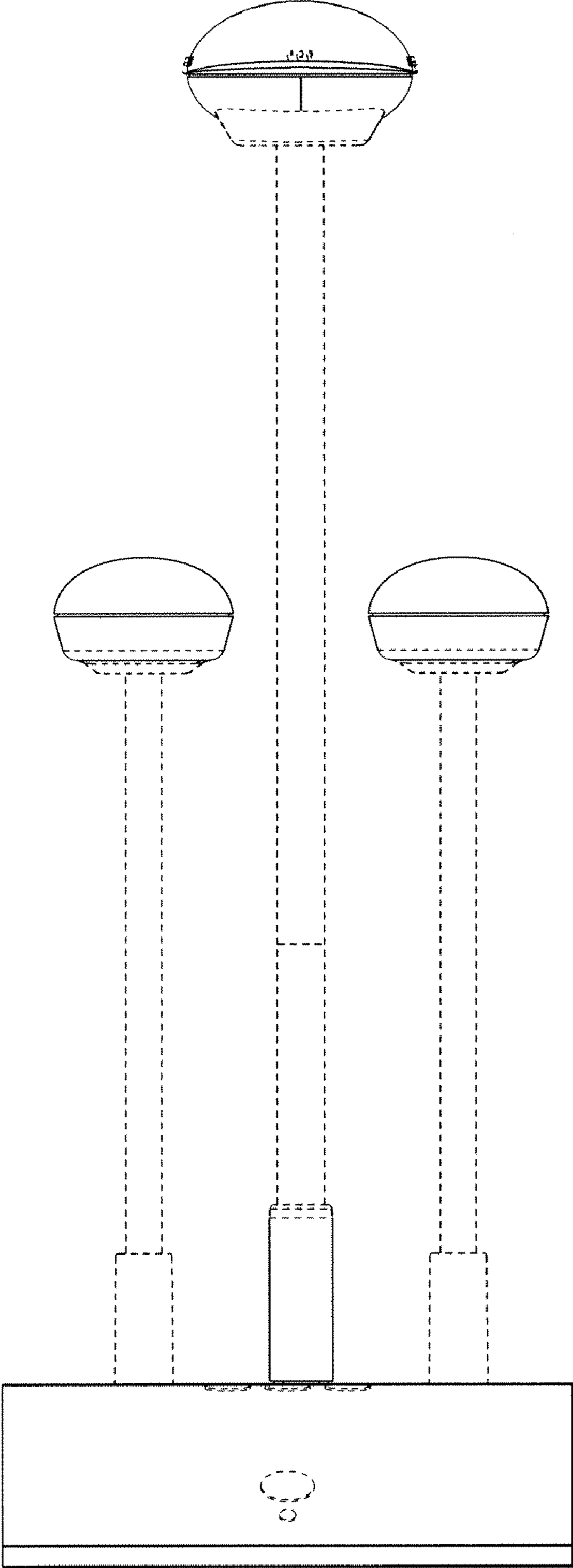


FIG. 2

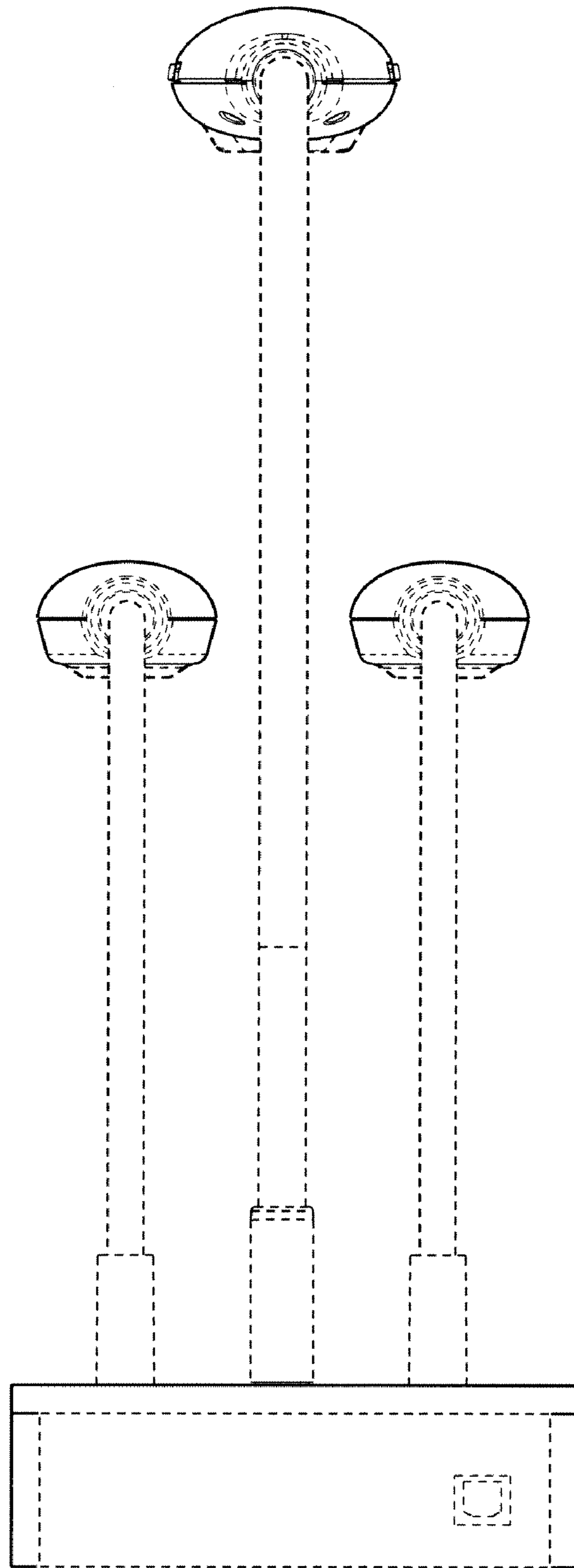


FIG. 3

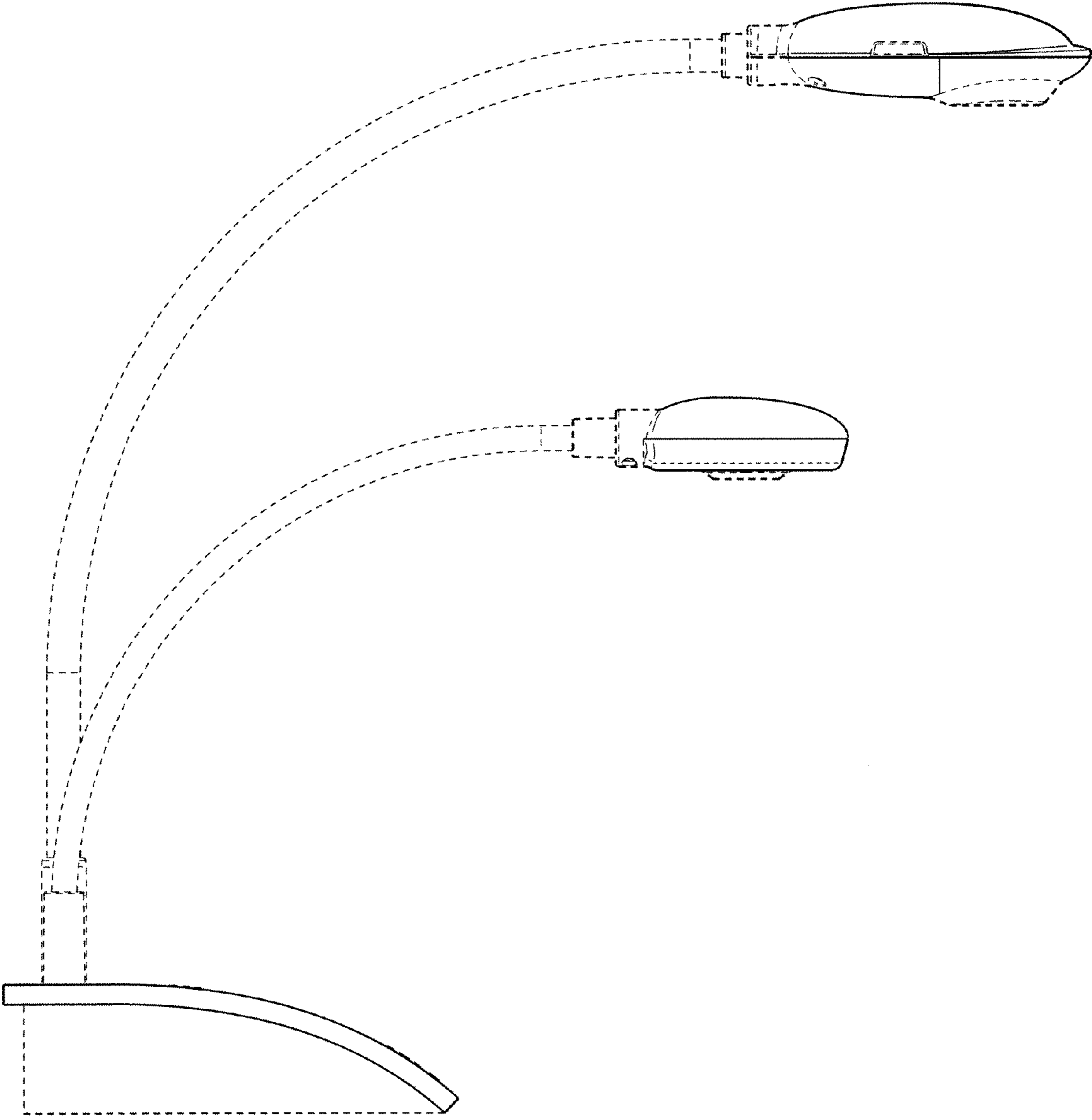


FIG. 4

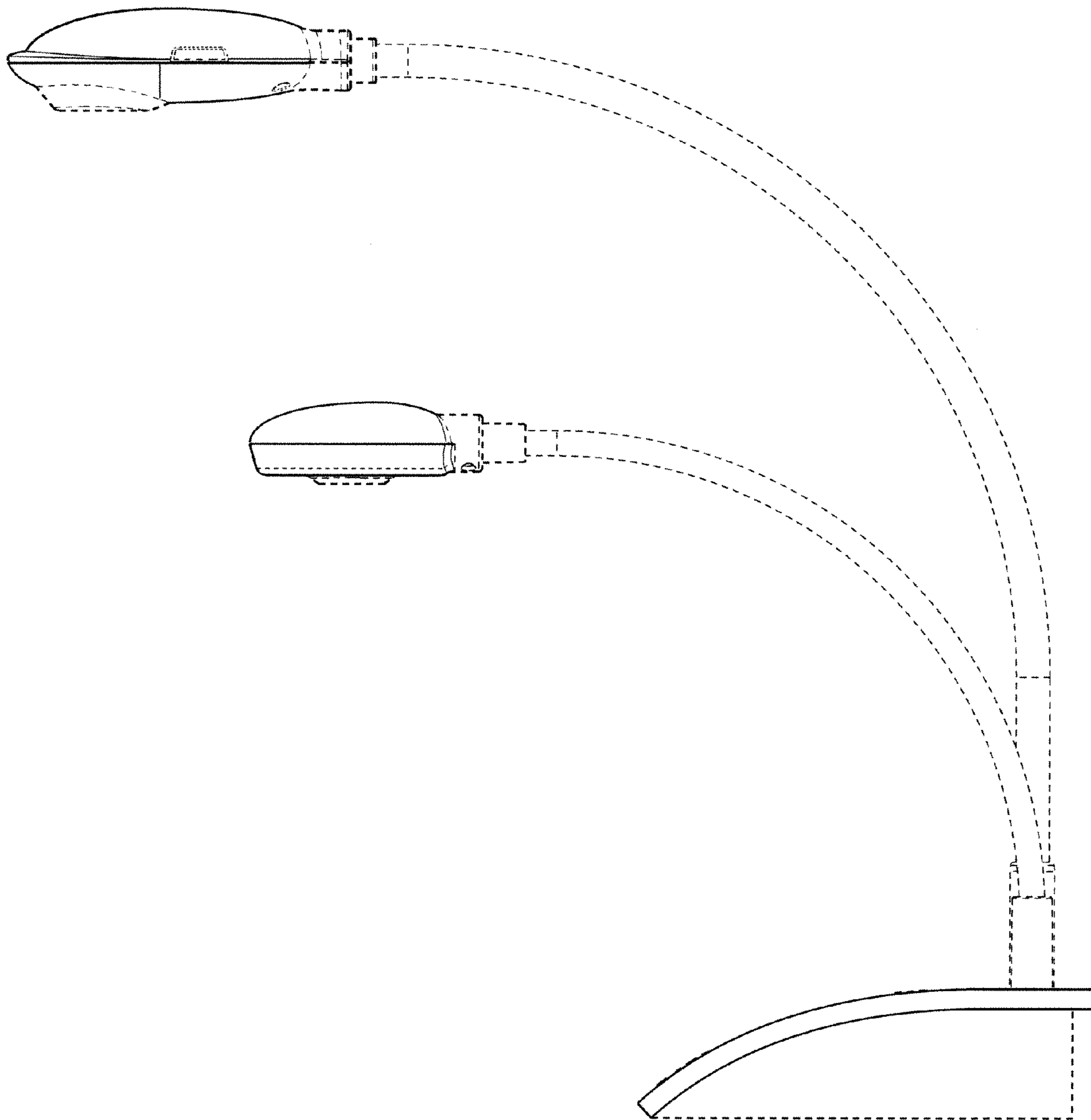


FIG. 5

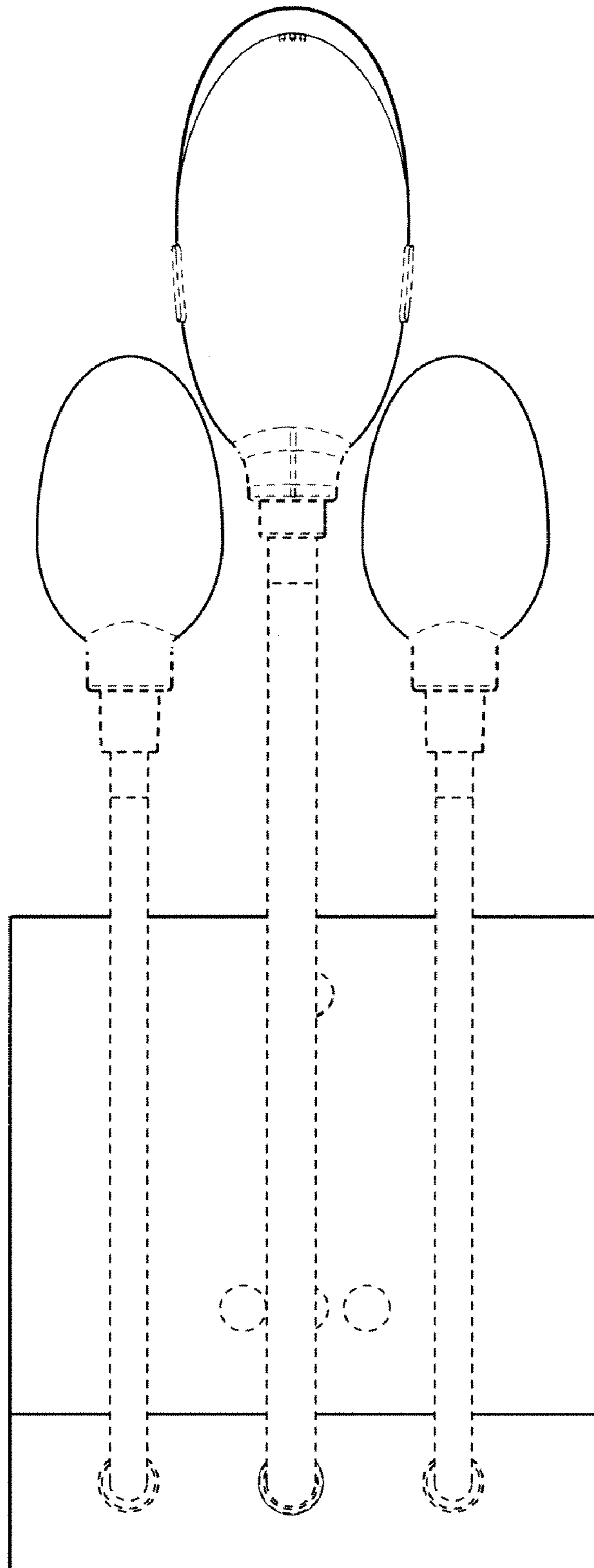


FIG. 6

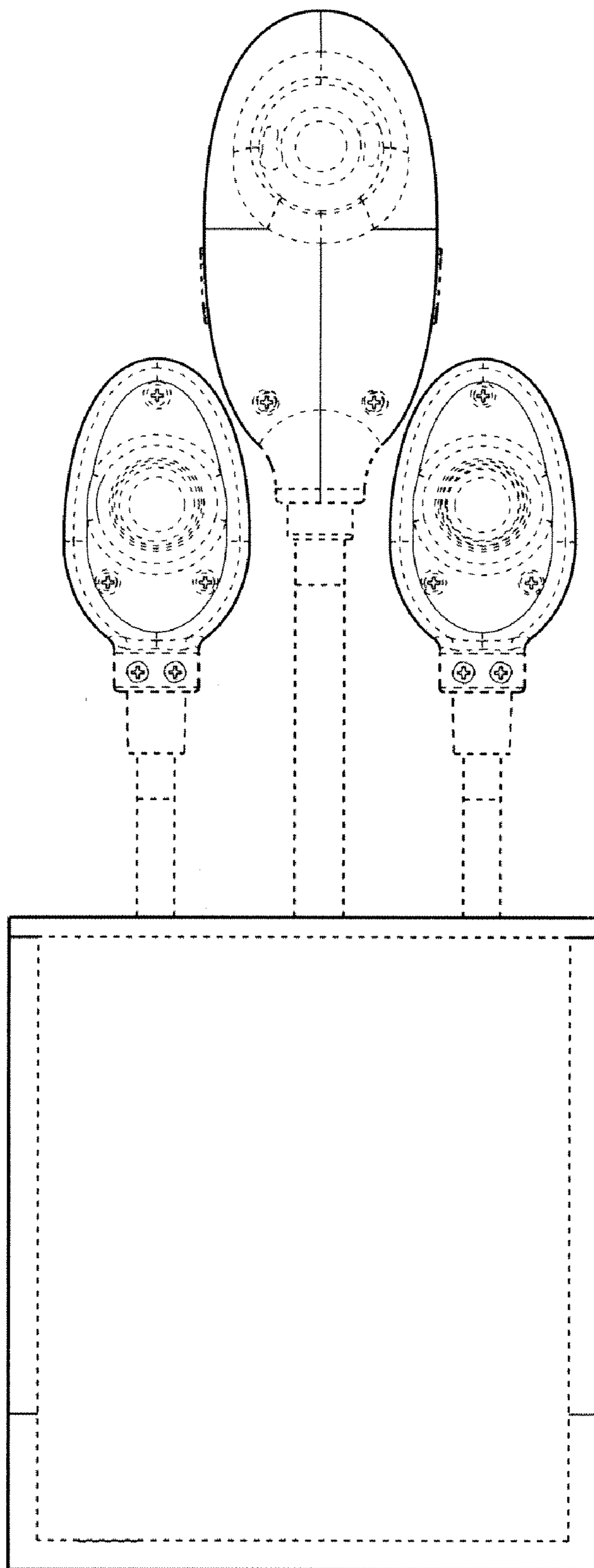


FIG. 7