



US00D633123S

(12) **United States Design Patent**
Katsuraku et al.

(10) **Patent No.:** **US D633,123 S**

(45) **Date of Patent:** **** Feb. 22, 2011**

(54) **CAMERA**

(75) Inventors: **Junko Katsuraku**, Tokyo (JP); **Kenzo Nakajima**, Tokyo (JP); **Tetsu Sumii**, Tokyo (JP); **Daisuke Ishii**, Tokyo (JP)

(73) Assignee: **Sony Corporation**, Tokyo (JP)

(**) Term: **14 Years**

(21) Appl. No.: **29/311,056**

(22) Filed: **Dec. 17, 2008**

(30) **Foreign Application Priority Data**

Jun. 17, 2008	(JP)	D2008-015452
Jun. 17, 2008	(JP)	D2008-015453
Aug. 6, 2008	(JP)	D2008-020419
Aug. 6, 2008	(JP)	D2008-020420
Aug. 6, 2008	(JP)	D2008-020421

(51) **LOC (9) Cl.** **16-05**

(52) **U.S. Cl.** **D16/219; D16/212**

(58) **Field of Classification Search** **D16/200,**
D16/202, 204, 208, 212, 218, 219; 348/373-376;
358/909.1; 396/349, 448, 535-541
See application file for complete search history.

(56) **References Cited**

U.S. PATENT DOCUMENTS

D496,678 S	9/2004	Kawase	
D536,720 S	2/2007	Miyashita	
D536,721 S *	2/2007	Miyashita D16/219
D542,322 S	5/2007	Miyashita	
D542,323 S	5/2007	Takagi	
D543,228 S *	5/2007	Miyashita D16/219
D559,294 S *	1/2008	Hibi D16/219
D561,230 S *	2/2008	Song D16/219
D574,029 S	7/2008	Yamagishi	
D574,872 S	8/2008	Takagi	

7,507,041 B2 *	3/2009	Ueda et al. 348/375
D600,734 S *	9/2009	Yamagishi D16/219
D608,812 S *	1/2010	Tainaka D16/212
2009/0103914 A1 *	4/2009	Kitagawa et al. 396/448

FOREIGN PATENT DOCUMENTS

CN 300748137 S 2/2008

OTHER PUBLICATIONS

Patent Office Prior Art No. HA20002859, "Nikkei Trendy", vol. 277, p. 56 (Apr. 1, 2008).

* cited by examiner

Primary Examiner—Adir Aronovich

(74) *Attorney, Agent, or Firm*—Rader, Fishman & Grauer PLLC

(57) **CLAIM**

The ornamental design for a camera, as shown and described.

DESCRIPTION

FIG. 1 is a perspective view of a camera showing my new design;

FIG. 2 is a front elevational view thereof;

FIG. 3 is a rear elevational view thereof;

FIG. 4 is a left side elevational view thereof;

FIG. 5 is a top plan view thereof;

FIG. 6 is a bottom plan view thereof;

FIG. 7 is a front elevational view thereof, in the closed position; and,

FIG. 8 is a perspective view thereof, in the closed position.

Portions in broken lines are for illustrative purposes only and form no part of the claimed design. Dot-dash broken lines define the boundaries of, but are not included in, the claimed design.

1 Claim, 8 Drawing Sheets

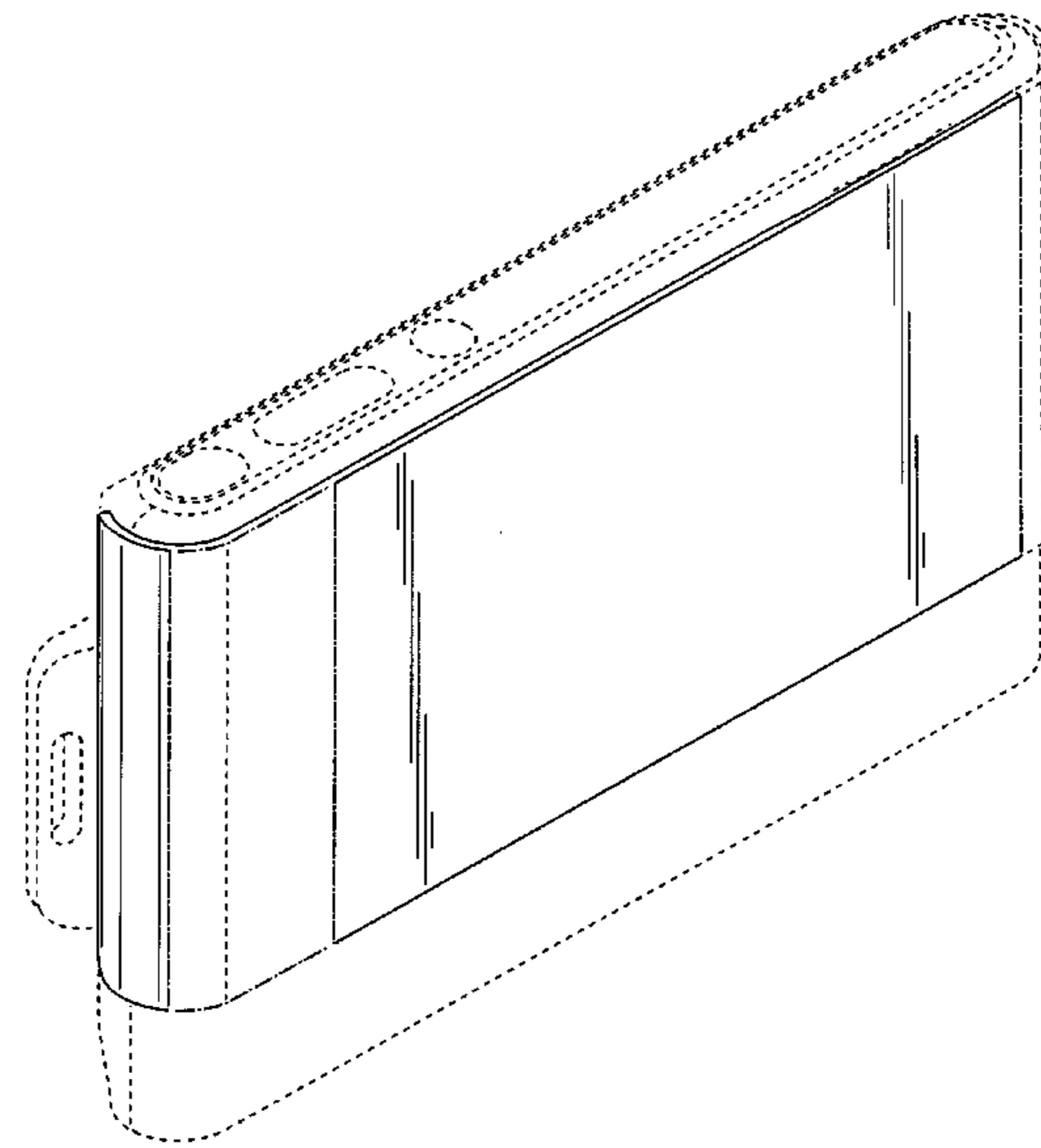
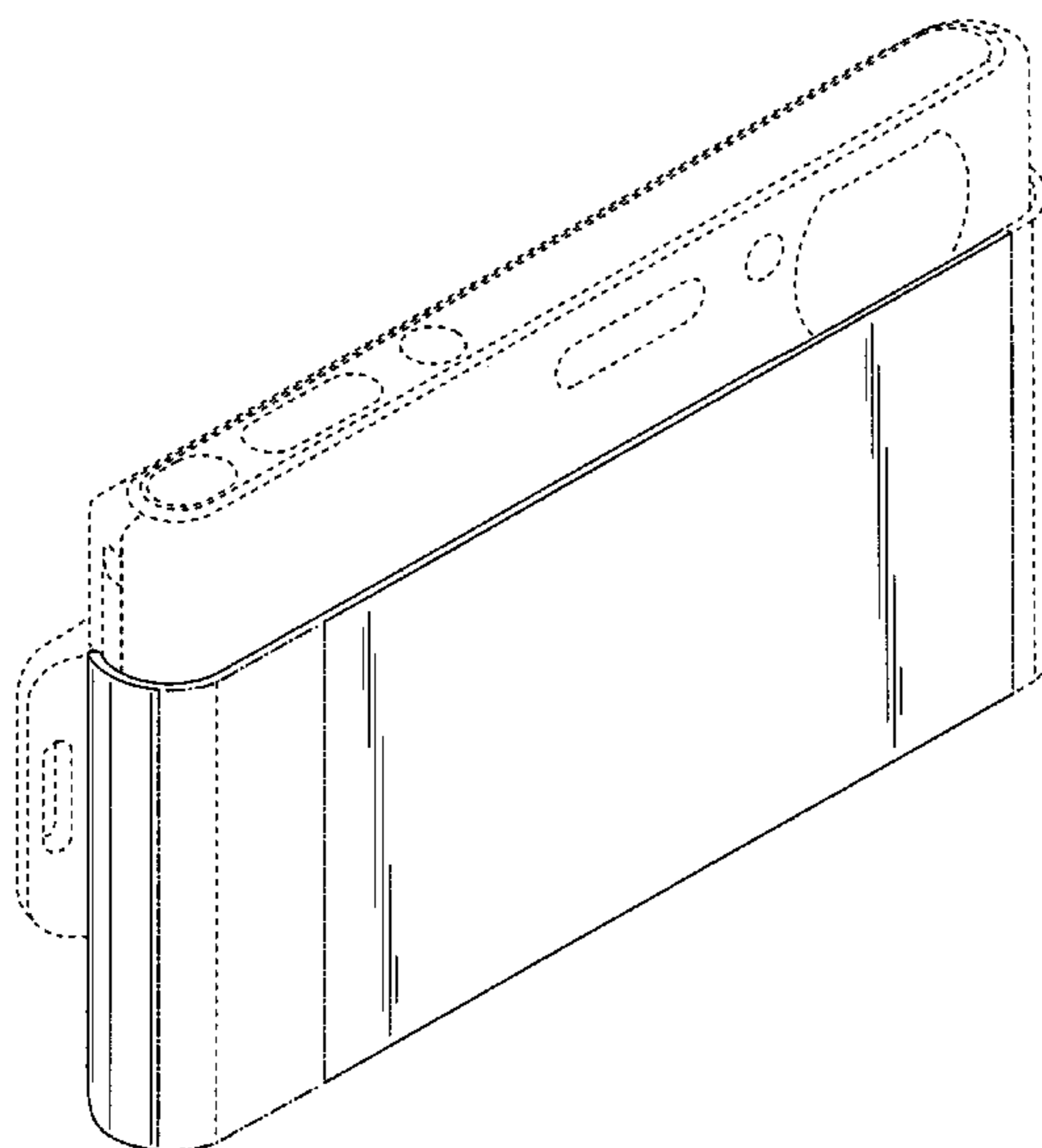


FIG.1

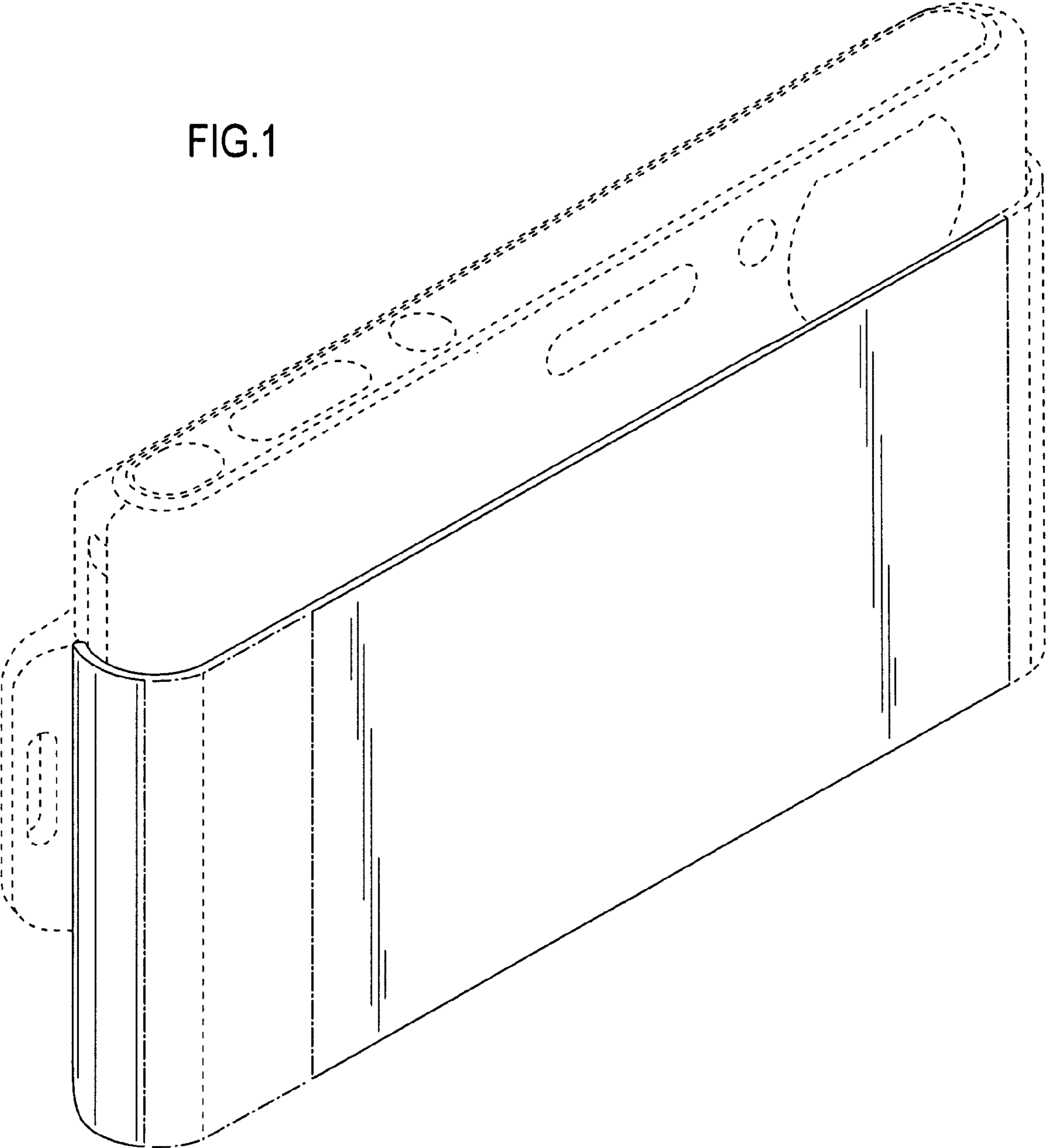


FIG.2

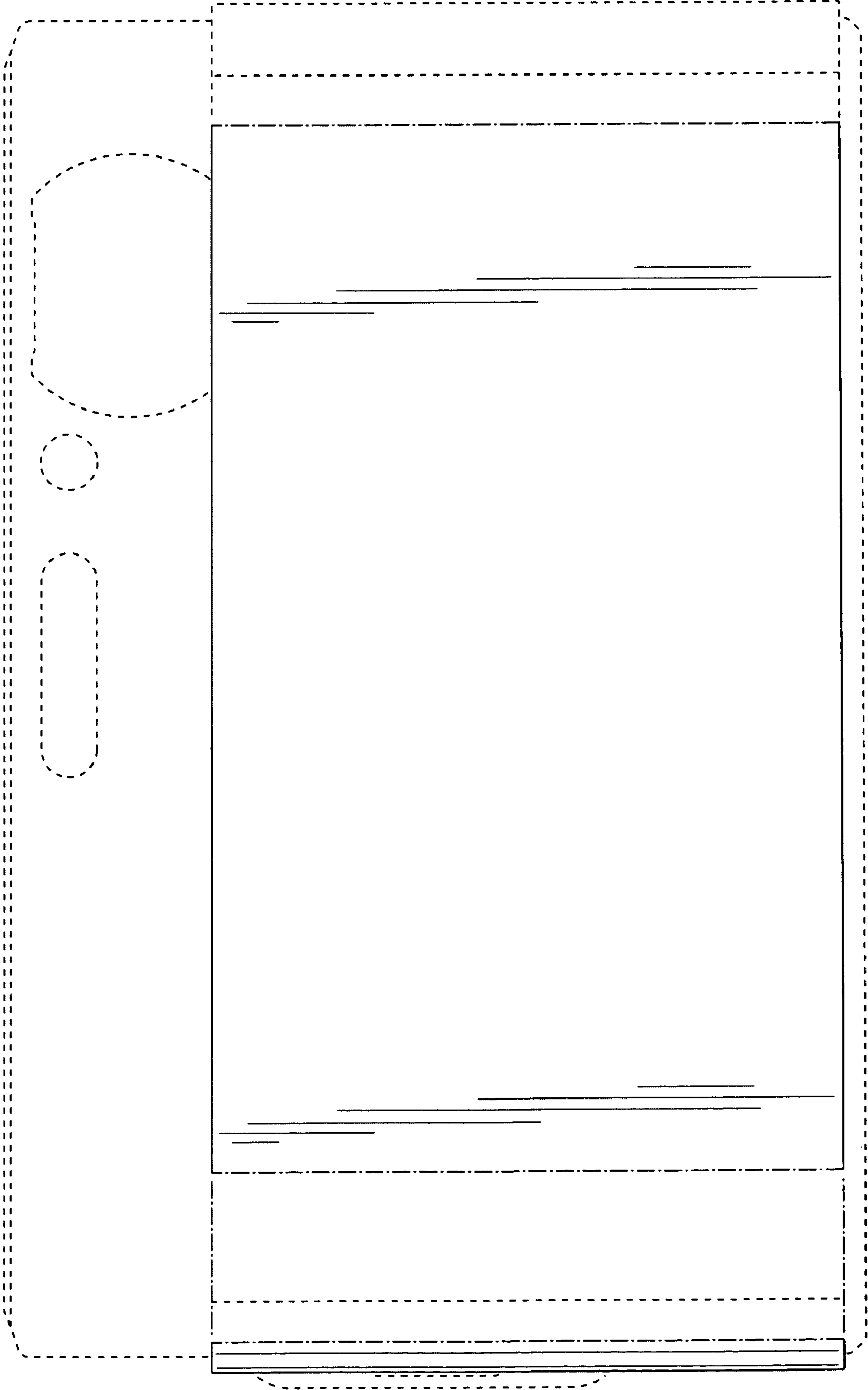


FIG.3

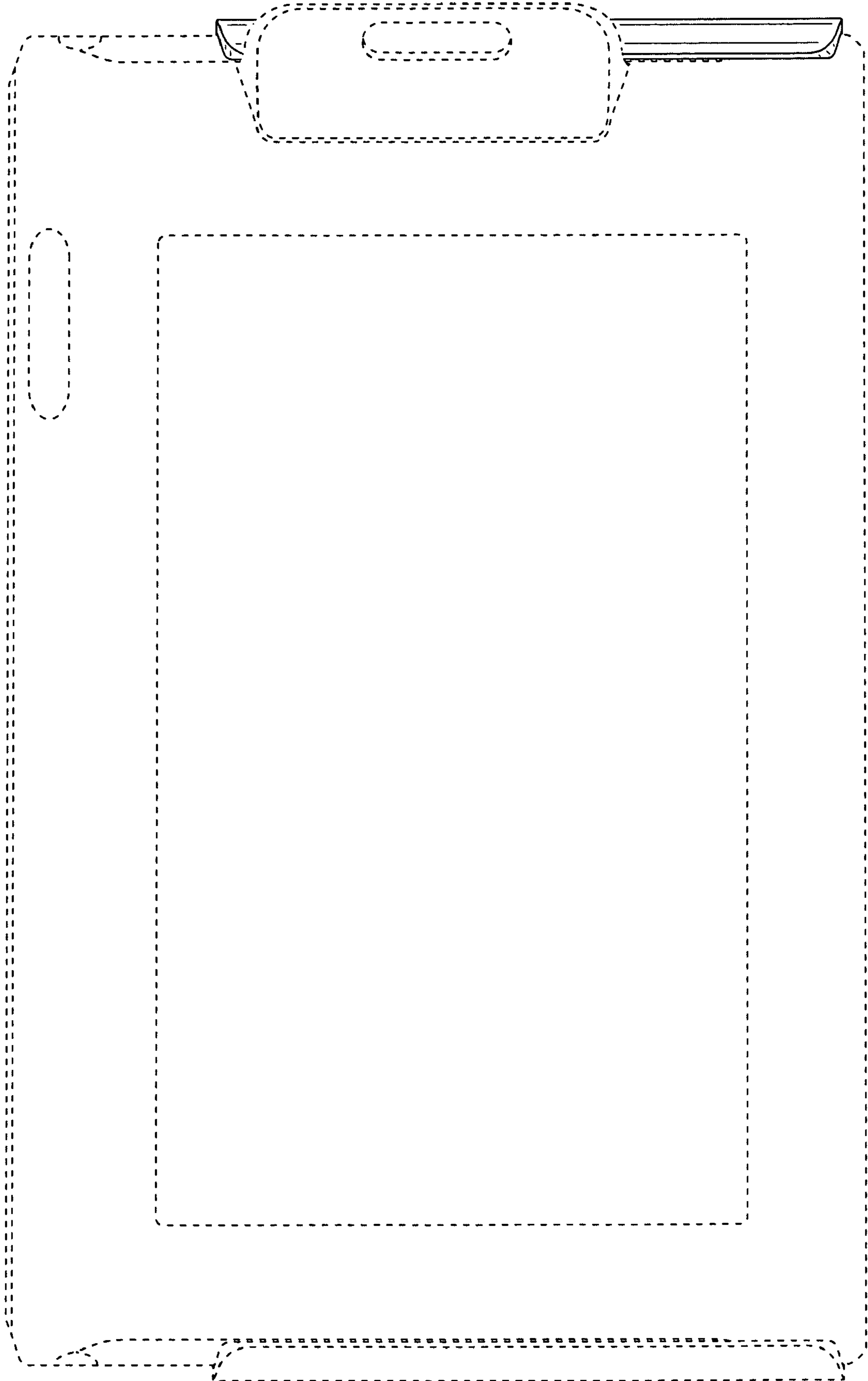


FIG.4

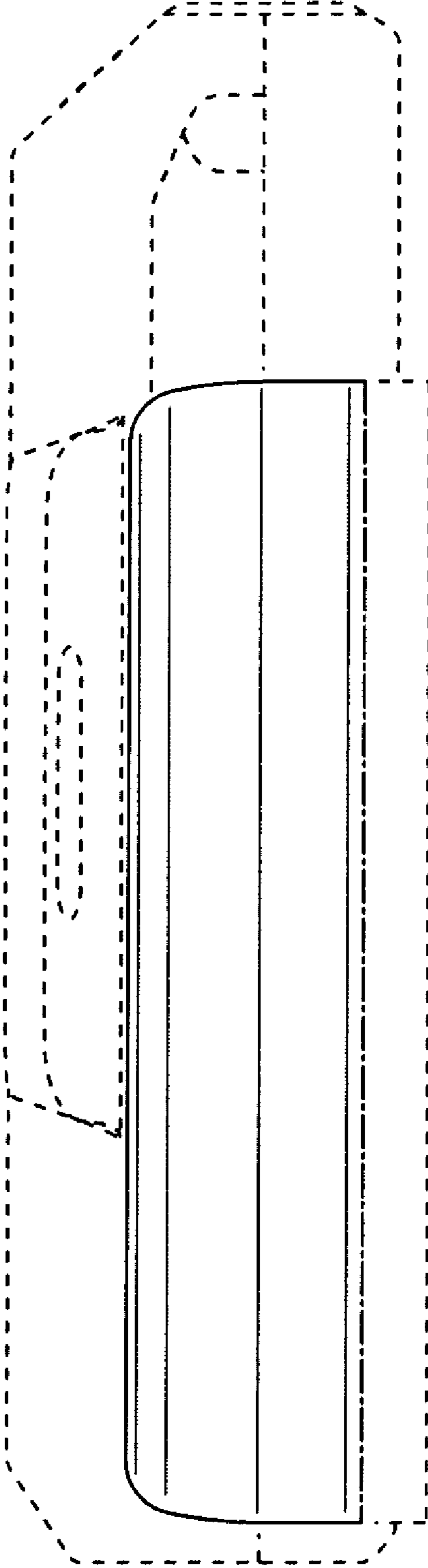


FIG.5

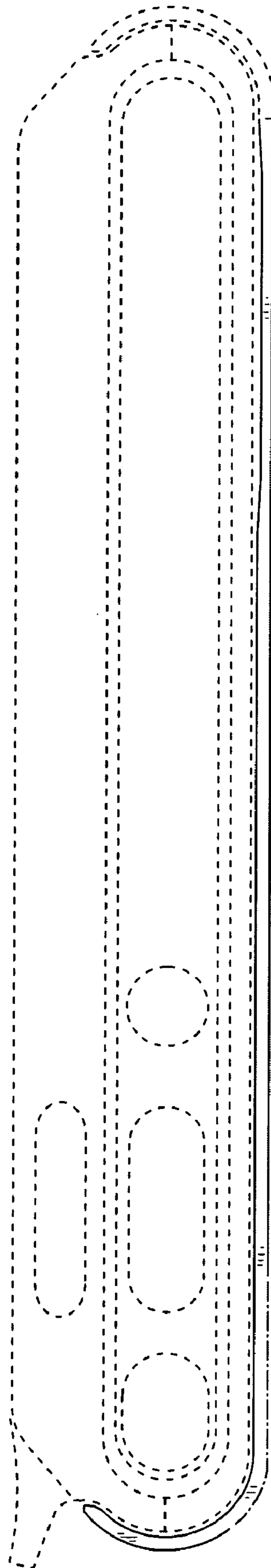


FIG.6

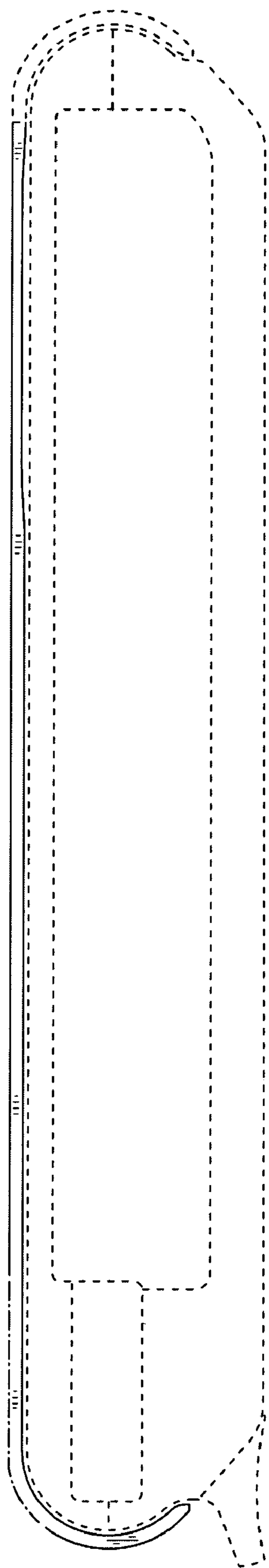


FIG.7

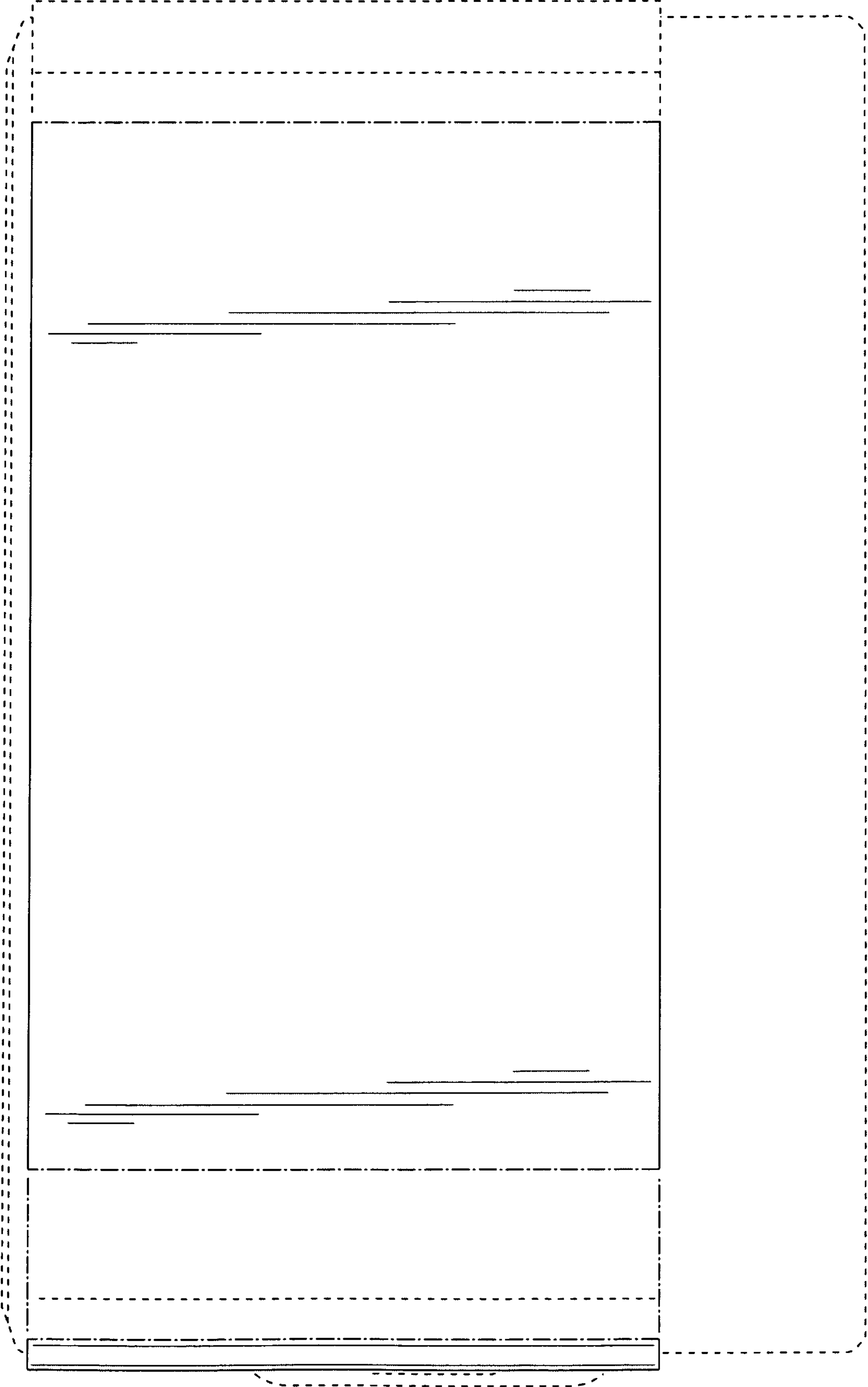


FIG.8

