



US00D633121S

(12) **United States Design Patent**
Renkis

(10) **Patent No.:** **US D633,121 S**

(45) **Date of Patent:** **** Feb. 22, 2011**

(54) **WIRELESS VIDEO SURVEILLANCE
CAMERA**

D613,784 S * 4/2010 Wang et al. D16/203
2003/0093805 A1* 5/2003 Gin 348/143

(76) Inventor: **Martin Renkis**, 305 Walnut Dr.,
Nashville, TN (US) 37205

* cited by examiner

Primary Examiner—Adir Aronovich
(74) *Attorney, Agent, or Firm*—Sinorica, LLC

(**) Term: **14 Years**

(21) Appl. No.: **29/364,668**

(57) **CLAIM**

(22) Filed: **Jun. 25, 2010**

The ornamental design for a wireless video surveillance camera, as shown and described.

(51) **LOC (9) Cl.** **16-01**

(52) **U.S. Cl.** **D16/203**

(58) **Field of Classification Search** D16/200–205,
D16/218; 348/143, 151, 373–376; 396/427,
396/535–541

See application file for complete search history.

DESCRIPTION

FIG. 1 is a perspective view of a wireless video surveillance camera;

FIG. 2 is a front elevational view thereof;

FIG. 3 is a rear elevational view thereof;

FIG. 4 is a left-side elevational view thereof

FIG. 5 is a right-side elevational view thereof;

FIG. 6 is a bottom plan view thereof; and,

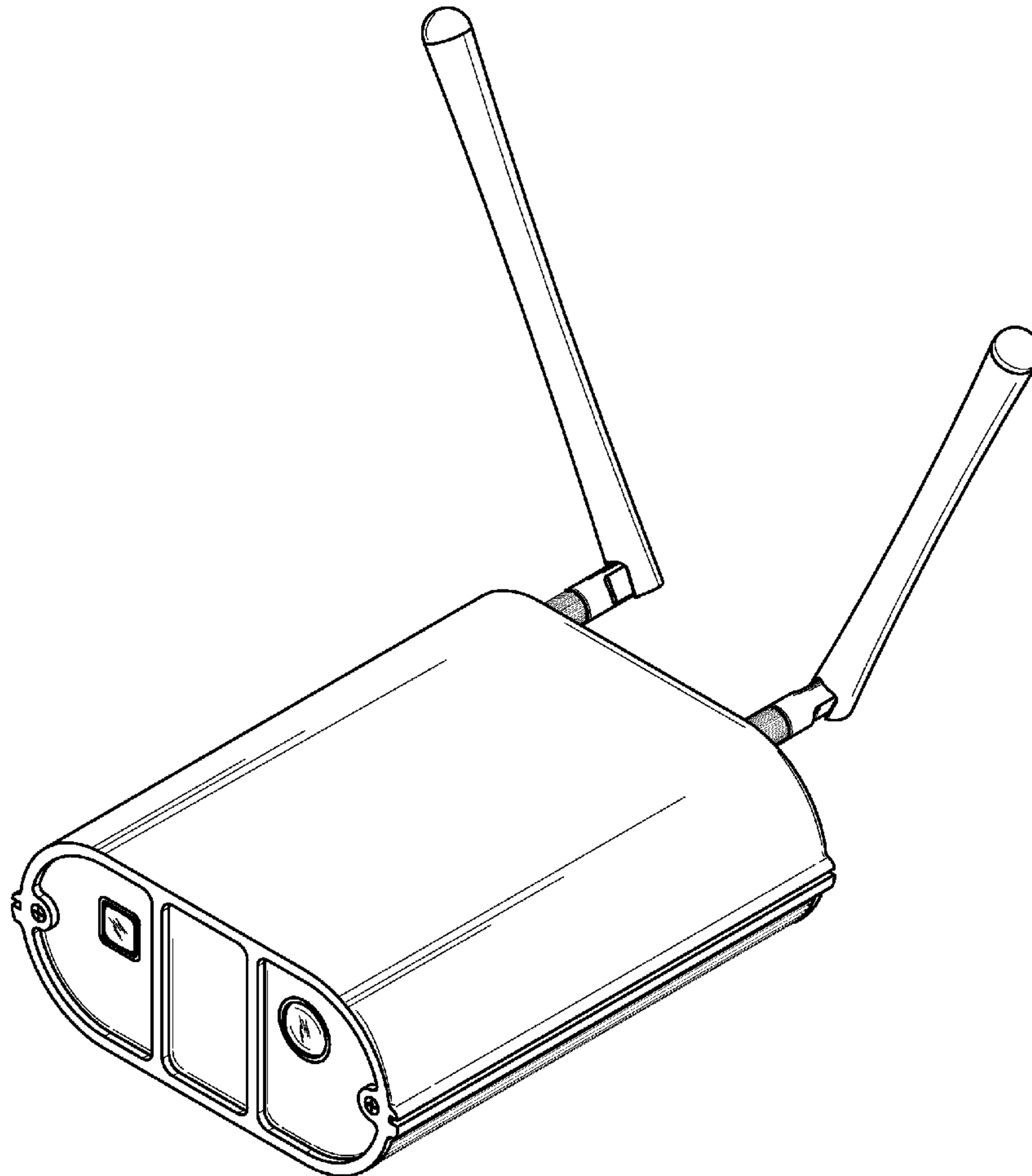
FIG. 7 is a top plan view thereof.

(56) **References Cited**

U.S. PATENT DOCUMENTS

D489,744 S * 5/2004 Muto D16/203
D600,264 S * 9/2009 Baumgartner D16/203
7,603,087 B1 * 10/2009 Renkis 348/143
D612,408 S * 3/2010 Yamakawa D16/203
D612,410 S * 3/2010 Deurwaarder D16/203

1 Claim, 7 Drawing Sheets



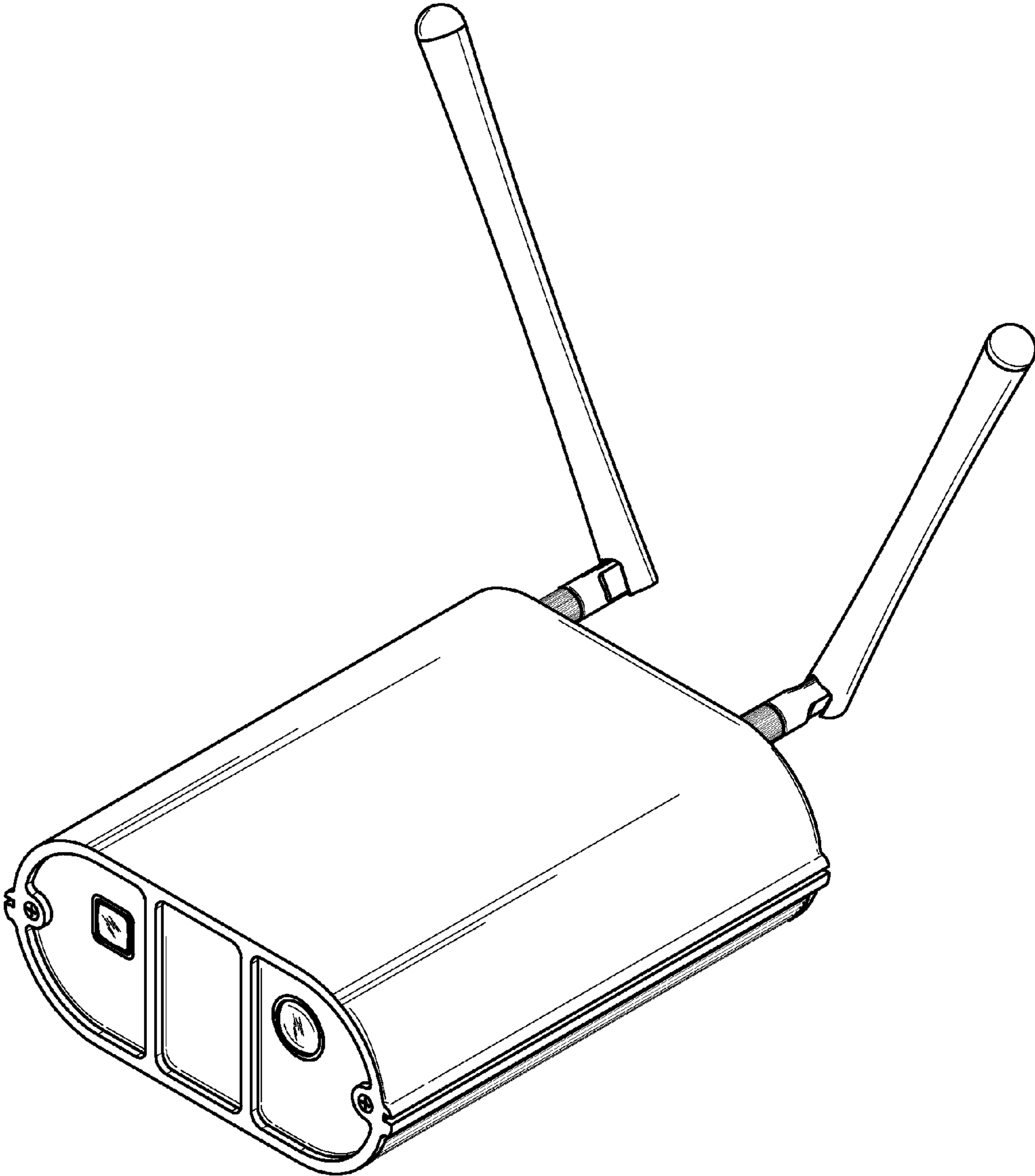


FIG. 1

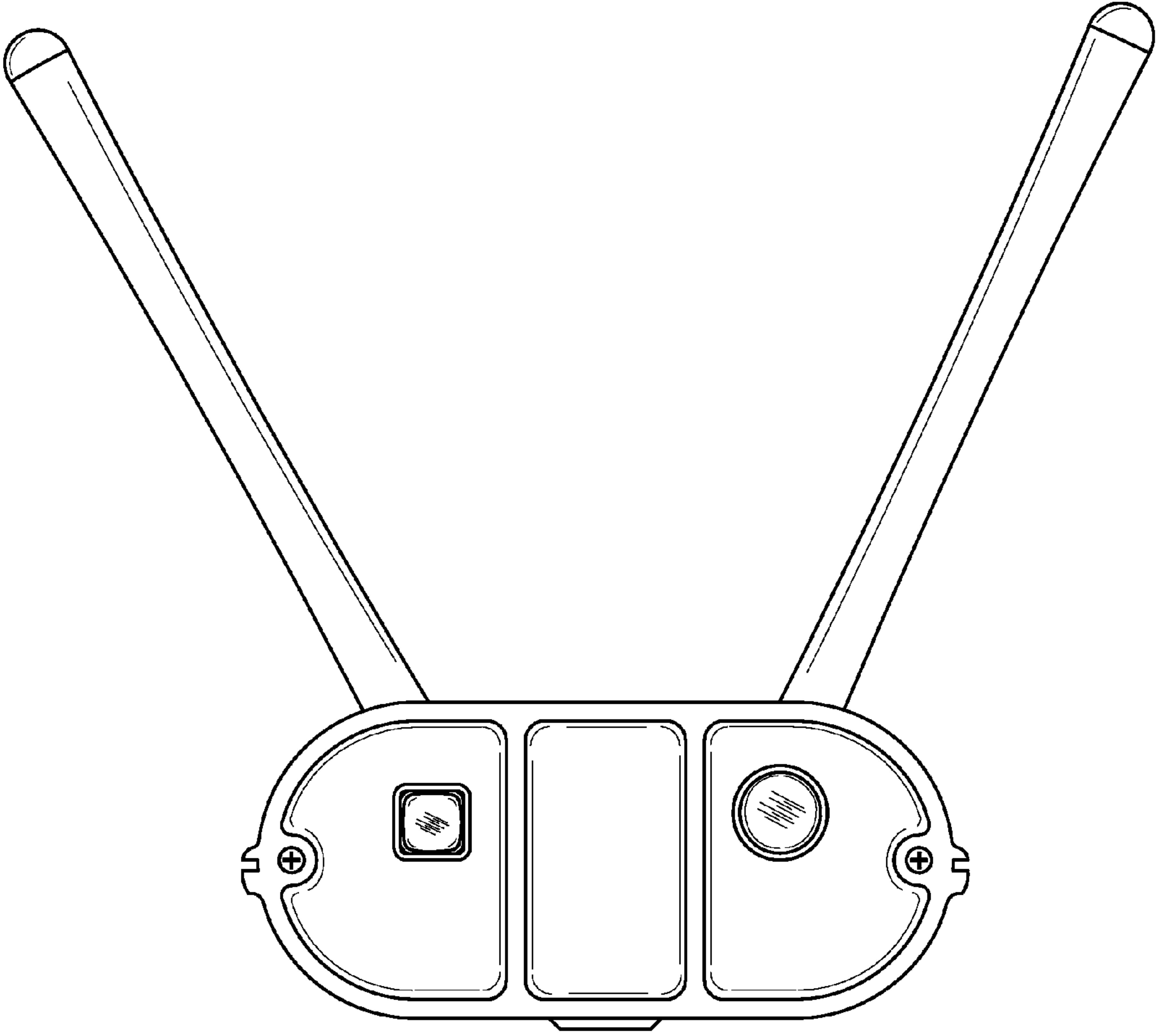


FIG. 2

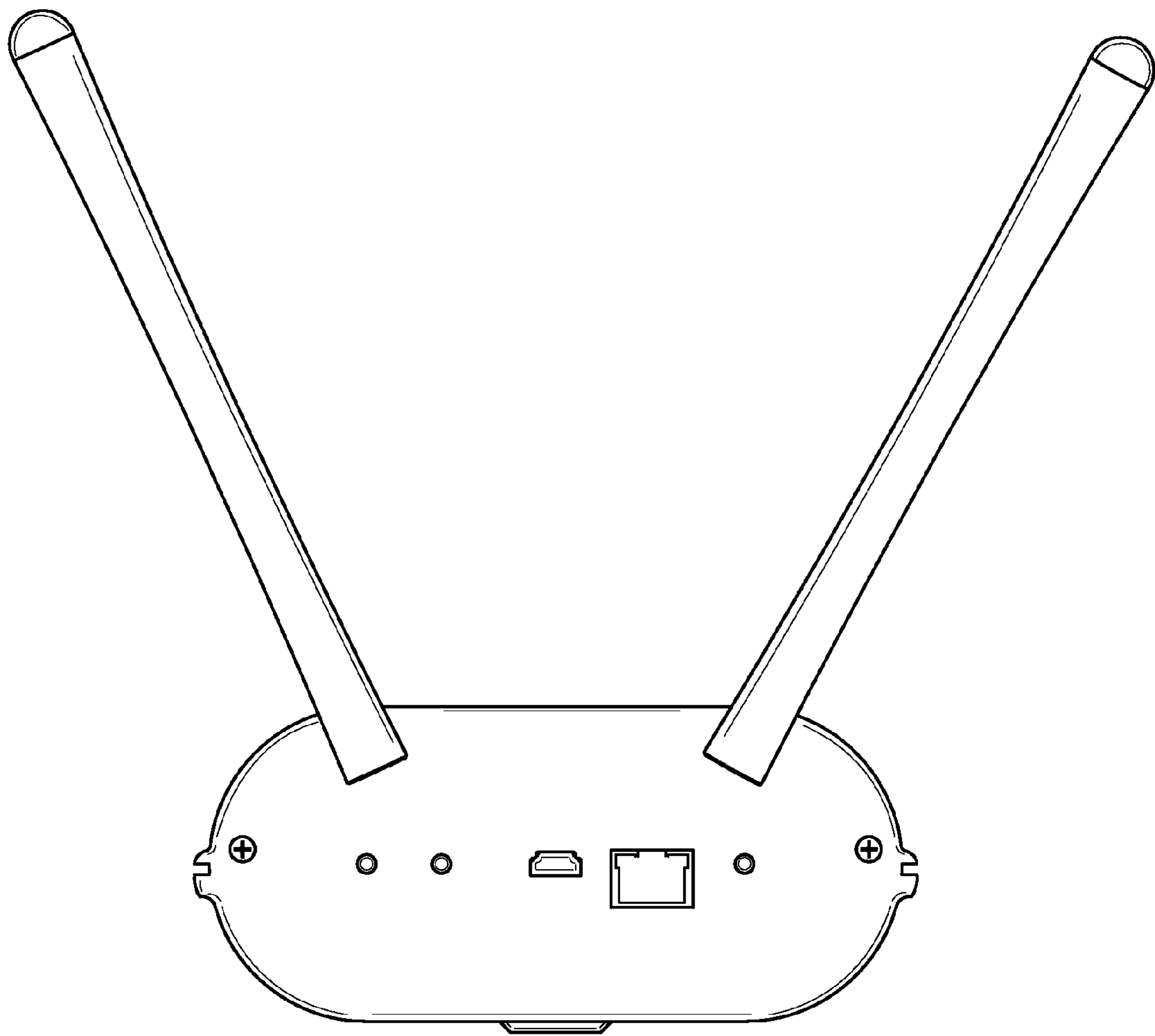


FIG. 3

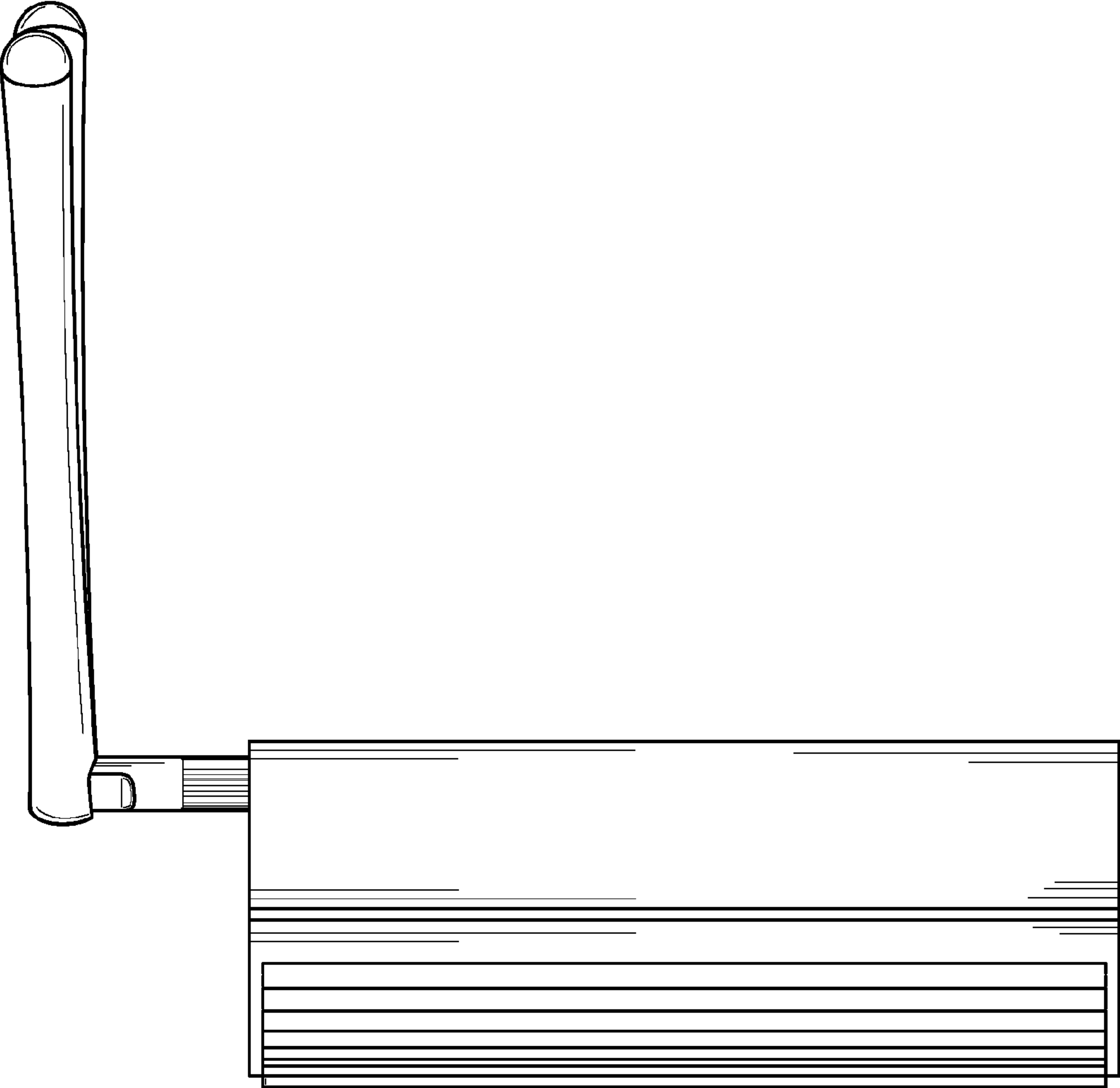


FIG. 4

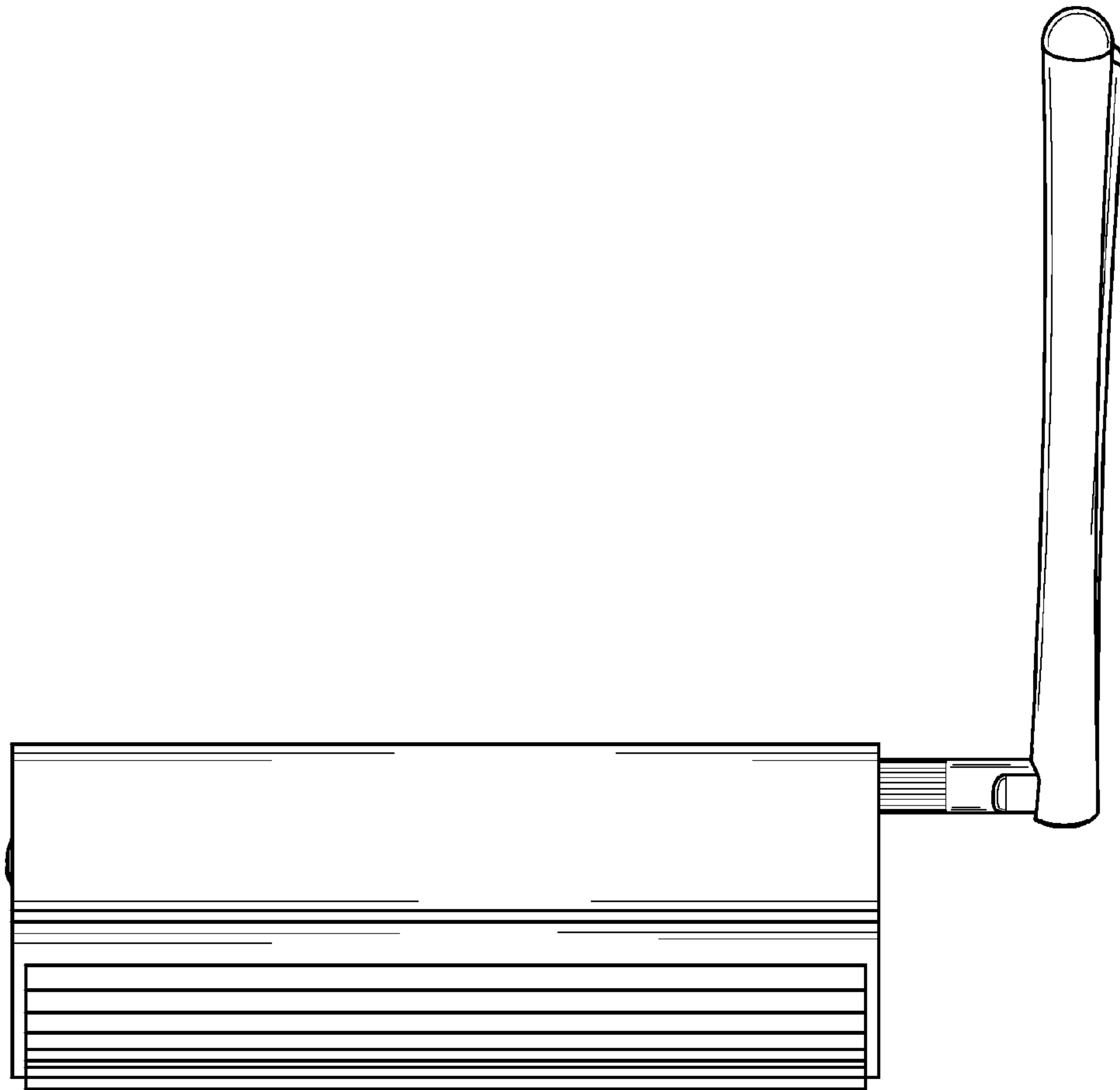


FIG. 5

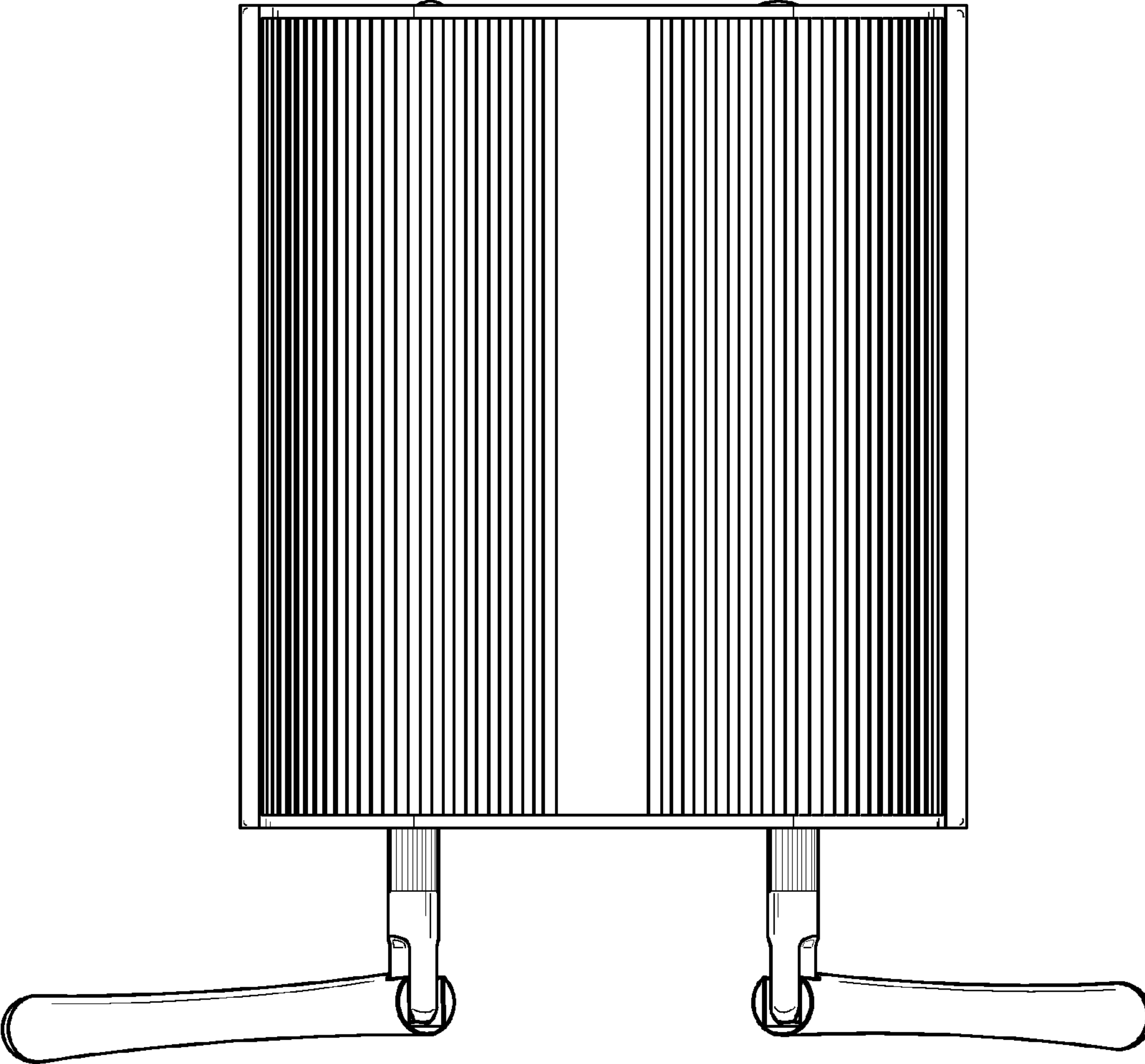


FIG. 6

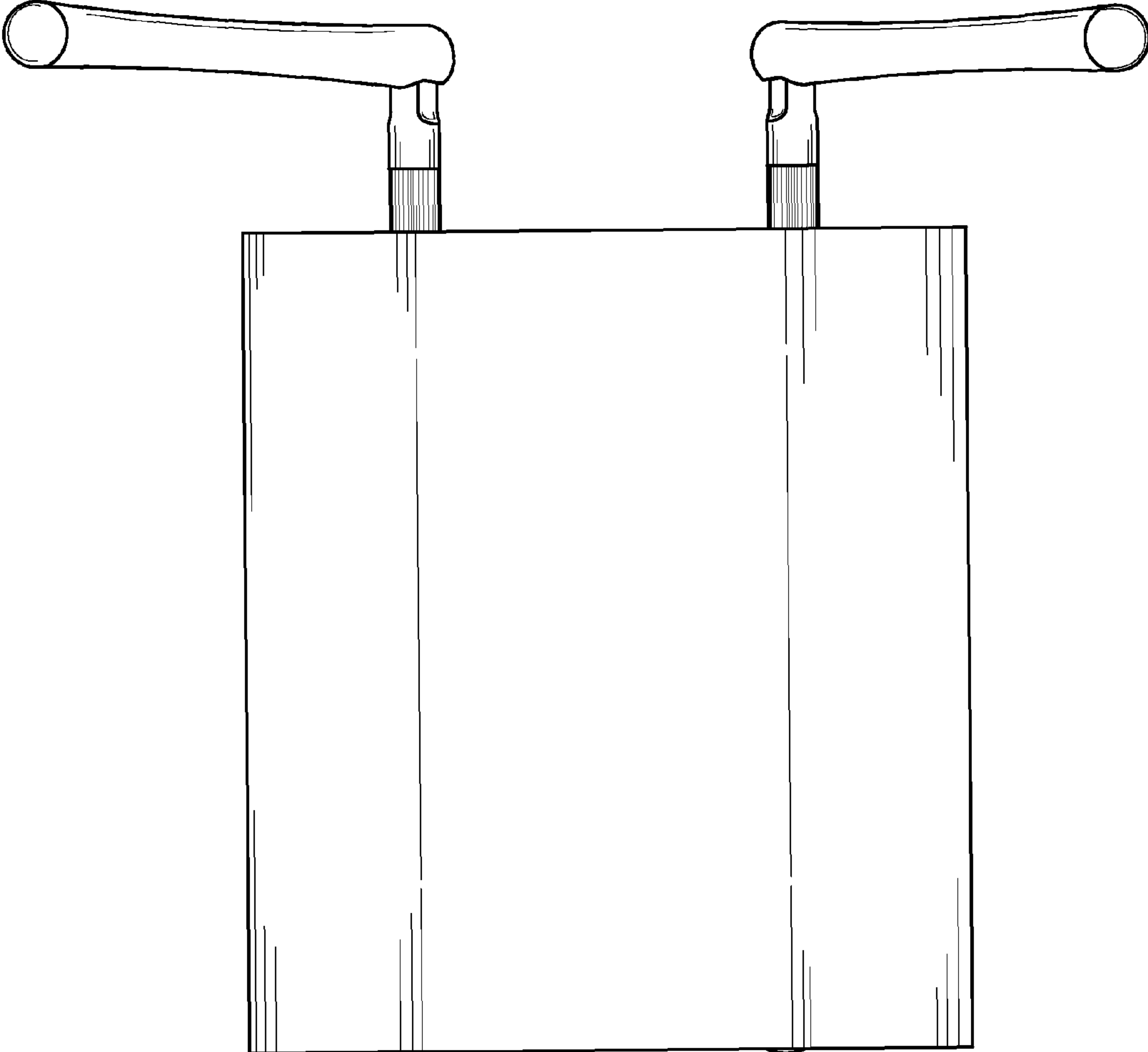


FIG. 7