



US00D633120S

(12) **United States Design Patent**  
**Ham**

(10) **Patent No.:** **US D633,120 S**

(45) **Date of Patent:** **\*\* Feb. 22, 2011**

(54) **CAMERA FOR CLOSED CIRCUIT TELEVISION**

D584,756 S \* 1/2009 Yamakawa ..... D16/203  
7,661,890 B2 \* 2/2010 Basho ..... 348/143  
D615,114 S \* 5/2010 Arnold et al. .... D16/203

(75) Inventor: **Sangchan Ham**, Seoul (KR)

\* cited by examiner

(73) Assignee: **CNB Technology Inc.** (KR)

*Primary Examiner*—Adir Aronovich

(\*\*) Term: **14 Years**

(74) *Attorney, Agent, or Firm*—Cantor Colburn LLP

(21) Appl. No.: **29/359,601**

(57) **CLAIM**

(22) Filed: **Apr. 13, 2010**

The ornamental design for a camera for closed circuit television, as shown and described.

(51) **LOC (9) Cl.** ..... **16-01**

(52) **U.S. Cl.** ..... **D16/203**

(58) **Field of Classification Search** ..... D16/200–205,  
D16/208, 218; 348/143, 373–376; 358/906;  
396/427, 535–541

See application file for complete search history.

**DESCRIPTION**

FIG. 1 is a perspective view of a camera for closed circuit television showing my new design;

FIG. 2 is a front elevational view thereof;

FIG. 3 is a rear elevational view thereof;

FIG. 4 is a left side elevational view thereof;

FIG. 5 is a right side elevational view thereof;

FIG. 6 is a top plan view thereof; and,

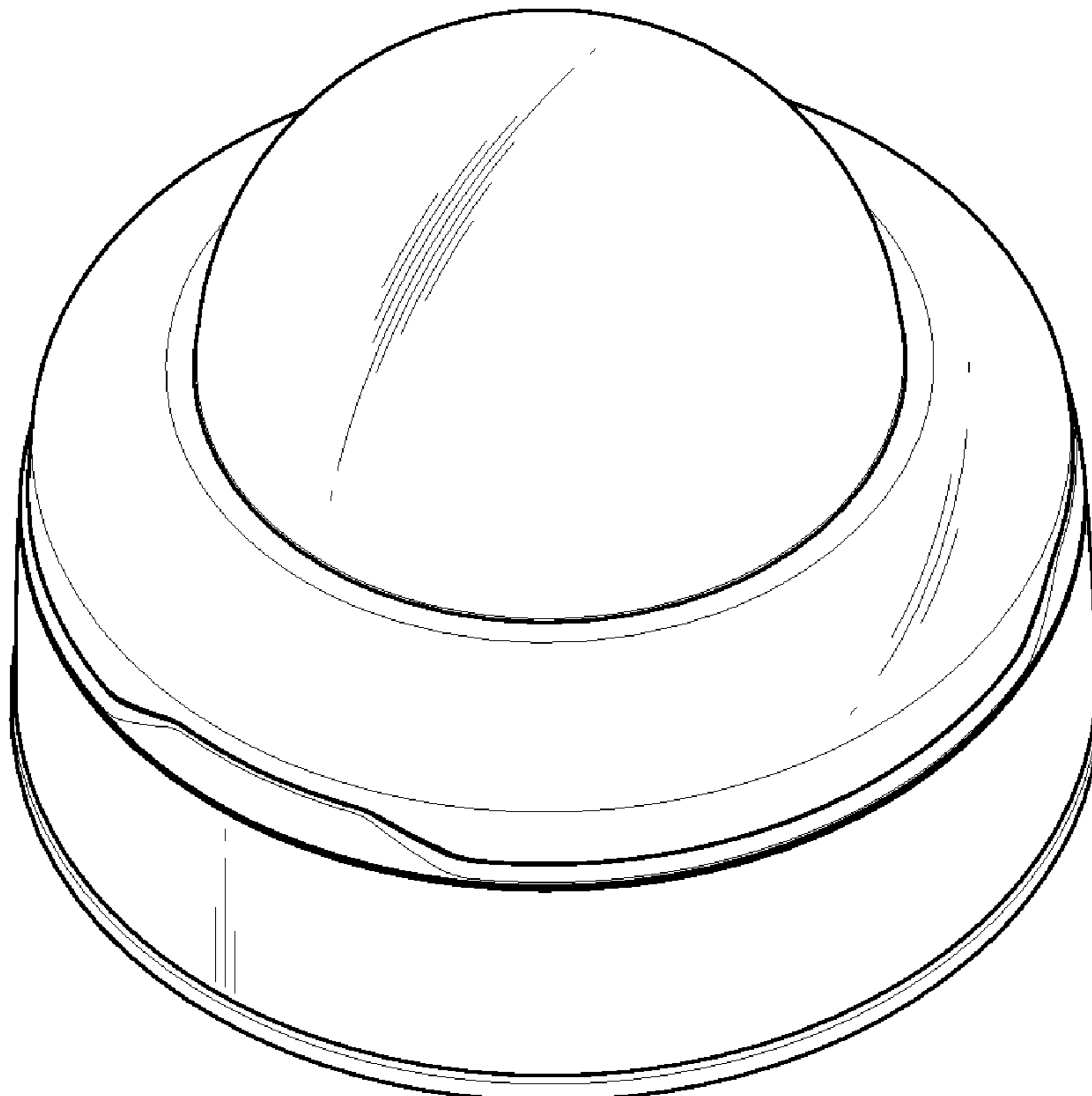
FIG. 7 is a bottom plan view thereof.

(56) **References Cited**

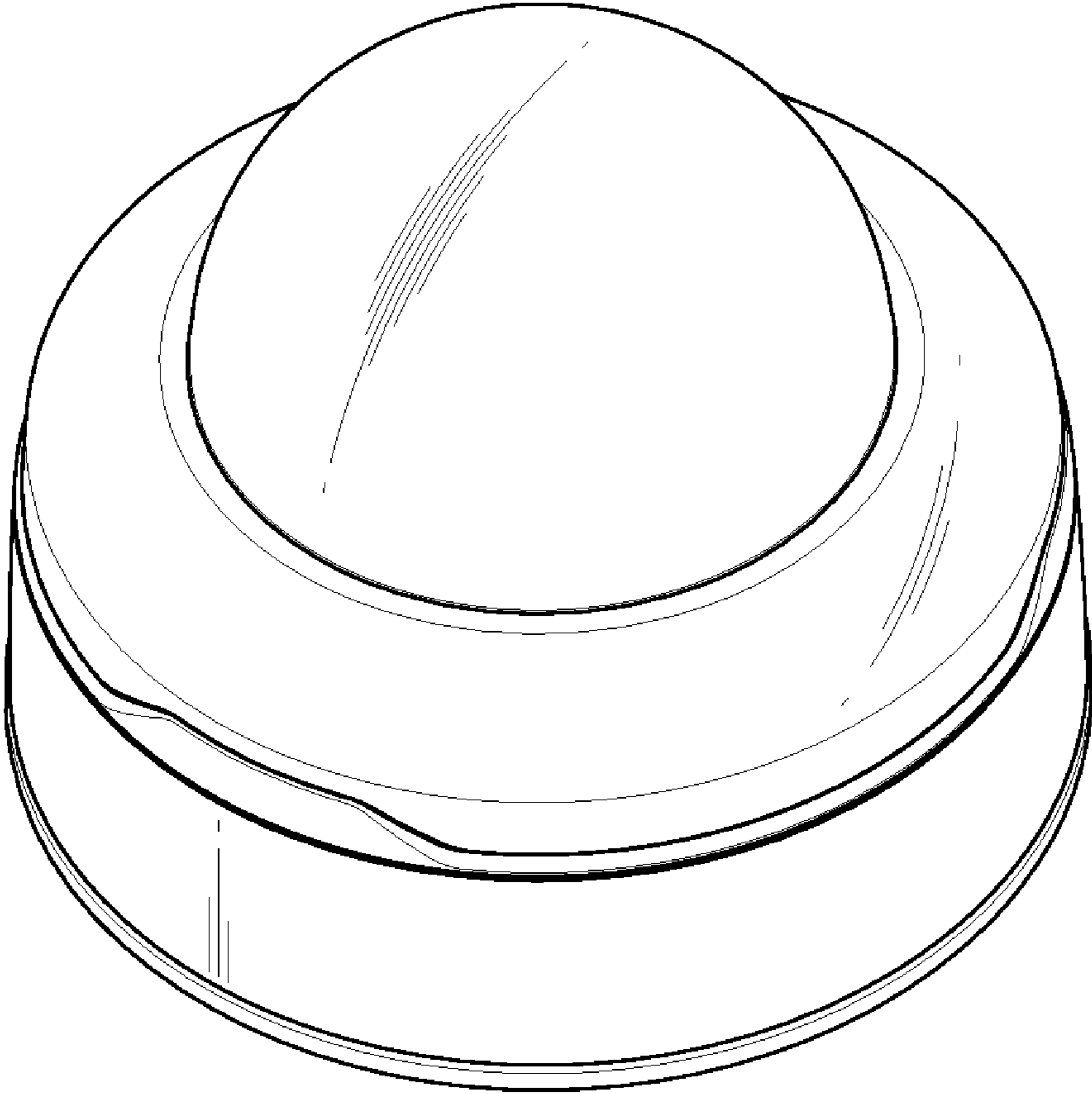
U.S. PATENT DOCUMENTS

6,715,940 B2 \* 4/2004 Top et al. .... 396/427  
D494,992 S \* 8/2004 Seo ..... D16/203  
D497,927 S \* 11/2004 Arbuckle et al. .... D16/203  
D560,244 S \* 1/2008 Naruki ..... D16/203  
D564,557 S \* 3/2008 Yamamoto et al. .... D16/203

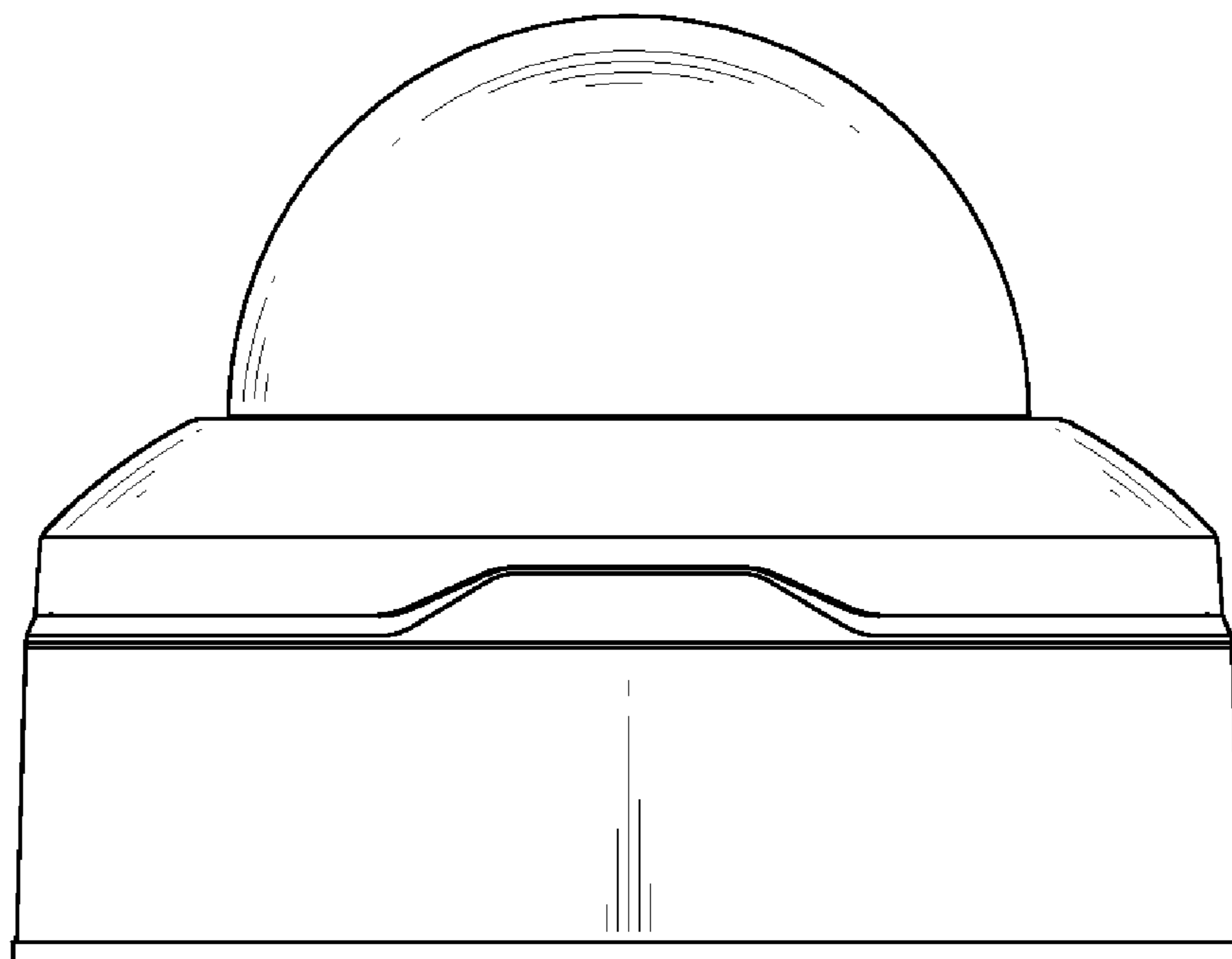
**1 Claim, 7 Drawing Sheets**



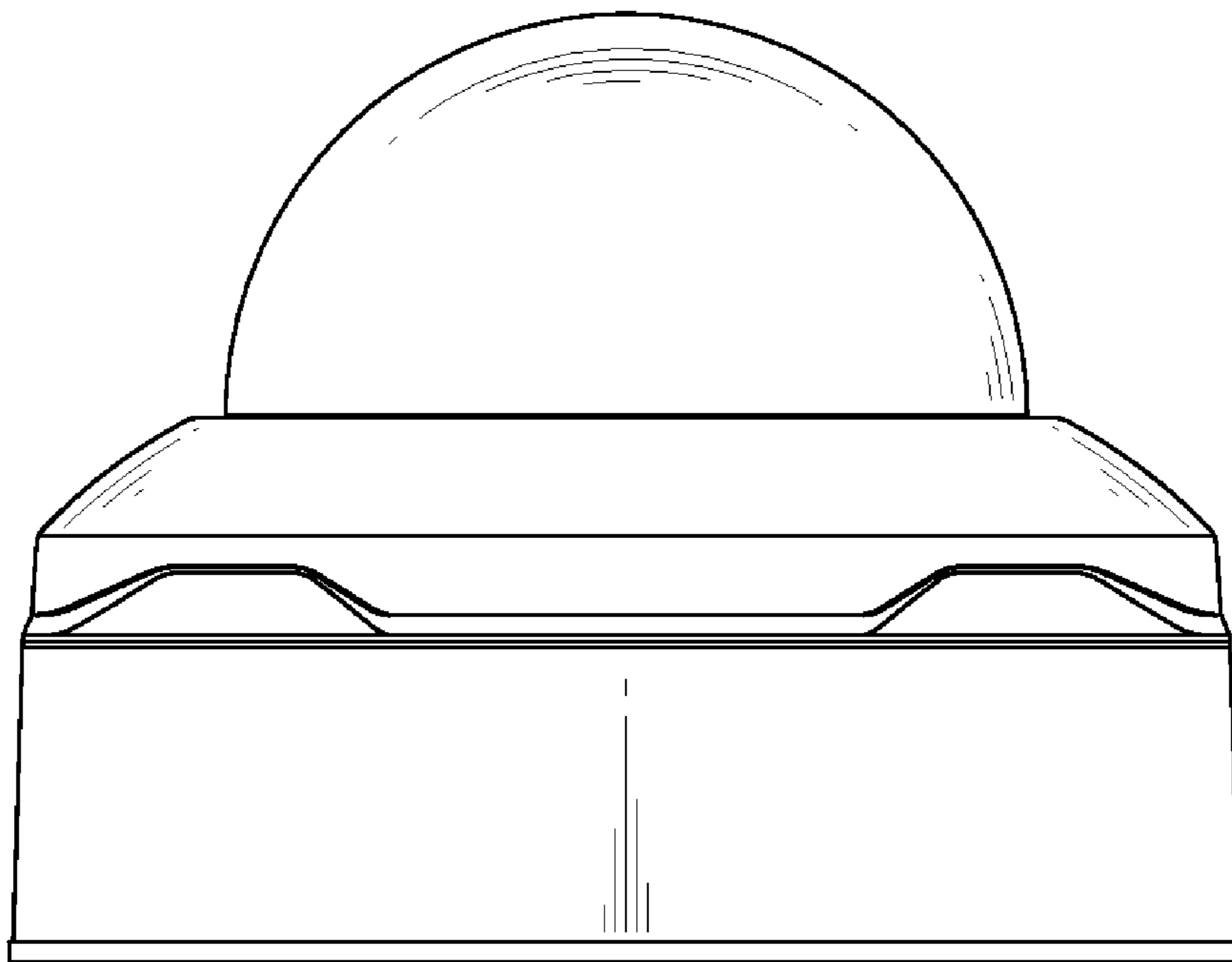
# FIG. 1



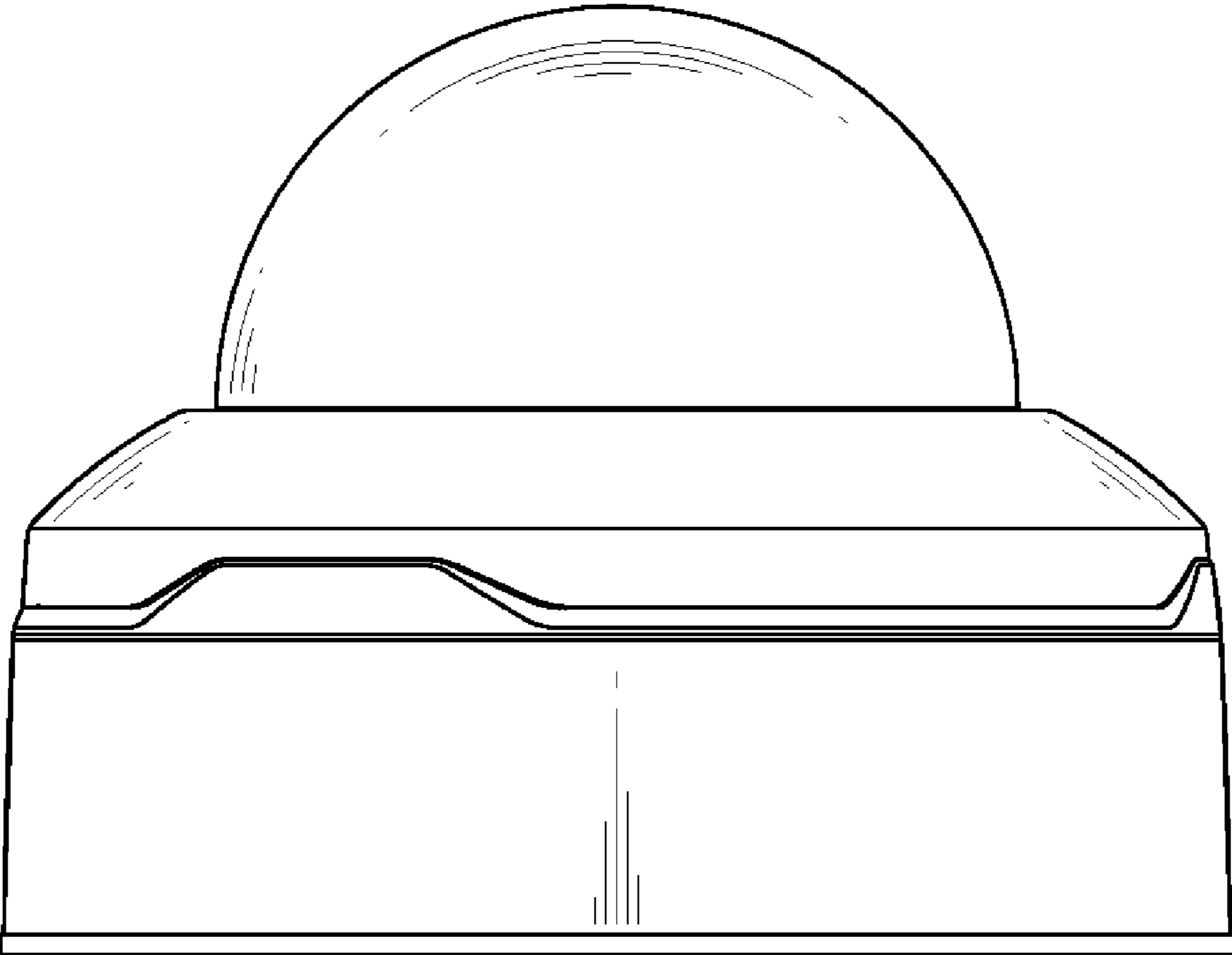
# FIG. 2



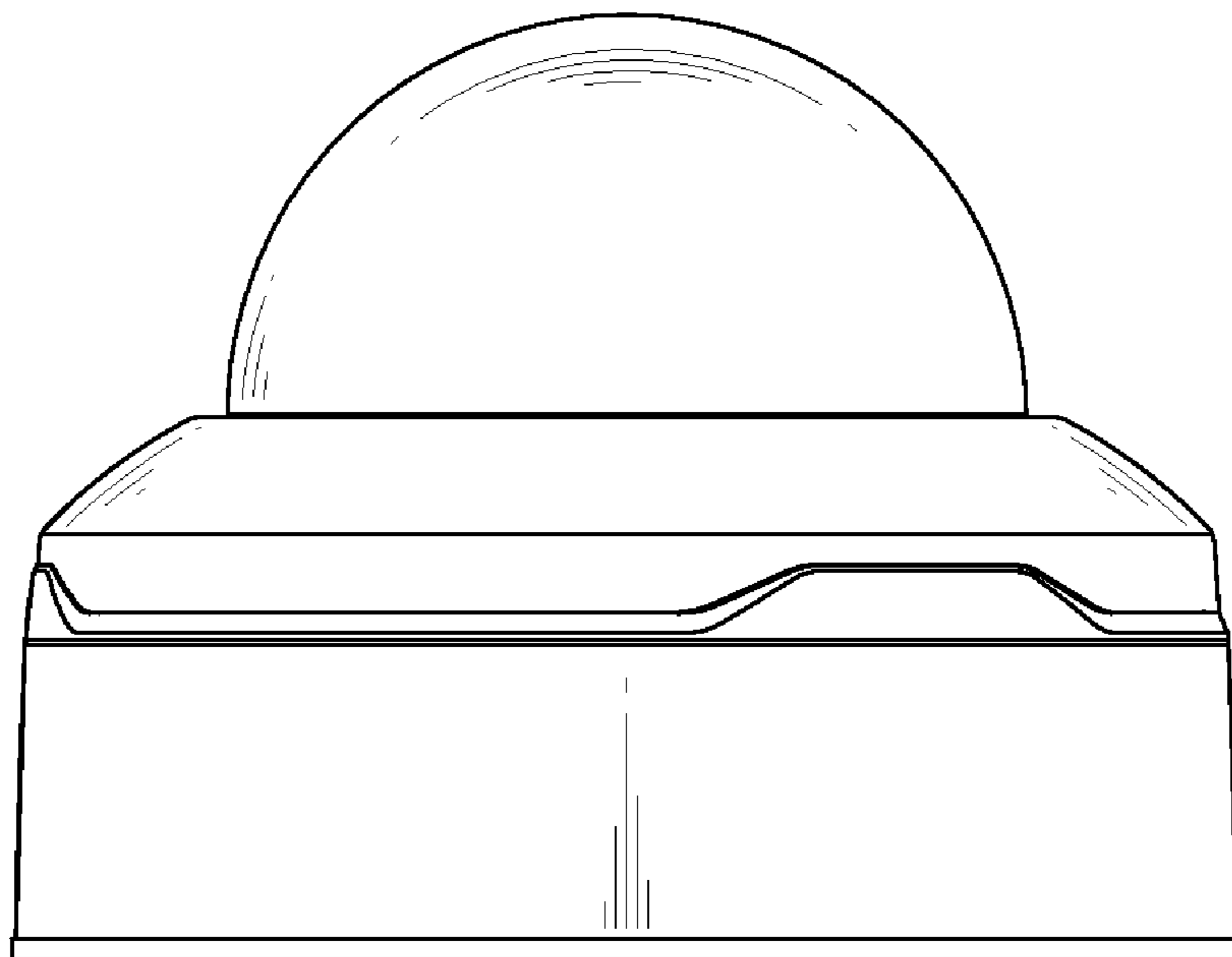
# FIG. 3



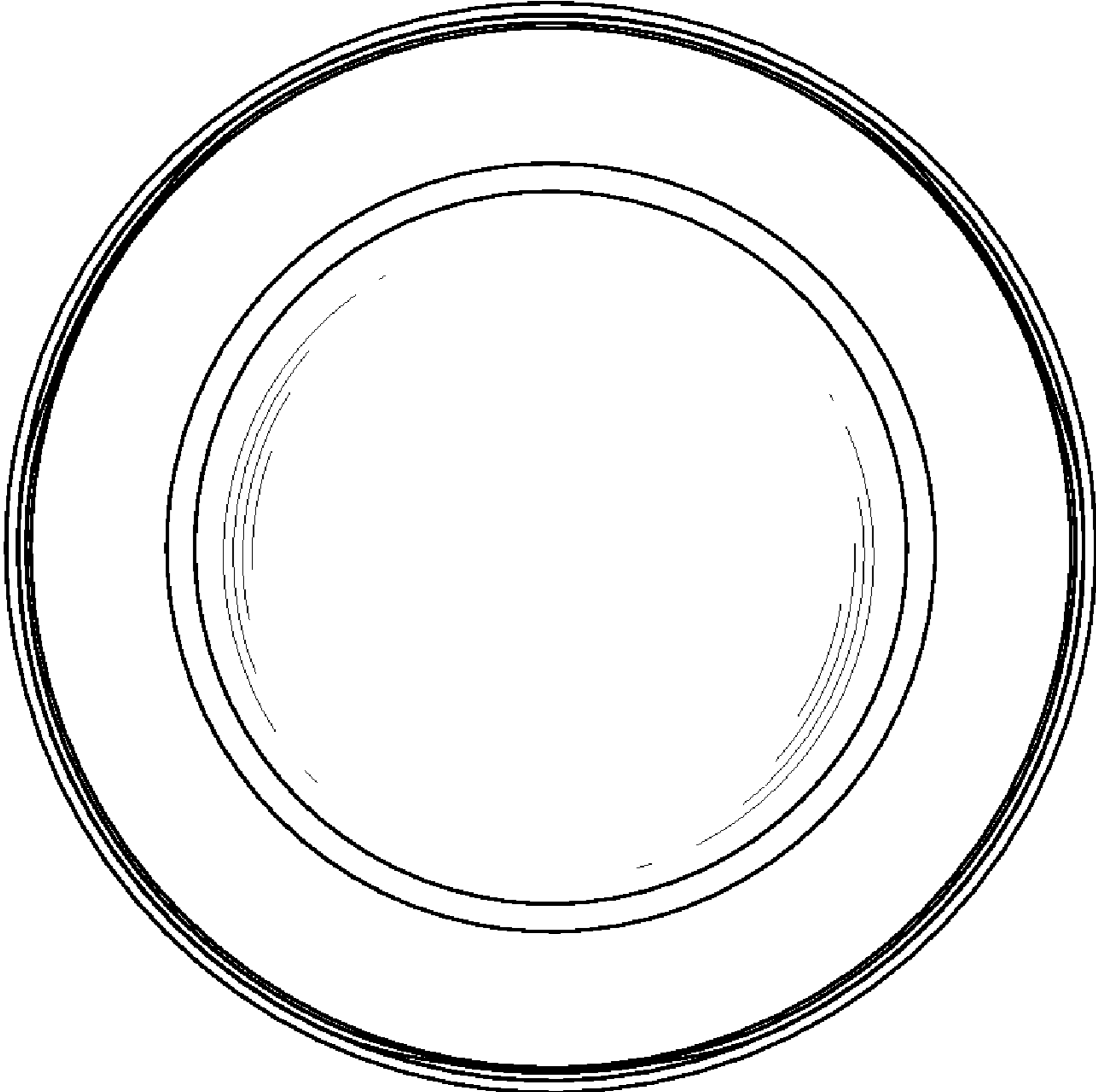
# FIG. 4



# FIG. 5



**FIG. 6**



# FIG. 7

